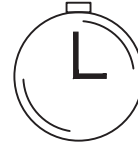
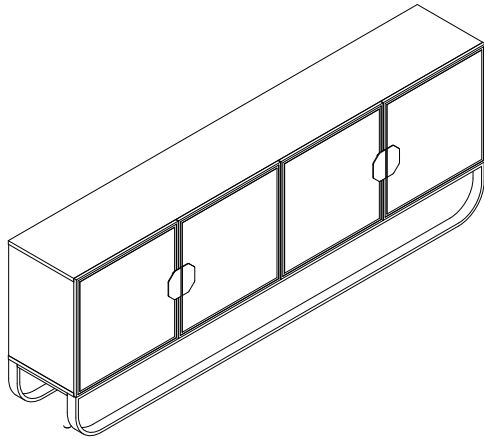




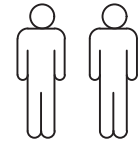
# INSPIREDHOME®

## NSD423-09-4 Assembly Instructions

REYANSH



1 hour



2 workers

### Hardware

### Parts

NO.	Picture	Description	Size(cm)	QTY	NO.	Picture	Description	Size(mm)	QTY
1		Top Panel	239.3x383x1.8	1	A		Wood Bolt	M8x30	28
2		Bottom Board	239.3x383x1.8	1	B		Fitting	M7x35	32
3		Left Board	56.4x38.1x1.8	1	C		Fitting	M15x12	32
4		Right Board	56.4x38.1x1.8	1	D		Allen Key	M4	1
5		Back Board	235.5x56.4x1.5	1	E		Anti-dumping	150x28x3	2
6		Middle Board	56.4x36.5x1.8	2	F		Bolt	M4x25	8
7		Middle Board	56.4x36.5x1.8	1	G		Handle	144x72x19	4
8		Door	59.6x59.6x1.5	4	H		Magnetic touch	46x17x14	4
9		Shelf	56.5x36x1.5	2	I		Shelf Support	M4x18	16
10		Shelf	57.7x36.1x1.5	2	J		Wool mat	M35x3	10
11		metal Frame	238.9x25x9.8	2	K		Bolt	M6x25	20
12		Metal tube	29.3x5x1.5	4	L		Screw	M3.5x15	112
					M		Hinge	105x60x12	8
					N		Hinge	105x60x12	8
					O		PVC cover	Φ20x1	32
					P		Washer	M6x18	20

Overall Size:94.2"x15.7"x33.5"H

Do not tighten bolts until all screws are aligned then fully tighten

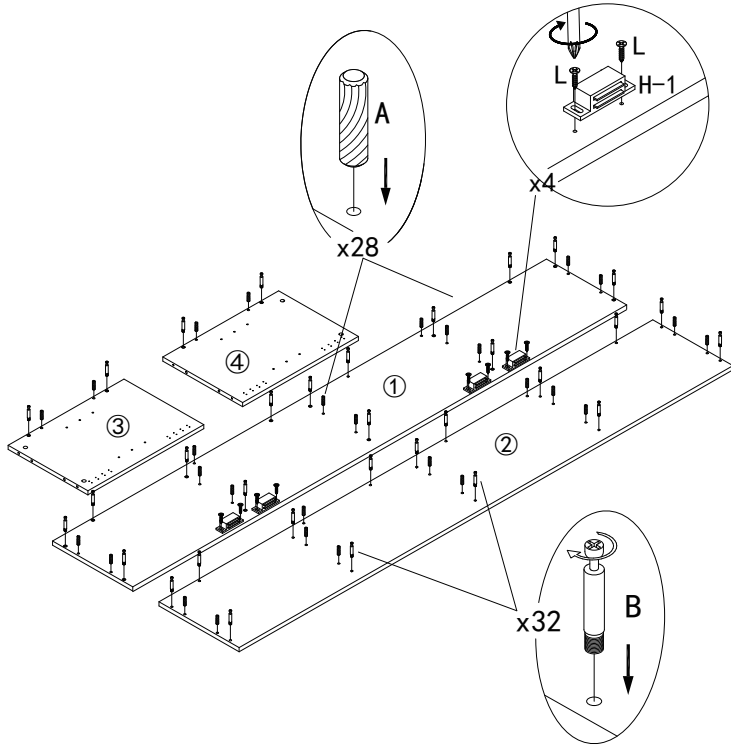


# INSPIREDHOME<sup>®</sup>

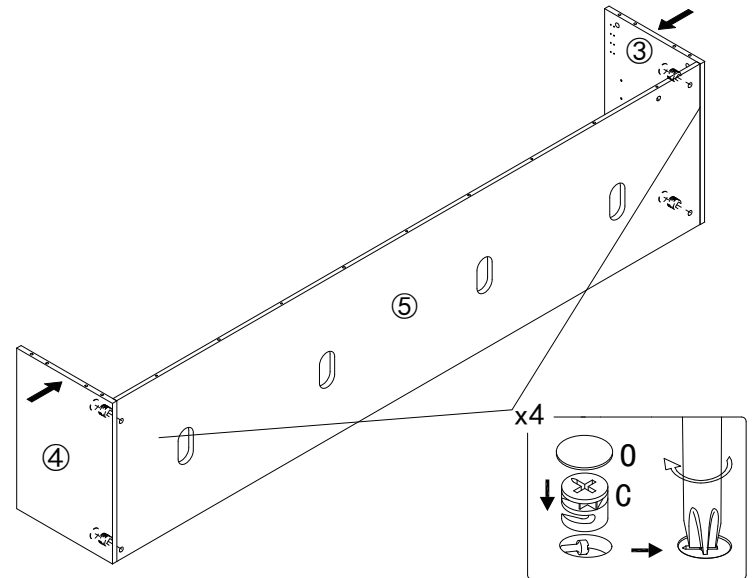
## NSD423-09-4 Assembly Instructions

REYANSH

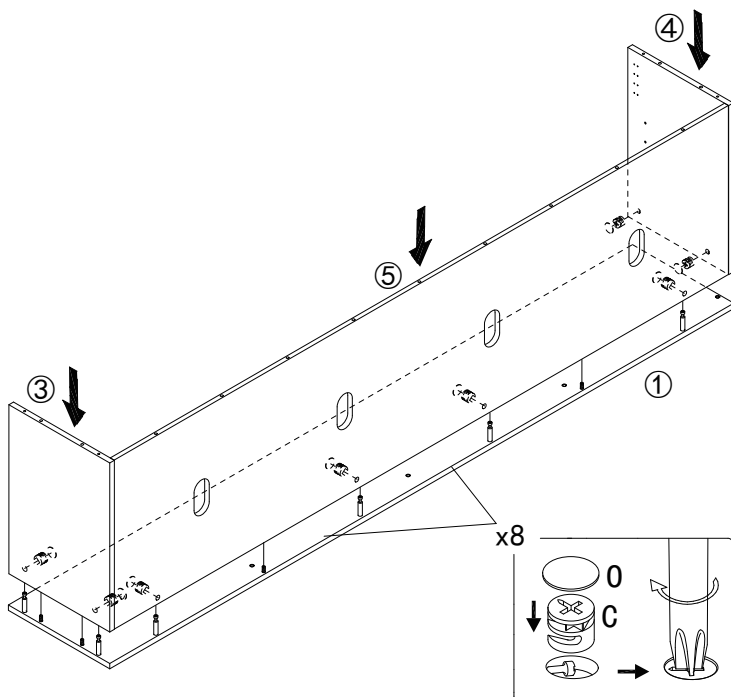
### STEP 1:



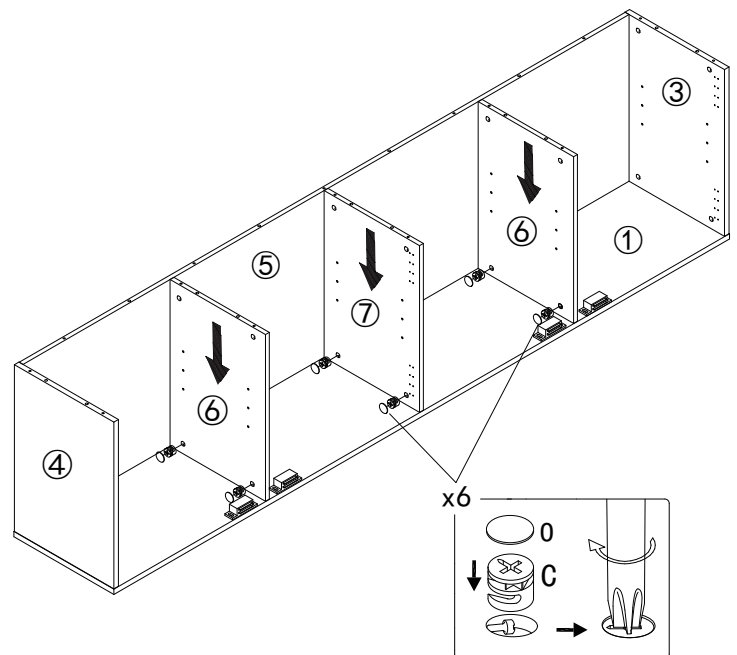
### STEP 2:



### STEP 3:



### STEP 4:



Overall Size: 94.2"x15.7"x33.5"H

Do not tighten bolts until all screws are aligned then fully tighten

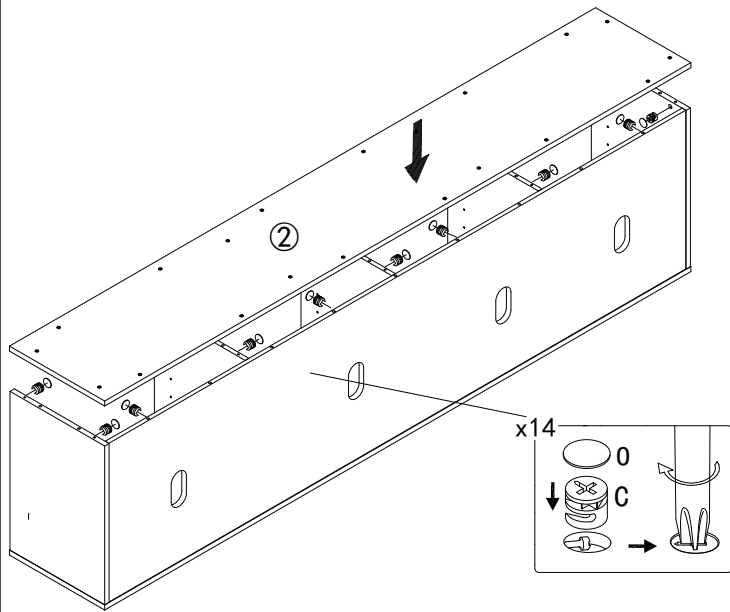


INSPIREDHOME®

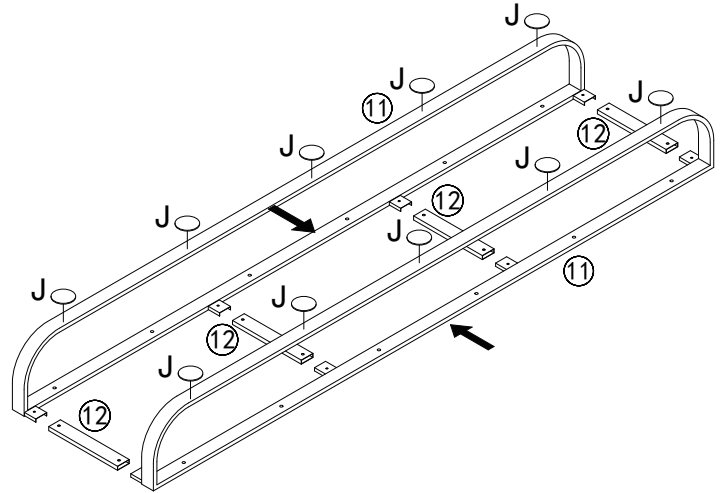
# NSD423-09-4 Assembly Instructions

REYANSH

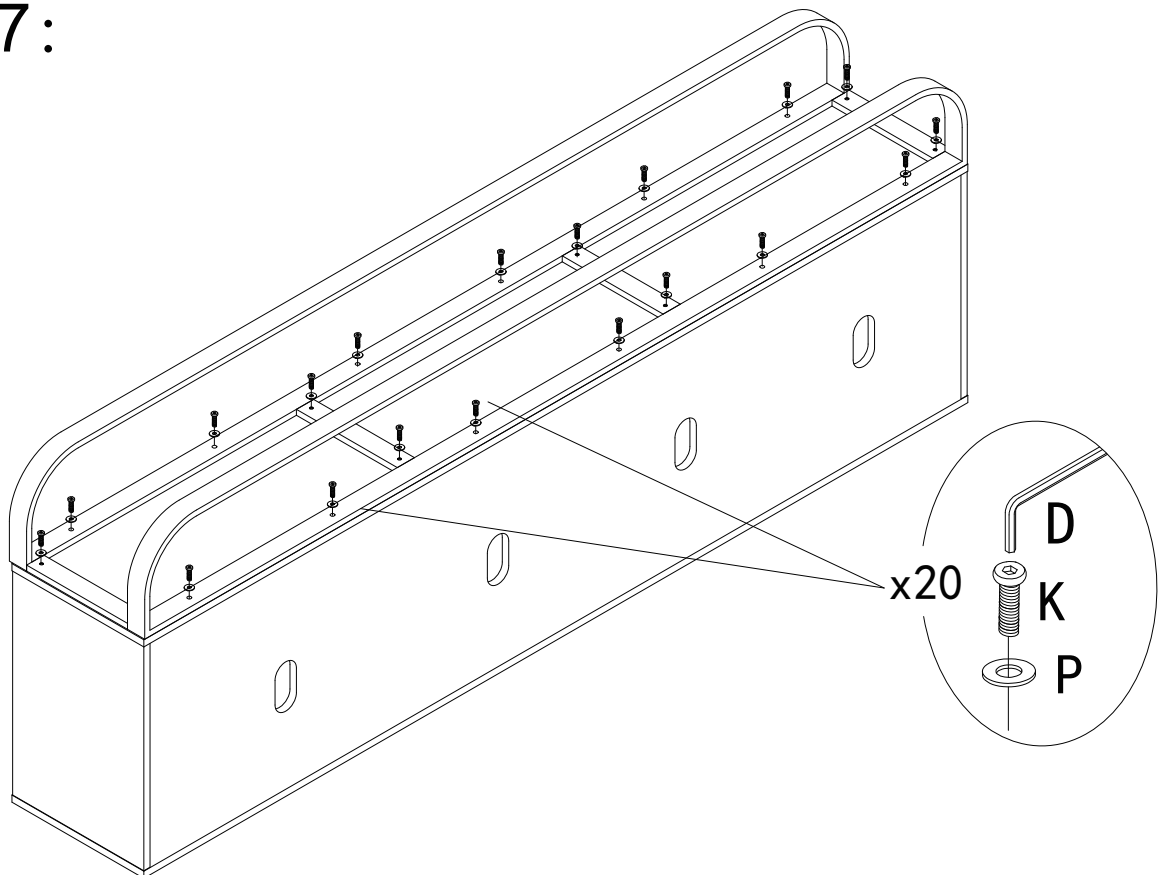
## STEP 5:



## STEP 6:



## STEP 7:



Overall Size:94.2"x15.7"x33.5"H

Do not tighten bolts until all screws are aligned then fully tighten



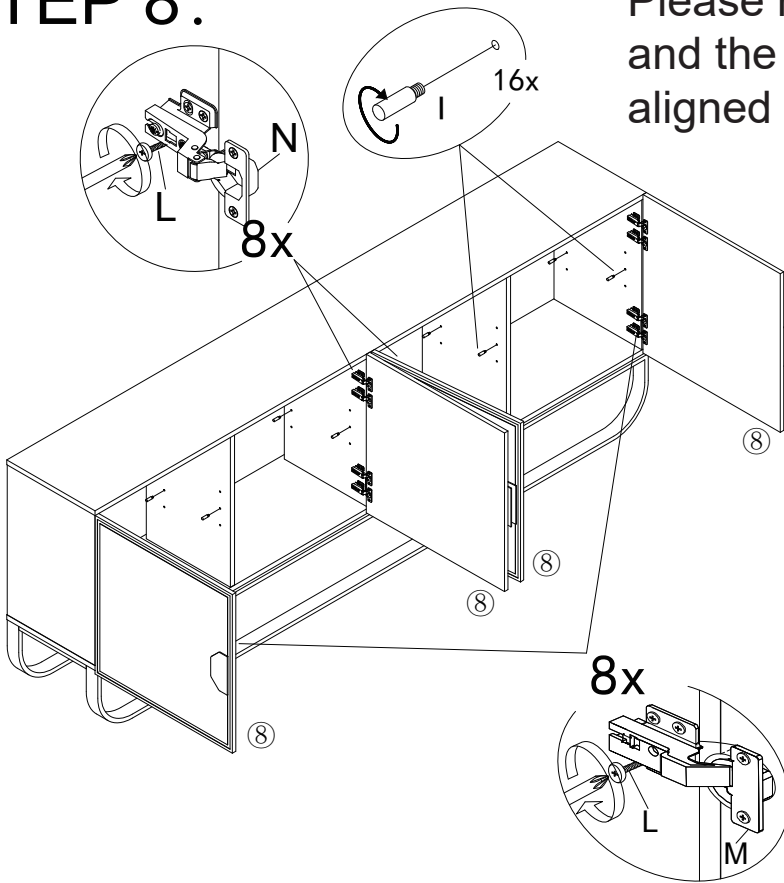
# INSPIREDHOME®

## NSD423-09-4 Assembly Instructions

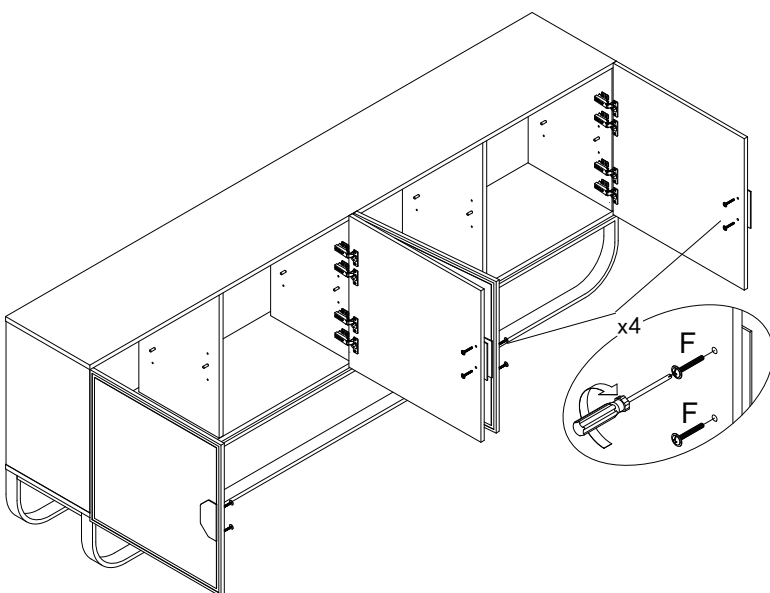
REYANSH

### STEP 8:

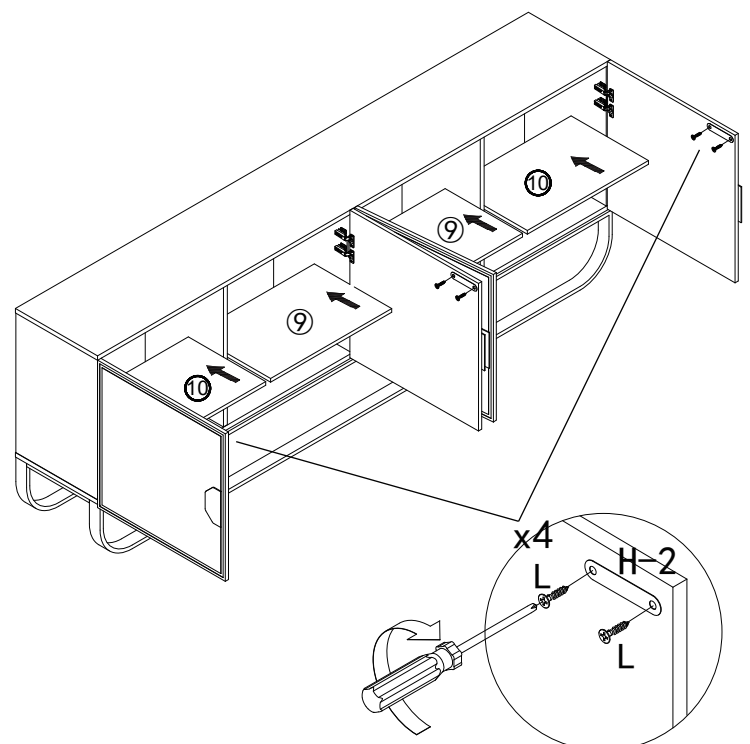
Please make sure the door is vertical and the hardware fit the hole with properly aligned then full tighten



### STEP 9:



### STEP 10:



Overall Size:94.2"x15.7"x33.5"H

Do not tighten bolts until all screws are aligned then fully tighten

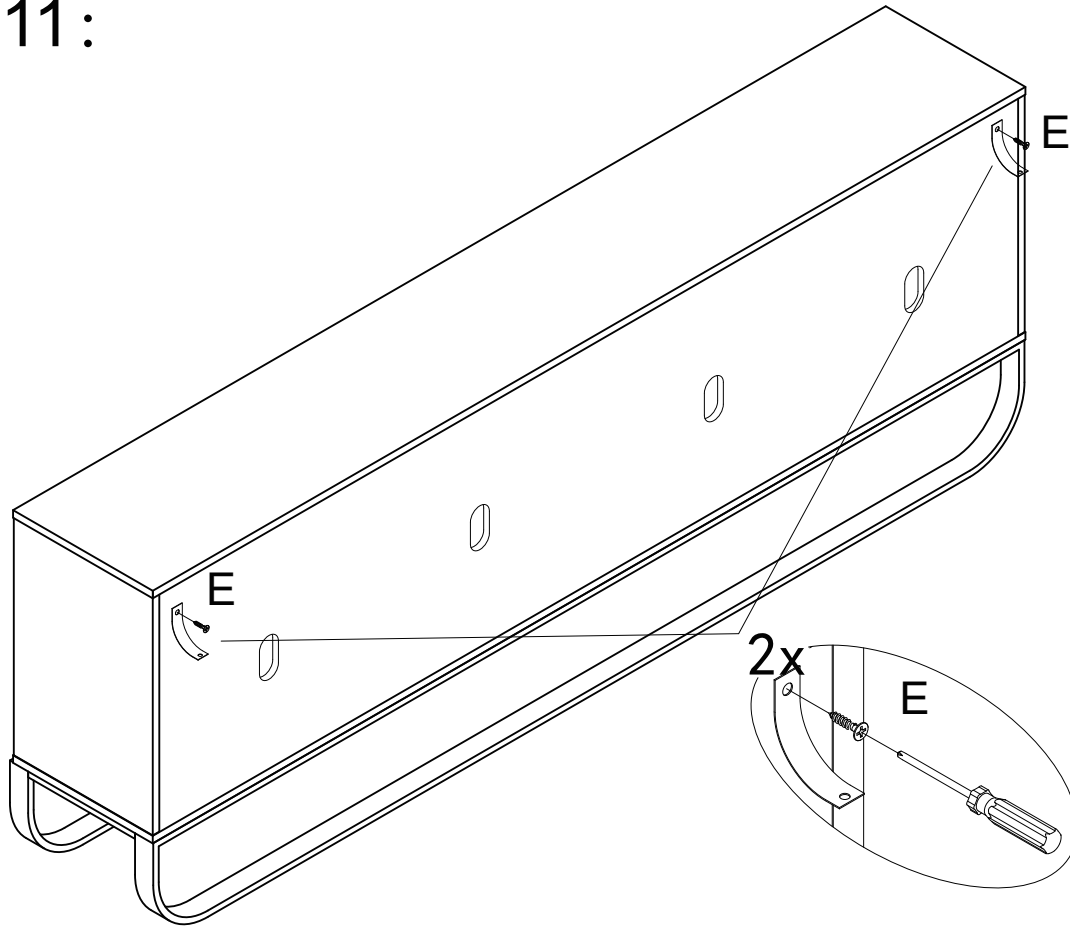


INSPIREDHOME®

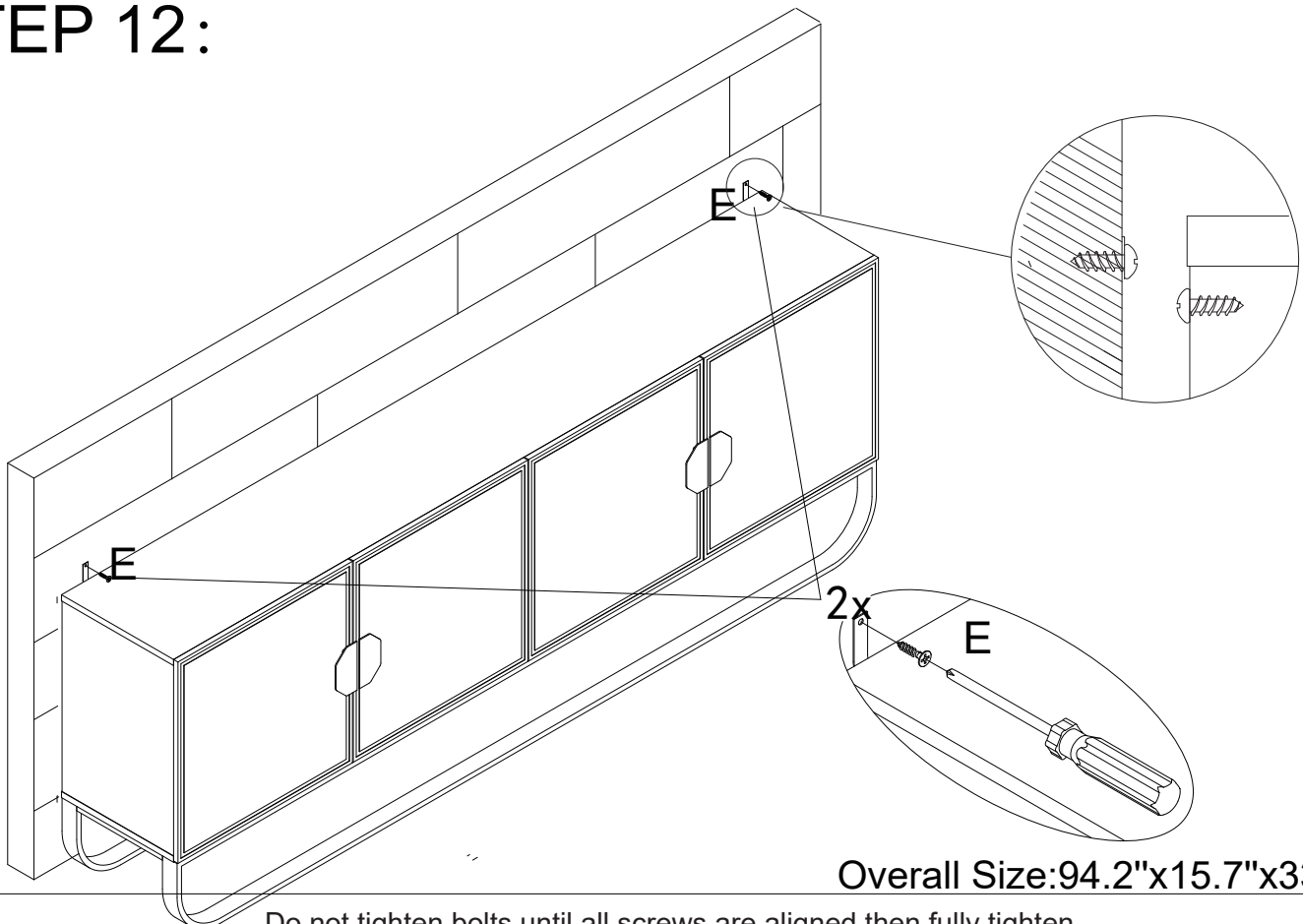
# NSD423-09-4 Assembly Instructions

REYANSH

## STEP 11:



## STEP 12:



Do not tighten bolts until all screws are aligned then fully tighten



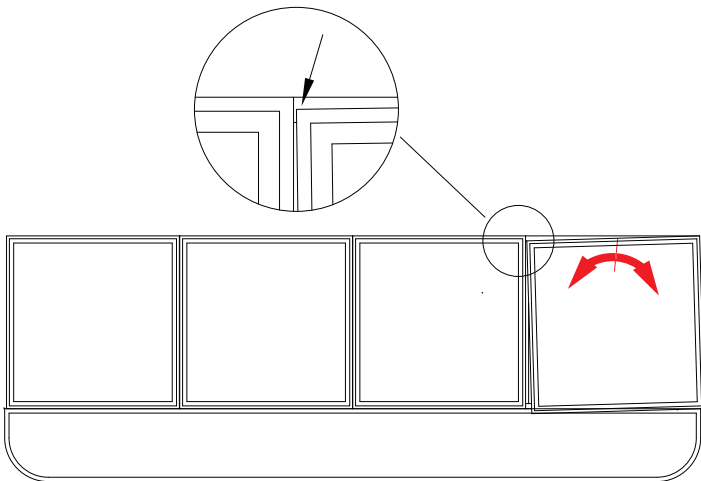
### Hinges Adjustment Facilities



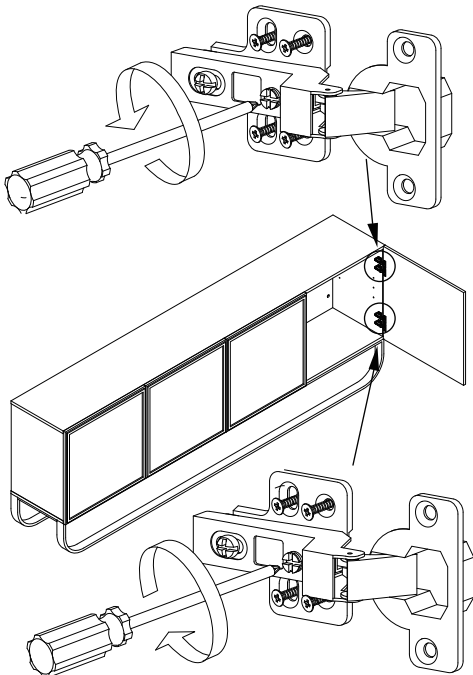
Warning : To ensure all hinges continue to work smoothly, pls check them regularly and adjust them necessary.

#### Question 1

How to adjust the two door are not aligned and lower with screw adjustment?



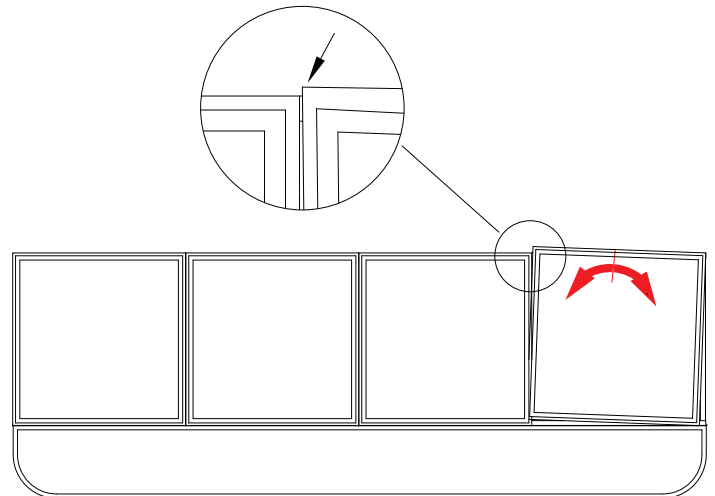
Turn left middle bolt adjuster properly until door is balanced



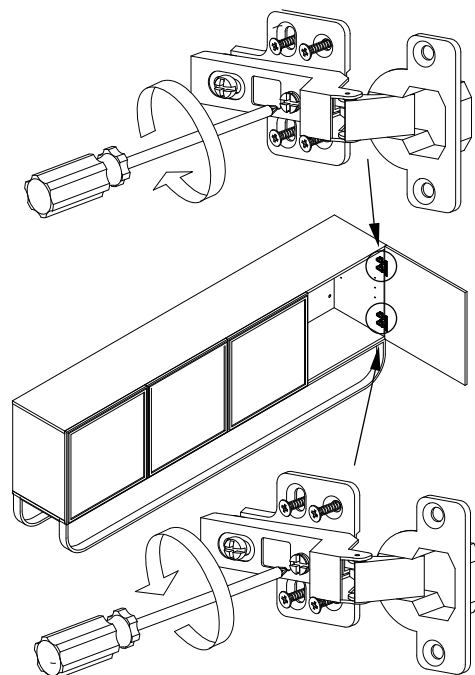
Turn right middle bolt adjuster properly until door is balanced

#### Question 2

How to adjust the two door are not aligned and higher with screw adjustment?



Turn right middle bolt adjuster properly until door is balanced



Turn left middle bolt adjuster properly until door is balanced

Do not tighten bolts until all screws are aligned then fully tighten



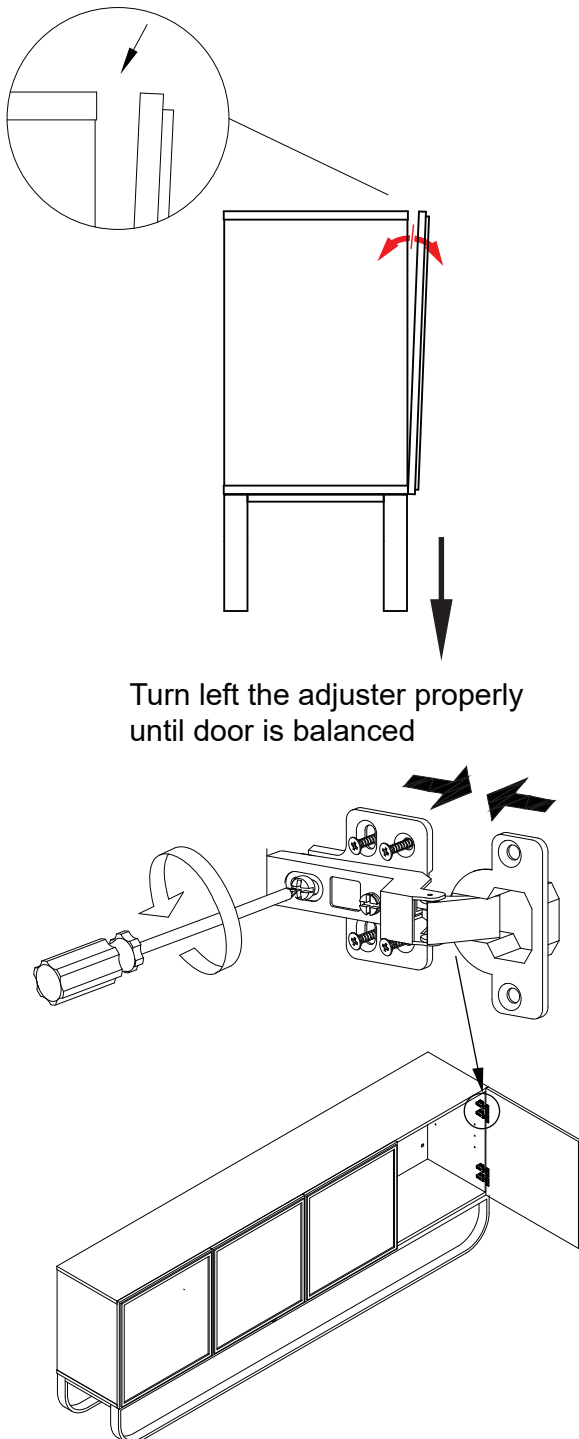
## Hinges Adjustment Facilities



Warning : To ensure all hinges continue to work smoothly, pls check them regularly and adjust them necessary.

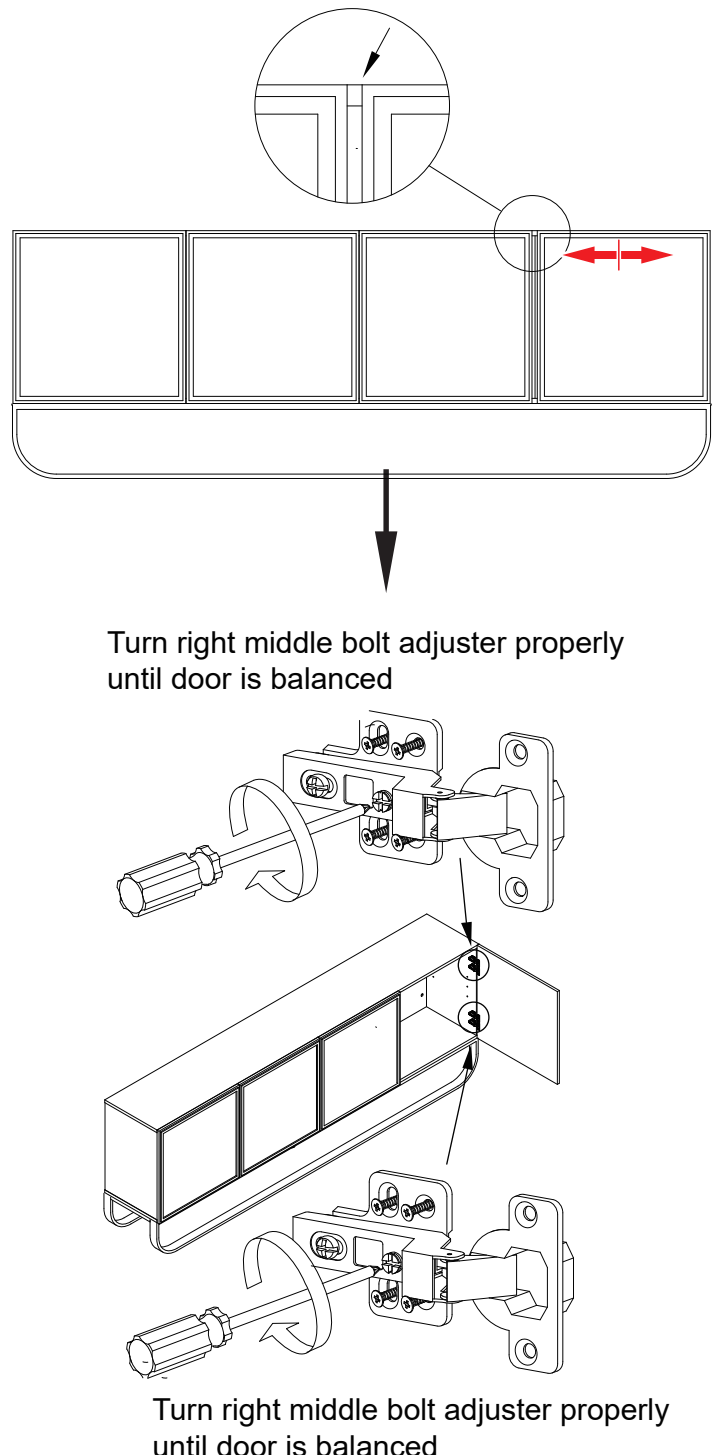
### Question 3

How to adjust the door gap at side with screw adjustment?



### Question 4

How to adjust the door gap at front with screw adjustment?



Do not tighten bolts until all screws are aligned then fully tighten