

ASSEMBLY INSTRUCTION

P 2

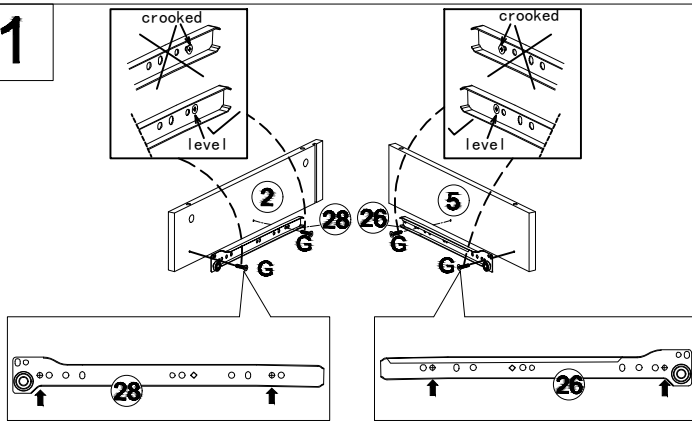
①	x1	②	x1	③	x1		
④	x1	⑤	x1	⑥	x1		
⑦	x1	⑧	x1	⑨	x1		
⑩	x1	⑫	x2	⑭	x2		
⑮	x2	⑯	x2	⑰	x2		
⑳	x2	㉑	x2	㉒	x2	㉓	x2

A	x14	B	x14	C	x6	D	x3	E	x10	F	x4	G	x16
Φ6x36mm		Φ15mm		Φ7x38mm		Φ8x30mm		M6x15mm		M6x40mm		Φ3.5x12mm	
H	x8	J	x4	K	x2	L	x1	M	x4	N	x10	O	x1
Φ4x35mm		M4x20mm				4mm		80x15mm		M6			

ASSEMBLY INSTRUCTION

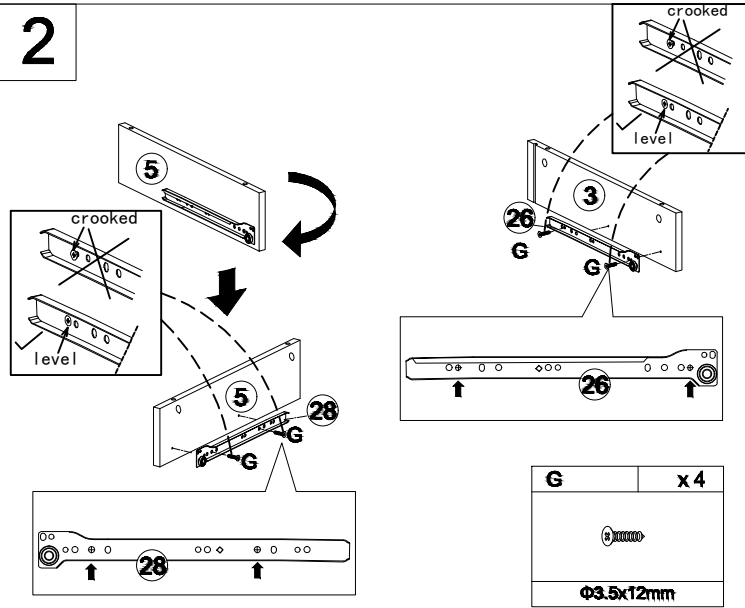
P 3

1



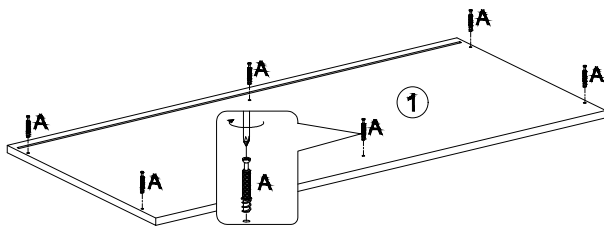
G	x4
Φ3.5x12mm	

2



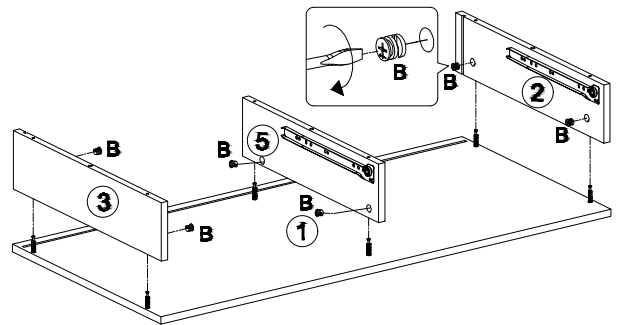
G	x4
Φ3.5x12mm	

3



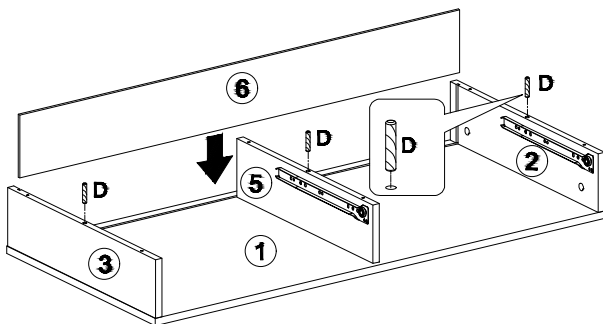
A	x6
Φ6x36mm	

4



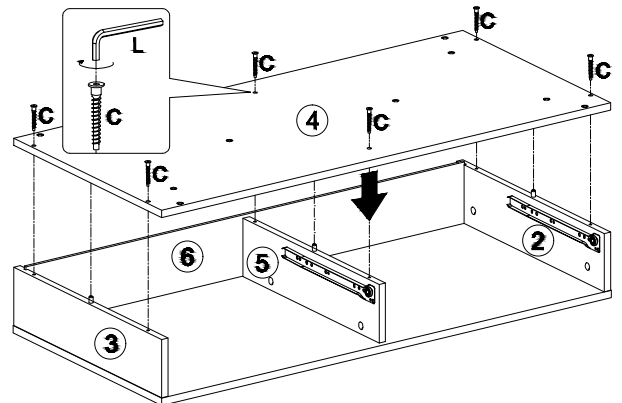
B	x6
Φ15mm	

5



D	x3
Φ8x30mm	

6

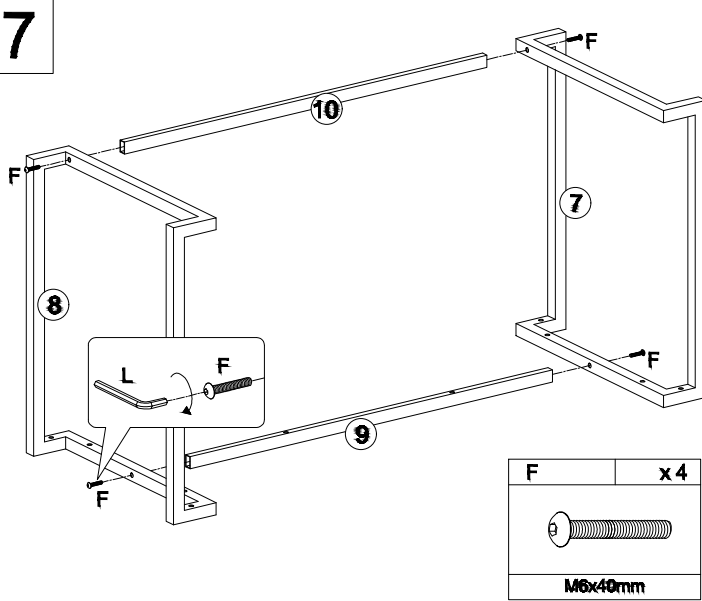


C	x6
Φ7x30mm	

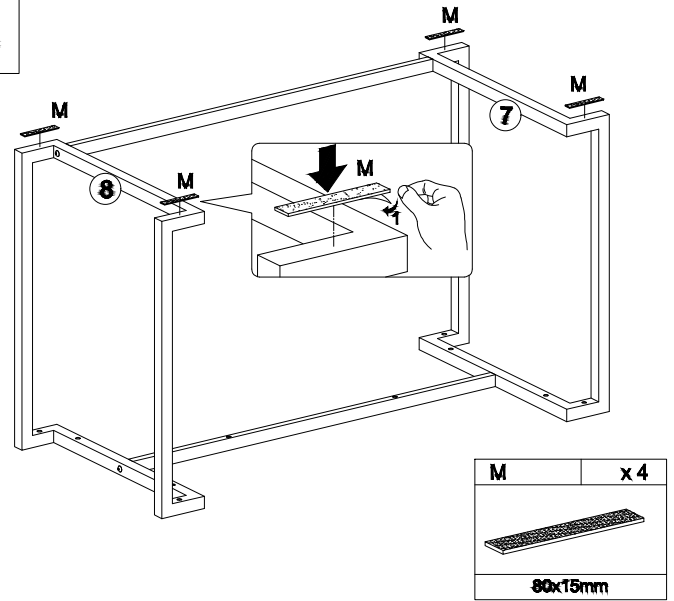
ASSEMBLY INSTRUCTION

P 4

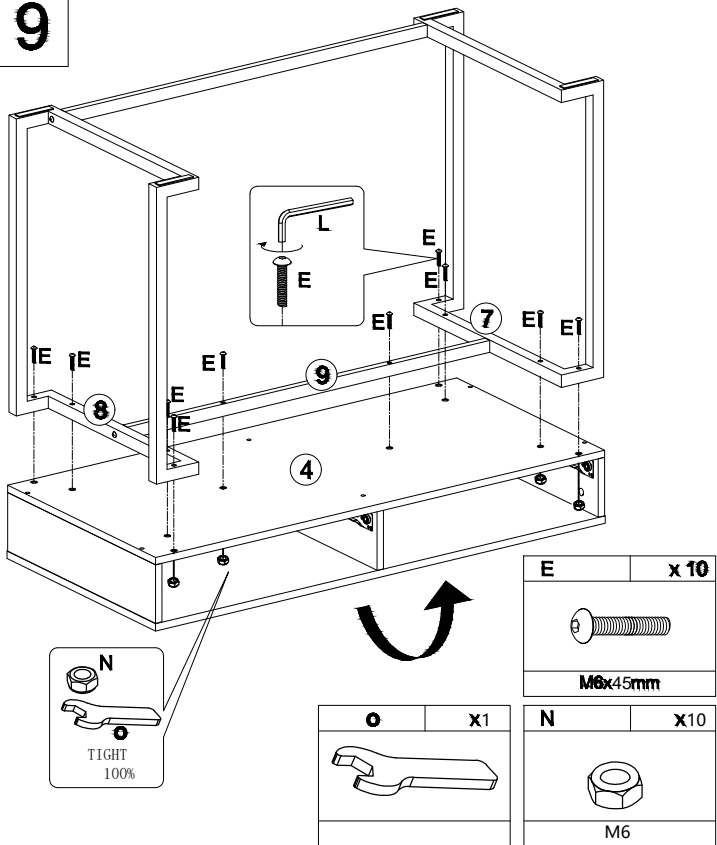
7



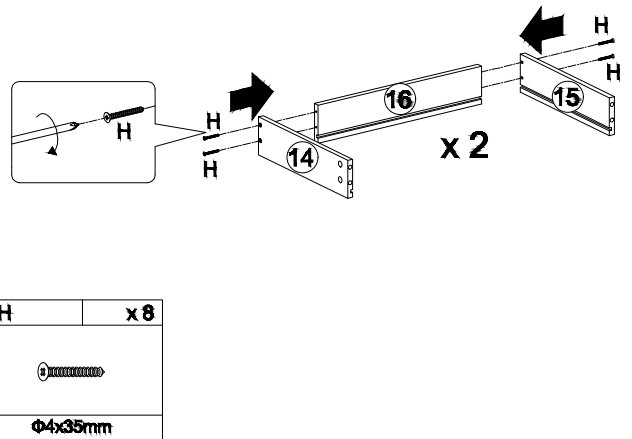
8



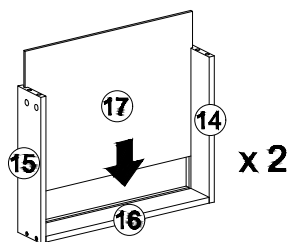
9



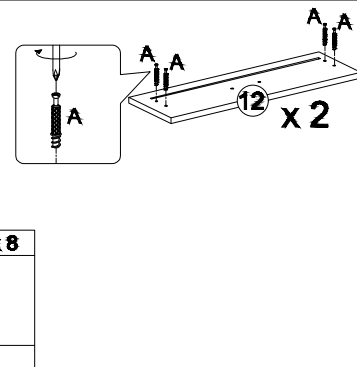
10



11



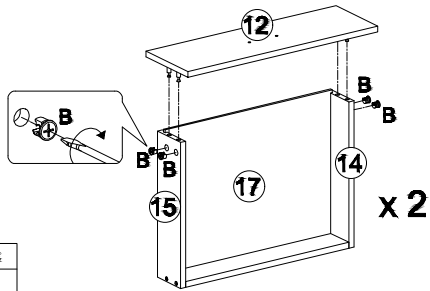
12




ASSEMBLY INSTRUCTION

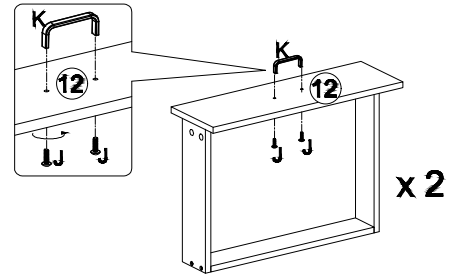
P 5


13




B	x 8
	
Ø15mm	

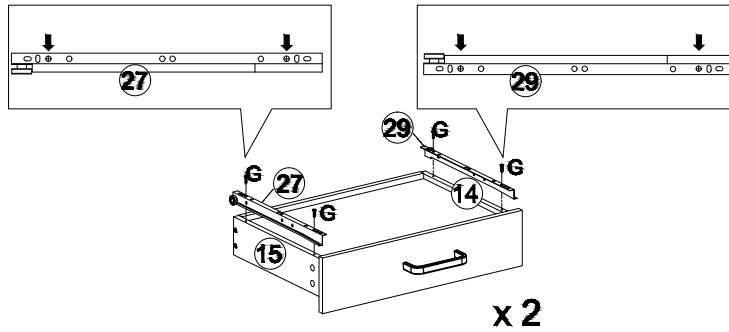
14




J	x 4
	
M4x20mm	

K	x 2
	

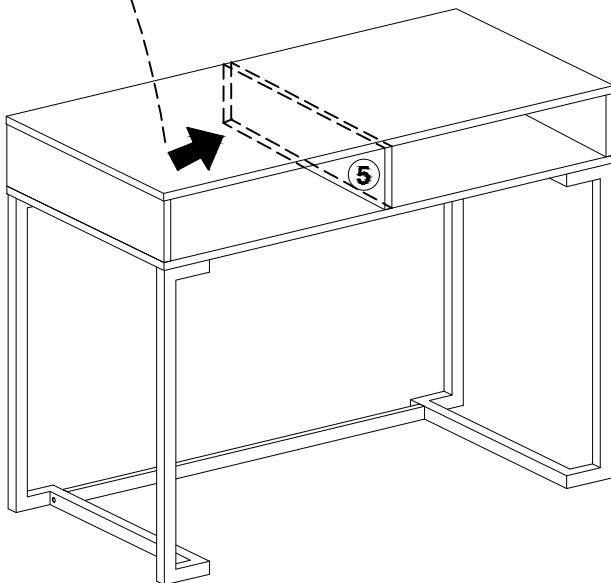
15



G	x 8
	
Ø3.5x12mm	

16

Tap the 5th board to the right, twice



17

