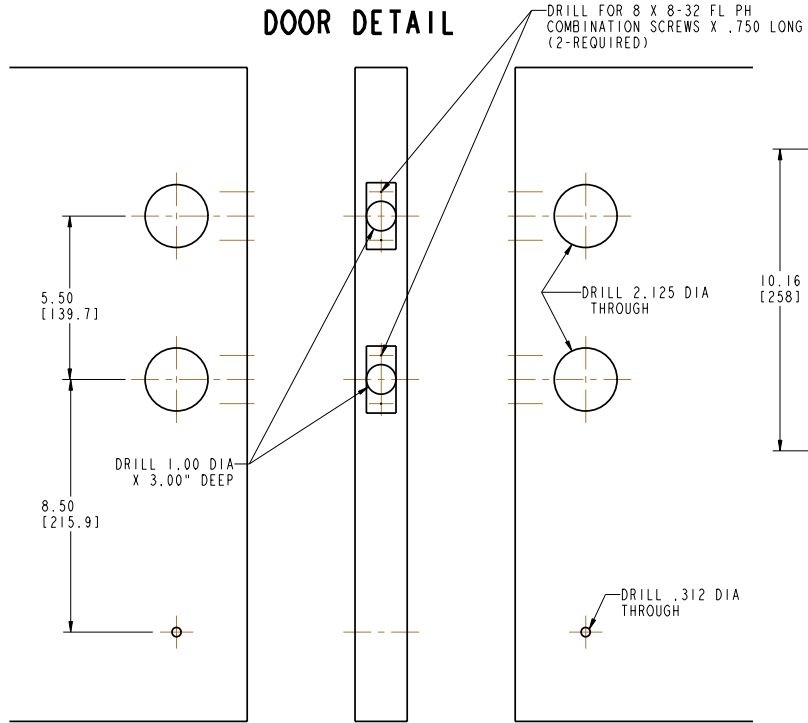


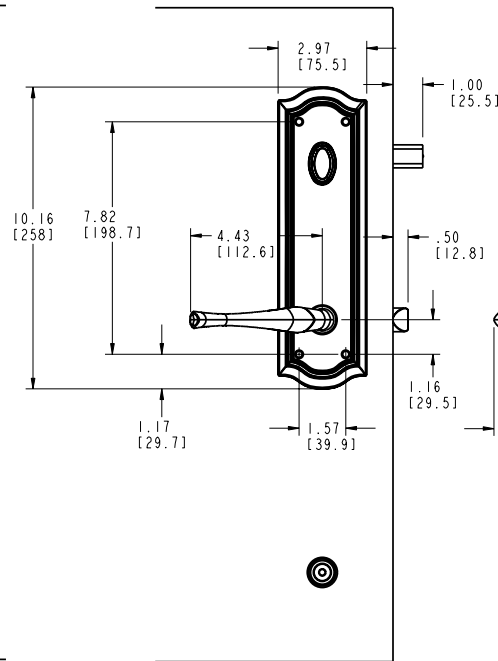
DOOR DETAIL



INSIDE

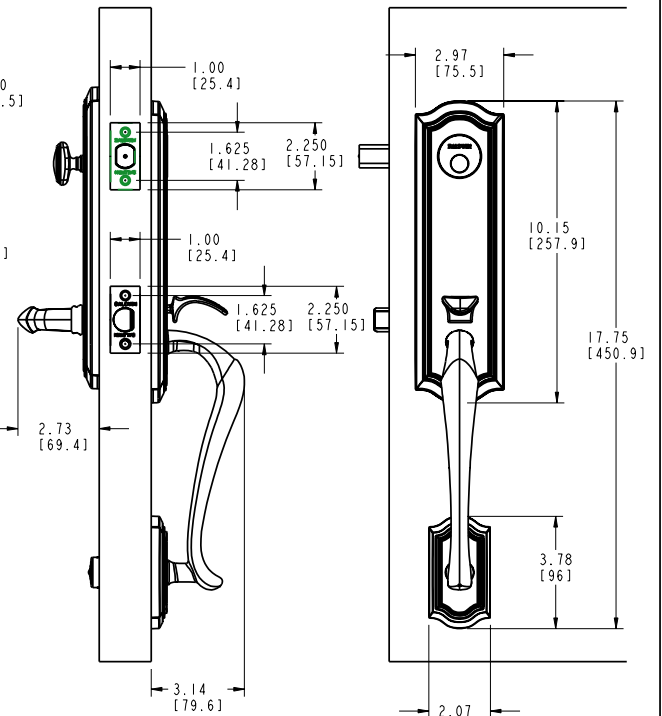
OUTSIDE

INSIDE

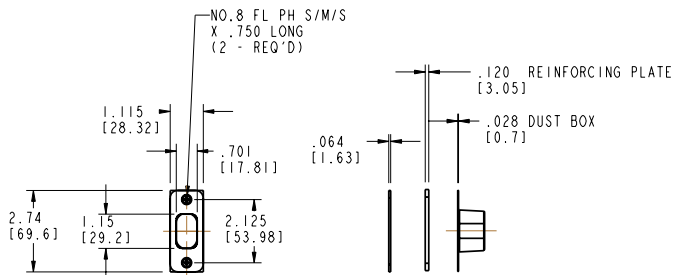


TRIM DETAIL

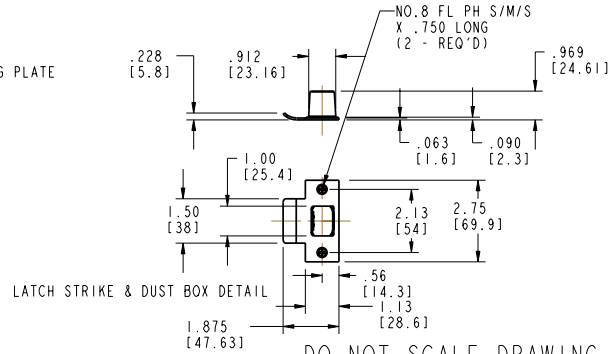
RIGHT HAND ILLUSTRATED



OUTSIDE



DEADBOLT STRIKE, REINFORCEMENT PLATE & DUST BOX DETAIL



LATCH STRIKE & DUST BOX DETAIL

DO NOT SCALE DRAWING

	BALDWIN HARDWARE CORPORATION <small>READING, PENNSYLVANIA</small>	BLACK & DECKER COMPANY
	85337 BETHPAGE TRIM	
TEMPLATE: NO VARIATIONS		TEMPLATE NO.
© 2006 BY BALDWIN HARDWARE CORPORATION		IM337

EFFECTIVE: 06/27/2007