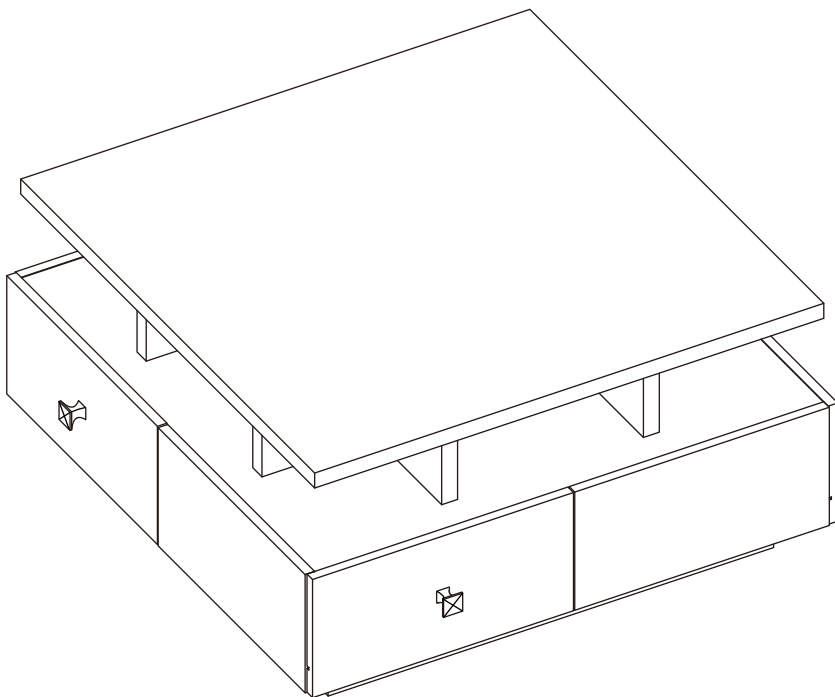


# ASSEMBLY INSTRUCTIONS

---



## TOOLS REQUIRED



**Hammer**  
(Not Included)



**Phillips  
Screwdriver**  
(Not Included)



**2 - Persons  
Recommended**

## ASSEMBLY RATING



EASY —————> DIFFICULT

The Assembly Rating is a 5-point system showing the level of effort needed to assemble a specific product.

Thank you for your purchase!

We hope you enjoy this new addition to your home for many years to come.

Our commitment to providing quality products does not simply end when you purchase our product. We fully stand behind our products from start to finish.



## CHECK BEFORE STARTING

### Are you missing anything?

Double-check all parts, hardware and accessories listed on Page 6 are accounted for.

### Check out our Quick Tips!

We recommend reviewing the pre-assembly handouts. Even experts need a refresher now and then!

### Should we send any replacements?

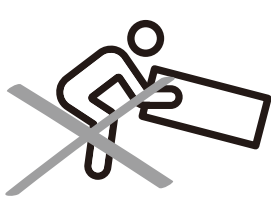
Are there any irregularities or flaws in the parts? We can send replacements!

### Prep Time!

Please review the assembly instructions and all diagrams prior to assembling. Arrange parts as recommended on Page 7 and group identical hardware together to make assembling easier.

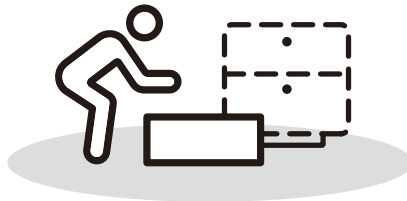
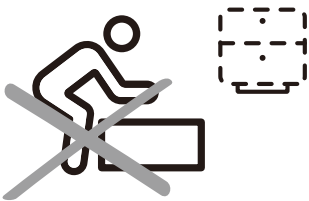
# PRE ASSEMBLY INTRODUCTION

We understand building ready-to-assemble furniture can be a challenging experience for some. To help avoid confusion, we have provided some helpful tips that may speed up the process.



## Teamwork

ALWAYS have at least two people to help with transporting and assembling the product to avoid potential injury and/or damage.



## Suitable Location

Assembling near the area of the intended location is highly recommended.



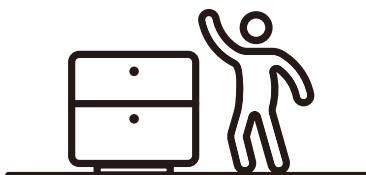
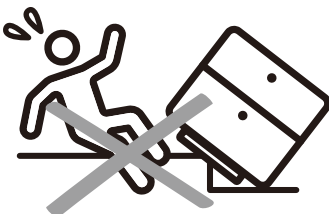
## Sufficient Space

Make sure you have enough space to move around during the assembly.



## Avoid Scratches

Use cardboard, blankets or a carpeted area while assembling furniture to prevent scratches.



## Flat Surface

Make sure the furniture rests on a flat and level surface with each leg evenly touching the floor.

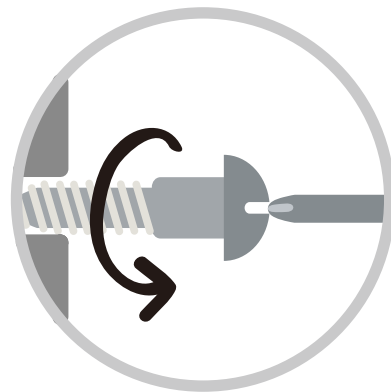
# ASSEMBLY AND CARE ADVICE



**FAILURE TO FOLLOW THE GUIDELINES BELOW MAY  
RESULT IN INJURY AND/OR PROPERTY DAMAGE.**



Position each part correctly  
and insert screws or bolts into  
their respective holes.



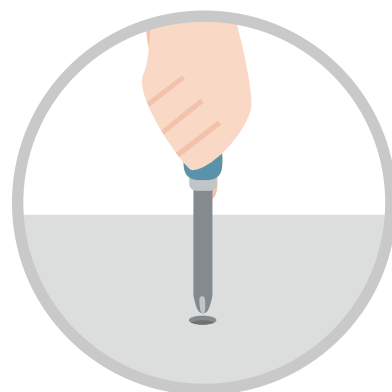
Turn clockwise to tighten and  
only tighten when step is  
completed or when instructed  
to do so.



Use the appropriate hand tools  
or power tools for assembly.  
Select steps, such as tightening  
screws and/or bolts, may require  
hand tools to avoid causing  
damage during assembly.



Save the instructions and store  
any supplied tools for later  
maintenance.



After two weeks, check and  
tighten any loose hardware and  
repeat again every six months  
thereafter.

**IT IS THE USER'S RESPONSIBILITY TO MAINTAIN THE FURNITURE. THE HARDWARE MAY LOOSEN OVER TIME AND MAY CAUSE THE FURNITURE TO BE WOBBLY AND UNABLE TO SUPPORT ITS INTENDED WEIGHT CAPACITY. THIS MAY LEAD TO COLLAPSE AND MAY CAUSE SERIOUS INJURY.**

# CAM LOCK FASTENER ASSEMBLY INSTRUCTIONS

## Note :

Every cam lock bolt must have a cam lock connector in order to fasten the parts together.



cam bolt



cam lock



screwdriver



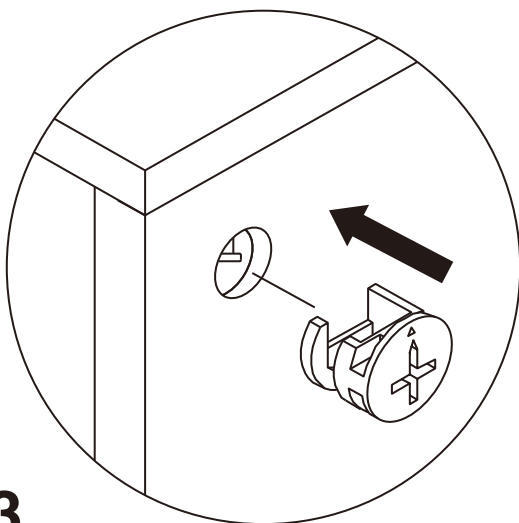
**1**

Screw the cam bolt into panel.



**2**

Insert the cam bolt into the bolt hole of joint panel.



**3**

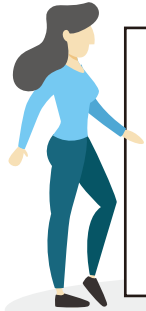
Align the cam lock with its side opening (or arrow) pointing to cam bolt.



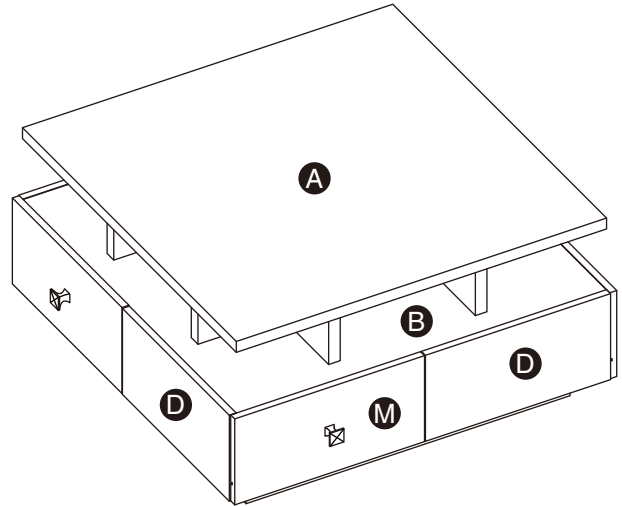
**4**

Turn the cam lock clockwise gently until it will not turn any more.

# COFFEE TABLE

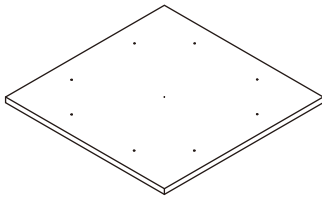


- Please keep instructions for future reference.
- Check the quantity and irregularity of parts and hardware before you start.

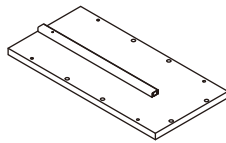


## PARTS

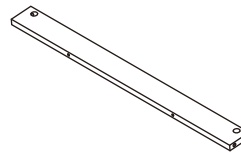
**A** 1PC



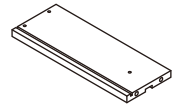
**D** 4PCS



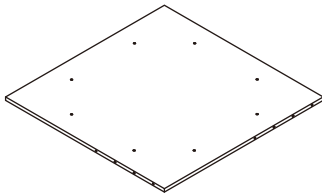
**G** 2PCS



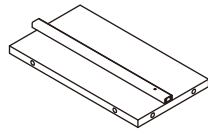
**K** 4PCS



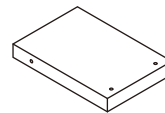
**B** 1PC



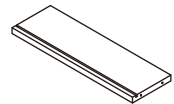
**E** 4PCS



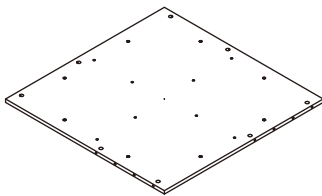
**H** 4PCS



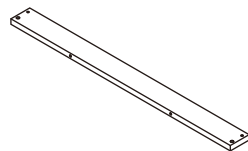
**L** 4PCS



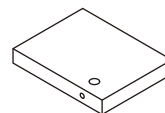
**C** 1PC



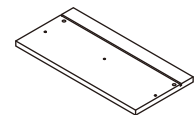
**F** 2PCS



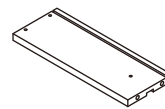
**I** 4PCS



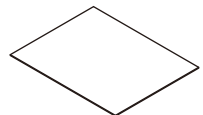
**M** 4PCS



**J** 4PCS



**N** 4PCS



## HARDWARE

① 36PCS ② 36PCS ③ 52PCS ④ 16PCS



⑤ 24PCS ⑥ 8PCS



## ACCESSORIES

A1 4PCS A2 4PCS A3 4PCS A4 1PC A5 16PCS



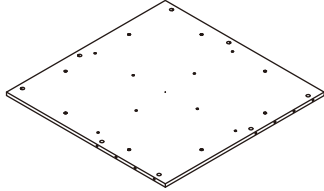
A6 1PC



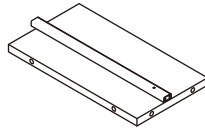
# Get Ready.

Please group boards as below.

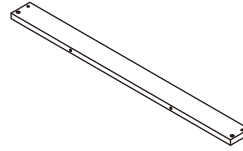
Ⓒ 1PC



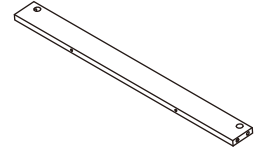
Ⓔ 4PCS



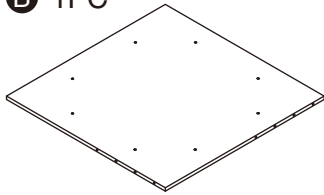
Ⓕ 2PCS



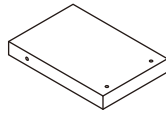
Ⓖ 2PCS



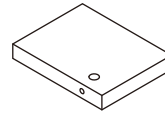
Ⓑ 1PC



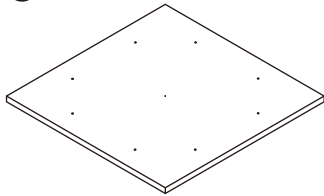
Ⓗ 4PCS



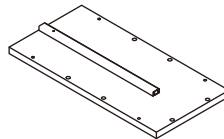
Ⓘ 4PCS



Ⓐ 1PC

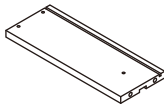


Ⓓ 4PCS

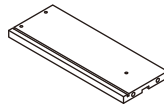


Body

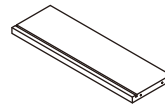
Ⓙ 4PCS



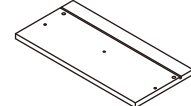
Ⓚ 4PCS



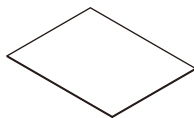
Ⓛ 4PCS



Ⓜ 4PCS



Ⓝ 4PCS

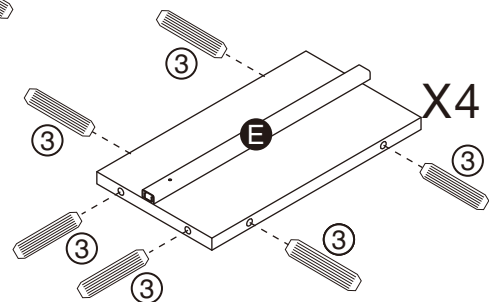
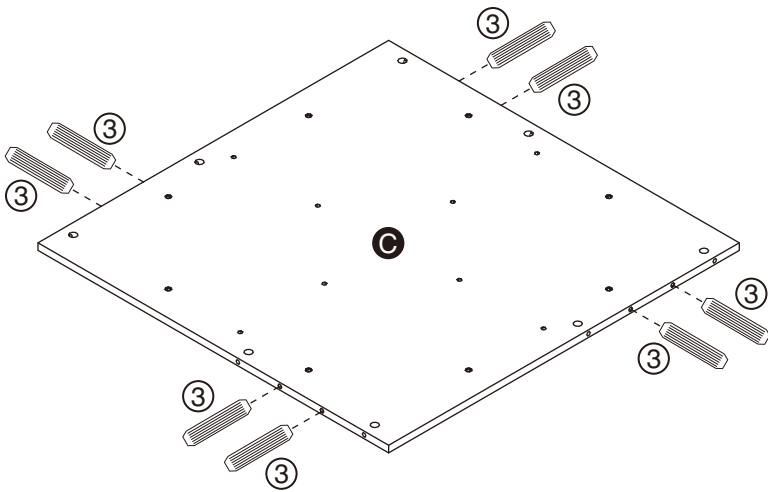
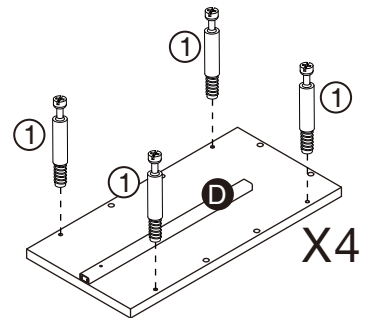
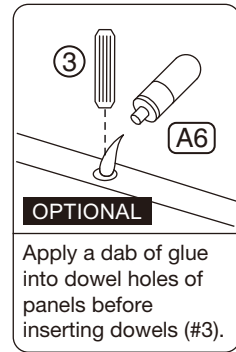
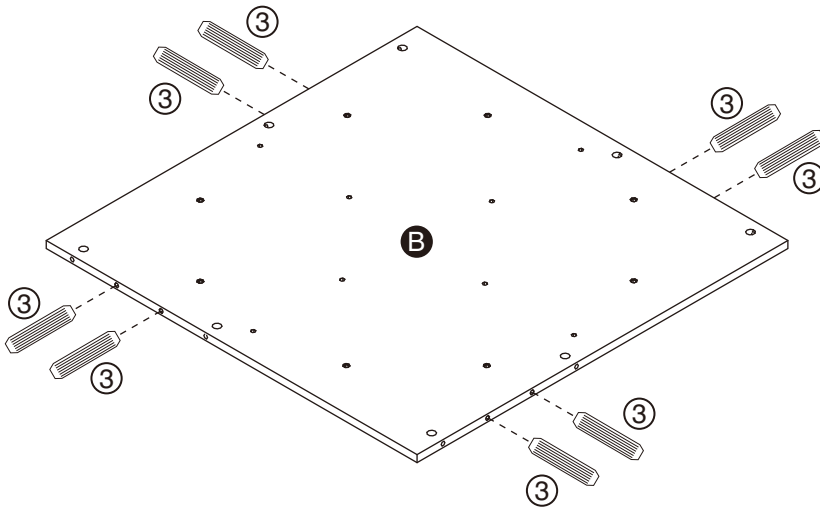
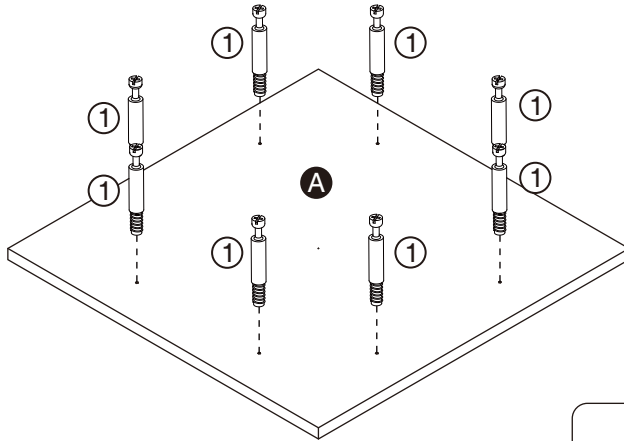


Drawer

# ASSEMBLY INSTRUCTIONS

# 1

Hardware ① x24PCS  
Hardware ③ x40PCS



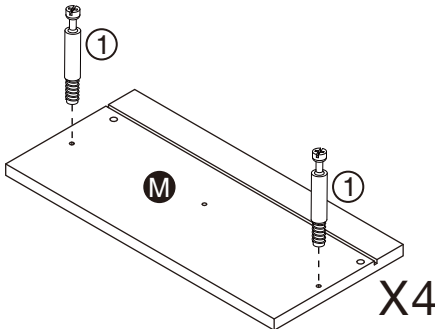
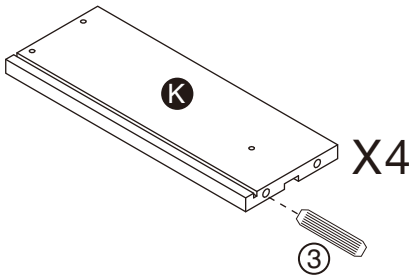
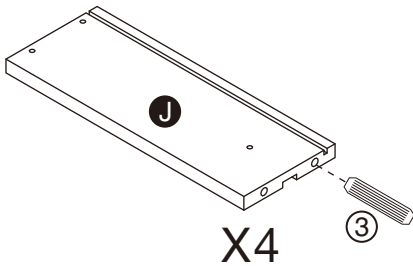
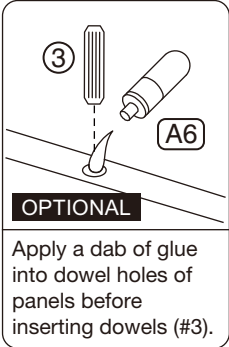
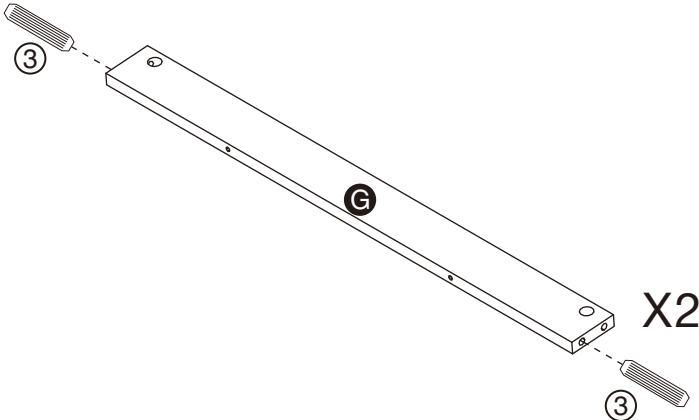
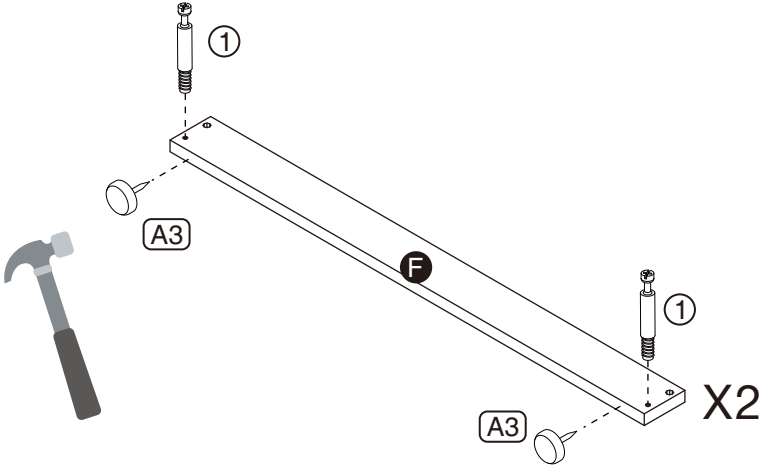
# ASSEMBLY INSTRUCTIONS

## 2

Hardware ① x12PCS

Hardware ③ x12PCS

Accessory A3 x4PCS



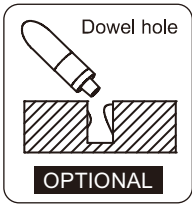
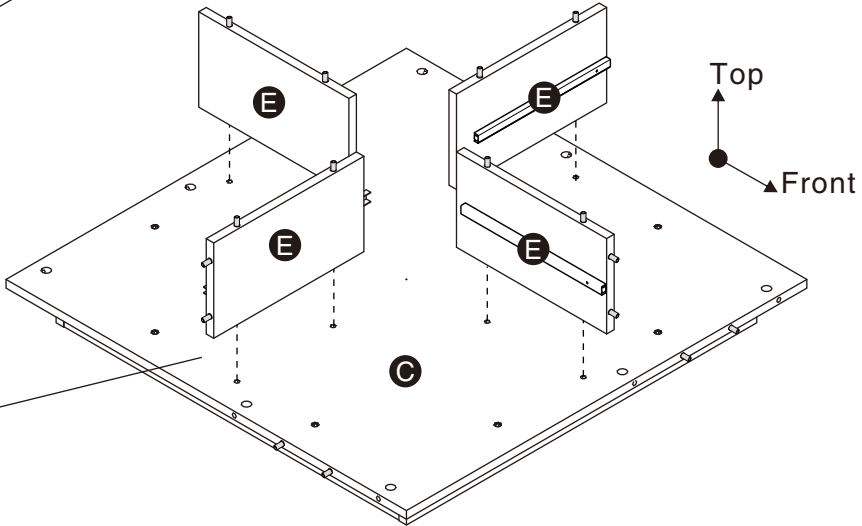
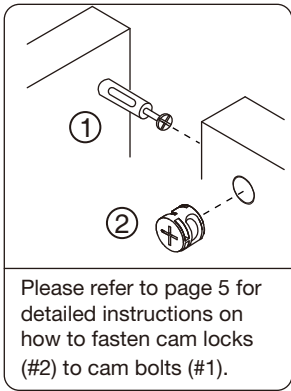
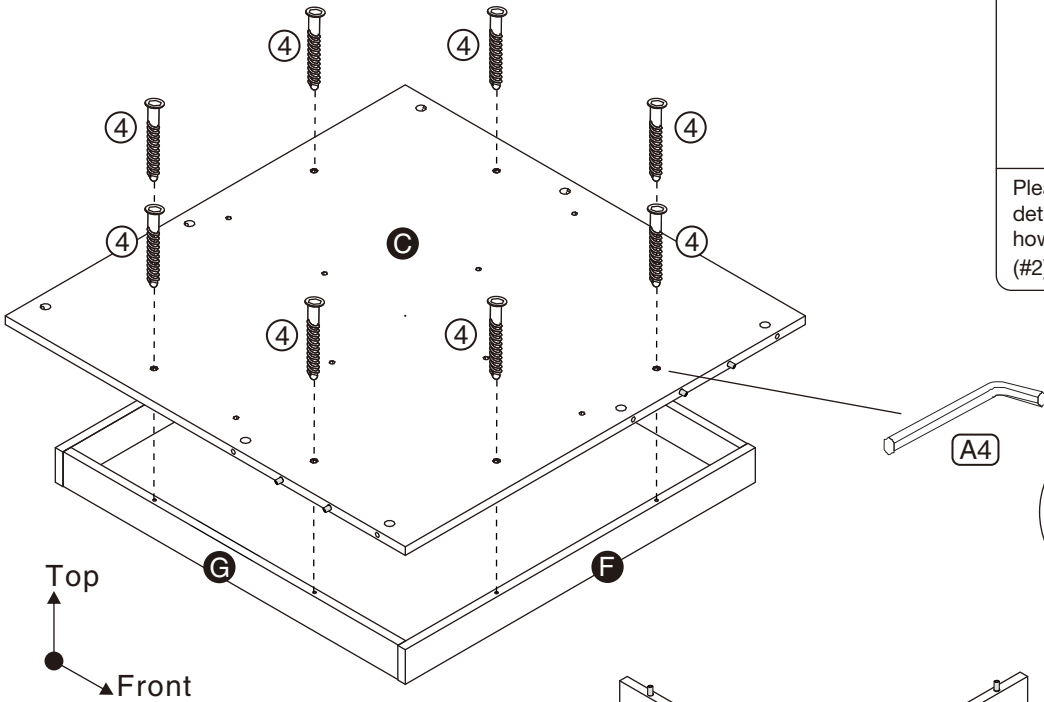
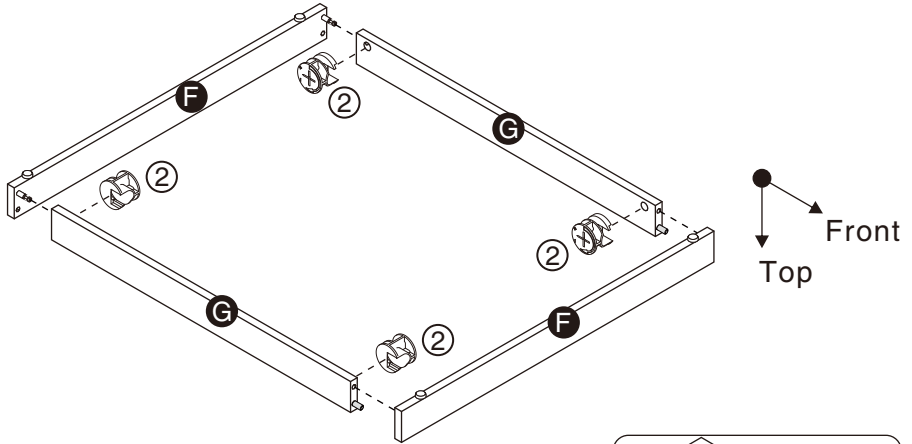
# ASSEMBLY INSTRUCTIONS

## 3

- Part **C** x1PC
- Part **E** x4PCS
- Part **G** x2PCS
- Part **F** x2PCS

- Hardware **2** x4PCS
- Hardware **4** x8PCS

- Accessory **A4** x1PC



# ASSEMBLY INSTRUCTIONS

## 4

Part **B** x1PC

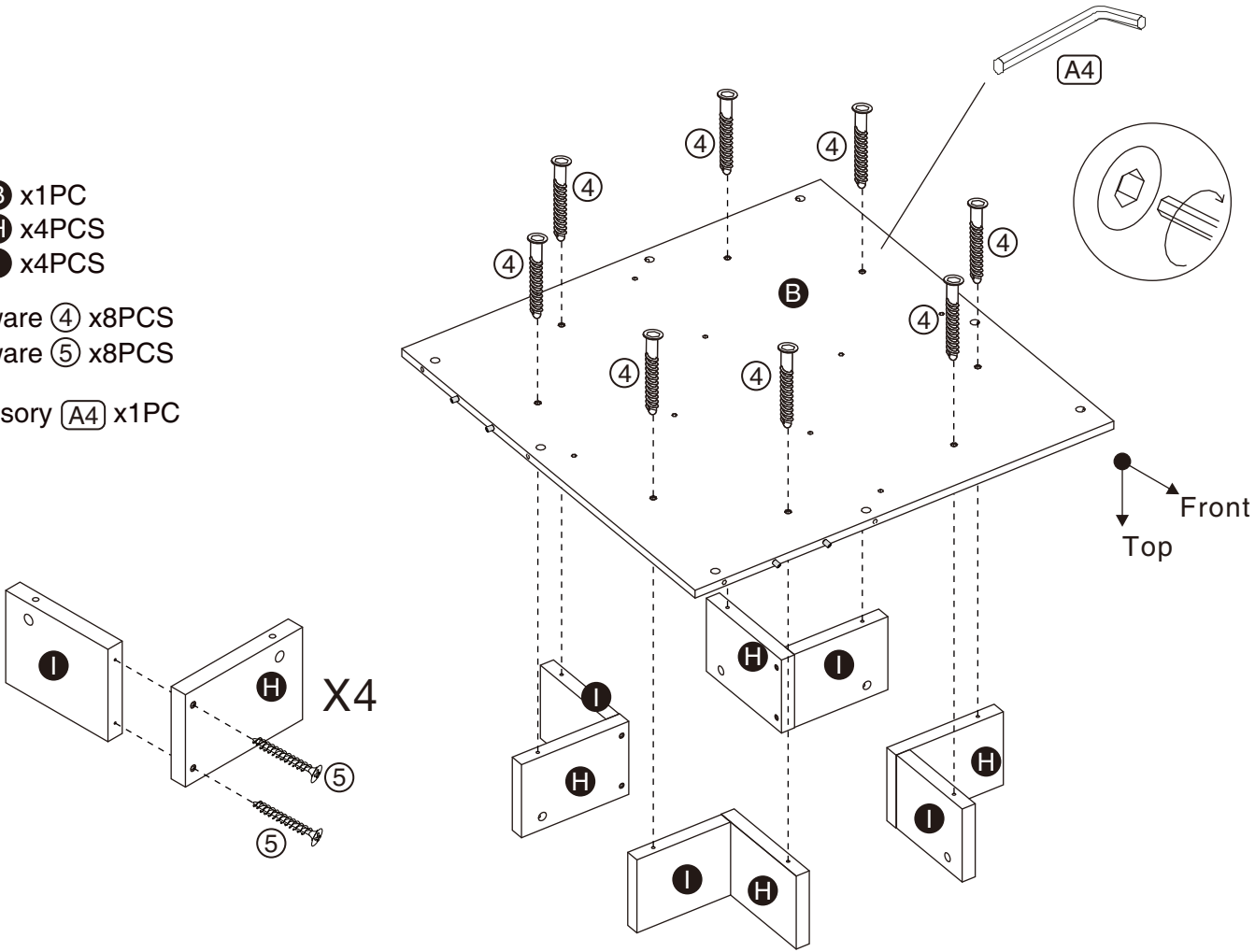
Part **H** x4PCS

Part **I** x4PCS

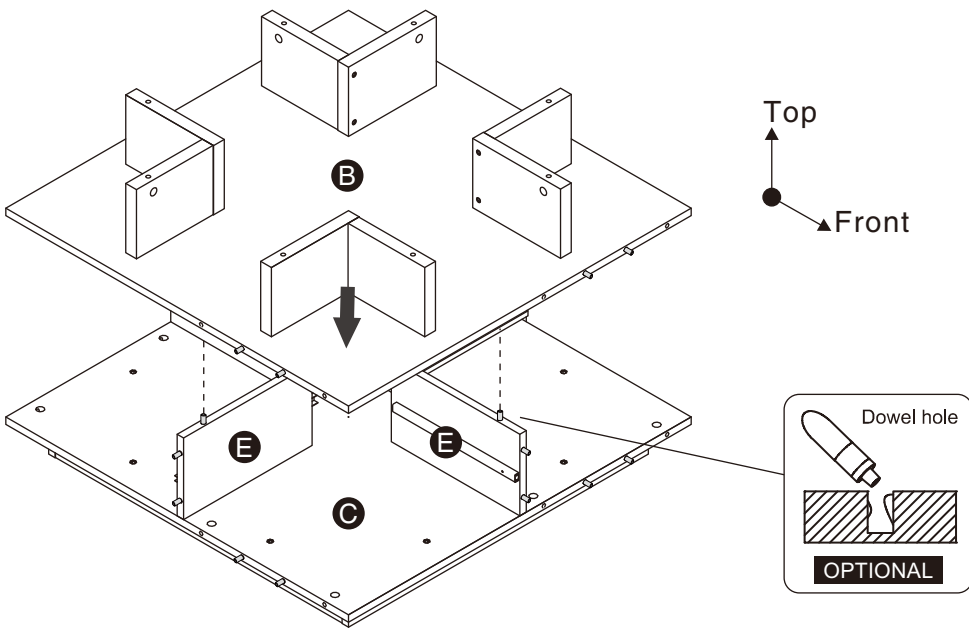
Hardware **④** x8PCS

Hardware **⑤** x8PCS

Accessory **A4** x1PC



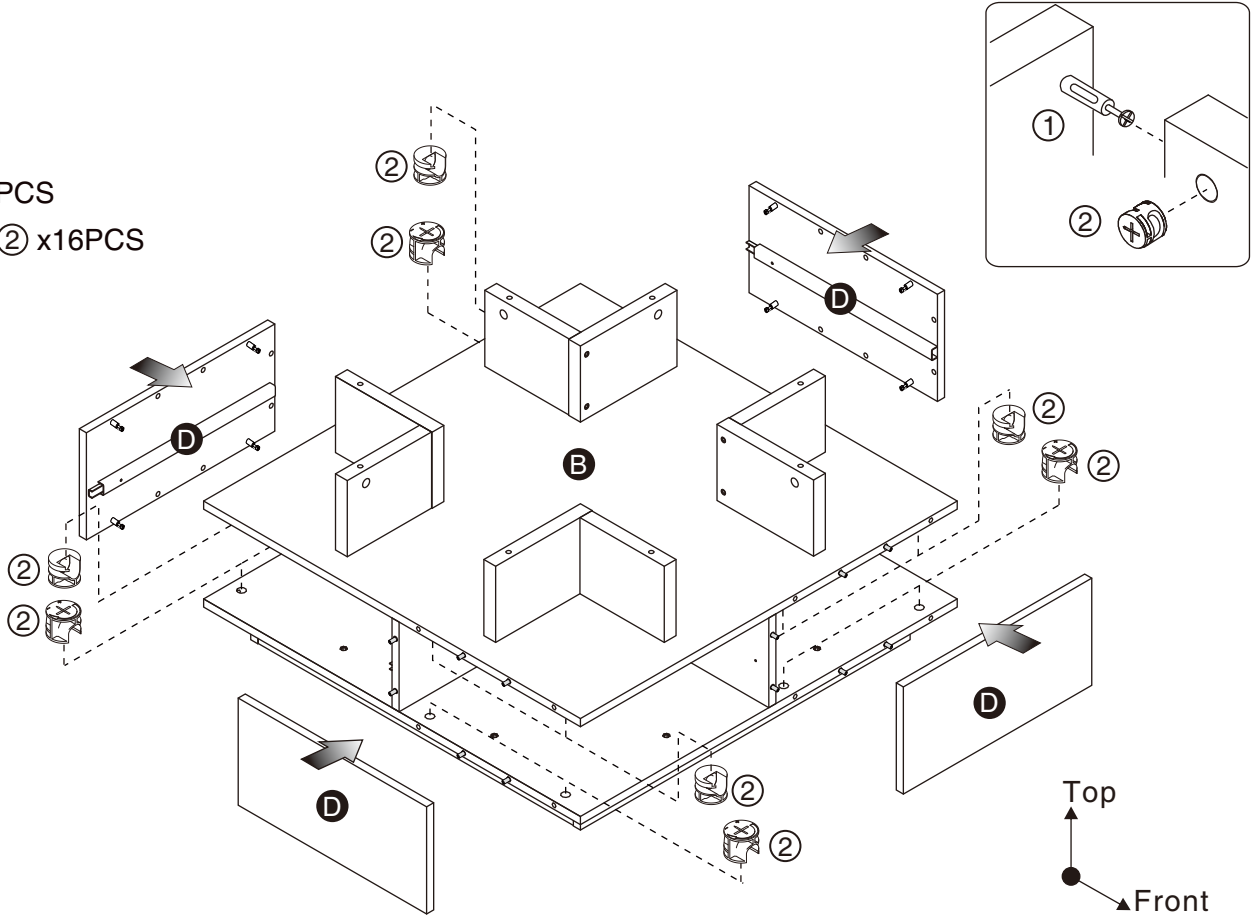
## 5



# ASSEMBLY INSTRUCTIONS

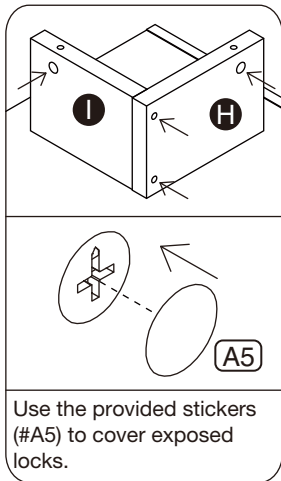
## 6

Part **D** x4PCS  
 Hardware **②** x16PCS

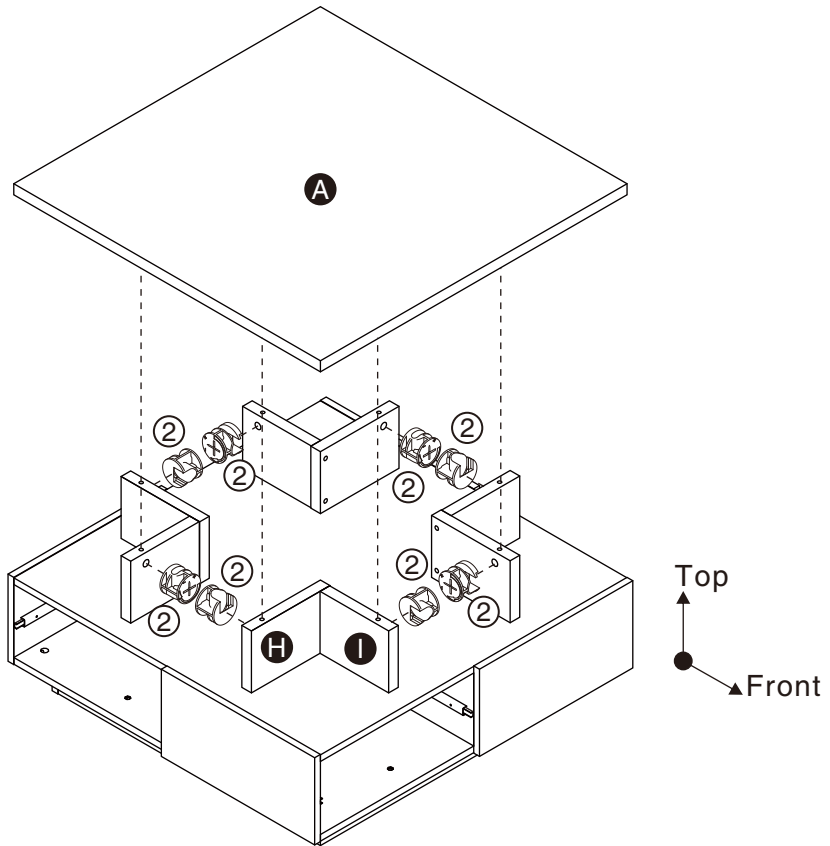


## 7

Part **A** x1PC  
 Hardware **②** x8PCS  
 Accessory **(A5)** x16PCS



X4



# ASSEMBLY INSTRUCTIONS

## 8

Part **J** x4PCS

Part **K** x4PCS

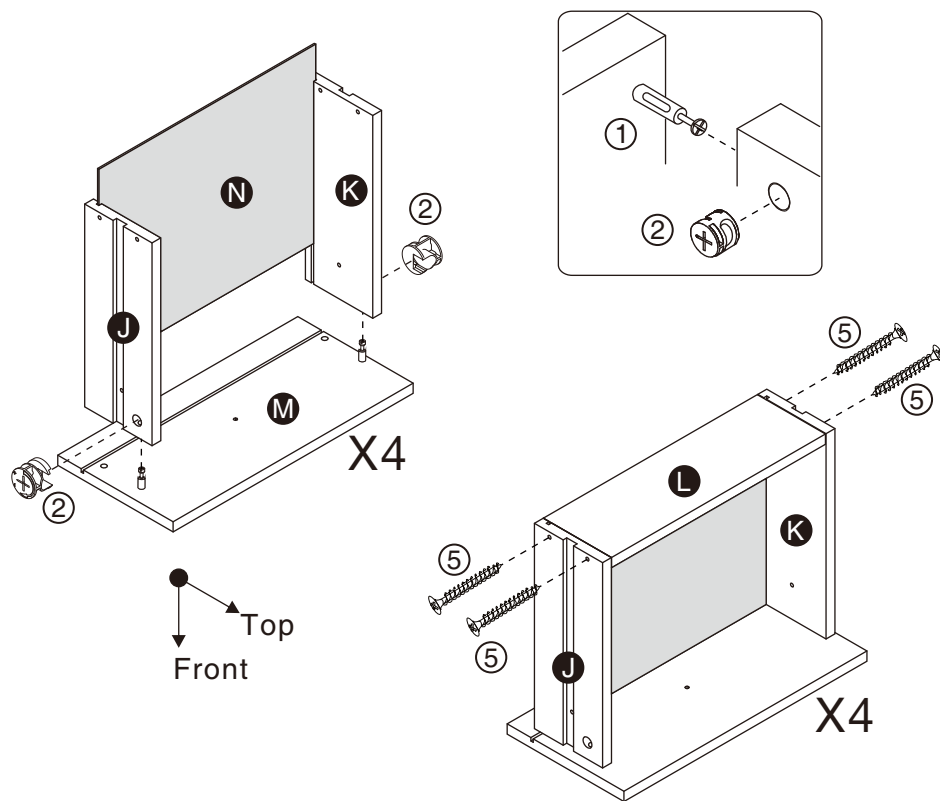
Part **L** x4PCS

Part **M** x4PCS

Part **N** x4PCS

Hardware **②** x8PCS

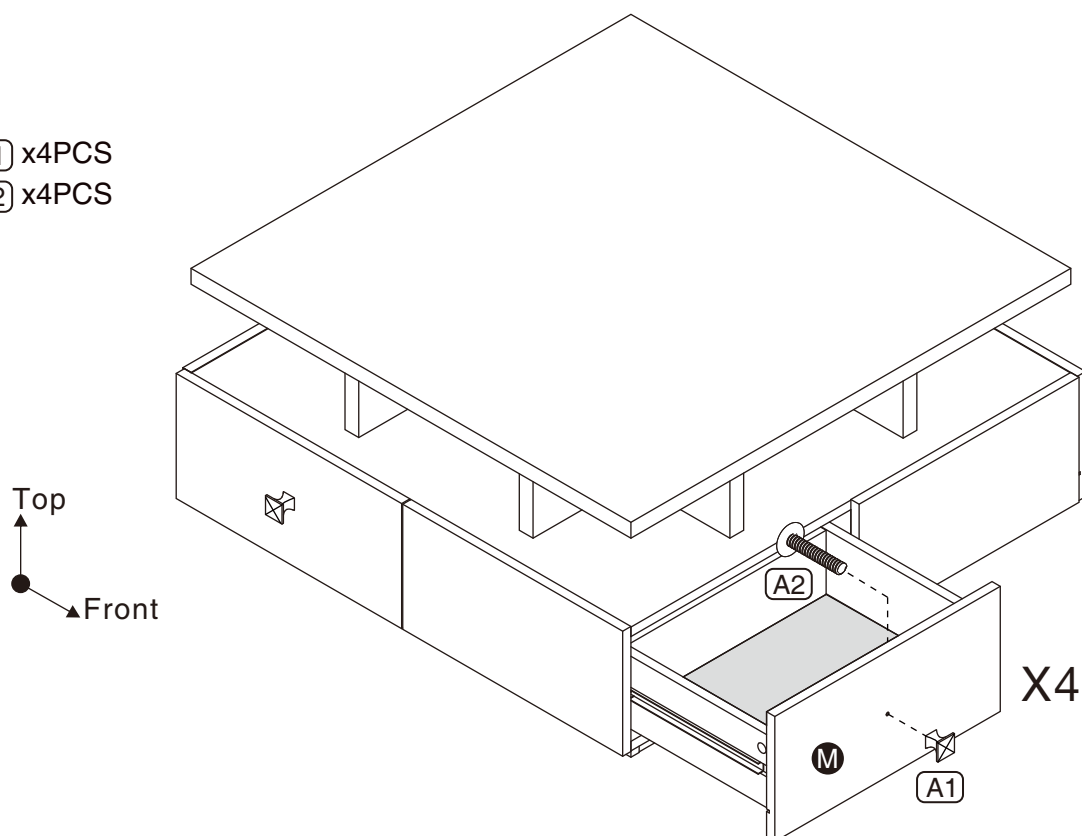
Hardware **⑤** x16PCS



## 9

Accessory **A1** x4PCS

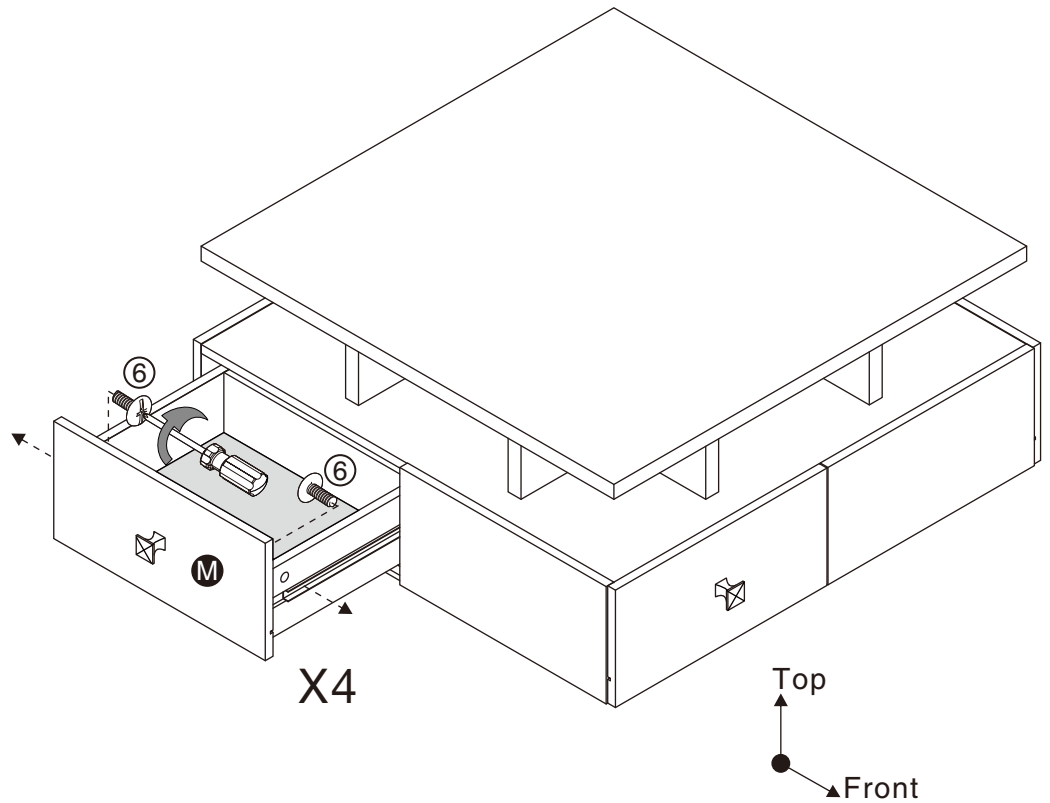
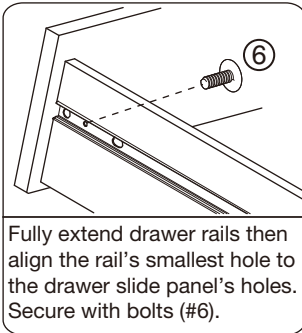
Accessory **A2** x4PCS



# ASSEMBLY INSTRUCTIONS

## 10

Hardware ⑥ x8PCS



## 11

### ASSEMBLY COMPLETED



Please ensure the furniture rests on an even and flat surface. If the product wobbles or feels loose, double-check all bolts and/or screws are properly tightened and secured.

#### ✓ Keep this handy!

Please retain this instruction manual and any order-related information for future reference.

