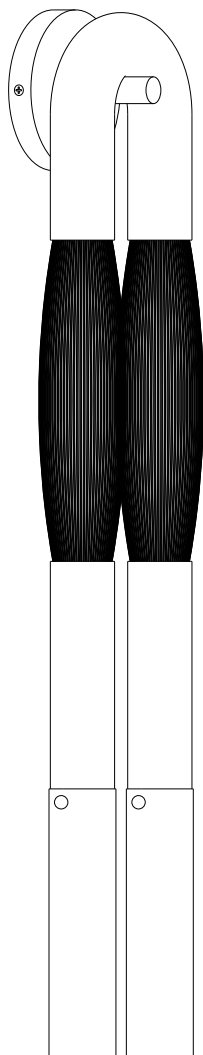
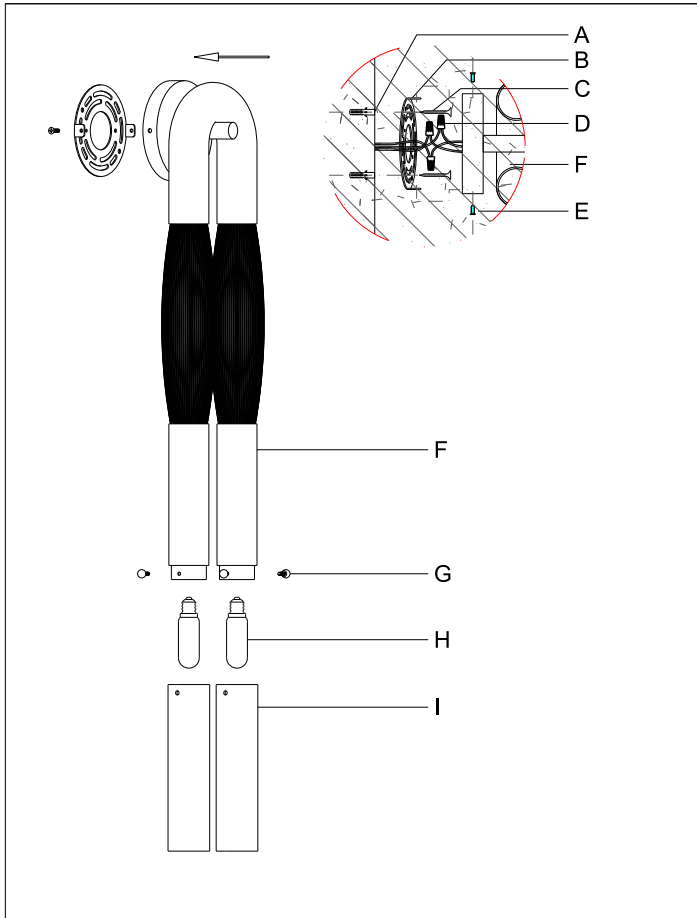


# INSTALLATION MANUAL



# STEP I Unpacking

Open the box, and take out all the accessories, you will get the following items.

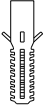






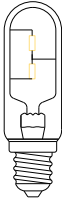



## FAQ

Q: After opening the box, I realized that the accessories are missing, what should I do?

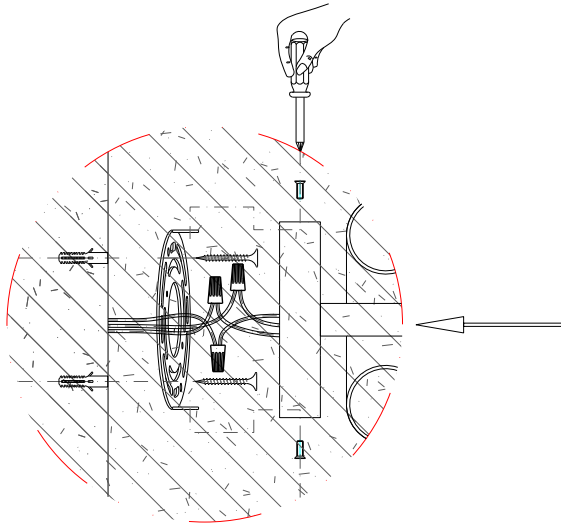
A: We have taken this situation into consideration. We have prepared spare accessories in each box, enough for your installation. If the accessories are more broken, please contact us in time and we will send you new ones.

# STEP II Main accessories

<p>A* 4</p> 	<p>B* 1</p> 	<p>C* 4</p> 
<p>D* 3</p> 	<p>E* 2</p> 	<p>F* 1</p> 
<p>G* 4</p> 	<p>H* 2</p> 	<p>I* 2</p> 

# STEP III Wiring and Mounting

## Step 1

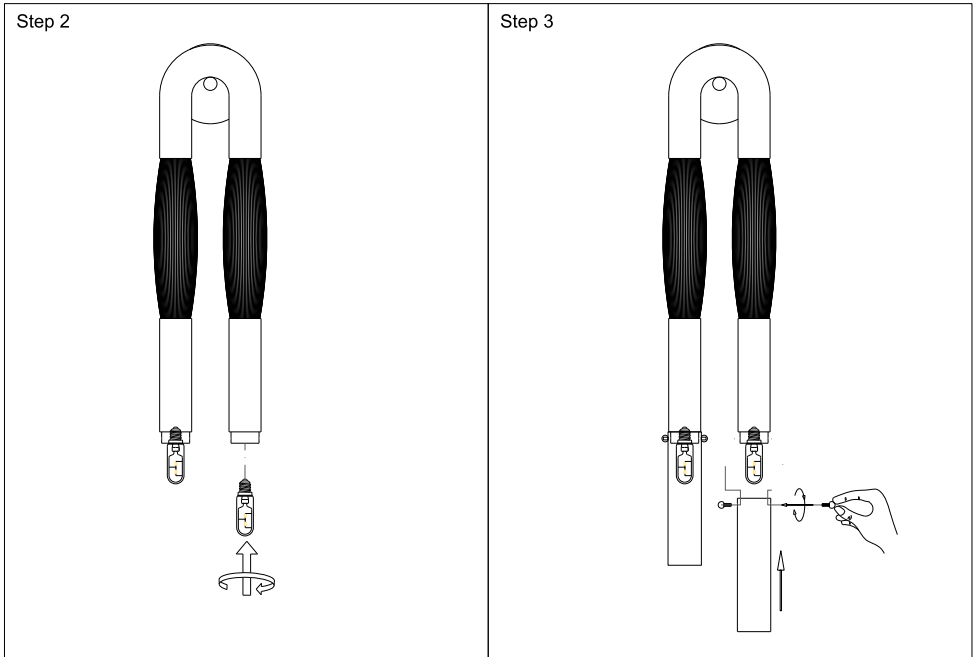


## FAQ

Q: How do I differentiate between N/L wiring and a ground wire?

A: We have already distinguished between the N/L markings on the wires and the brass wire on the mounting bracket is the ground wire.

# Step IV Crystal Mounting Adjustment



## FAQ

Q: What are the main precautions when installing lamps?

A: First of all, we should gently hold and put the lamps and lanterns, and then the lampshade screw holes are right, and then lock the screws after the installation is completed.

No matter what problems or questions you encounter during the installation or use of the chandelier, please feel free to contact us, we will reply you within 24 hours and quickly solve or answer for you!

When you leave a message to us online, please leave your order ID and case details, The more detailed and accurate your description, the more faster and accurate the solutions we could provide for you !



## SAFETY INSTRUCTIONS

These instructions are provided for your safety. It is very important that you have read them completely before beginning the installation of your fixture.

1. We recommend installation by a licensed electrician.
2. This fixture requires E12 bulbs( included ) , bulb rated wattage Max 5W, low wattage LED bulbs are recommended. To avoid risk of fire, do not exceed the recommended wattage.
3. If any special control devices are used with this fixture, follow the instructions carefully to assure full compliance with N.E.C. requirements. If there are any questions, contact a qualified electrical contractor.
4. Please make sure shut off the main electrical supply before installation, changing bulbs or cleaning light fixture.



## WARNINGS

This is not a toy and the product has no play value.  
Keep at least 3 feet away from cribs, bassinets and toddler beds.  
Keep out of reach of children under 3 years of age.



## PREPARATION

1. Please prepare the E12 bulb that will be given to you in advance
2. Please keep the installation site clean and tidy to avoid missing small accessories.