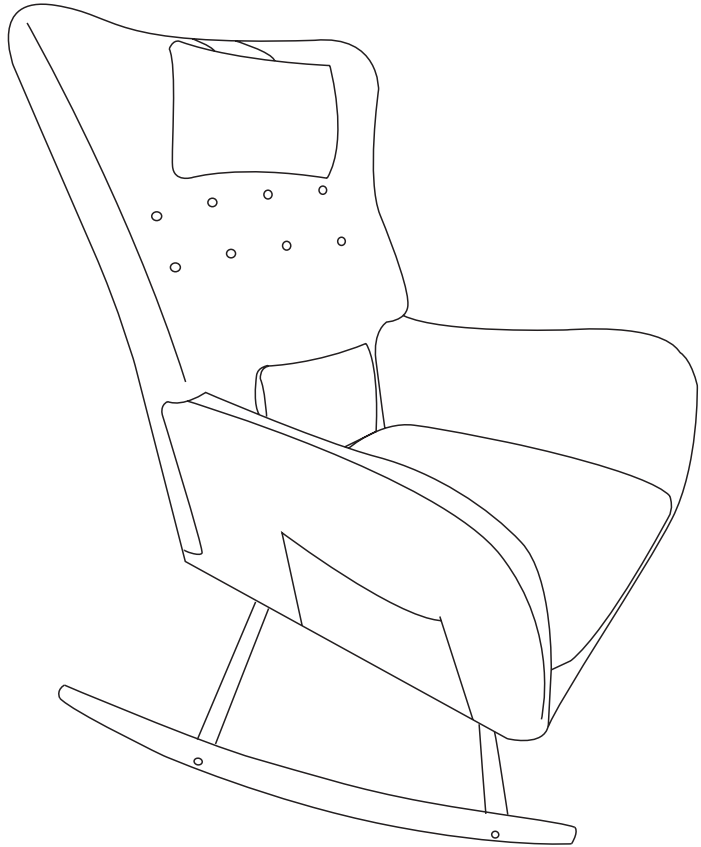
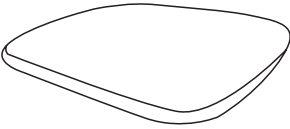


Rocking Chair

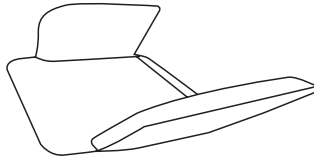


Parts list

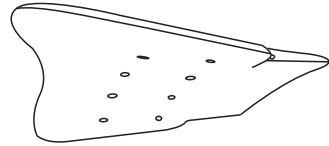
(1) A x1



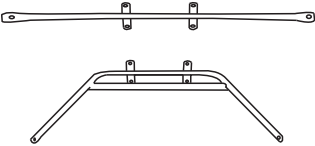
(2) B x1



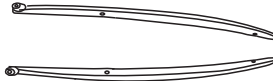
(3) C x1



(4) D x1



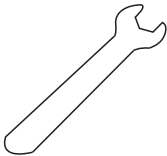
(5) E x1



(6) F x4



(7) G x1



(8) H x1



(9) I x2



(10) J x8



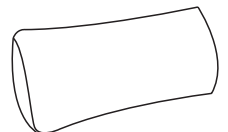
(11) K x4



(12) L x2

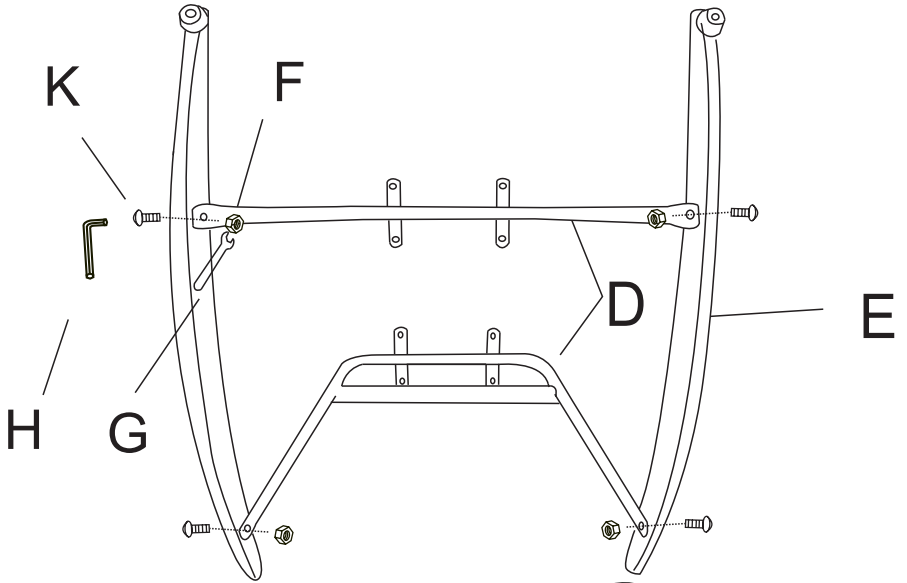


(13) M x1

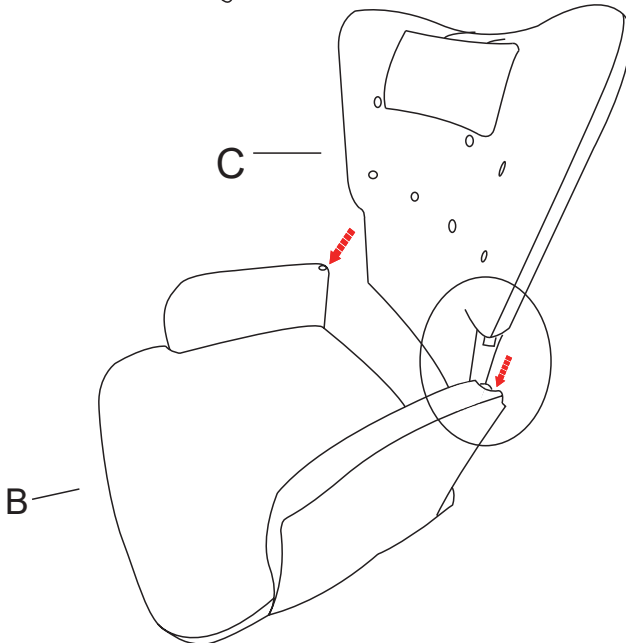


Installation steps

①

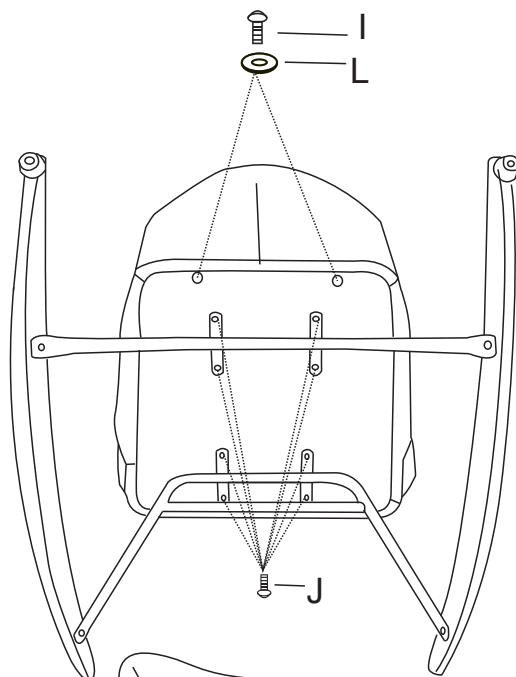


②

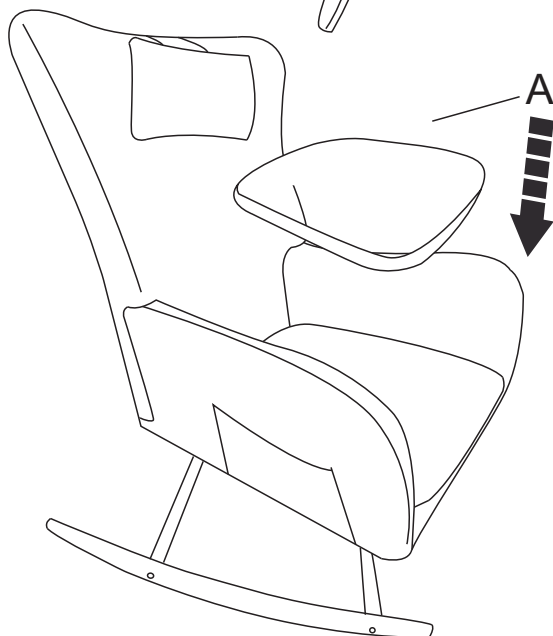


Installation steps

③



④



Q: What should I do if the screw does not match the hole?

A: Don't tighten all the screws yet. Align all the screws and finally tighten all the screws. If you are still unable to install, please contact us, we will provide you with a satisfactory after-sales solution within 24h.