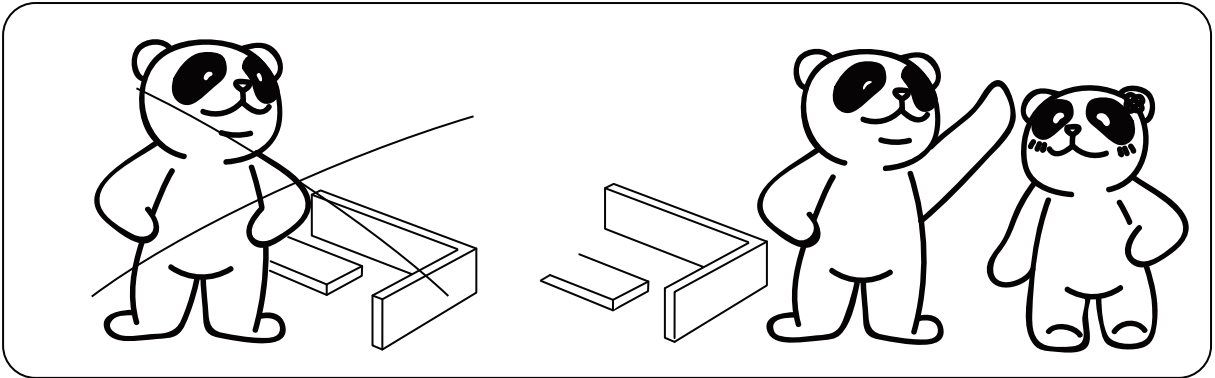
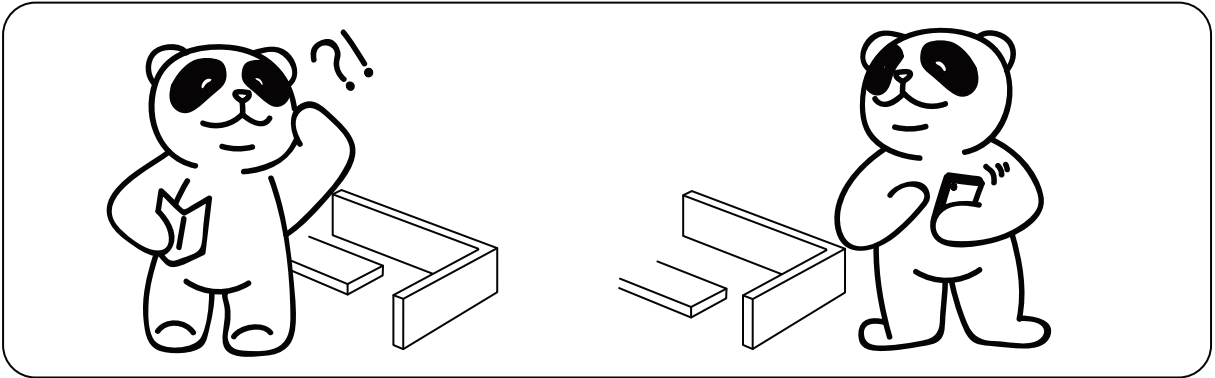
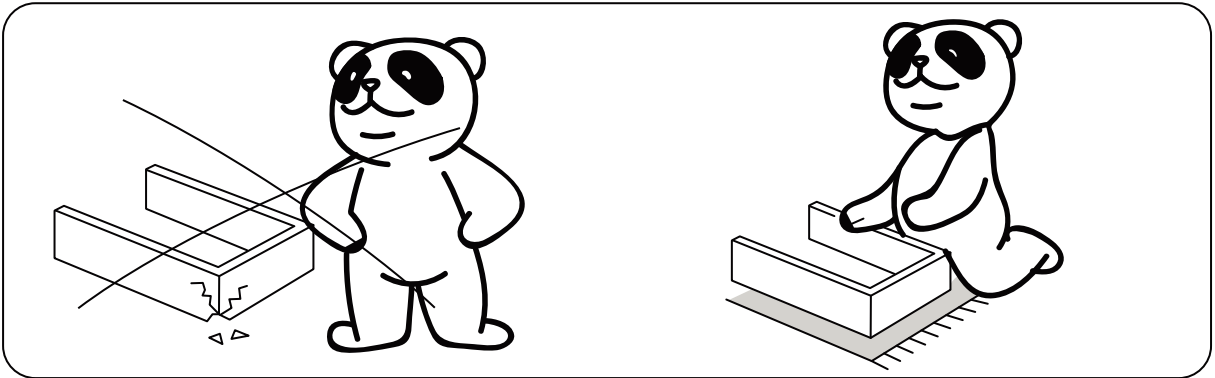
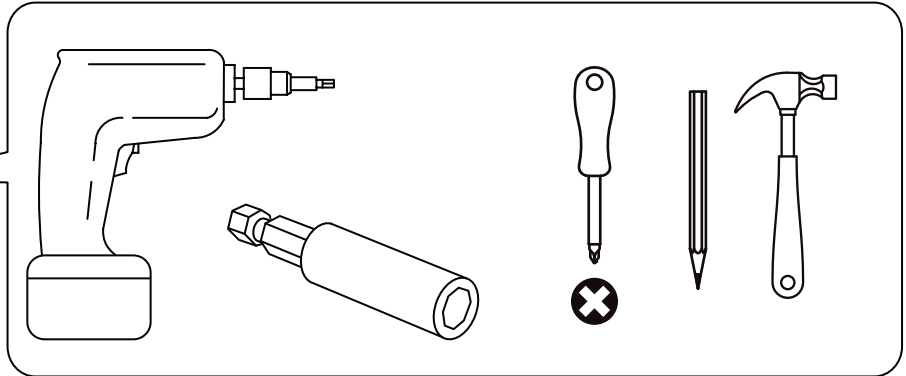


DJ504199

Version:1.2



Installation parts



A
x118
Ø6x28mm



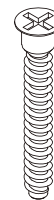
B
x118
Ø15x9mm



C
x16
Ø6x30mm



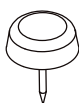
D
x82
Ø3.5x12mm



E
x28
Ø5x40mm



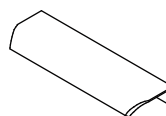
F
x12



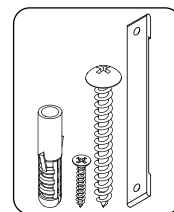
G
x14



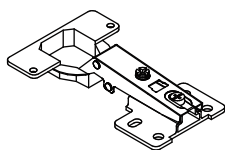
H
x36
Ø3.5x14mm



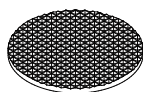
I
x7



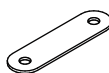
J
x2



K
x4



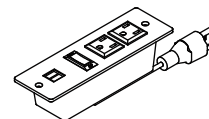
L
x4



M
x6



N
x2



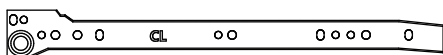
P
x1



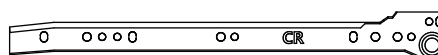
Q
x8
Ø4x310mm



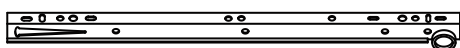
R
x12
Ø4x30mm



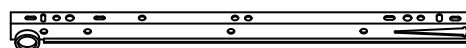
CL
x5
300MM



CR
x5
300MM

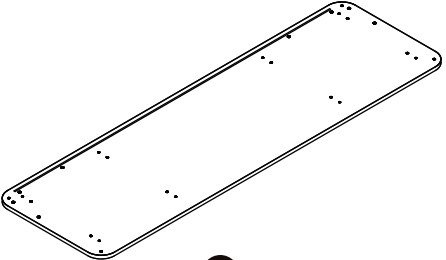


DL
x5
300MM

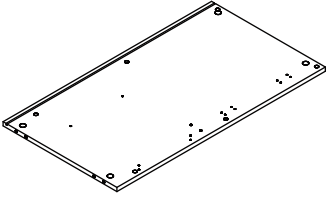


DR
x5
300MM

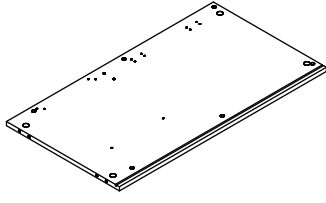
Mounting Frame



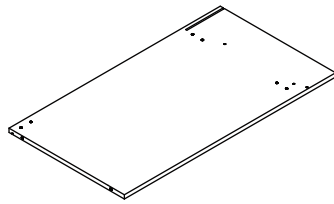
1
X1



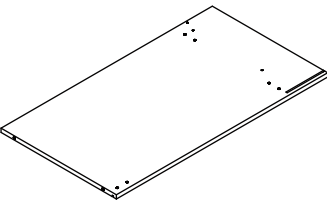
2
X1



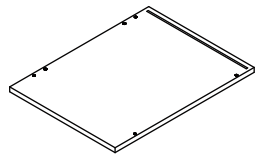
3
X1



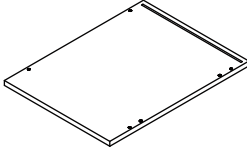
4
X1



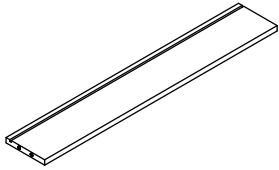
5
X1



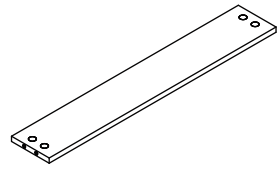
6
X1



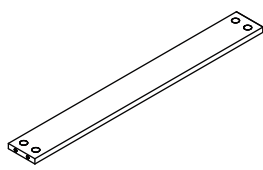
7
X1



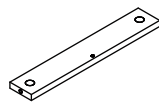
8
X1



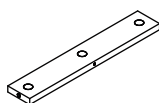
9
X1



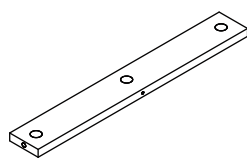
10
X1



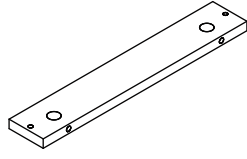
11
X2



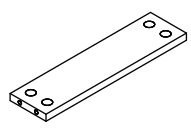
12
X2



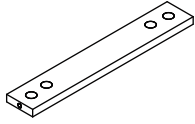
13
X4



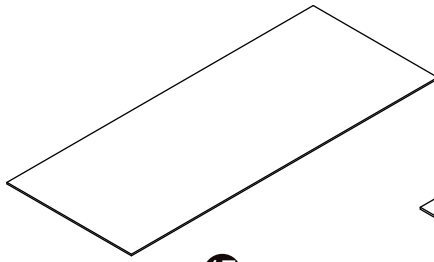
14
X4



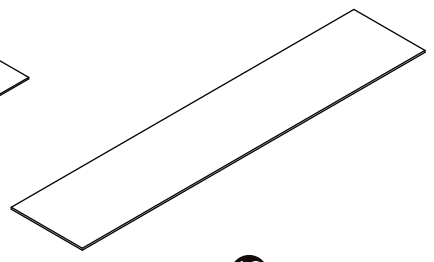
15
X2



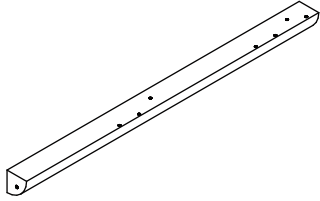
16
X2



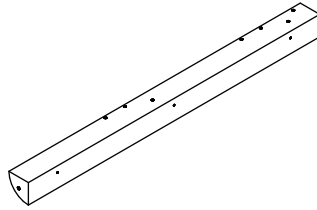
17
X2



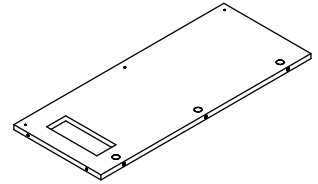
18
X1



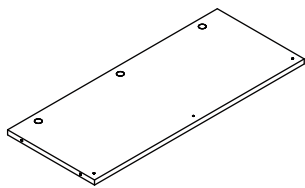
19
X2



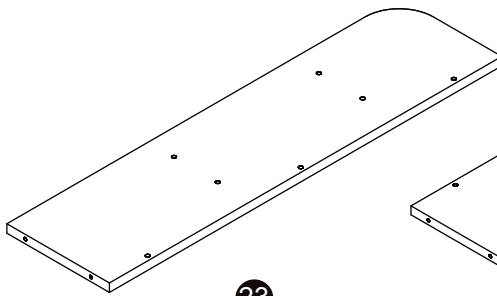
20
X2



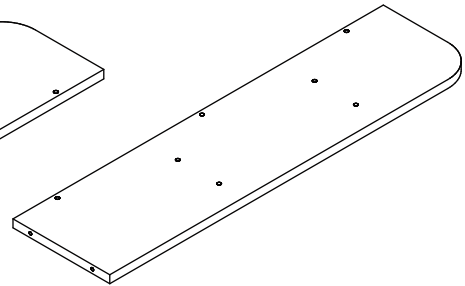
21
X1



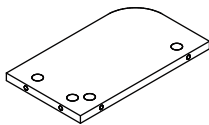
22
X1



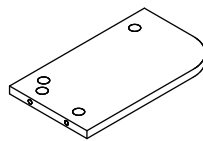
23
X1



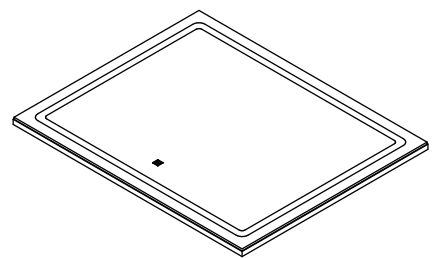
24
X1



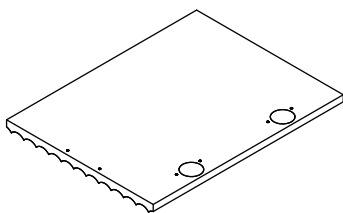
25
X2



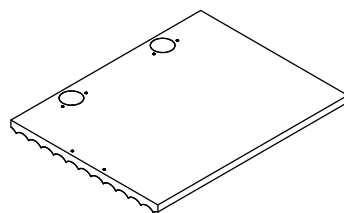
26
X2



27
X1

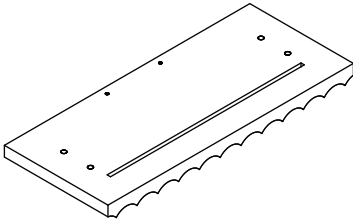


28
X1

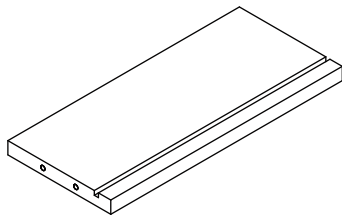


29
X1

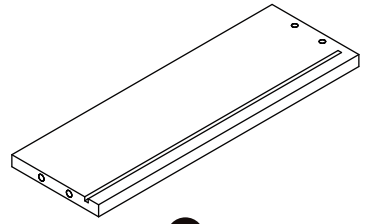
Drawer



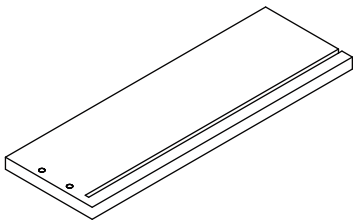
30
X2



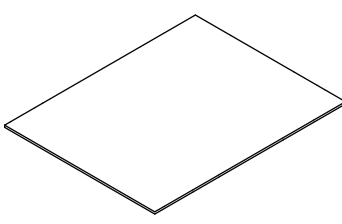
31
X2



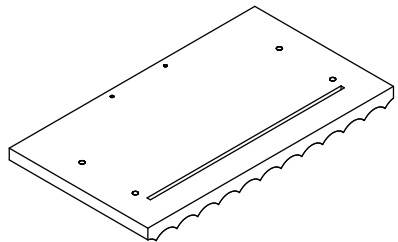
32
X3



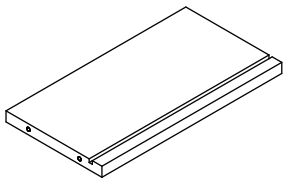
33
X3



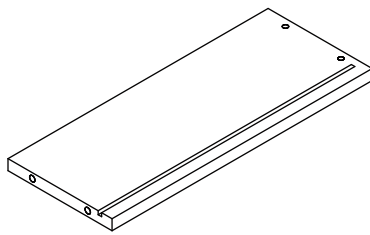
34
X4



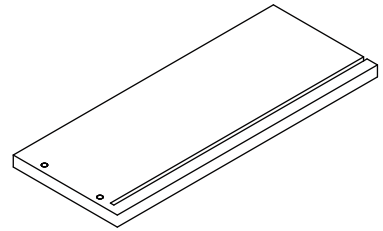
35
X2



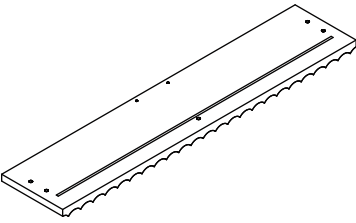
36
X2



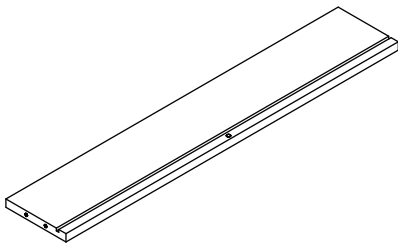
37
X2



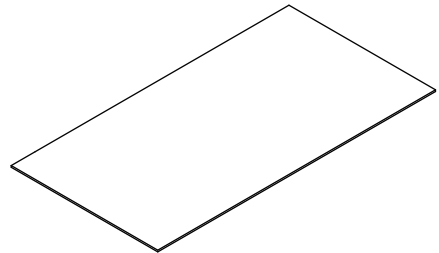
38
X2



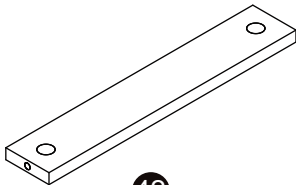
39
X1



40
X1



41
X1



42
X1

Note:

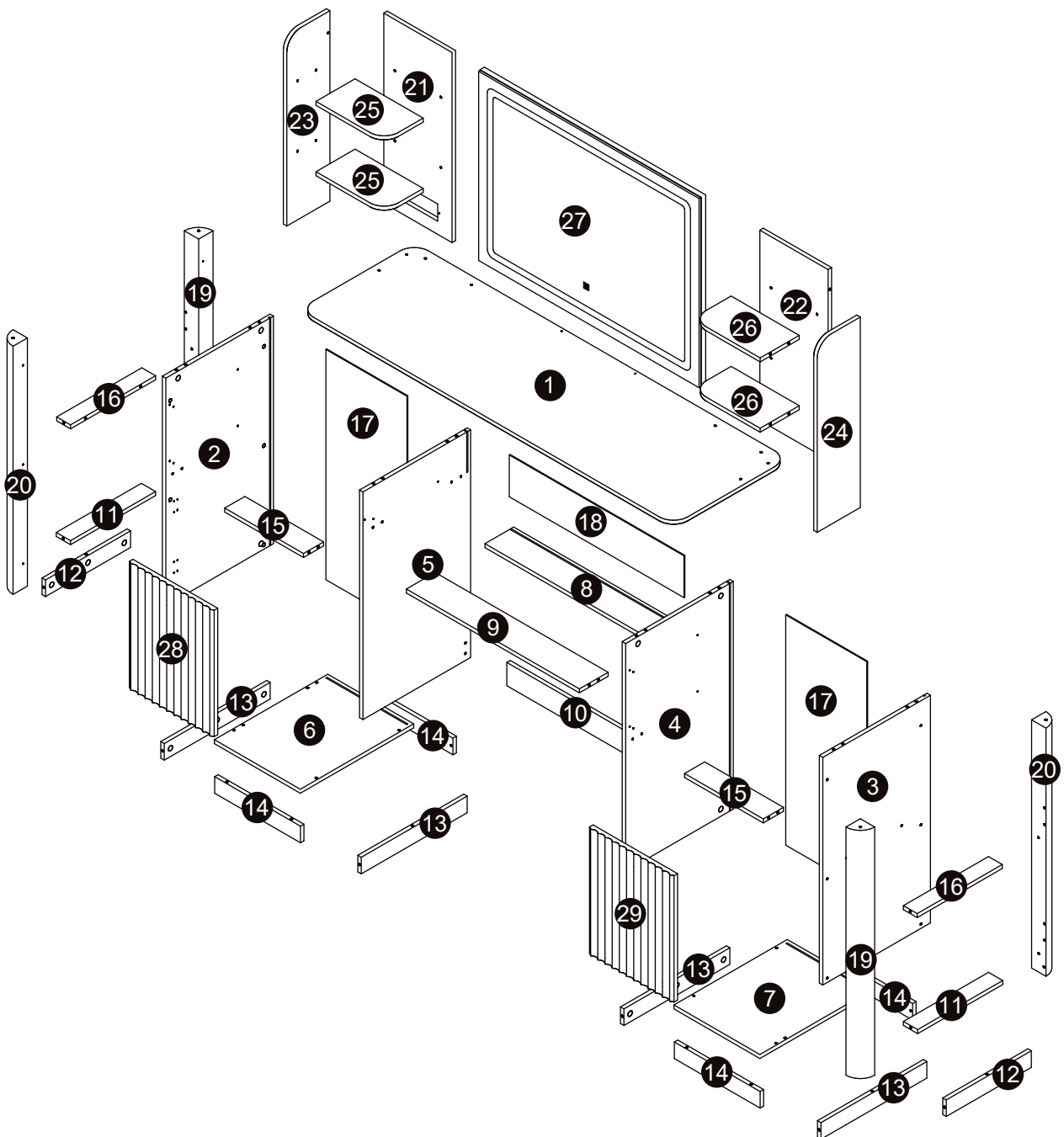
1. Should be assembled on flat ground to keep balance.



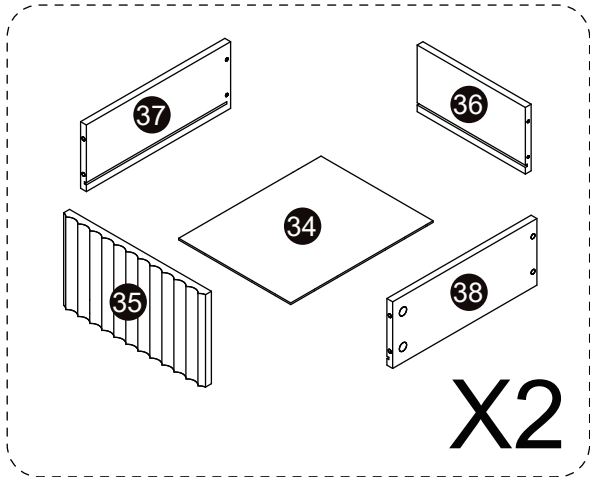
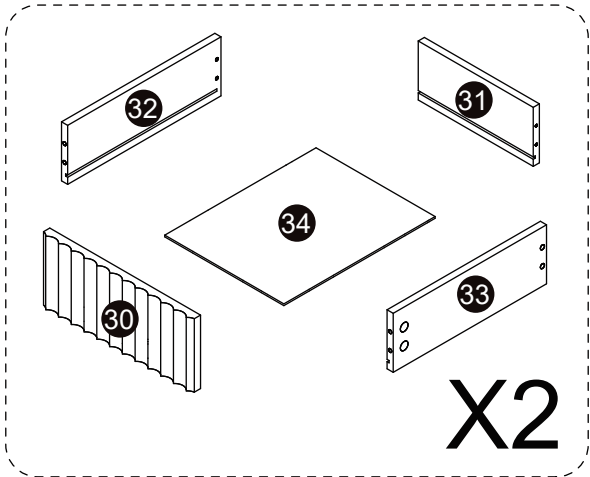
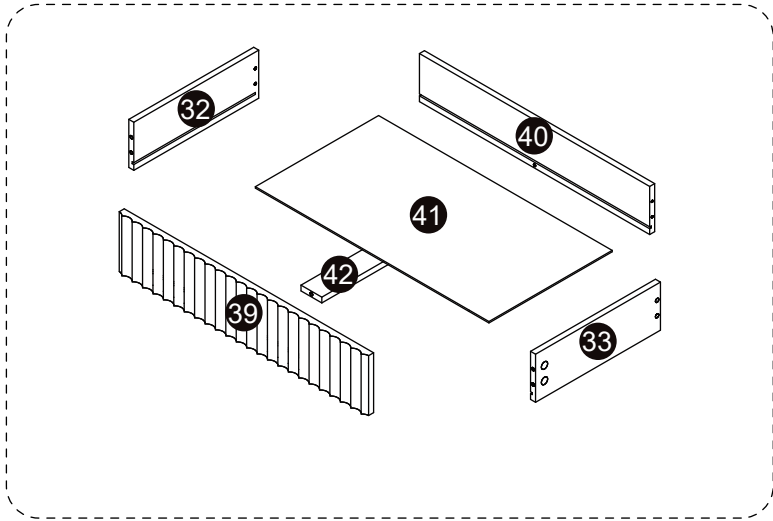
It needs at least two people to install.



Before starting the assembly, you must read the whole manual and follow the instructions

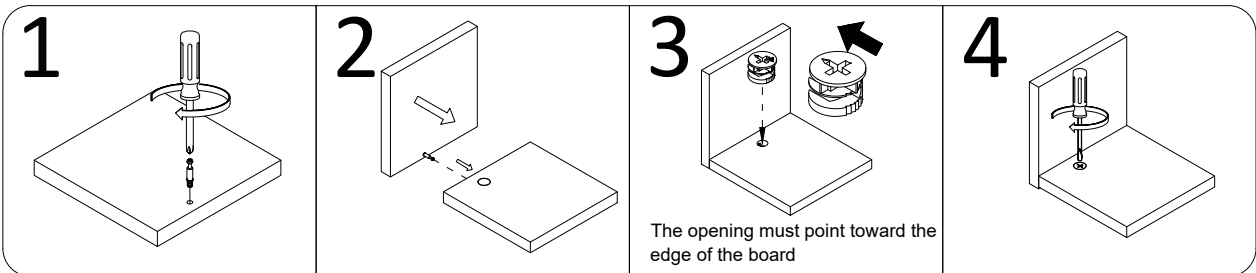


Drawer installation



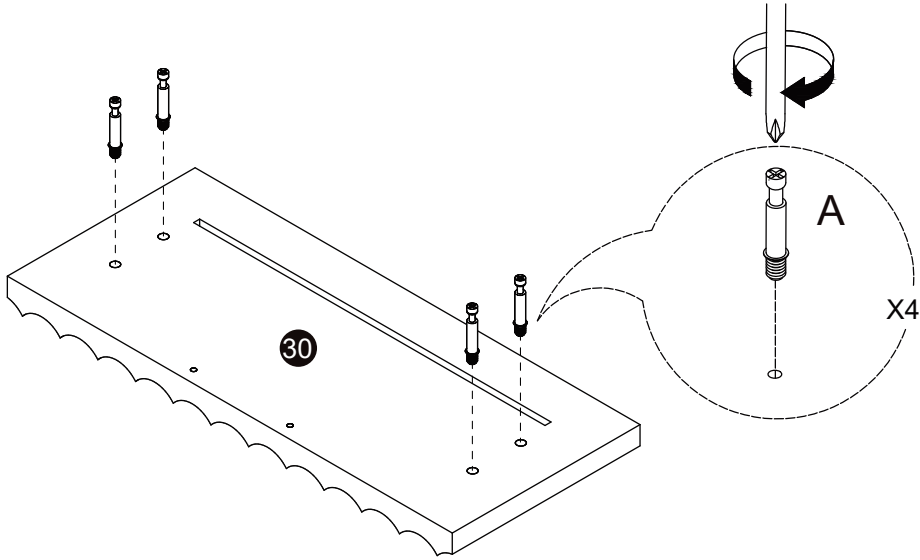
Cam Lock Fastening System

Insert the cam bolt into the hole first, then insert the cam lock and lock it.



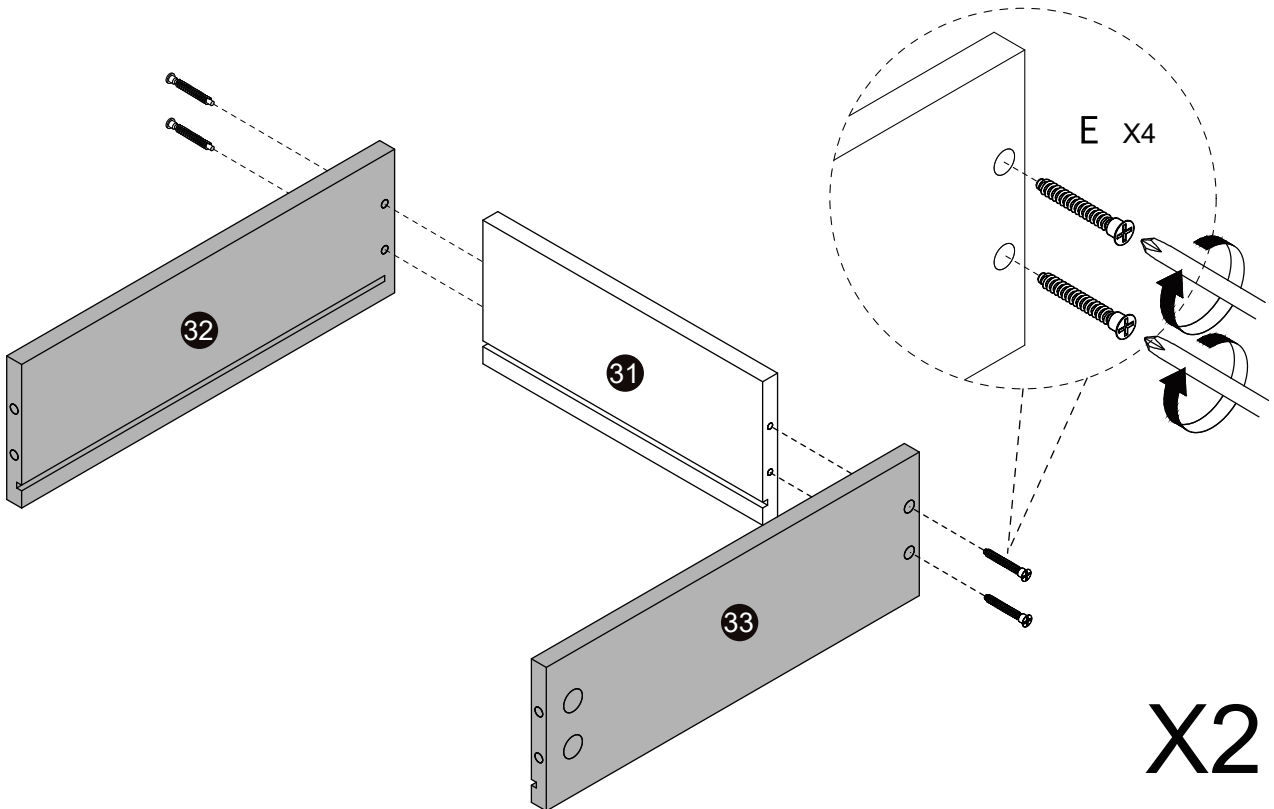
1

A 
Ø6×28mm×8

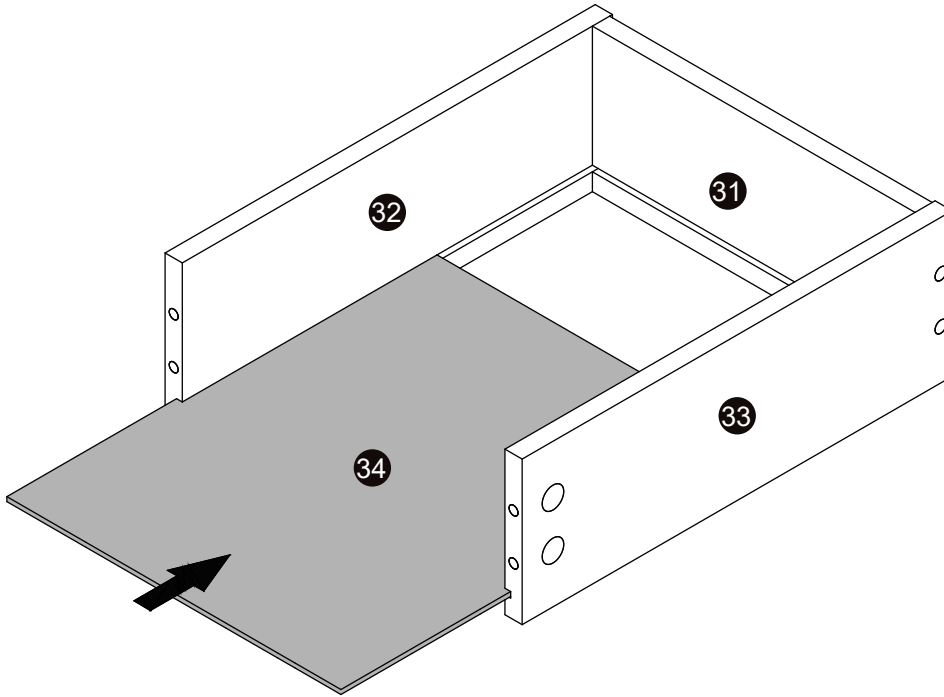


2

E 
Ø5×40mm×8



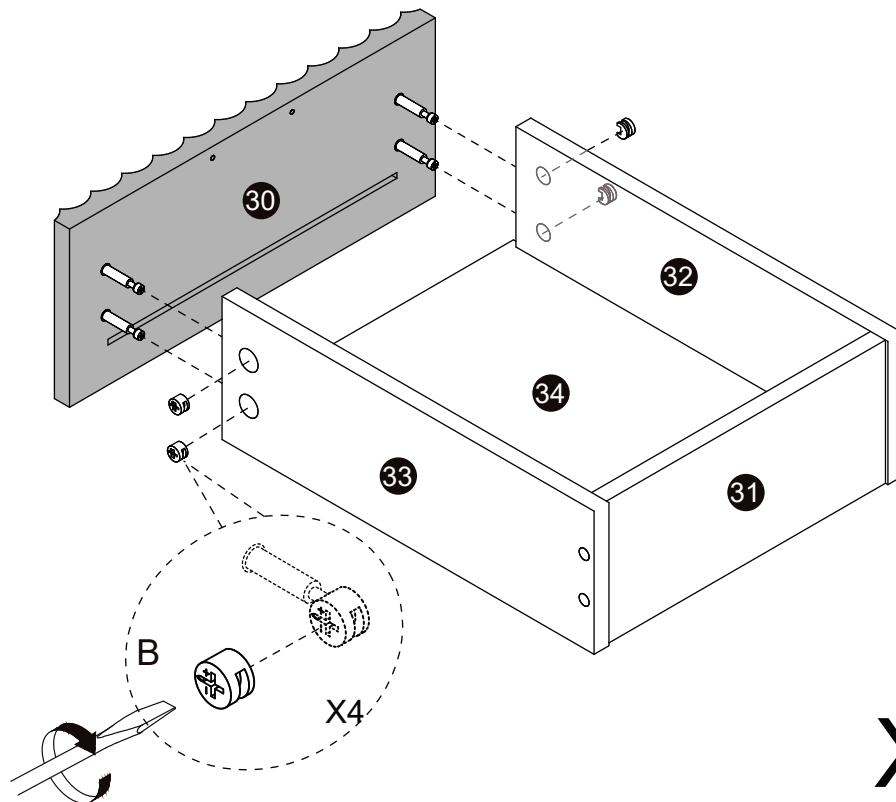
3



X2

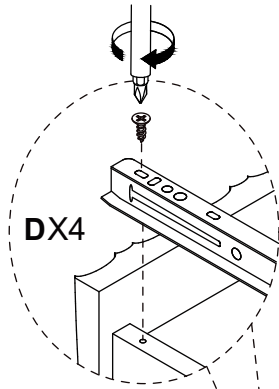
4


B 
Ø15×9mm×8





X2

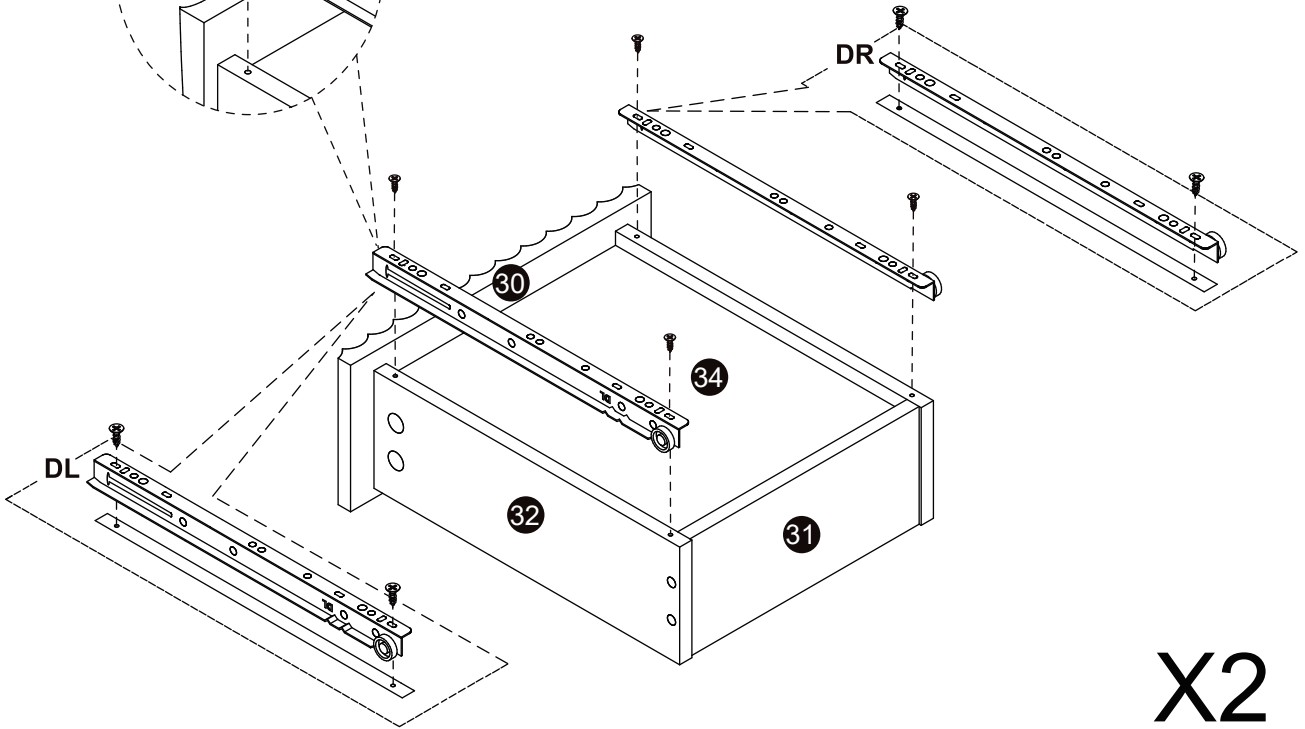
5



D 
 Ø3.5×12mm×8

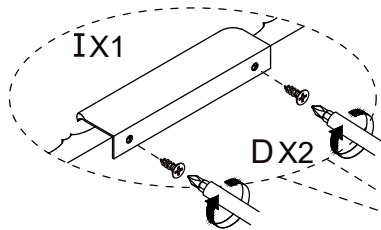
DL 
 300mm×2

DR 
 300mm×2




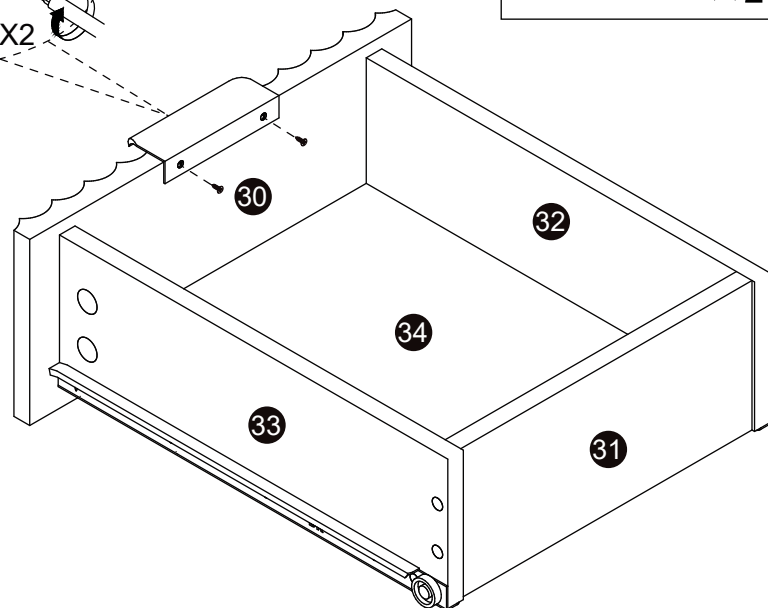
X2

6




D 
 Ø3.5×12mm×4

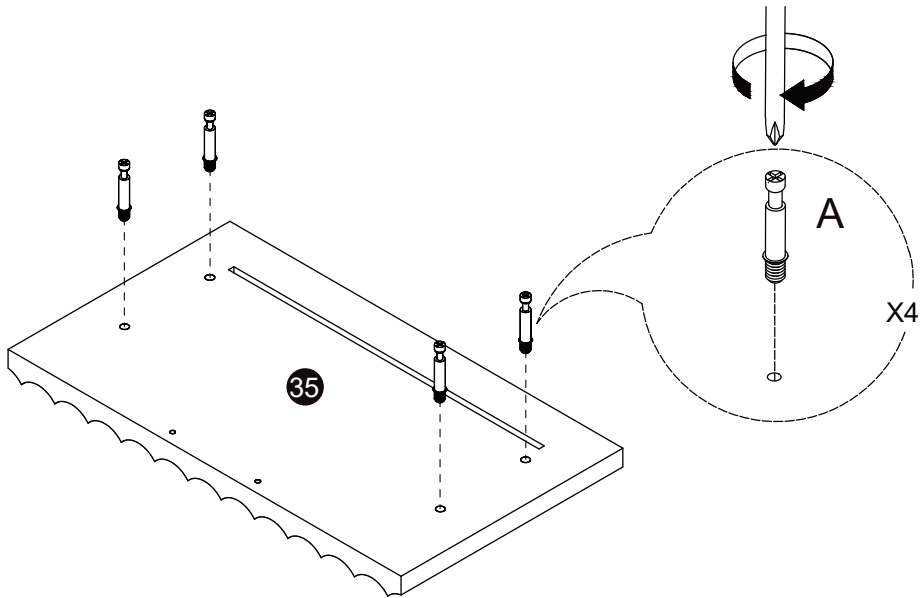
I 
 ×2



X2

7

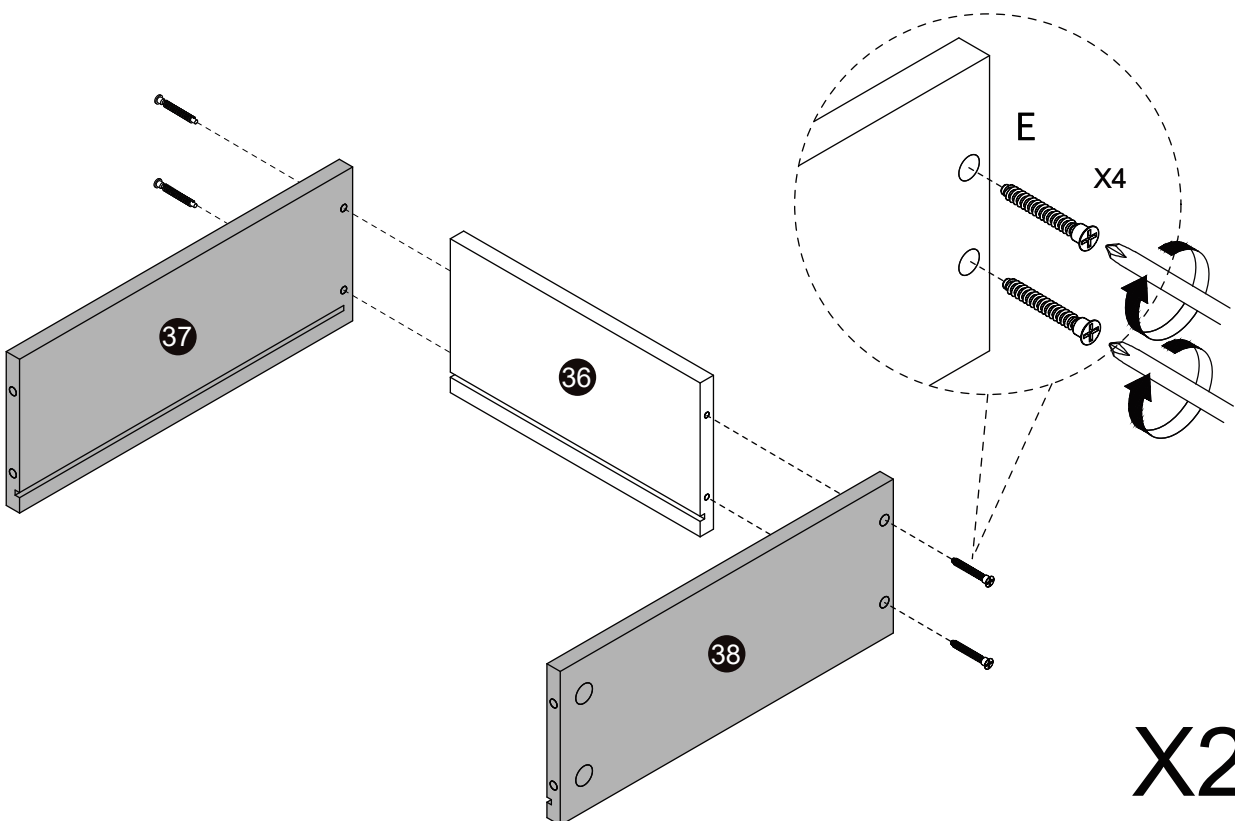
A 
Ø6×28mm×8



X2

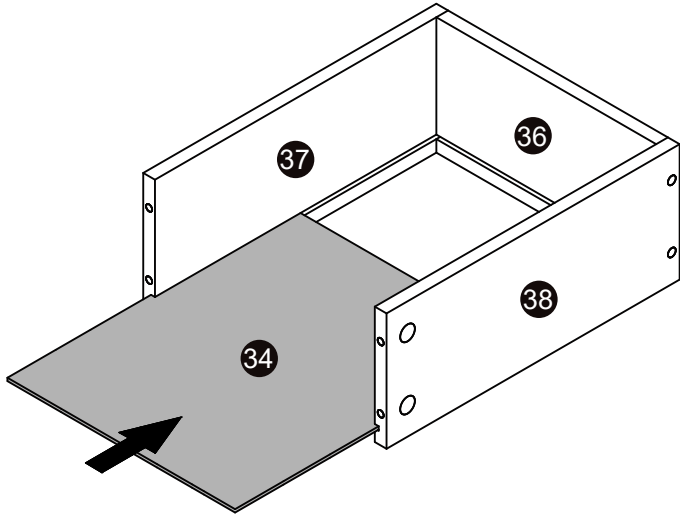
8

E 
Ø5×40mm×8




X2

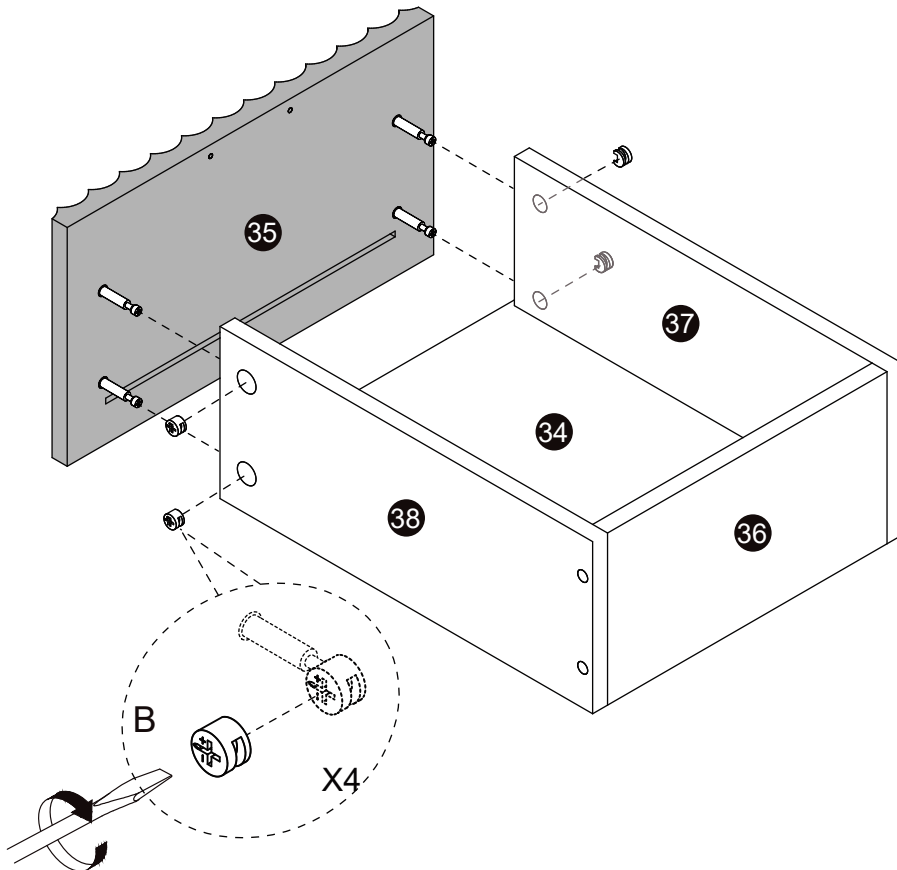
9



X2

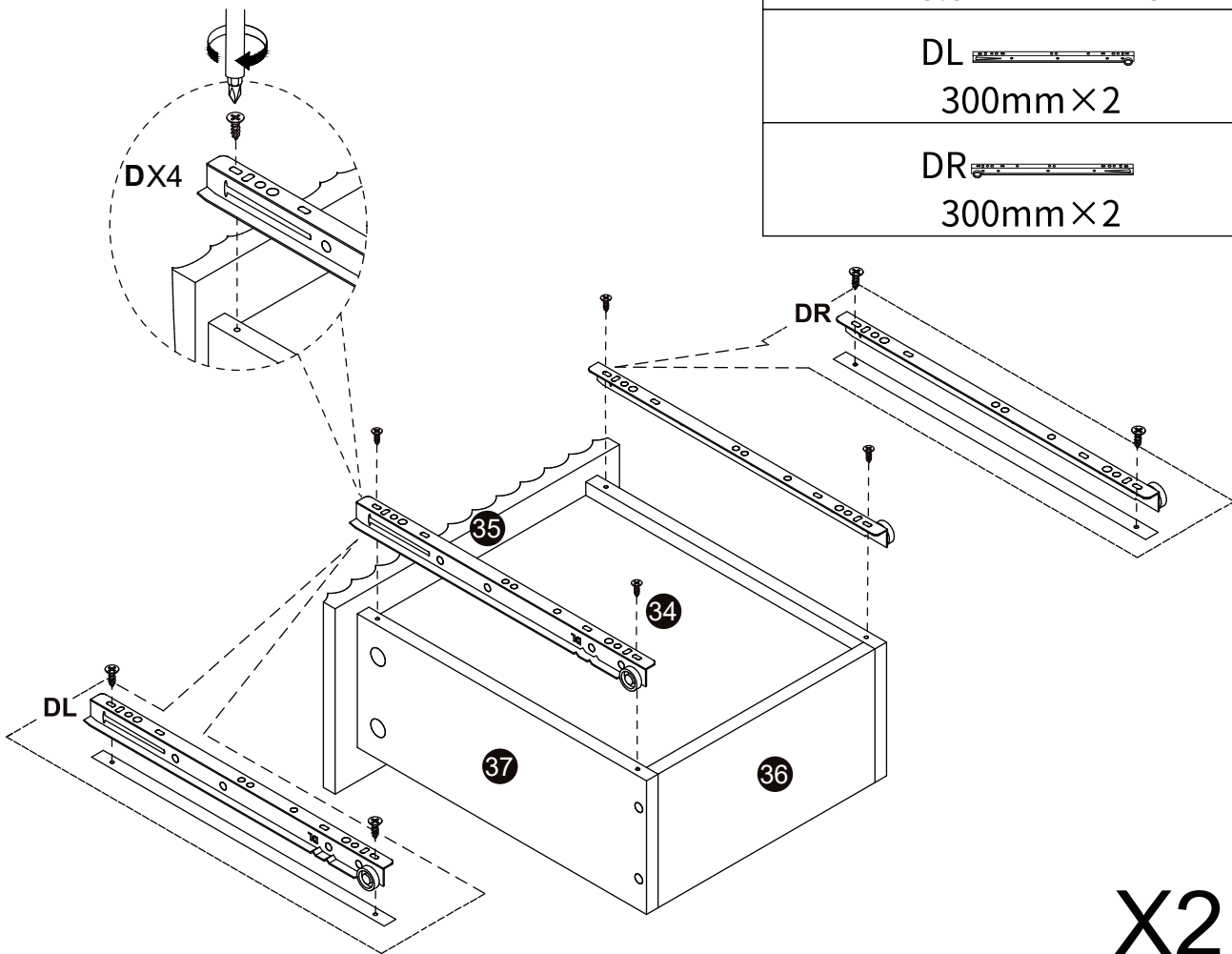
10


B 
Ø15×9mm×8





X2

11



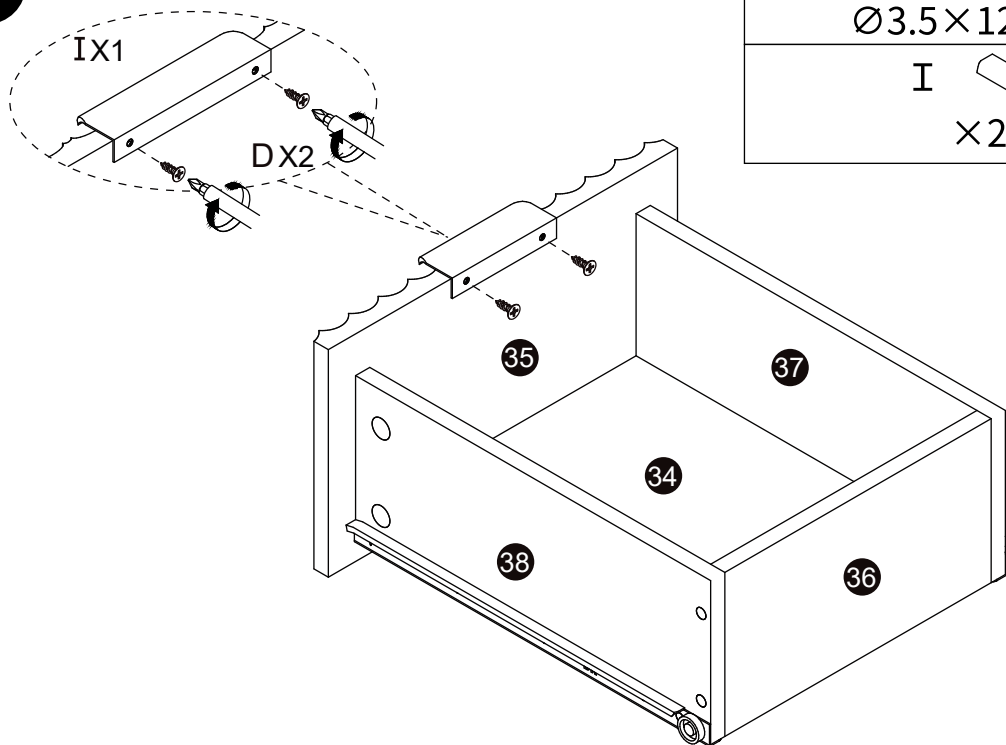
D 
 $\text{Ø}3.5 \times 12\text{mm} \times 8$


DL 
 $300\text{mm} \times 2$


DR 
 $300\text{mm} \times 2$

X2

12



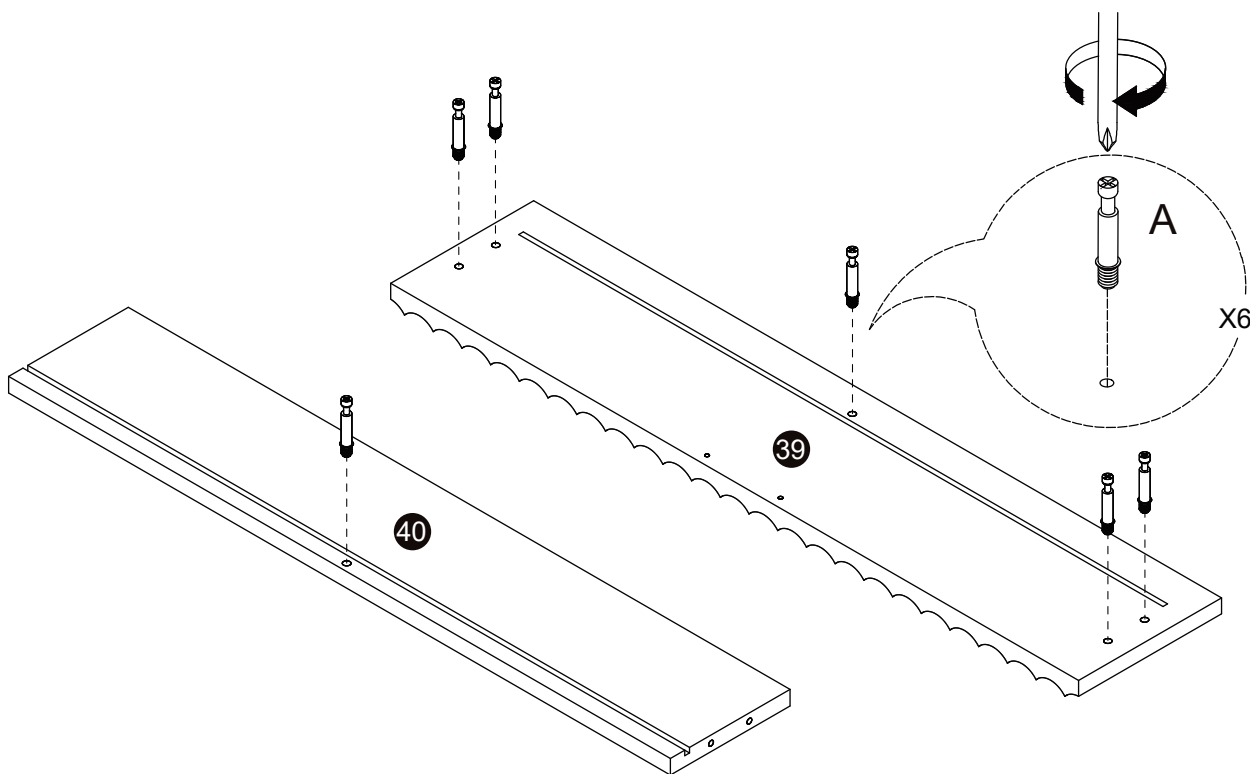
D 
 $\text{Ø}3.5 \times 12\text{mm} \times 4$

I 
 $\times 2$

X2

13

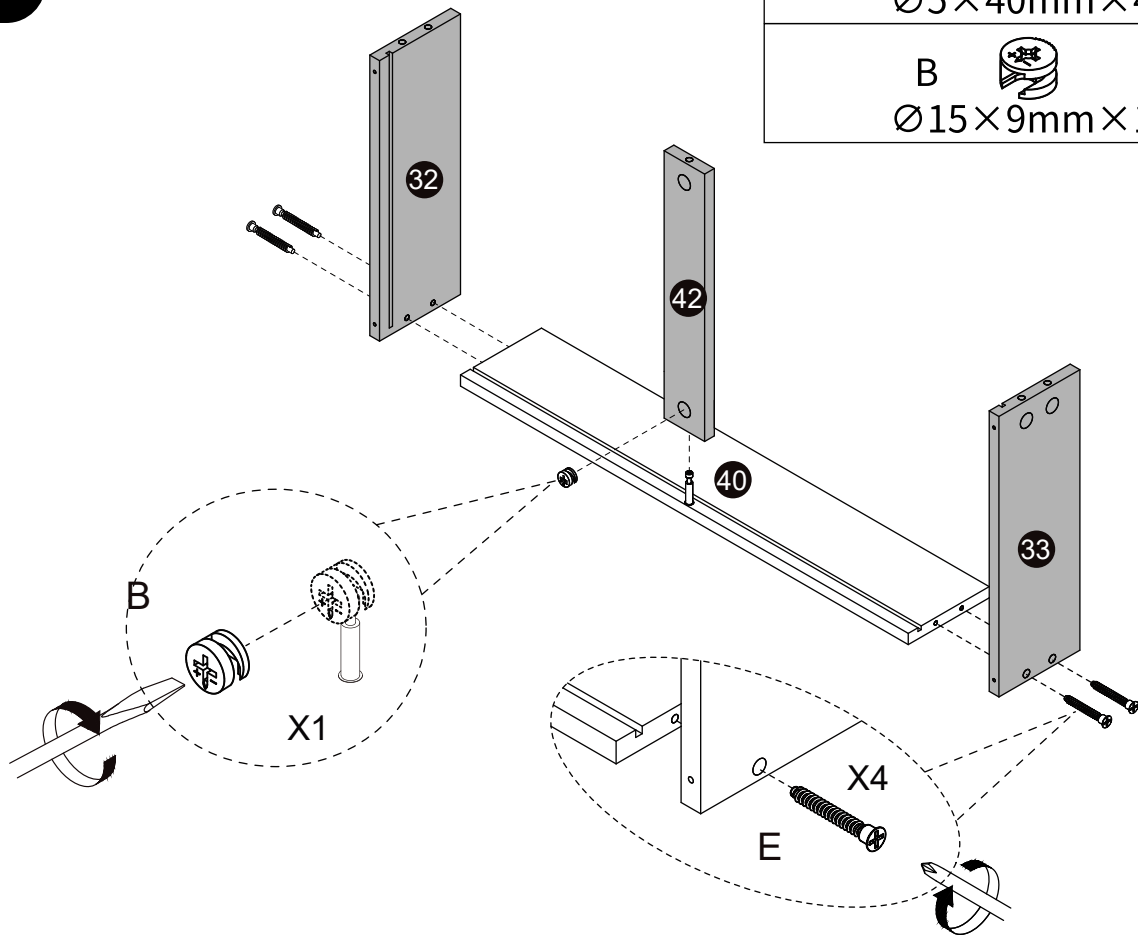
A 
Ø6×28mm×6



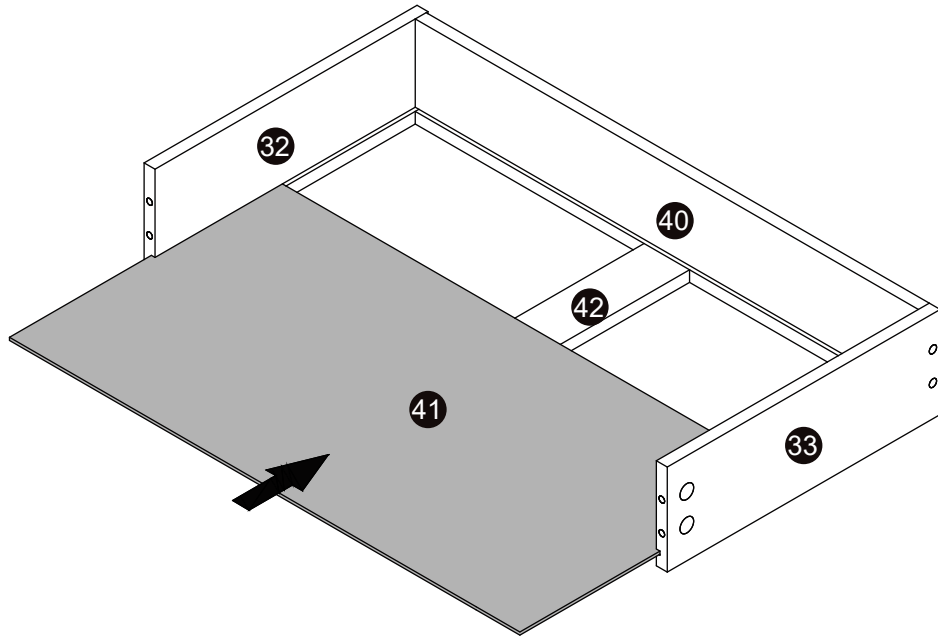
14

E 
Ø5×40mm×4

B 
Ø15×9mm×1

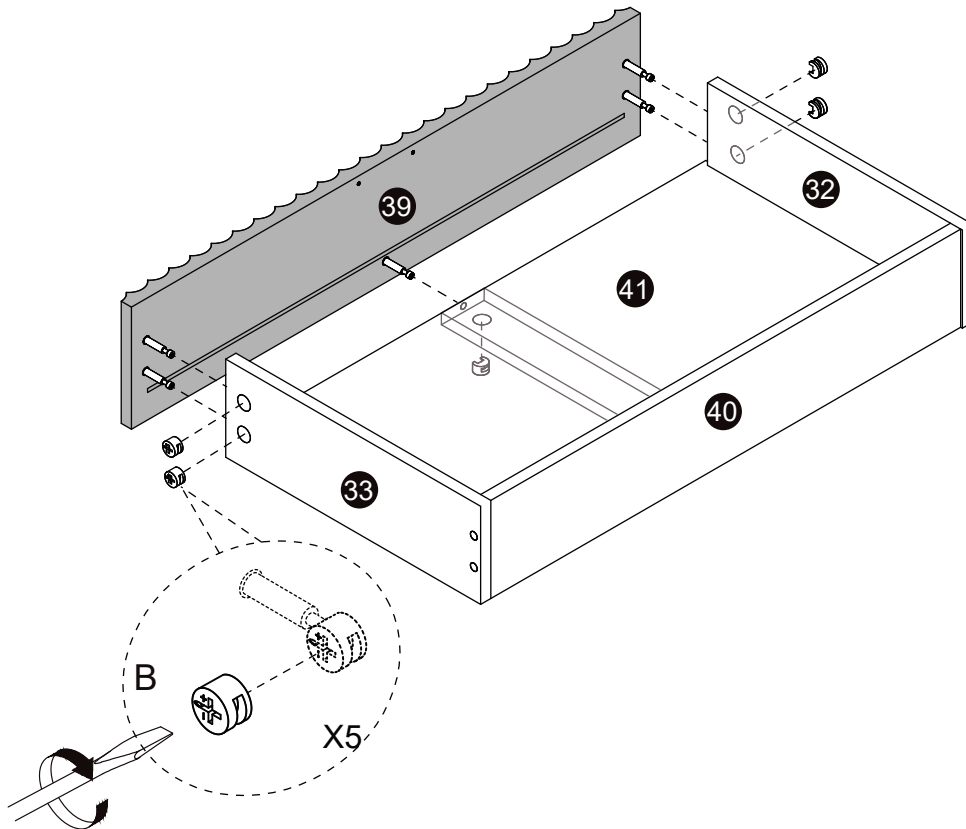


15





16


B 
Ø15×9mm×5

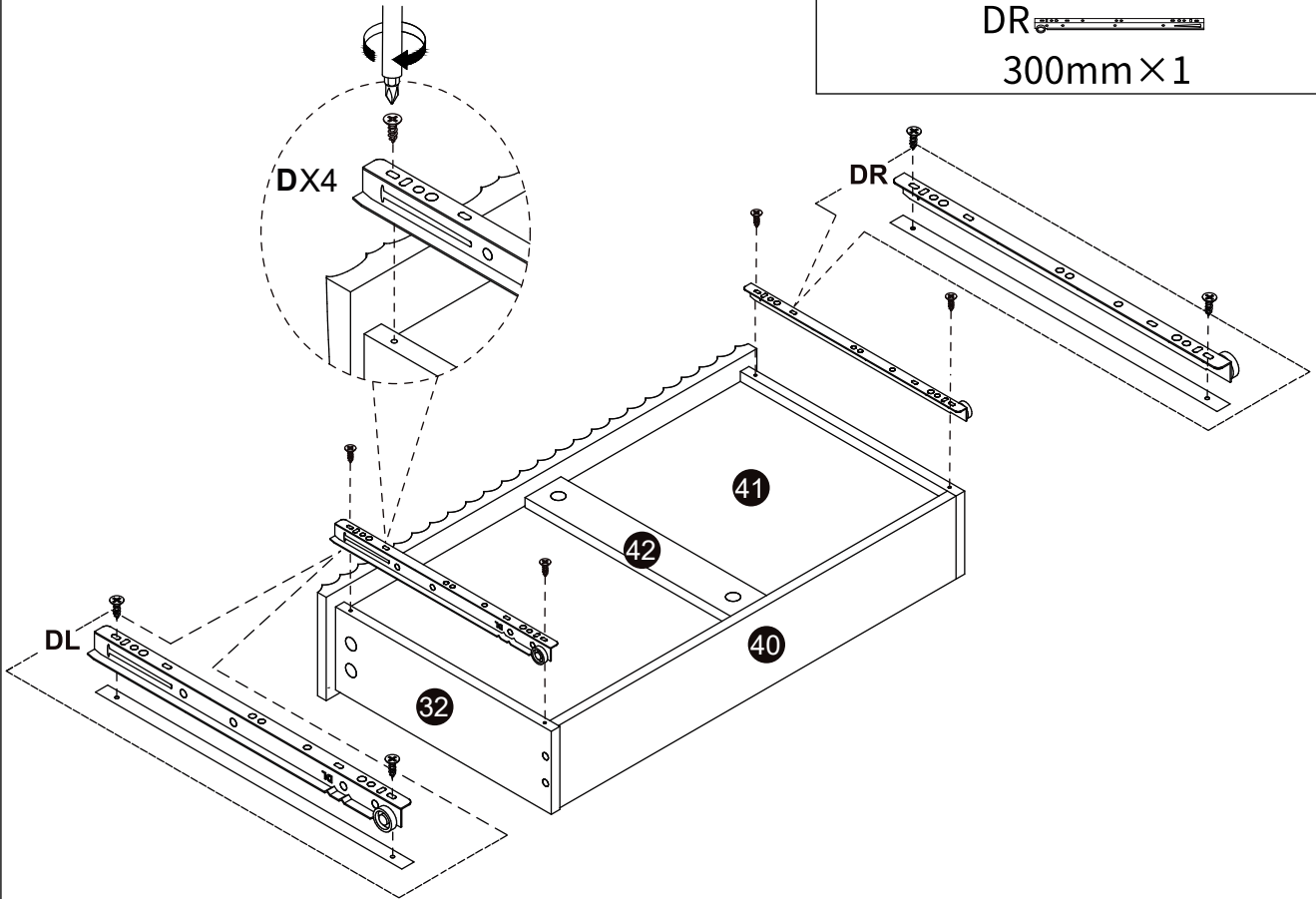


17


D 
Ø3.5×12mm×4


DL 
300mm×1

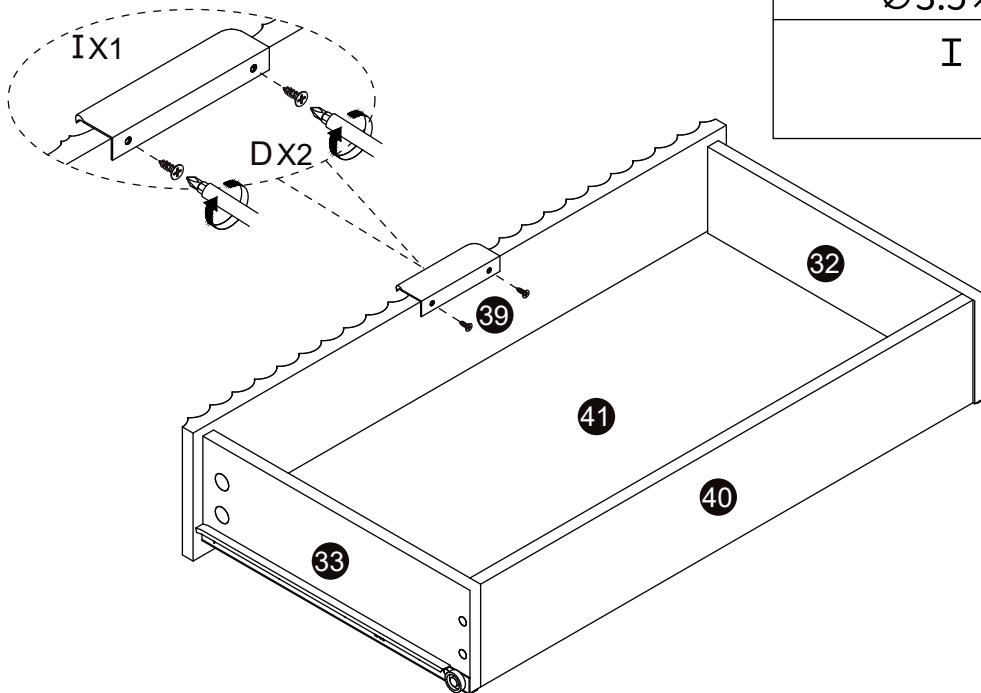
DR 
300mm×1



18

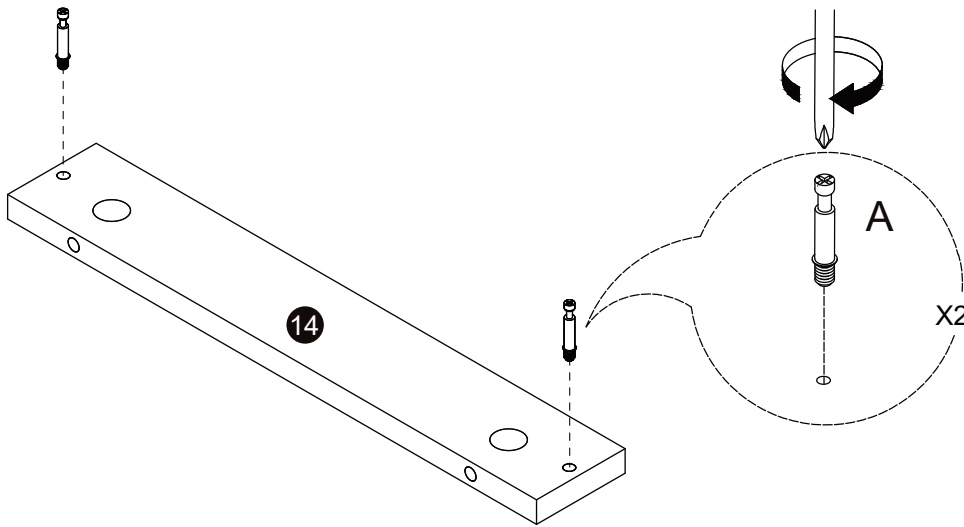
D 
Ø3.5×12mm×2

I 
×1



19

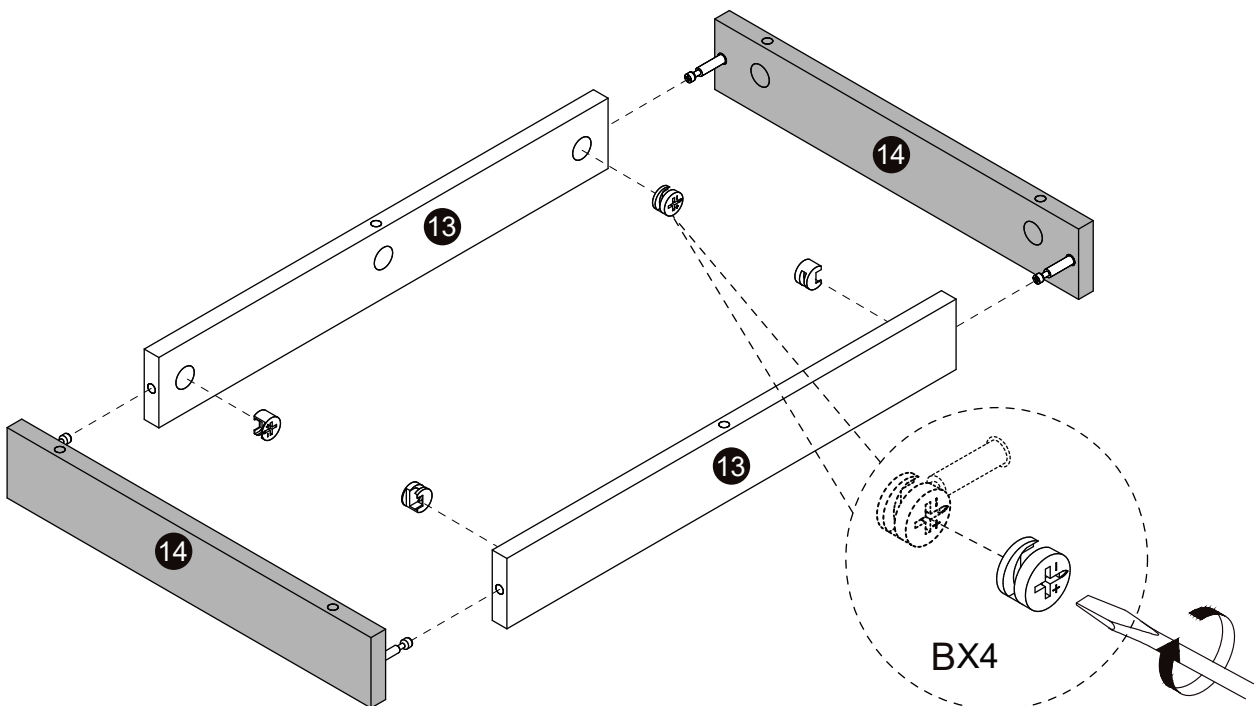
A 
Ø6×28mm×8



X4

20

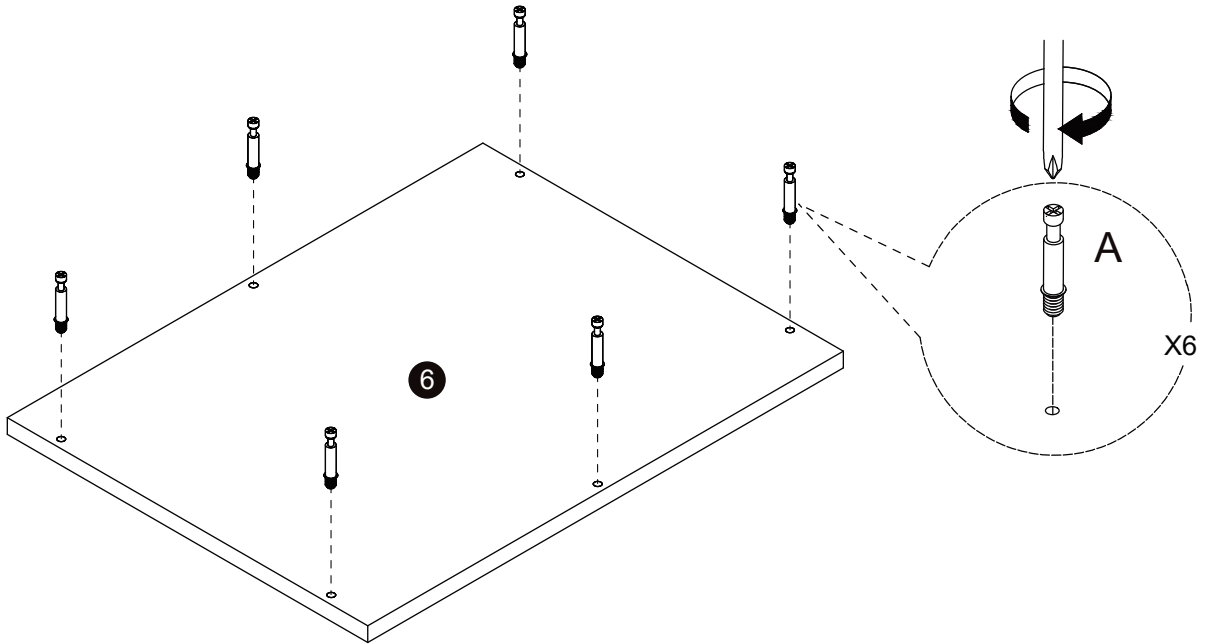
B 
Ø15×9mm×8



X2

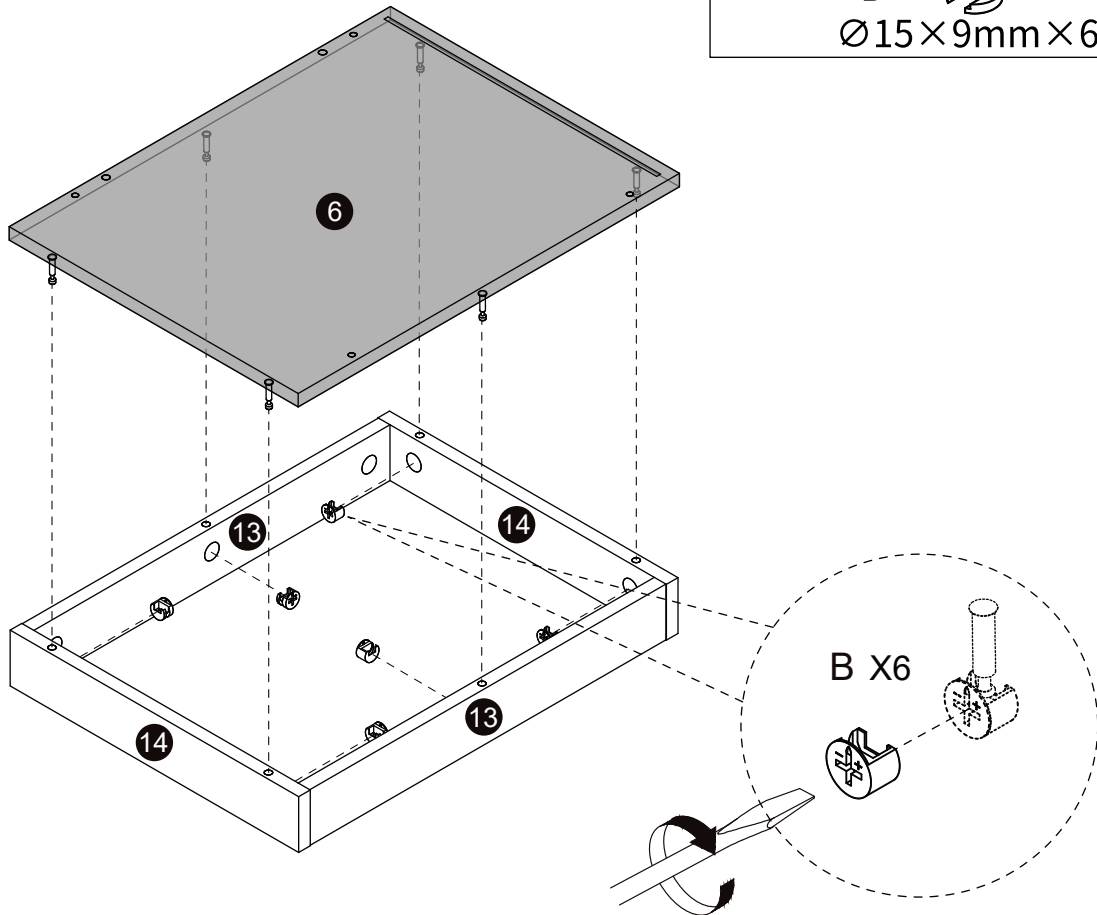
21

A 
Ø6×28mm×6



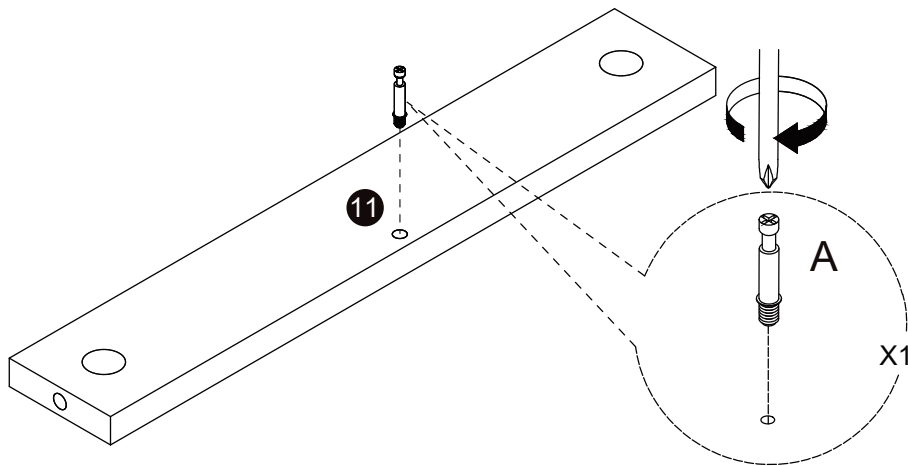
22

B 
Ø15×9mm×6



23

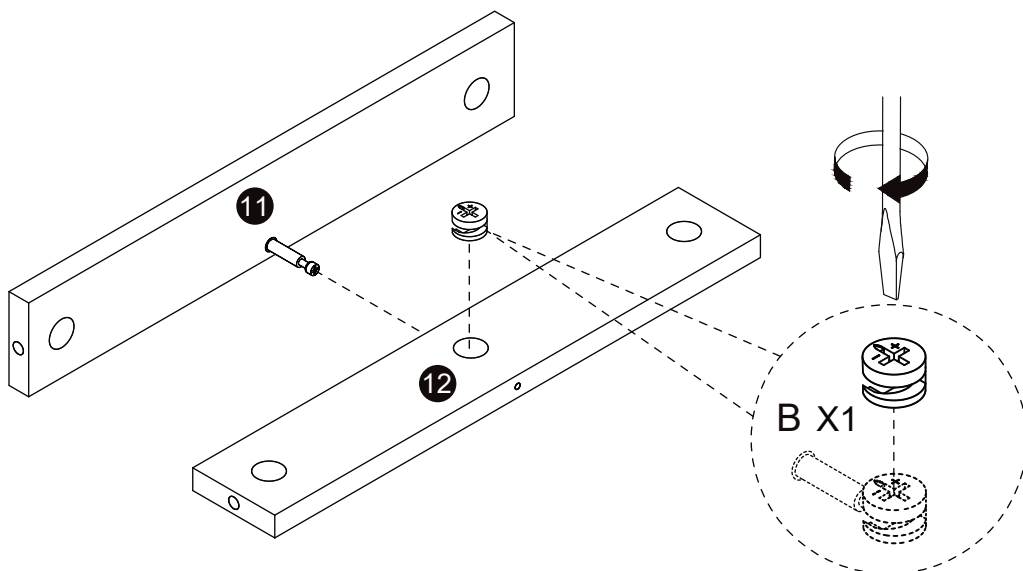
A 
Ø6×28mm×2



X2

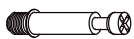
24

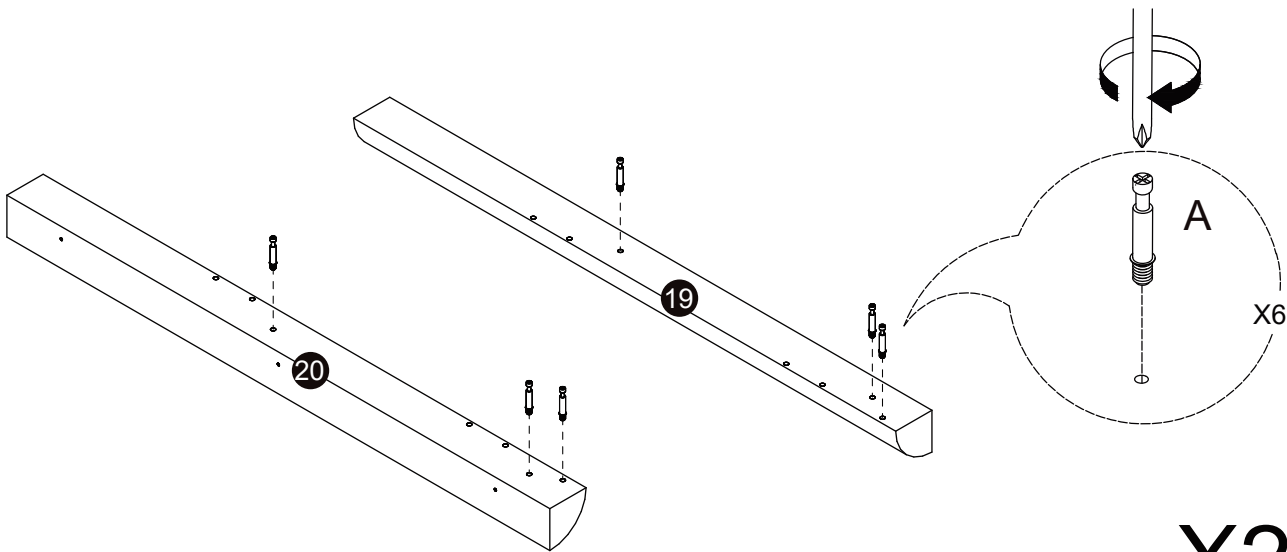
B 
Ø15×9mm×2



X2

25


A 
Ø6×28mm×12

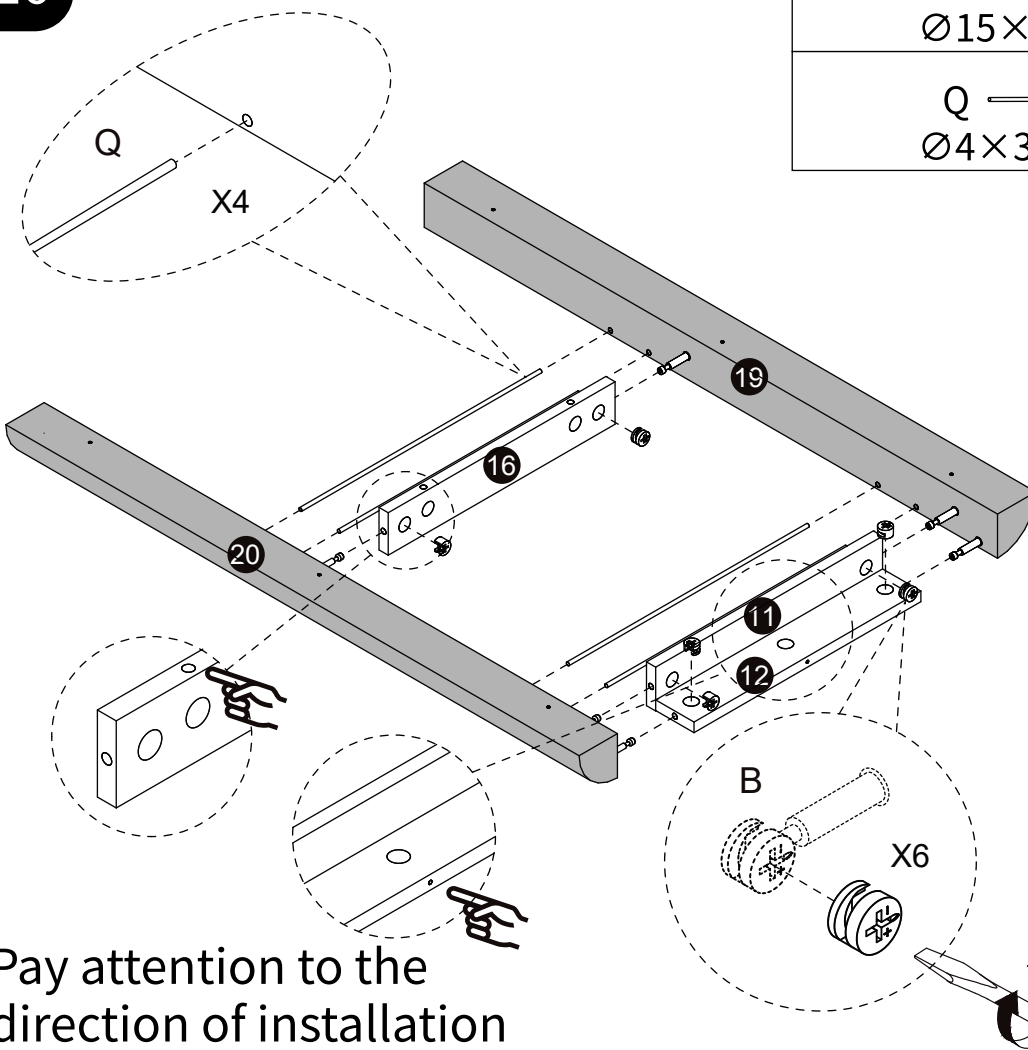


X2

26

B 
Ø15×9mm×12

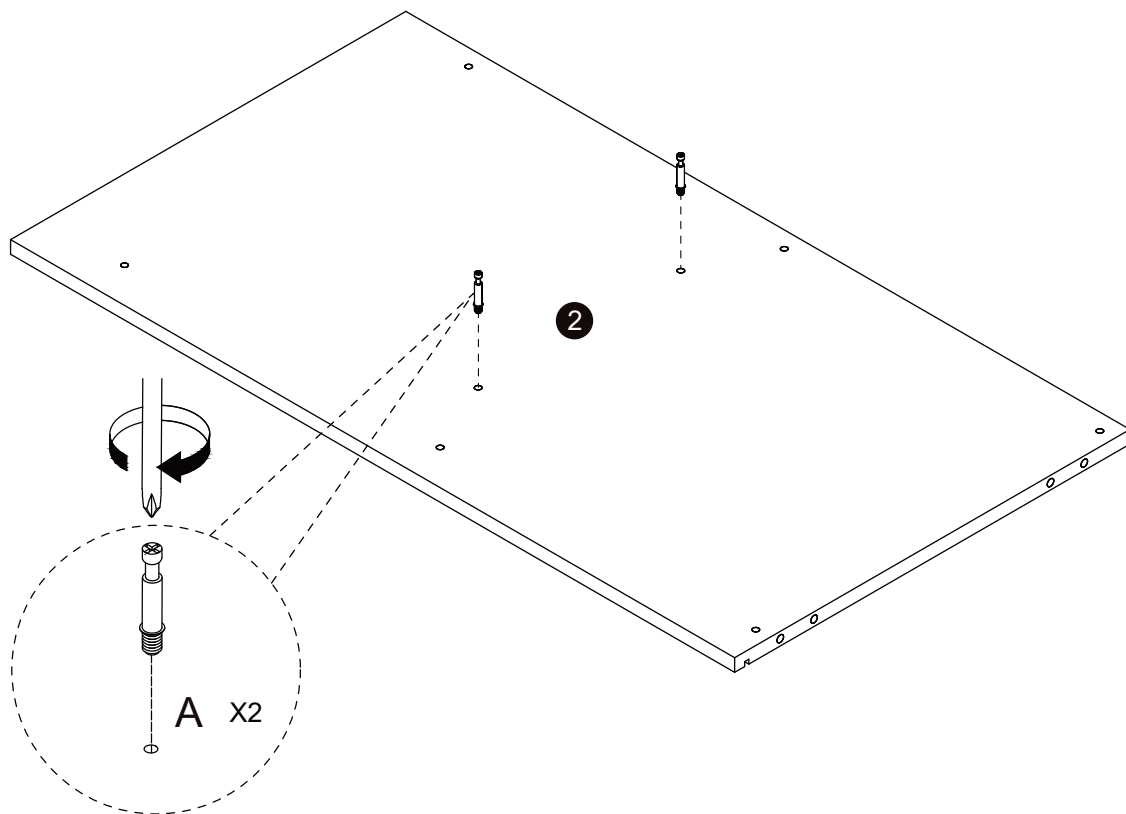
Q 
Ø4×310mm×8




X2

Pay attention to the direction of installation

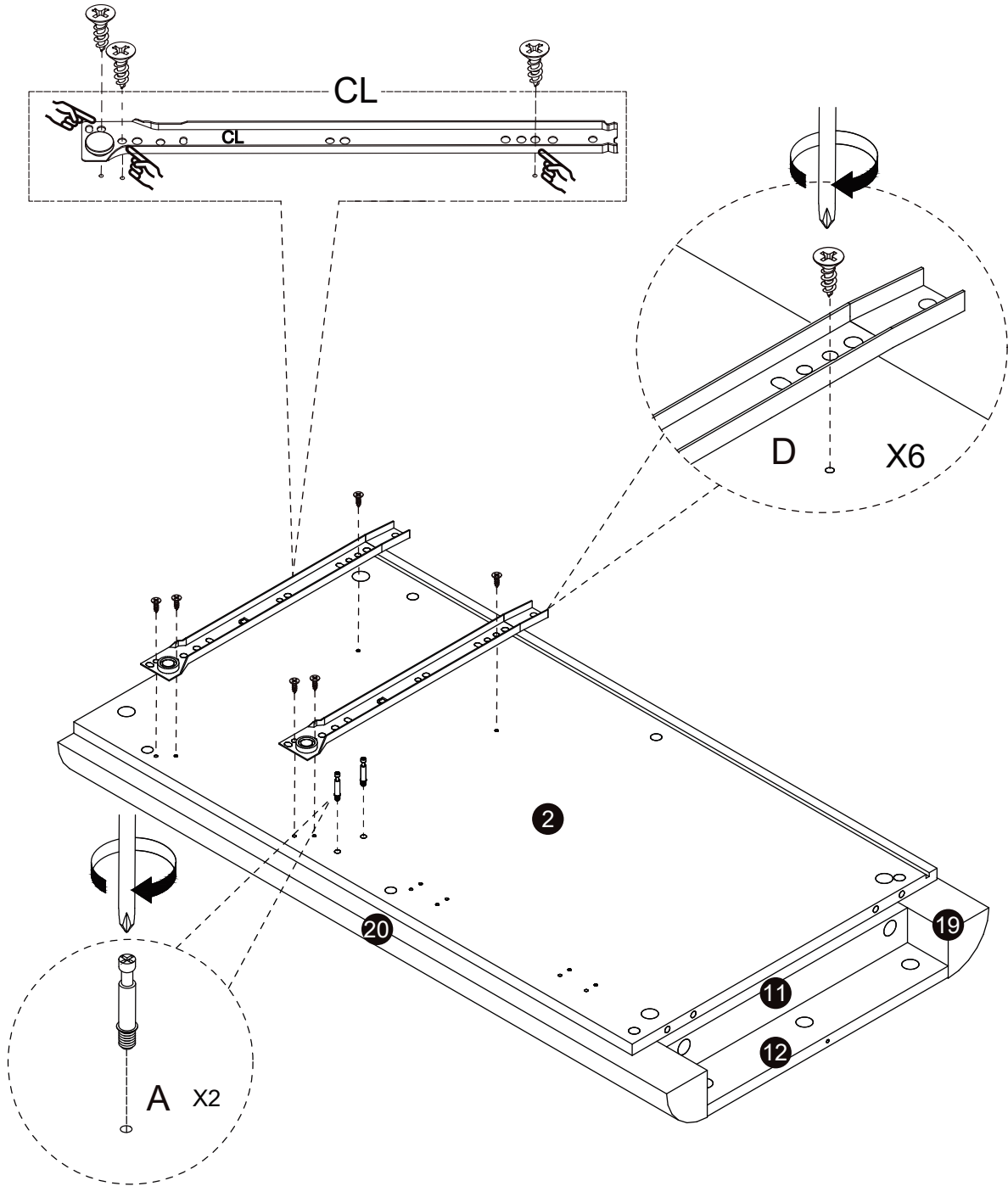
A 
Ø6×28mm×2



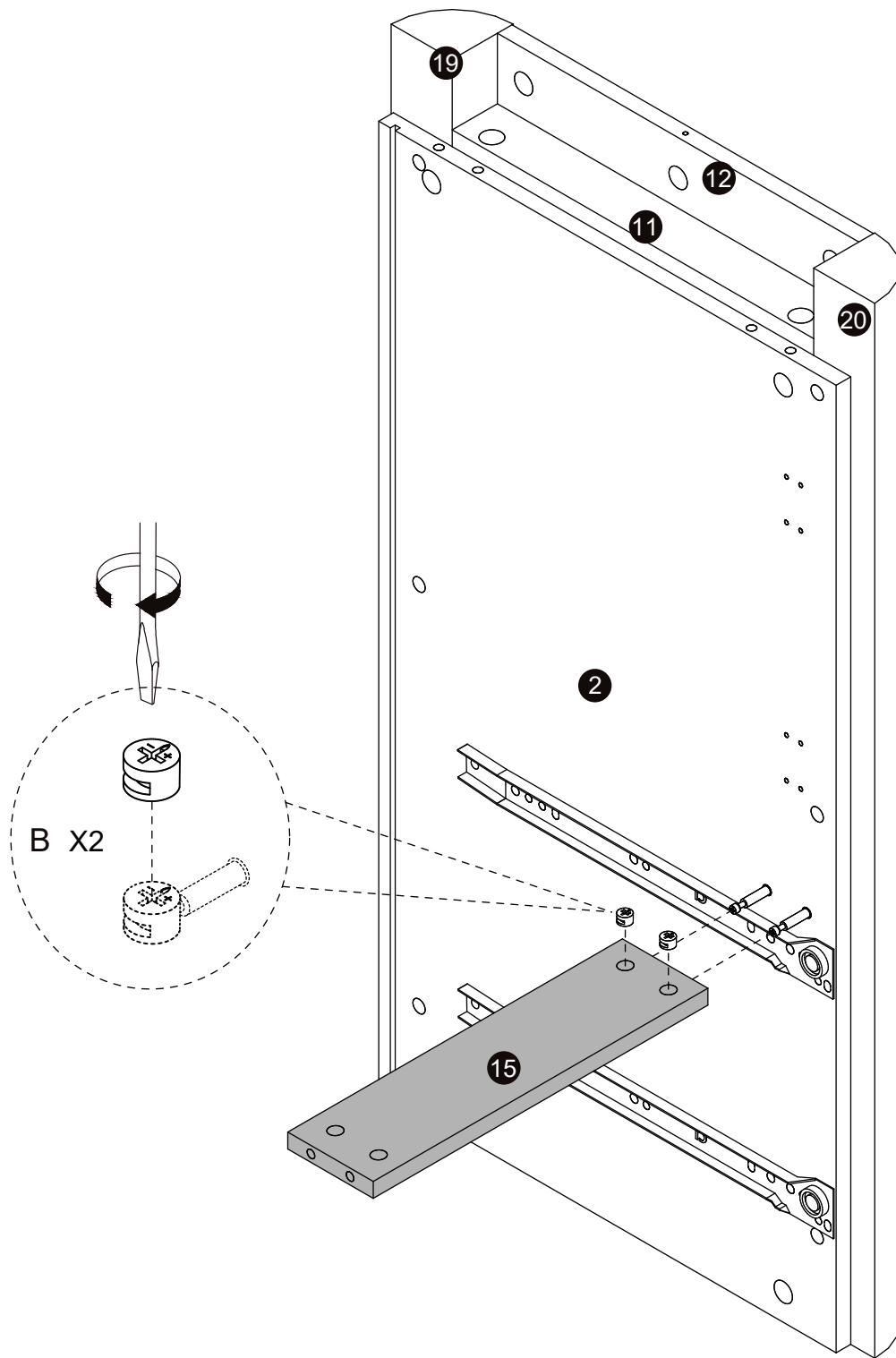
D 
 Ø3.5×12mm×6

CL 
 300mm×2


A 
 Ø6×28mm×2



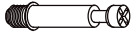
B 
Ø15×9mm×2

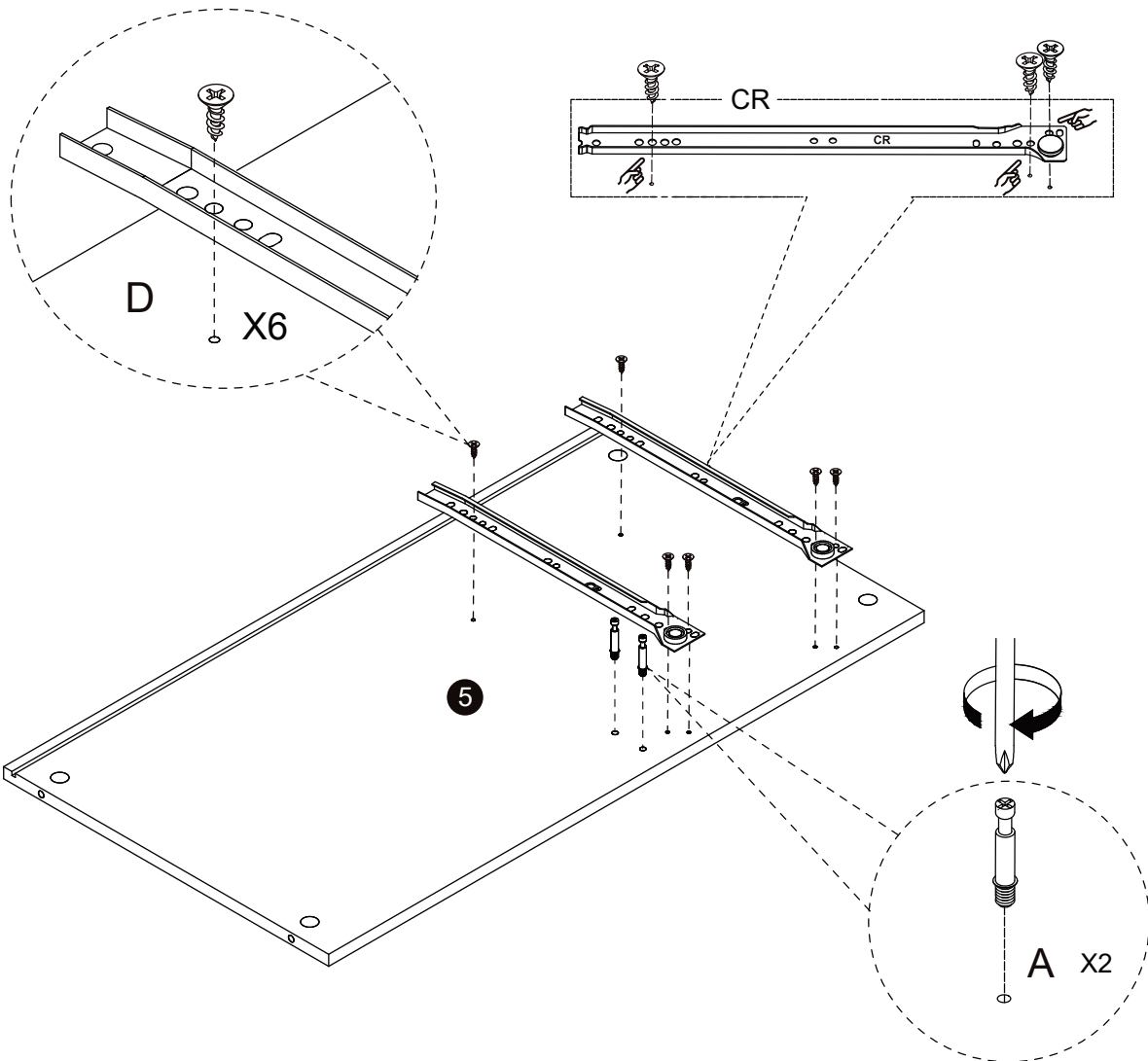


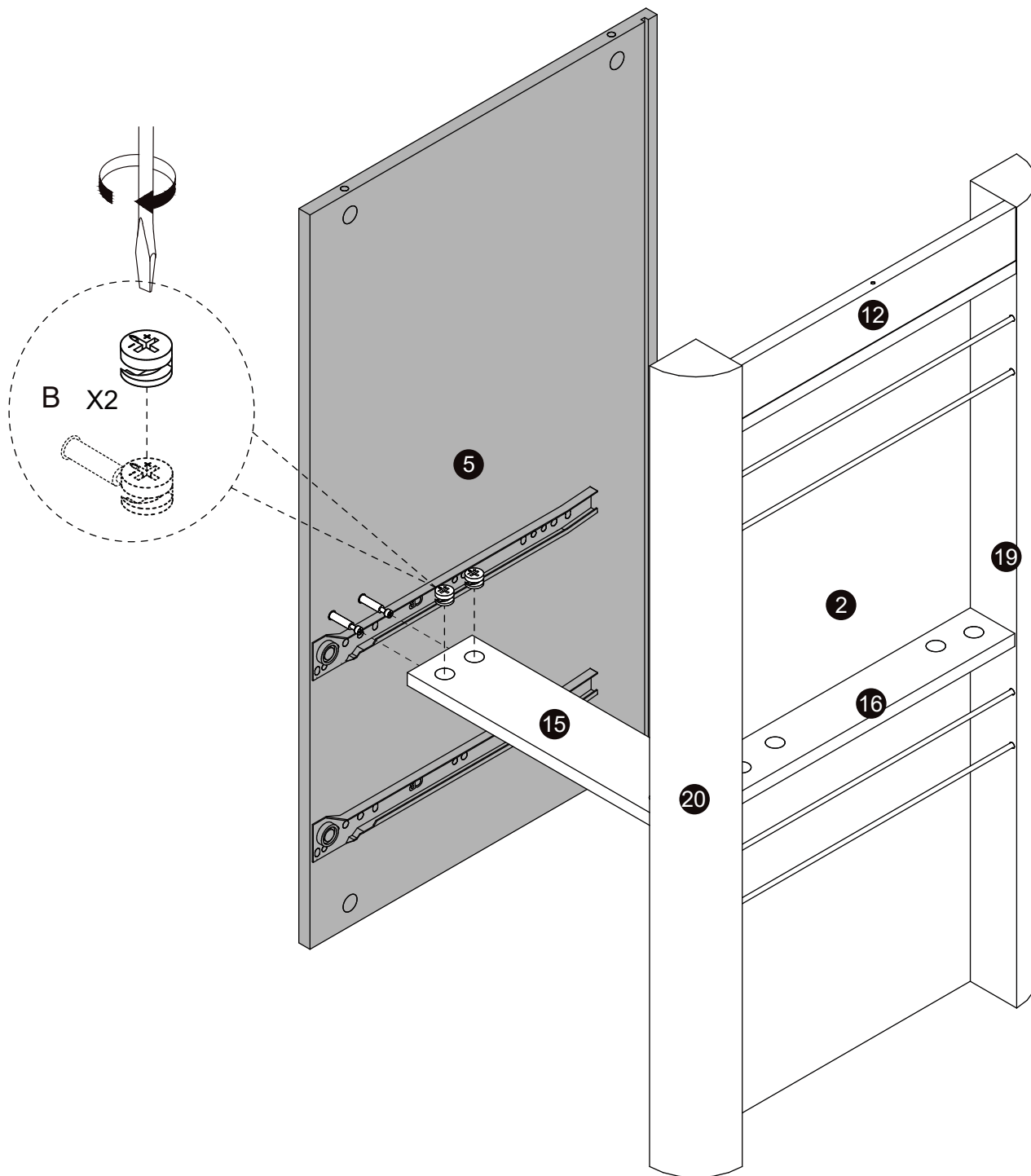
31

D 
Ø3.5×12mm×6

CR 
300mm×2

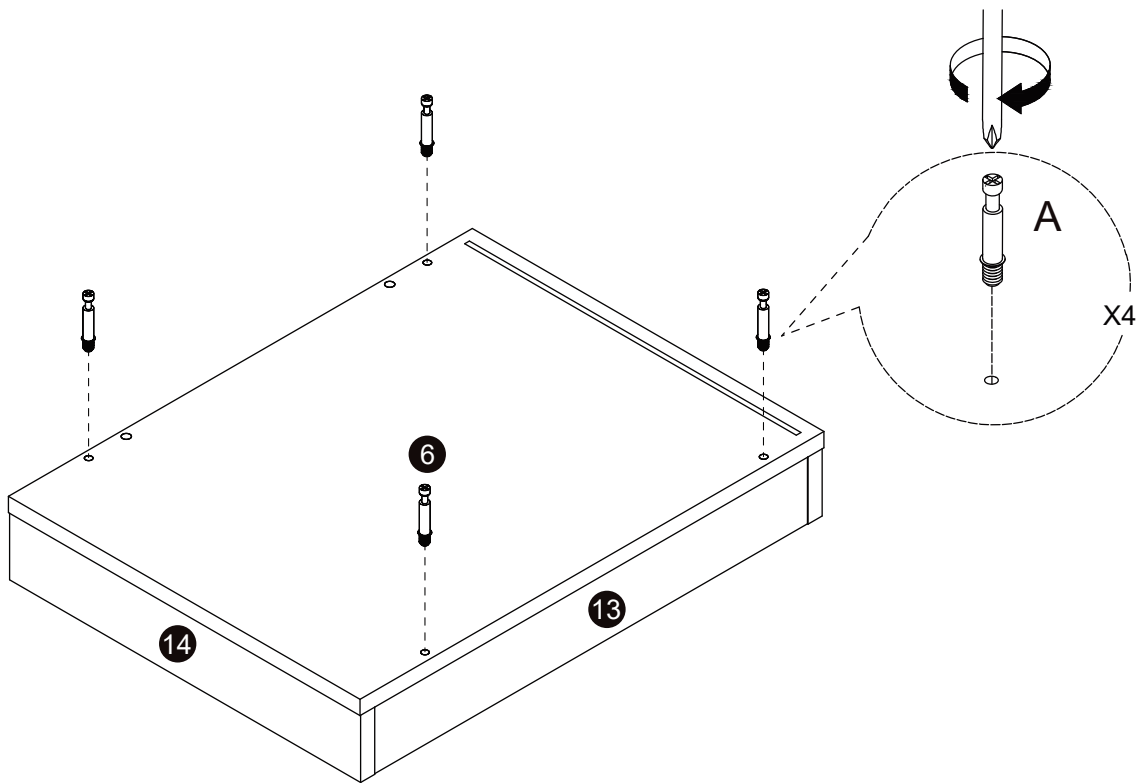
A 
Ø6×28mm×2






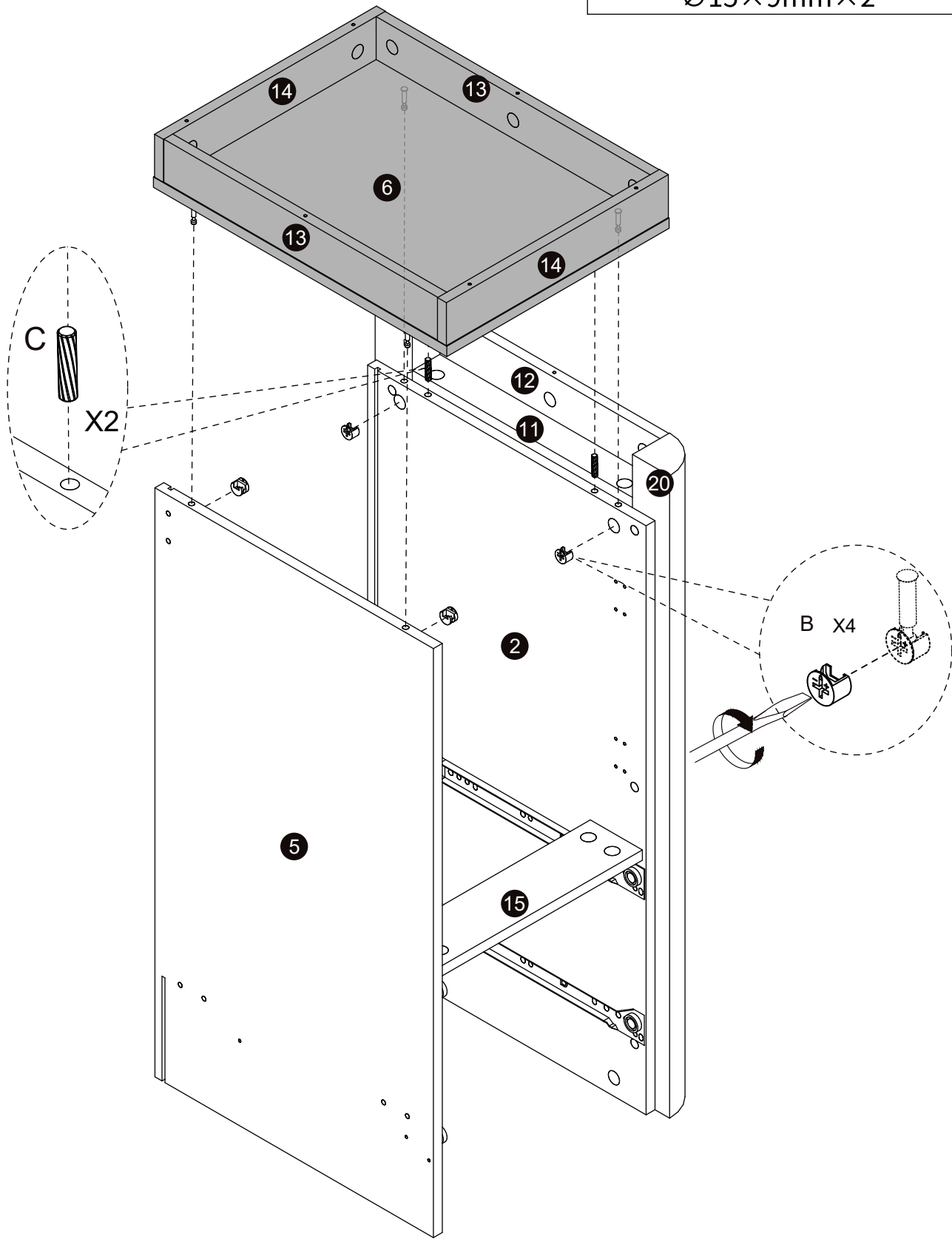
33

A 
Ø6×28mm×4



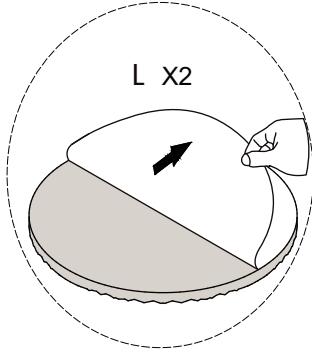
B 
 Ø15×9mm×4

C 
 Ø15×9mm×2

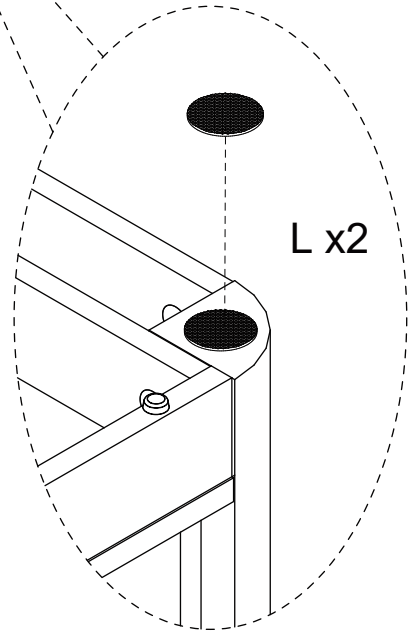
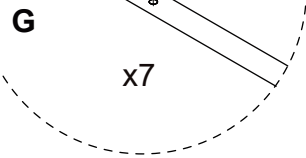
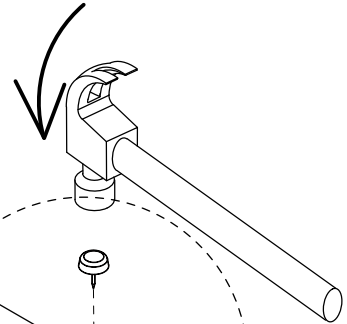
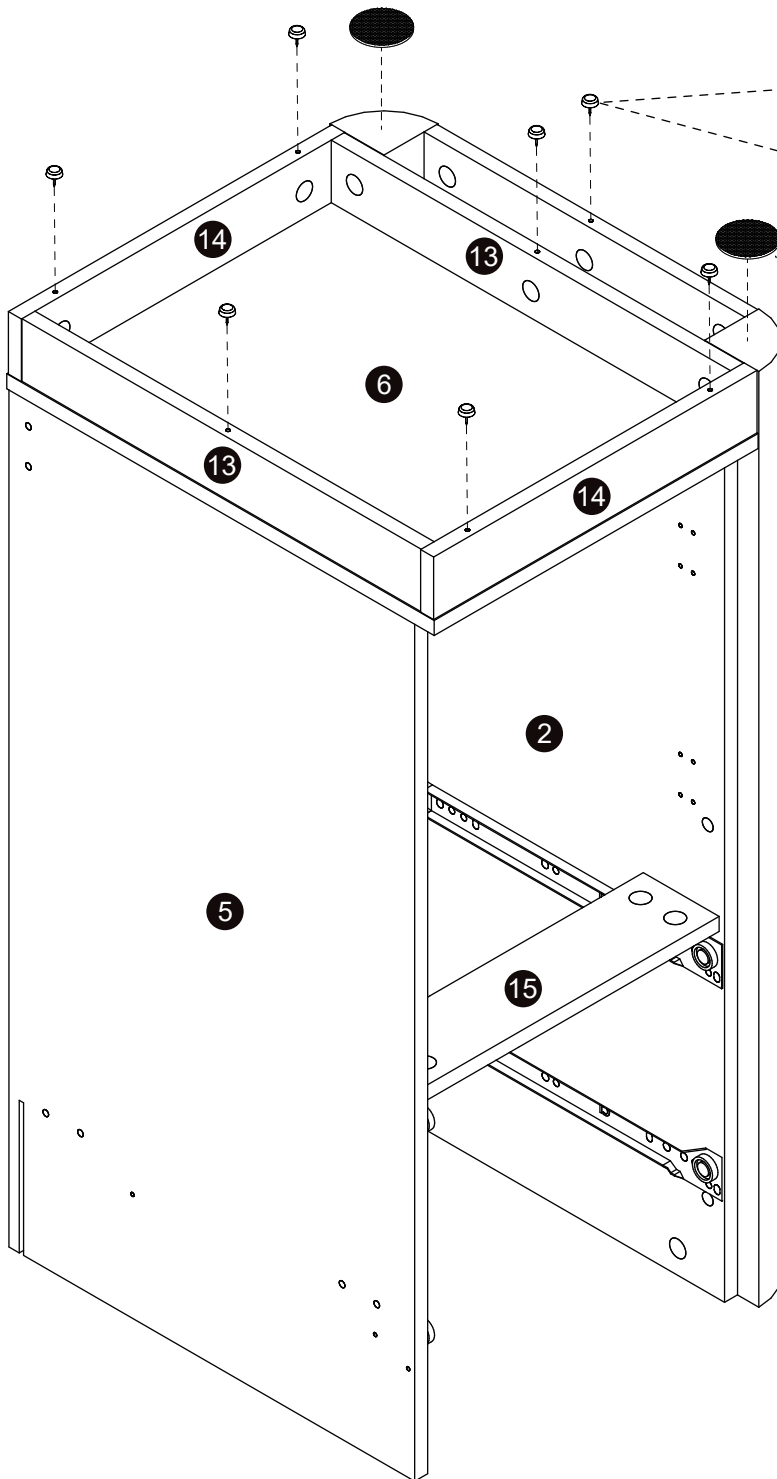


35

Be careful, tear off the adhesive backing

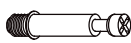


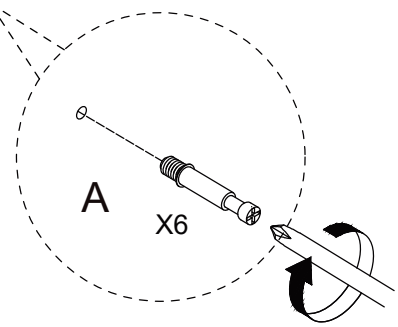
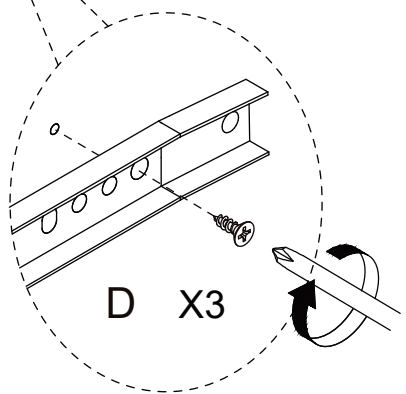
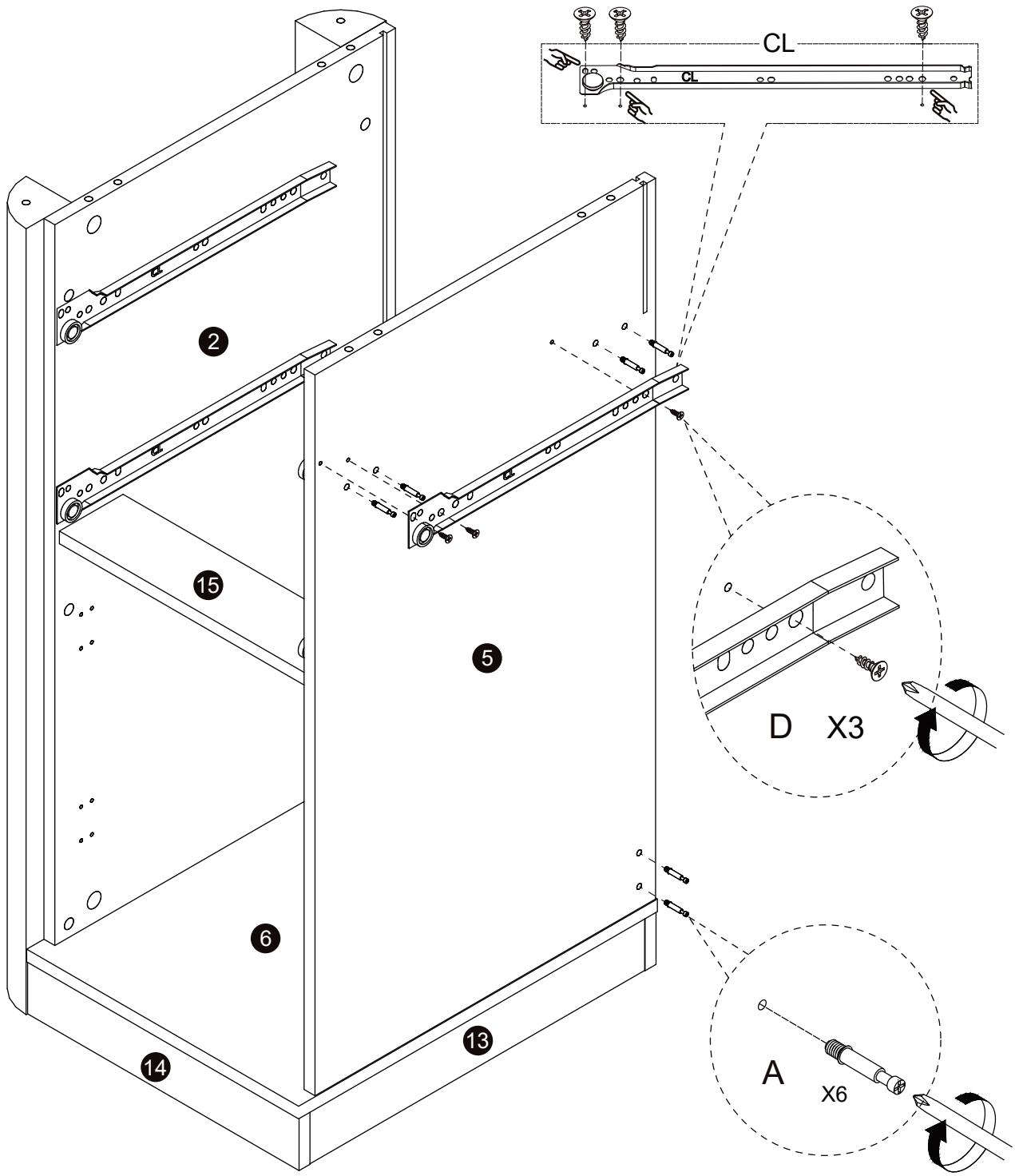
G	
	x7
L	
	x2



D 
 Ø3.5×12mm×3

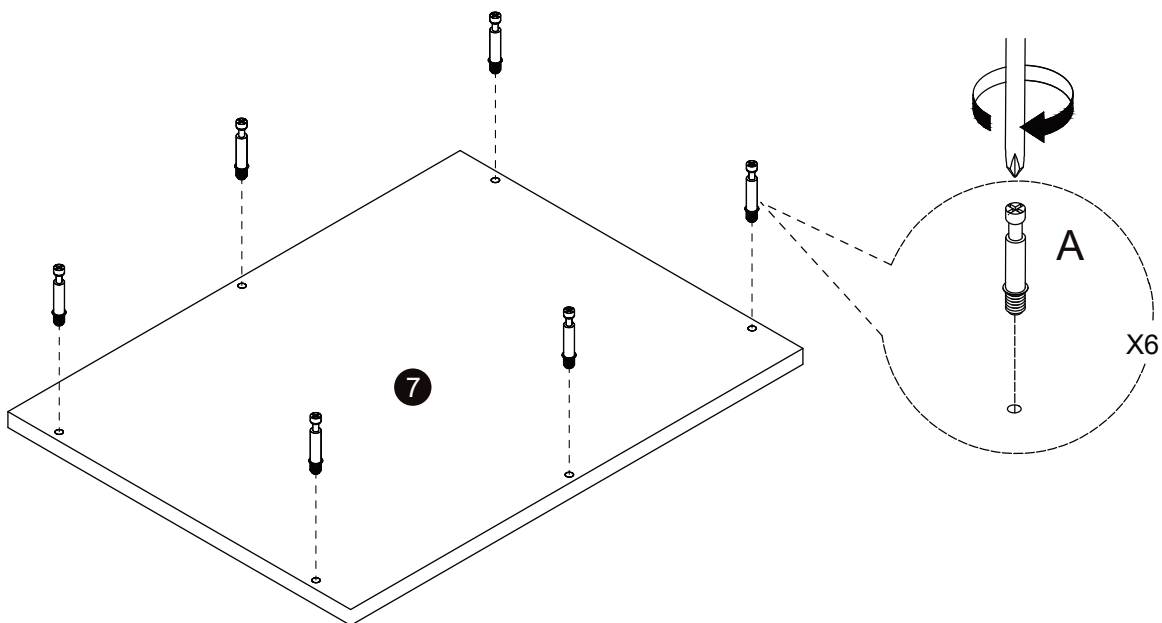
CL 
 300mm×1

A 
 Ø6×28mm×6



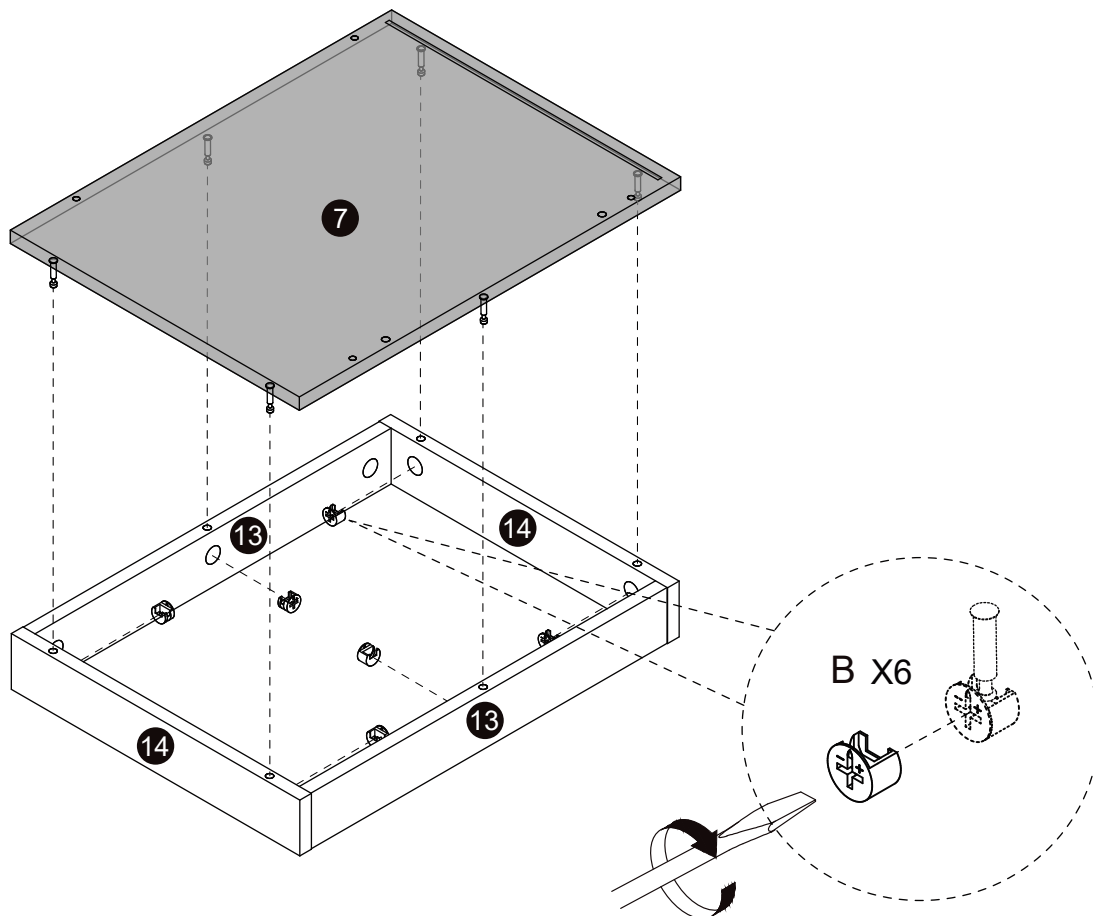
37

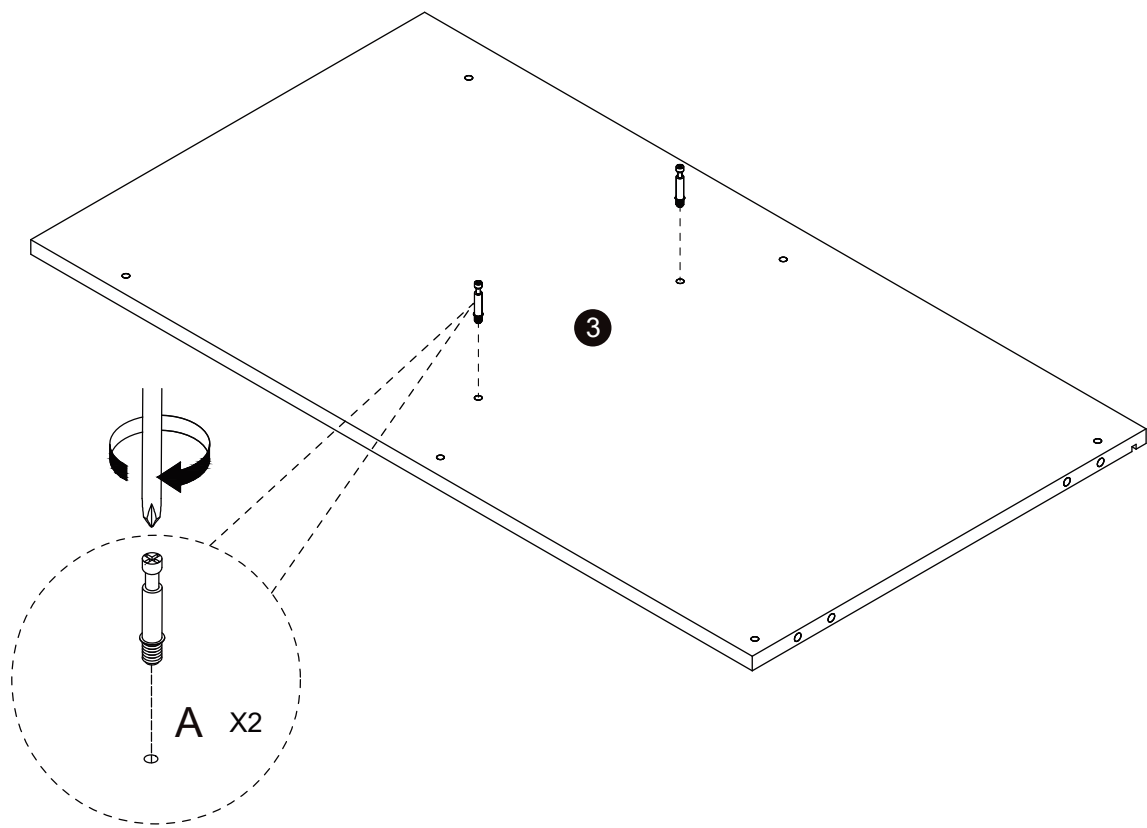
A 
Ø6×28mm×6



38

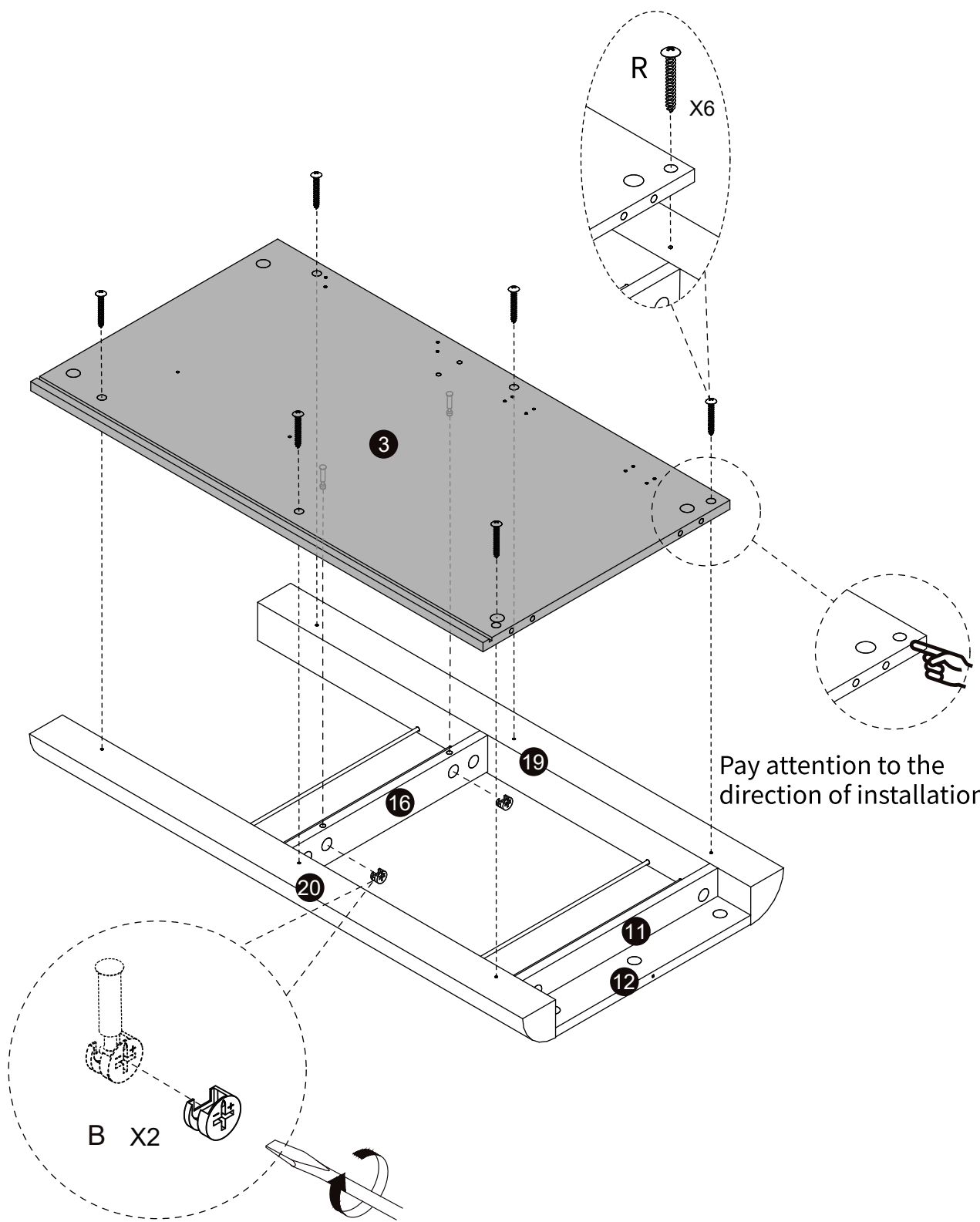
B 
Ø15×9mm×6





R 
 Ø4×30mm×6

B 
 Ø15×9mm×2

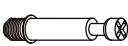


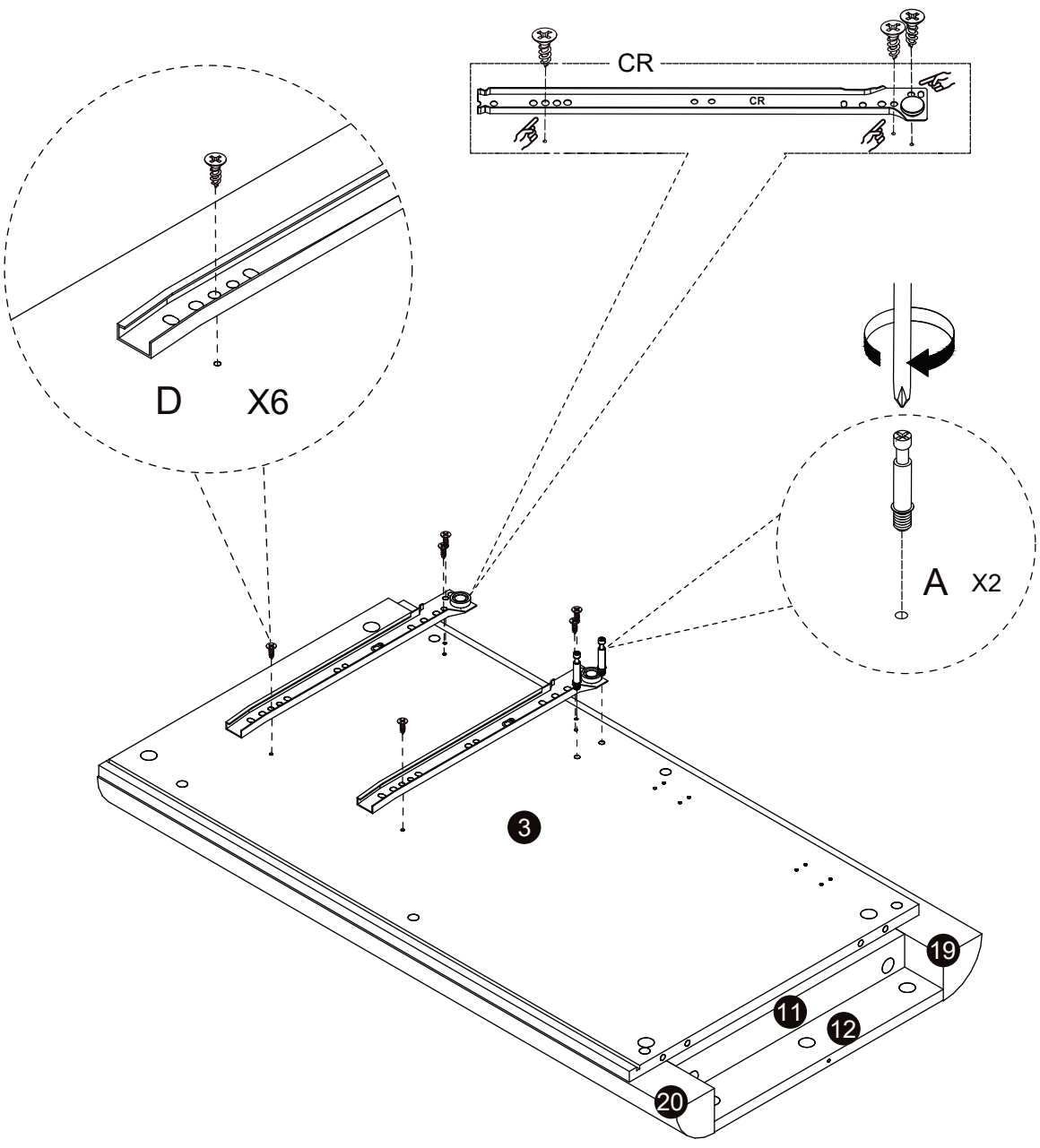
Pay attention to the direction of installation

B X2

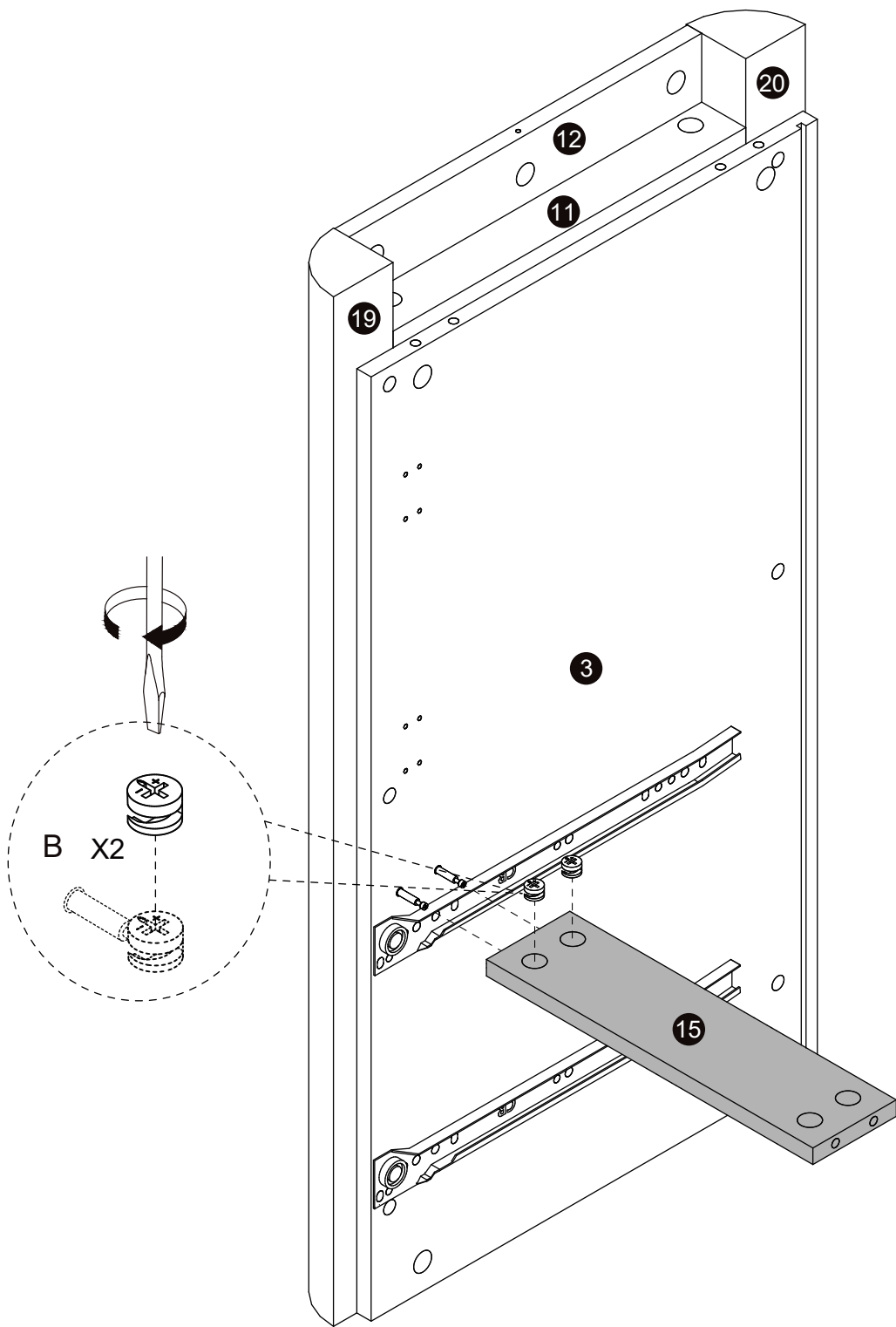
D 
Ø3.5×12mm×6

CR 
300mm×2

A 
Ø6×28mm×2



B 
Ø15×9mm×2

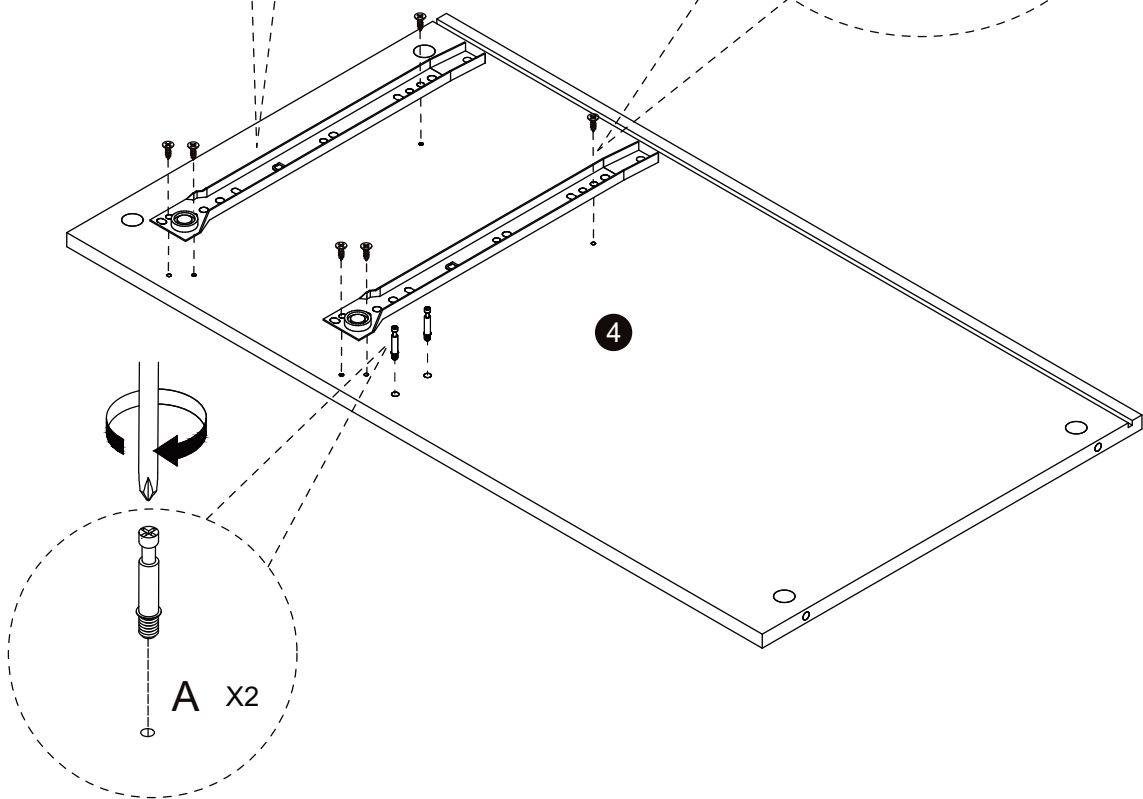
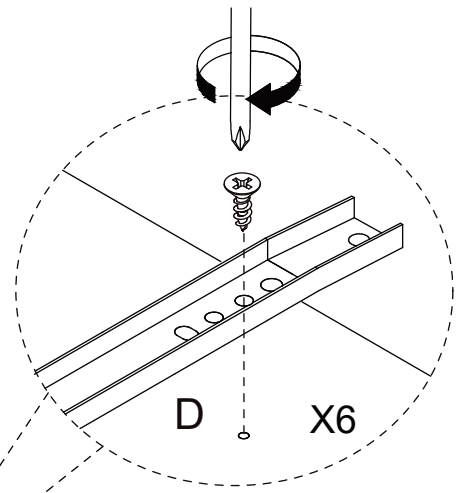
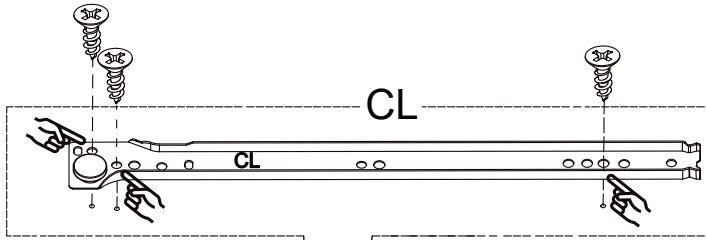


43

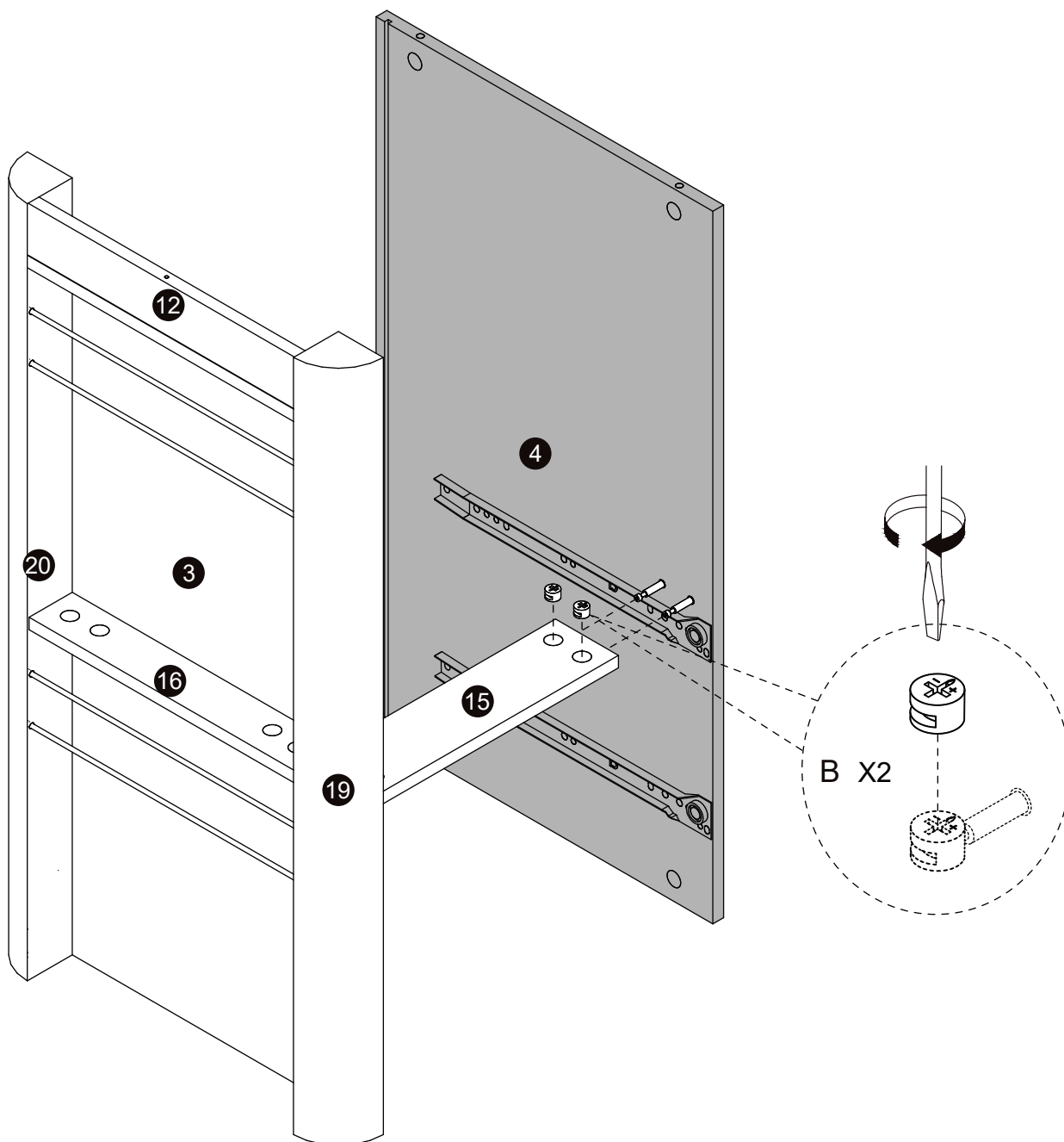
D 
Ø3.5×12mm×6

CL 
300mm×2

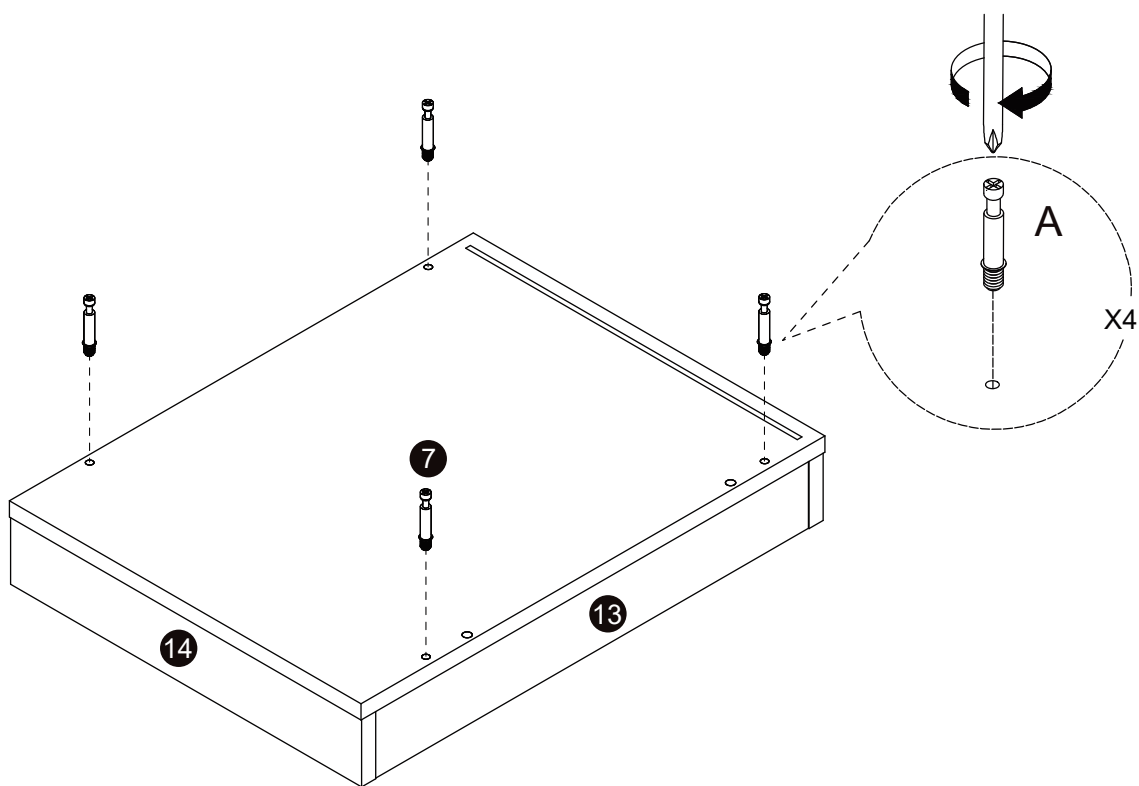
A 
Ø6×28mm×2




B 
Ø15×9mm×2

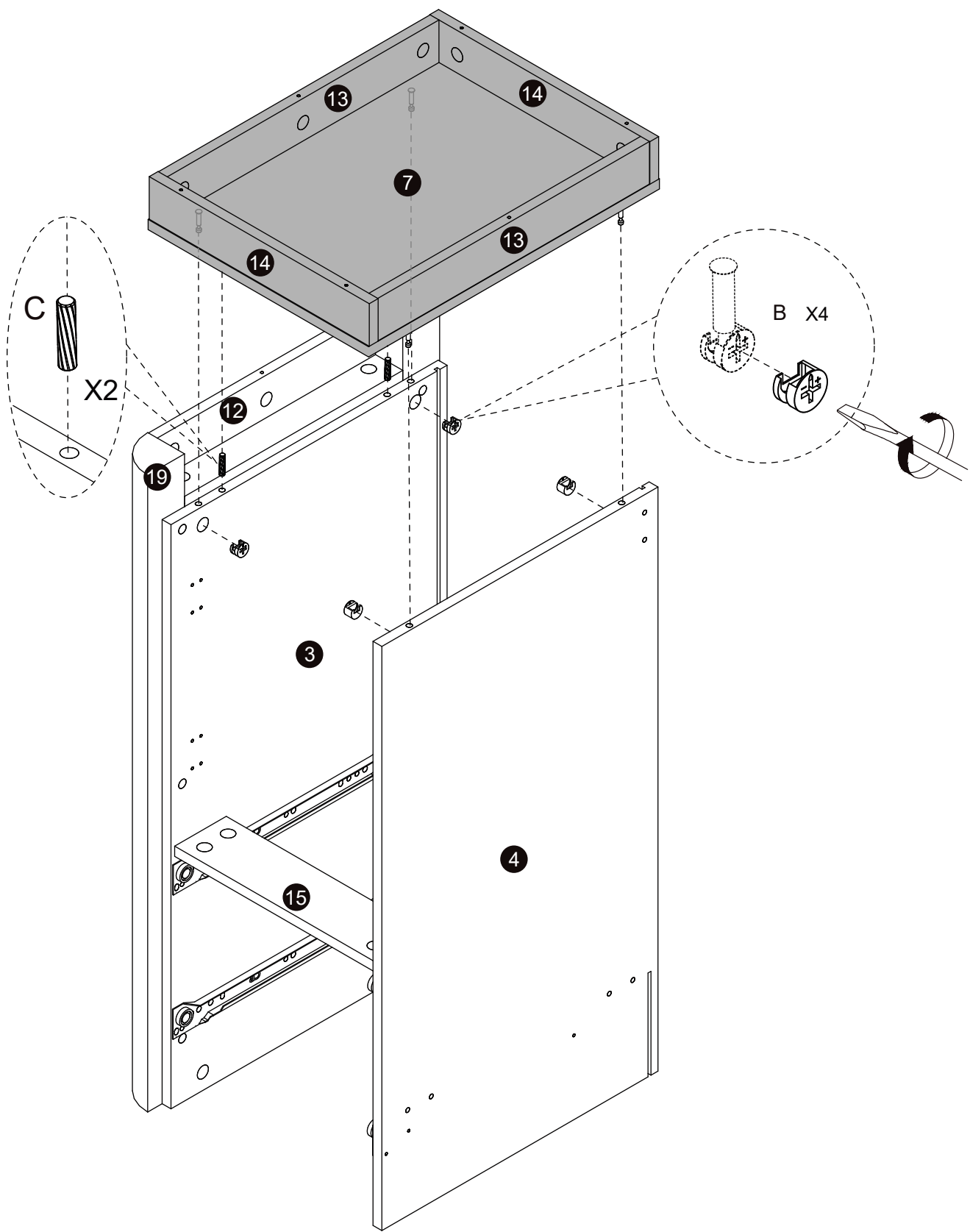


A 
Ø6×28mm×4



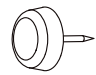
B 
Ø15×9mm×4


C 
Ø15×9mm×2

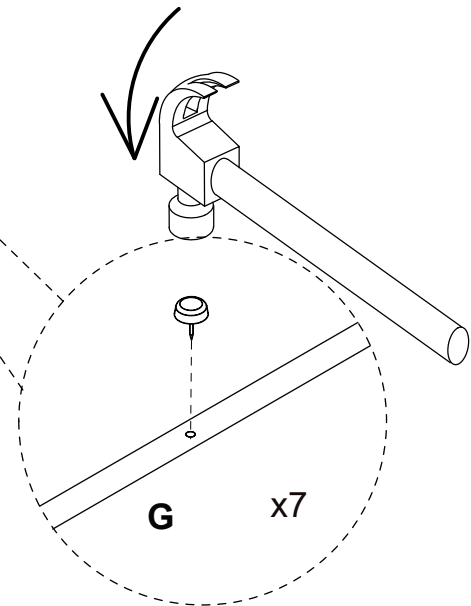
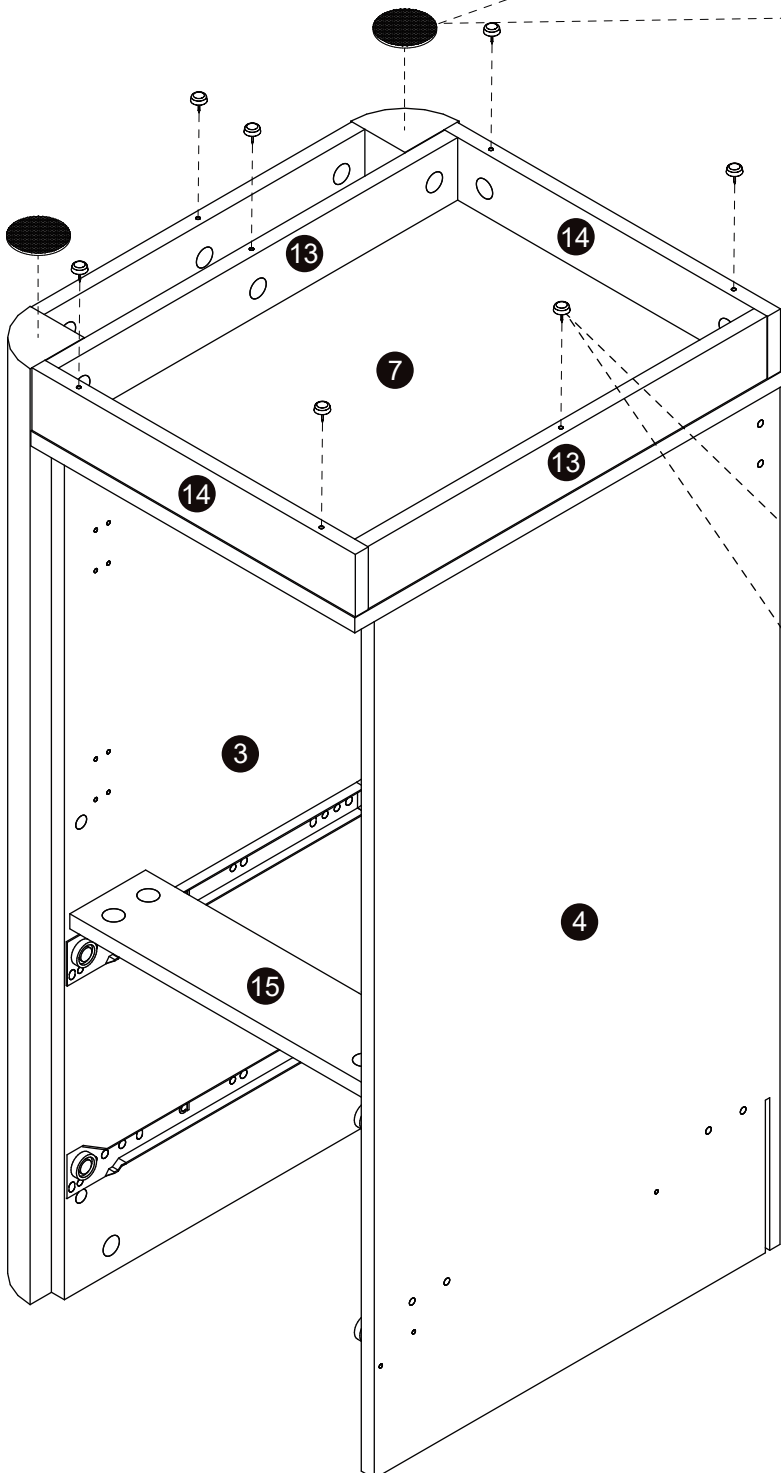
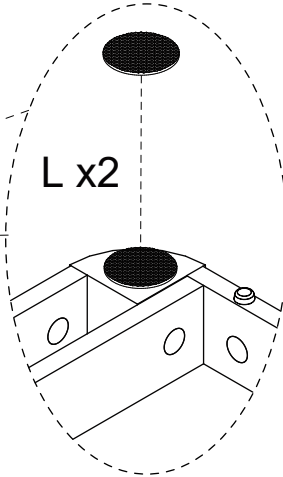
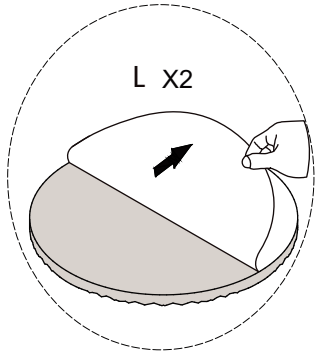



47

Be careful, tear off the adhesive backing

G 
x7

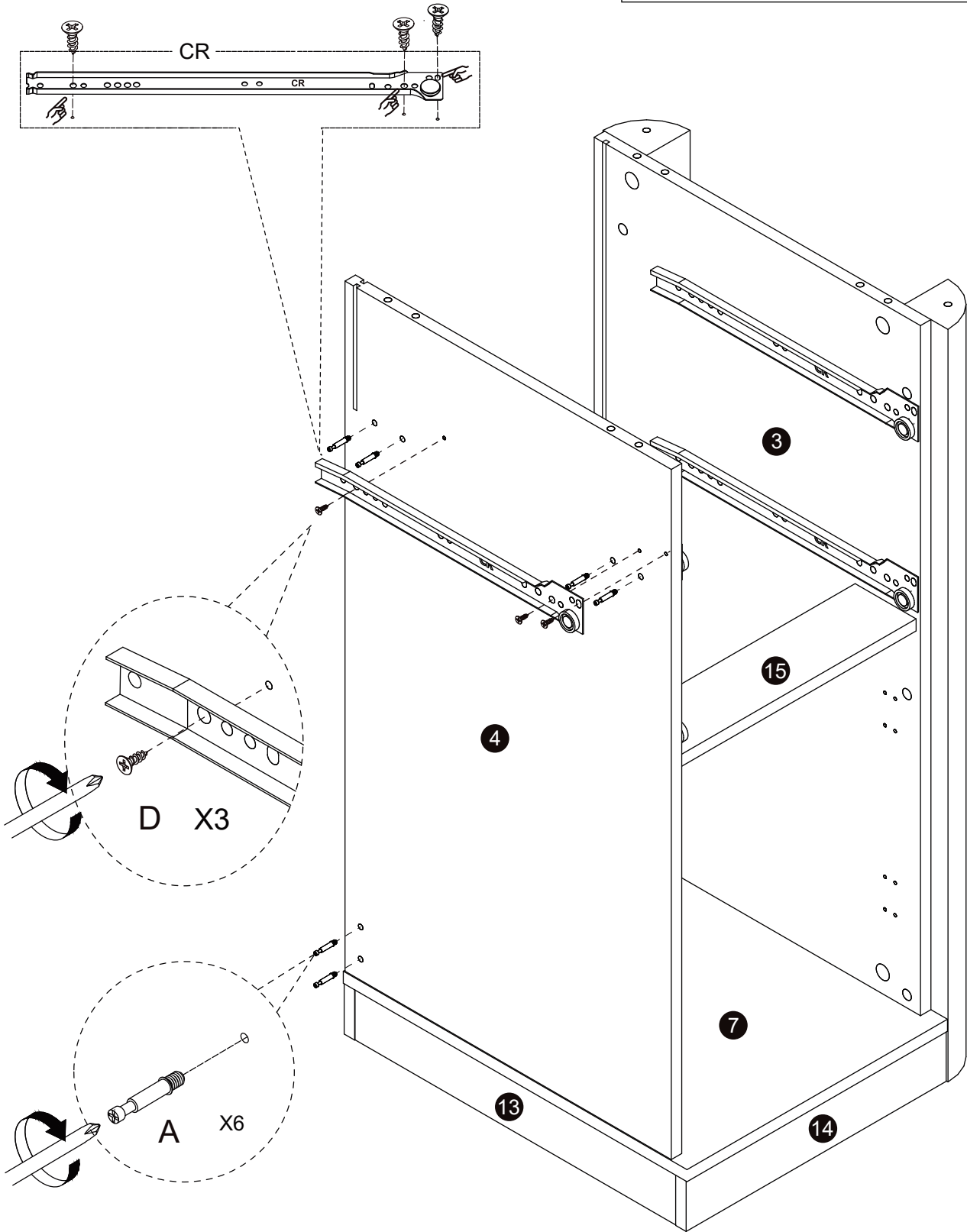
L 
x2



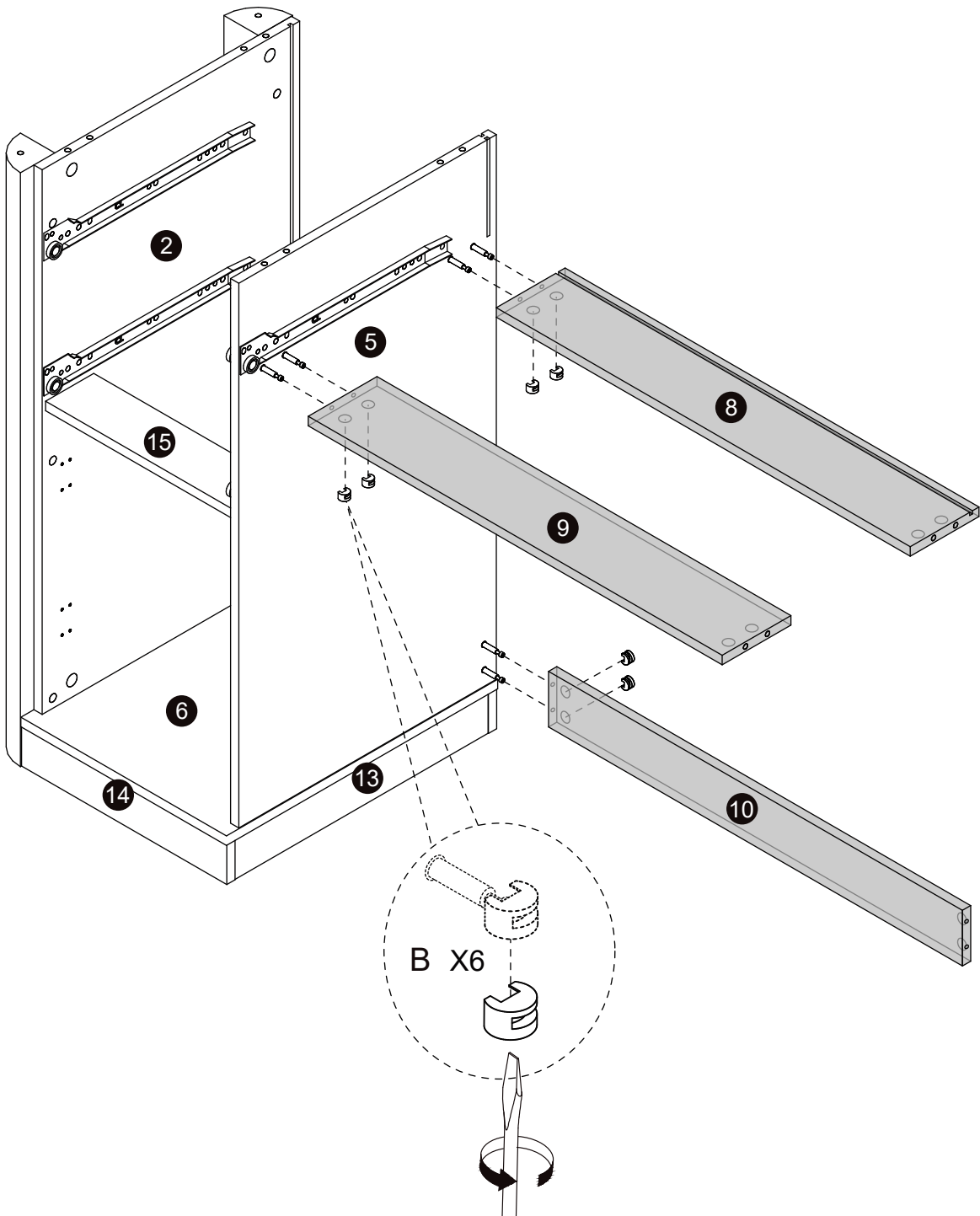
D 
Ø3.5×12mm×3

CR 
300mm×1

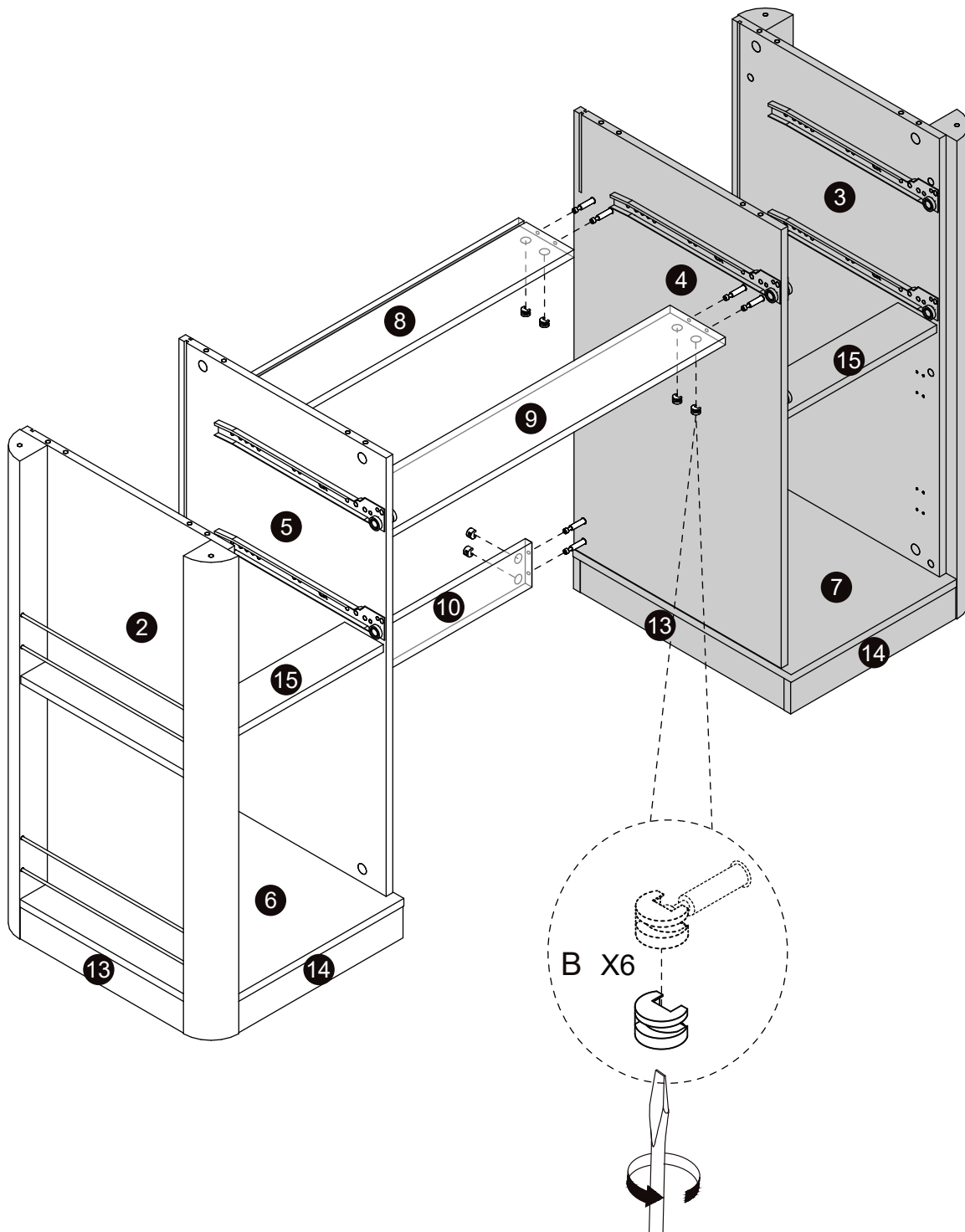
A 
Ø6×28mm×6

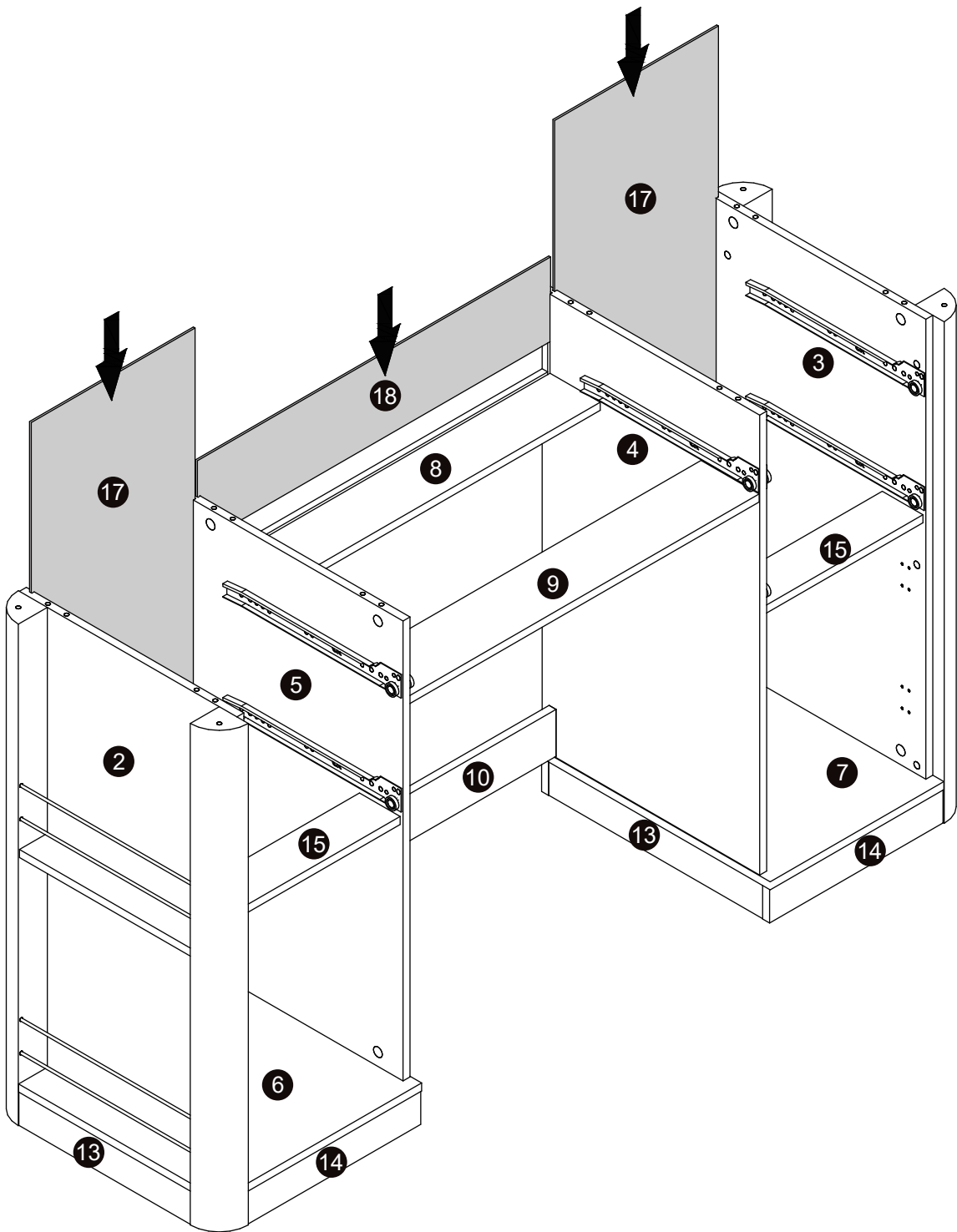


B 
Ø15×9mm×6

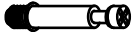


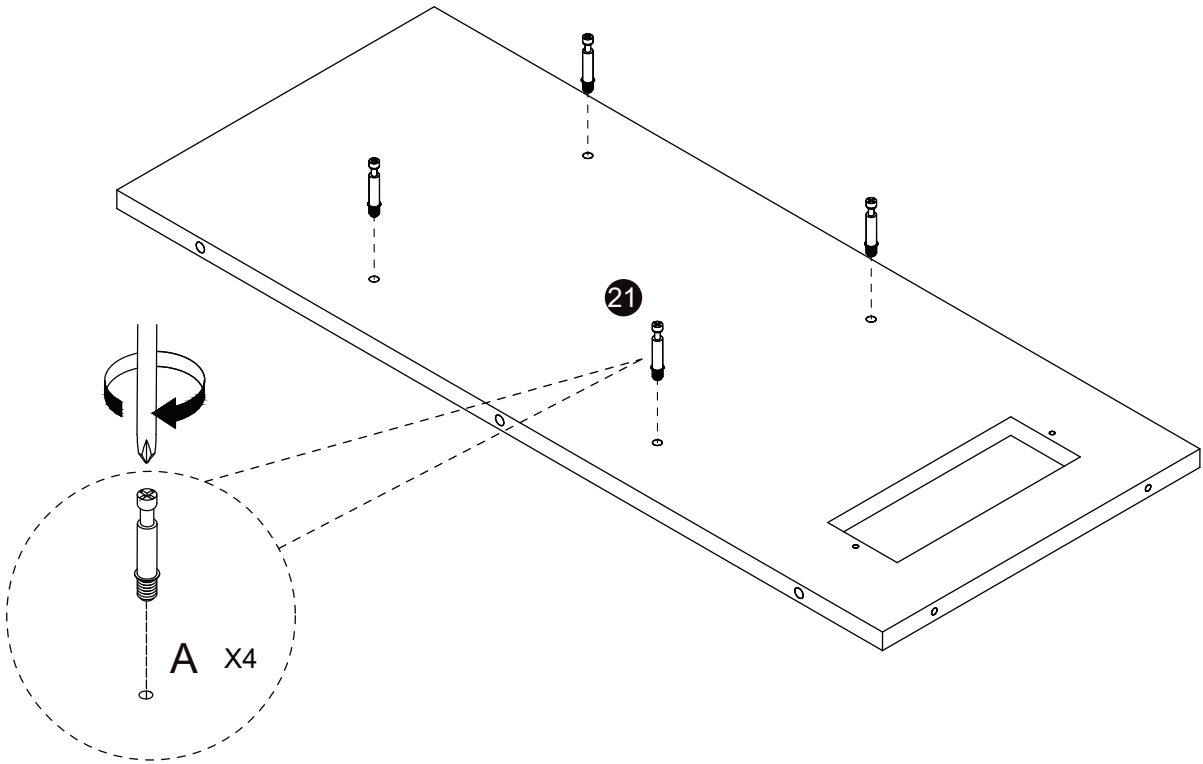
B 
Ø15×9mm×6





52

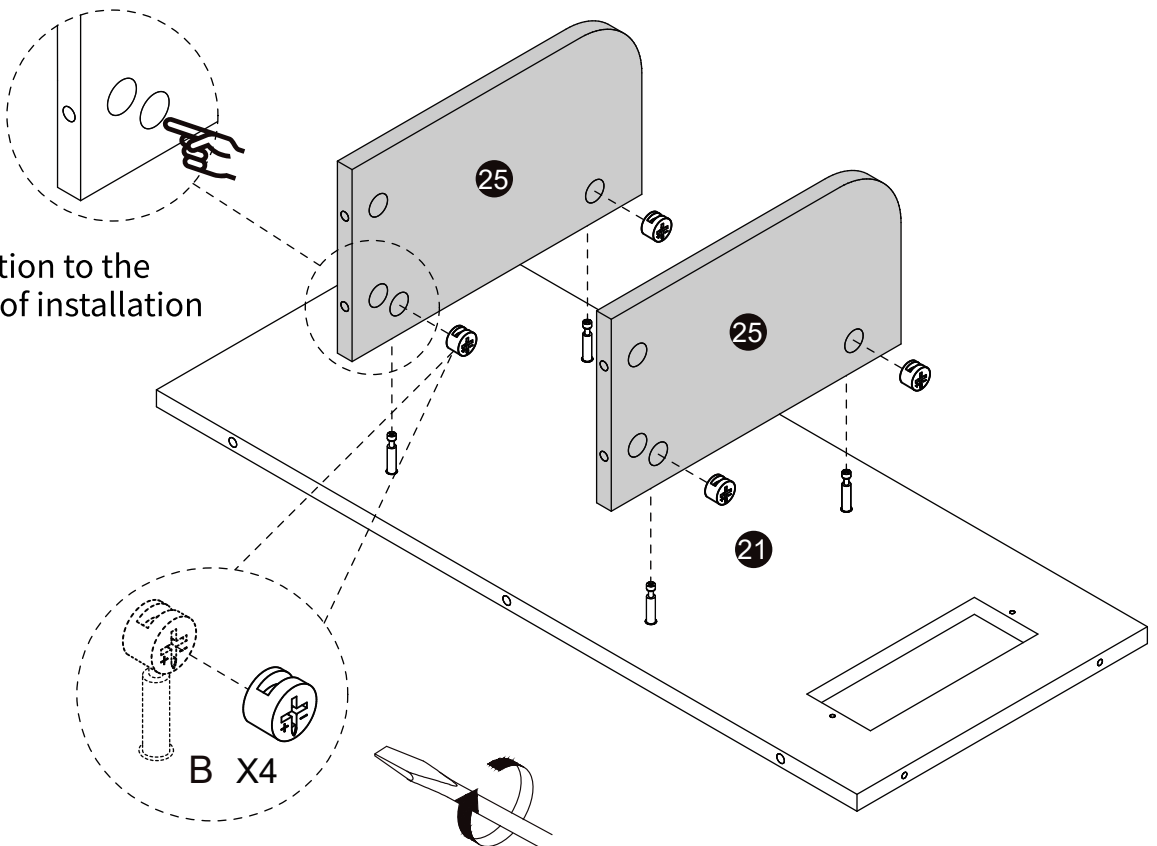
A 
Ø6×28mm×4



53

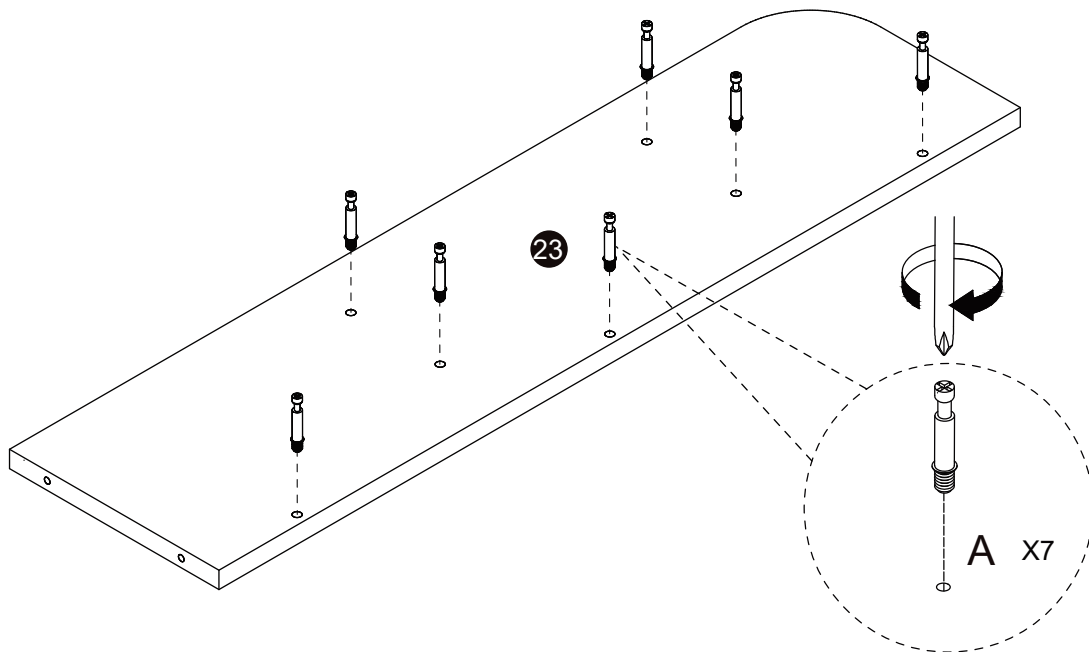
B 
Ø15×9mm×4

Pay attention to the direction of installation



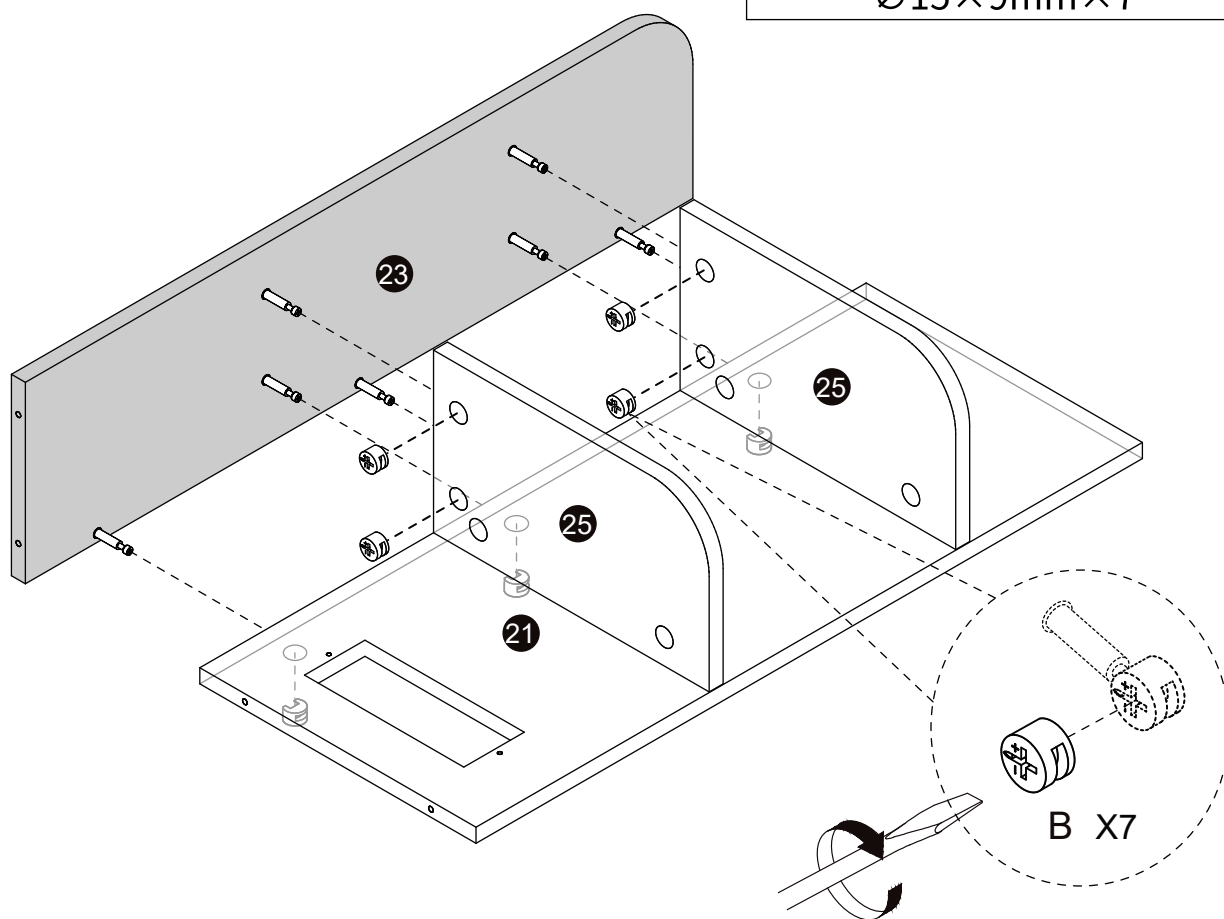
54

A 
Ø6×28mm×7

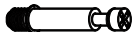


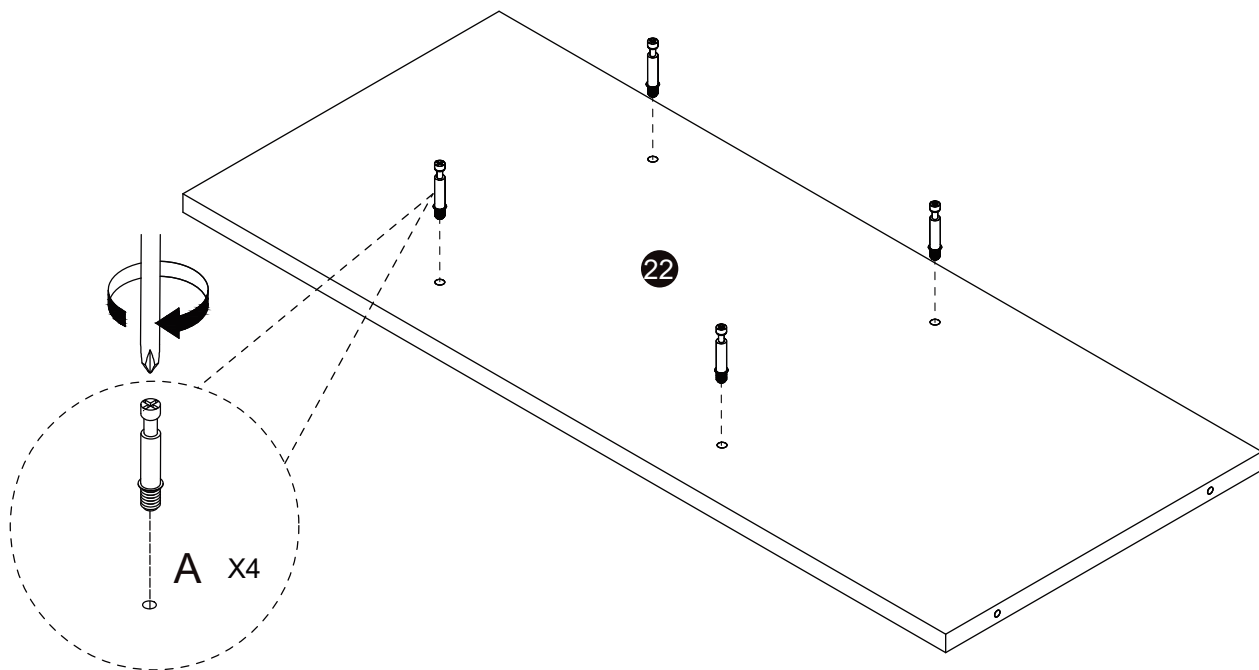
55

B 
Ø15×9mm×7



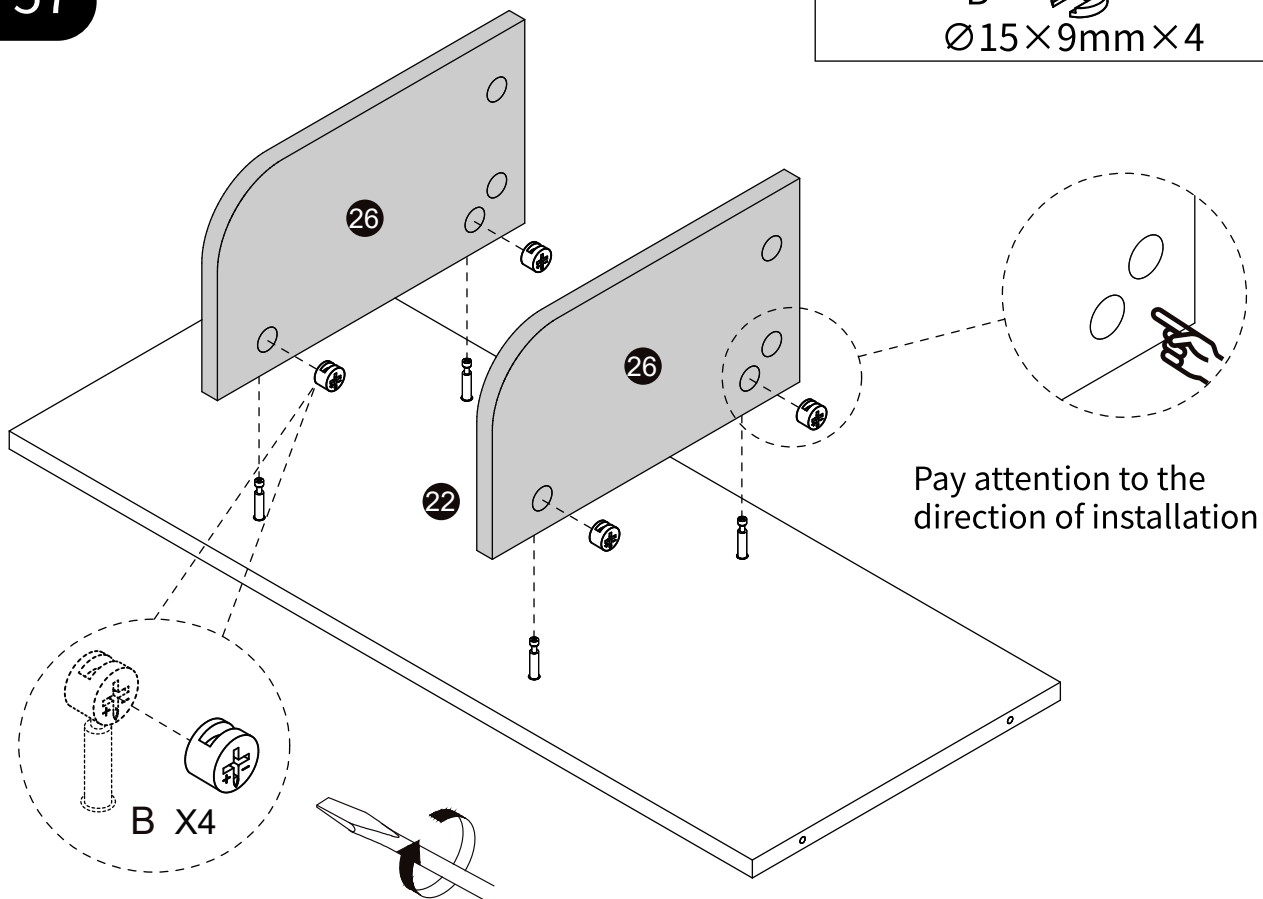
56

A 
Ø6×28mm×4

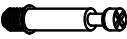


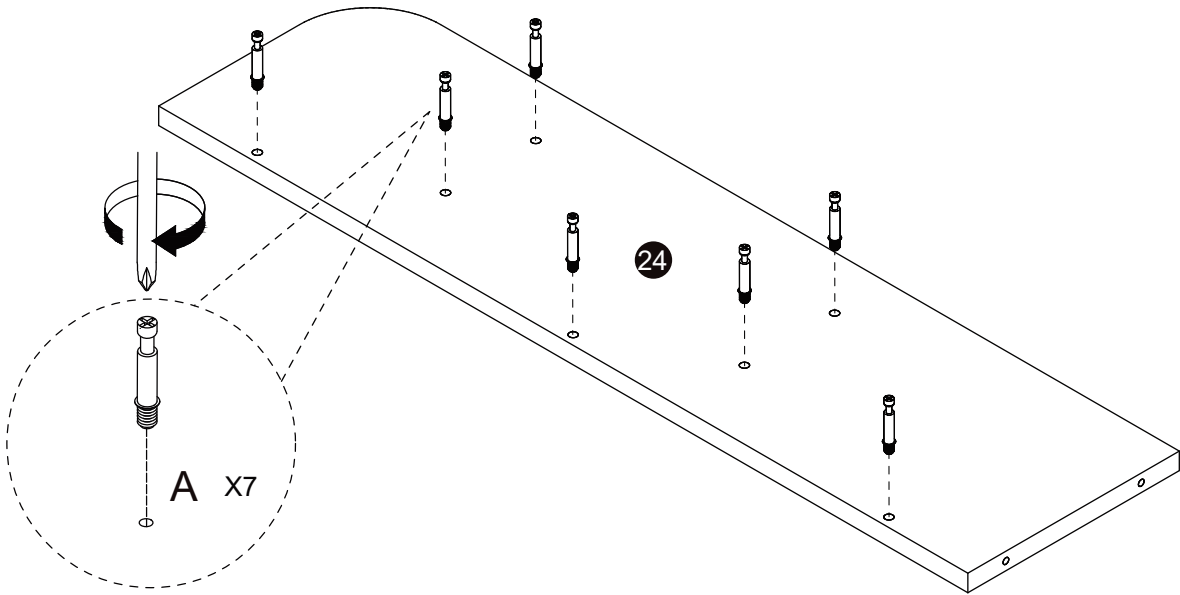
57

B 
Ø15×9mm×4



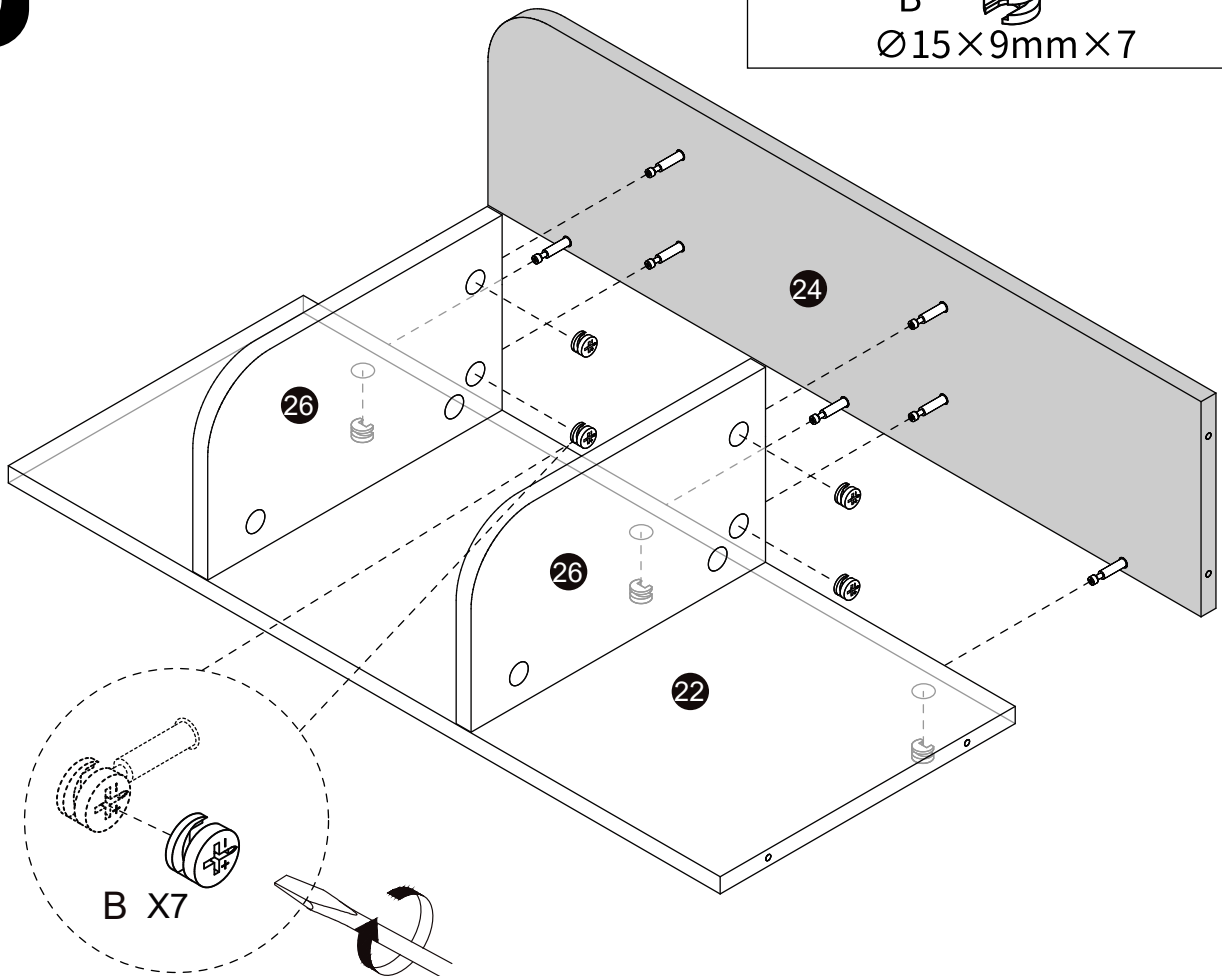
58

A 
Ø6×28mm×7

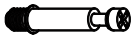


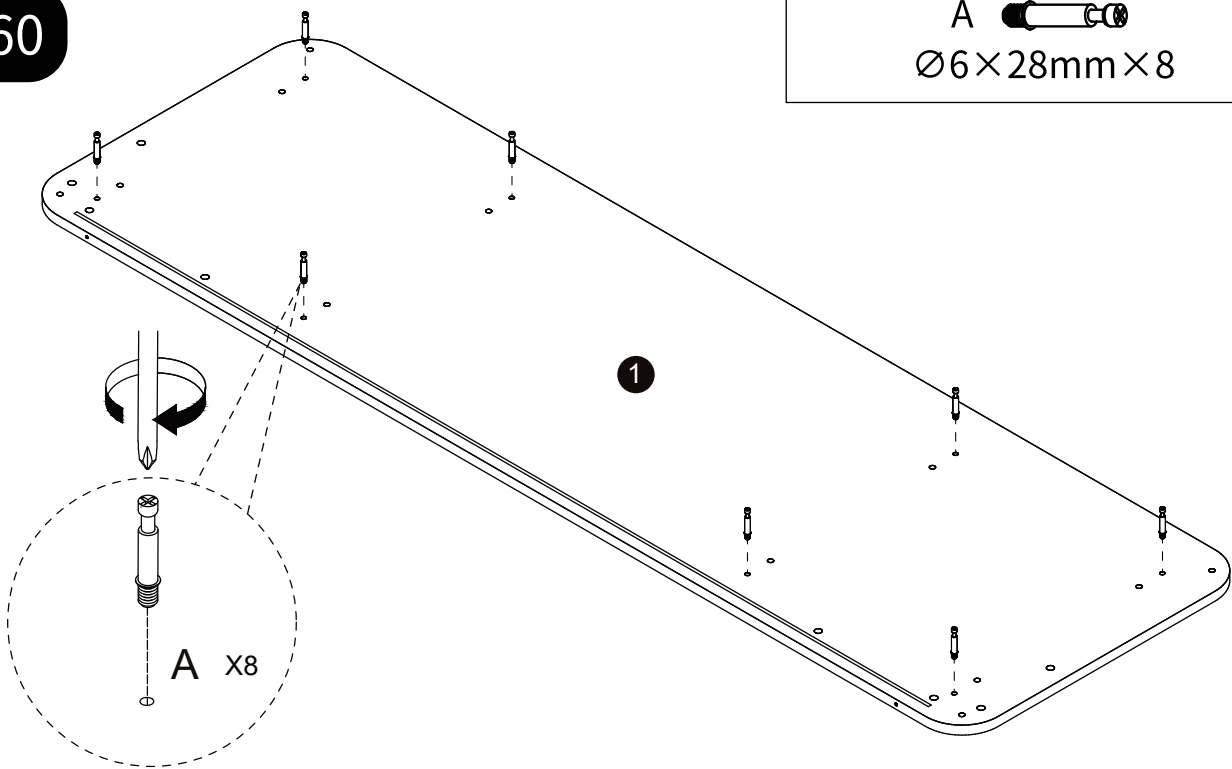
59

B 
Ø15×9mm×7



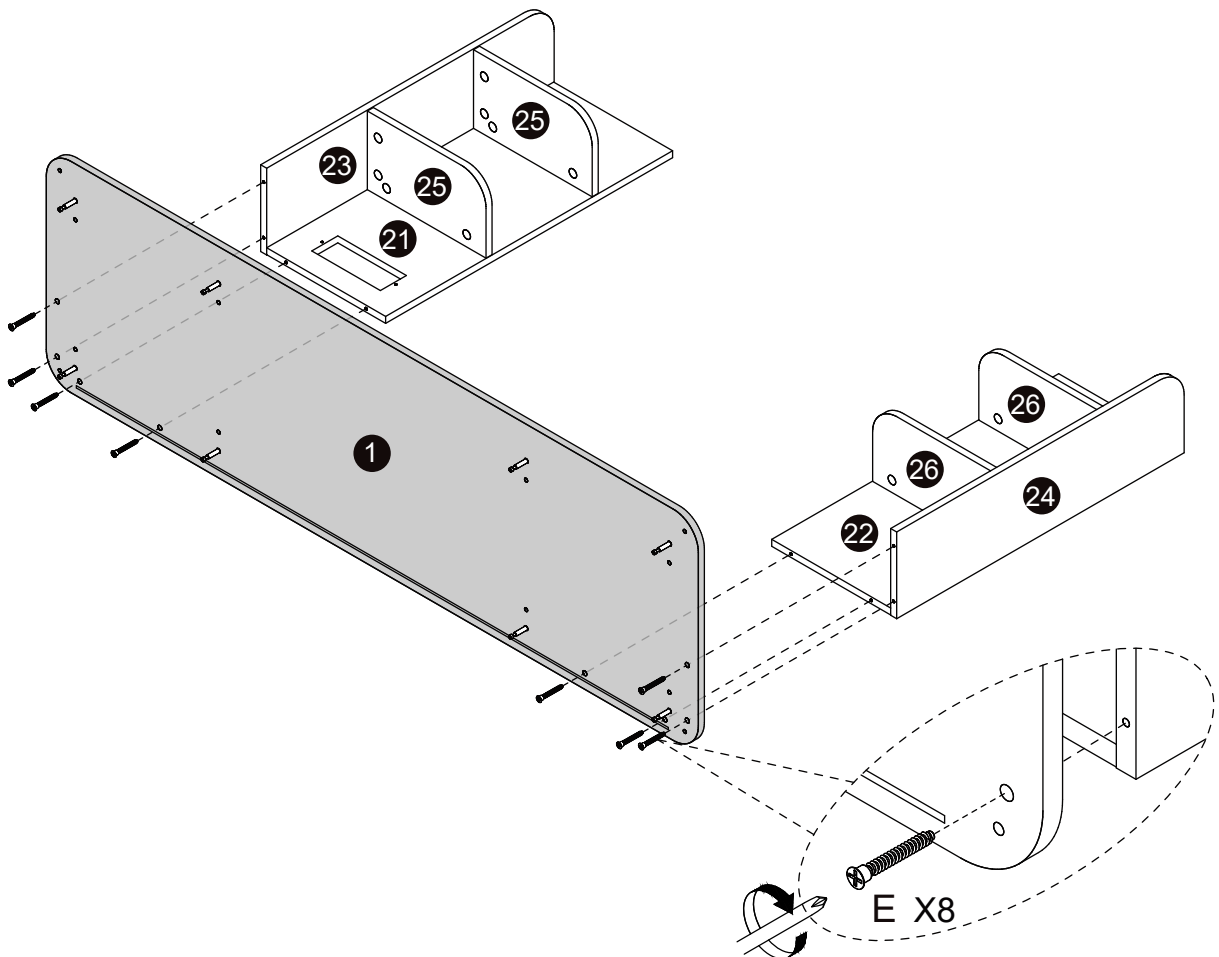
60

A 
Ø6×28mm×8




61

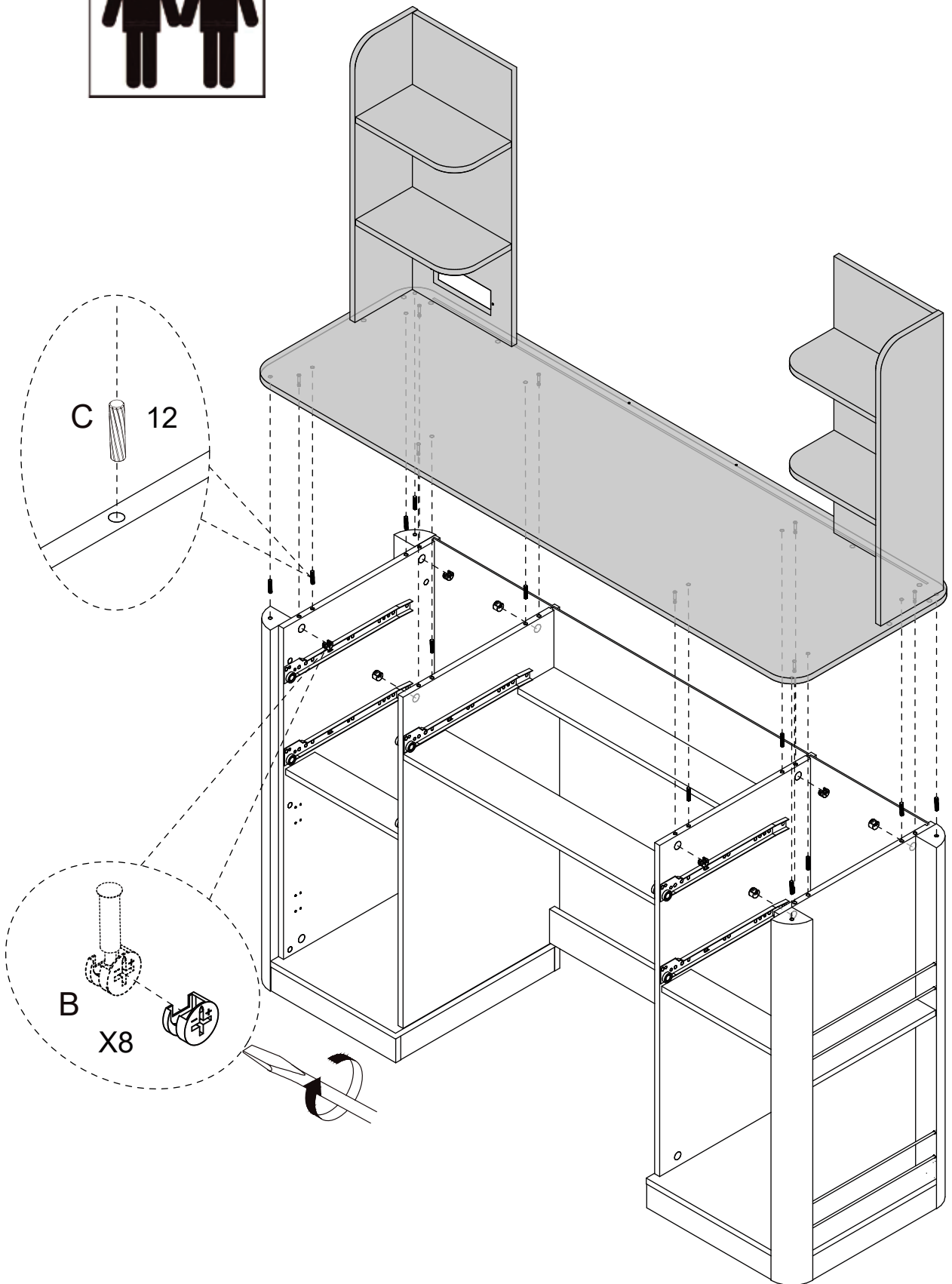
E 
Ø5×40mm×8




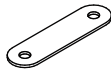



B 
Ø15×9mm×8

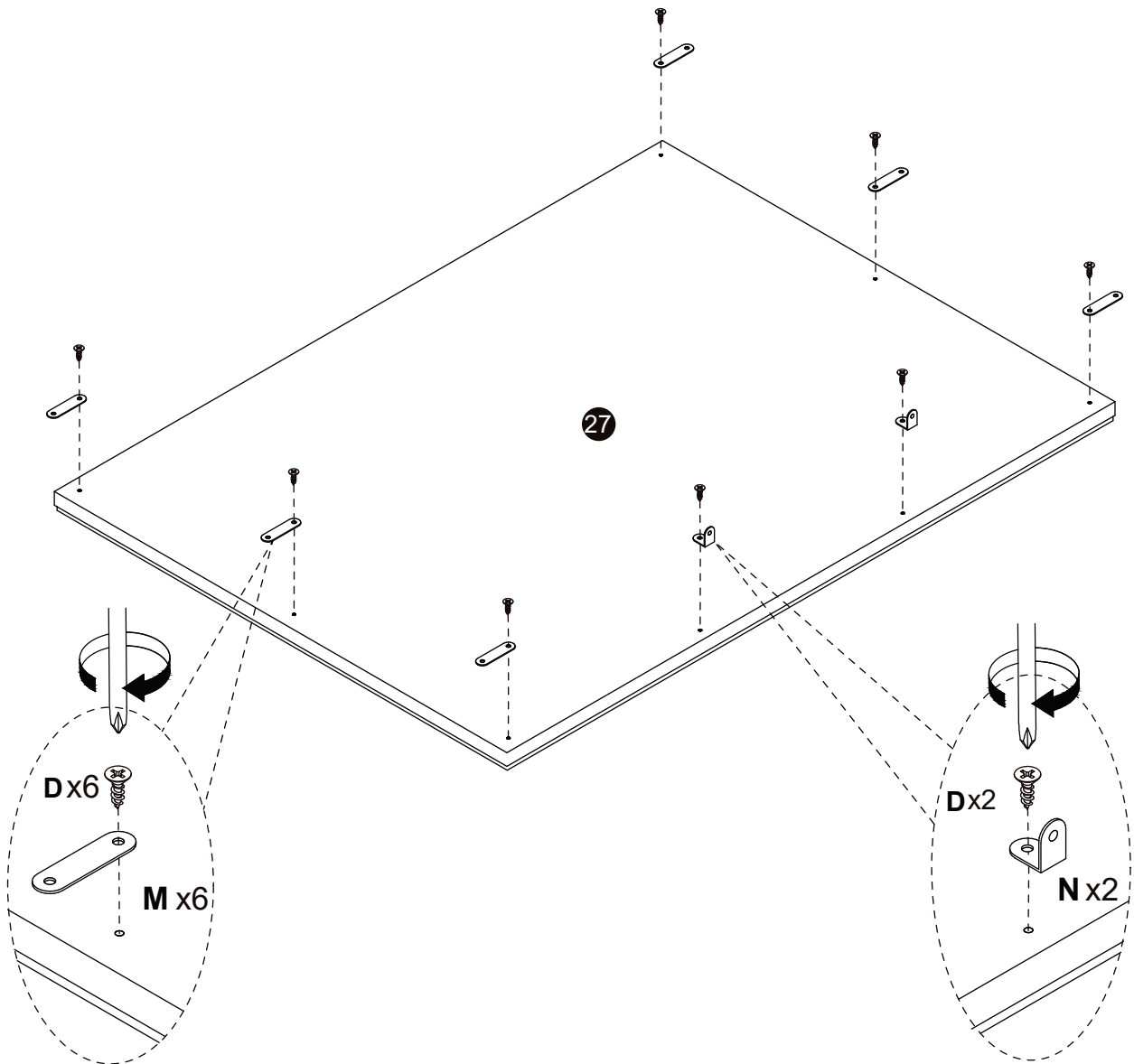
C 
Ø15×9mm×12

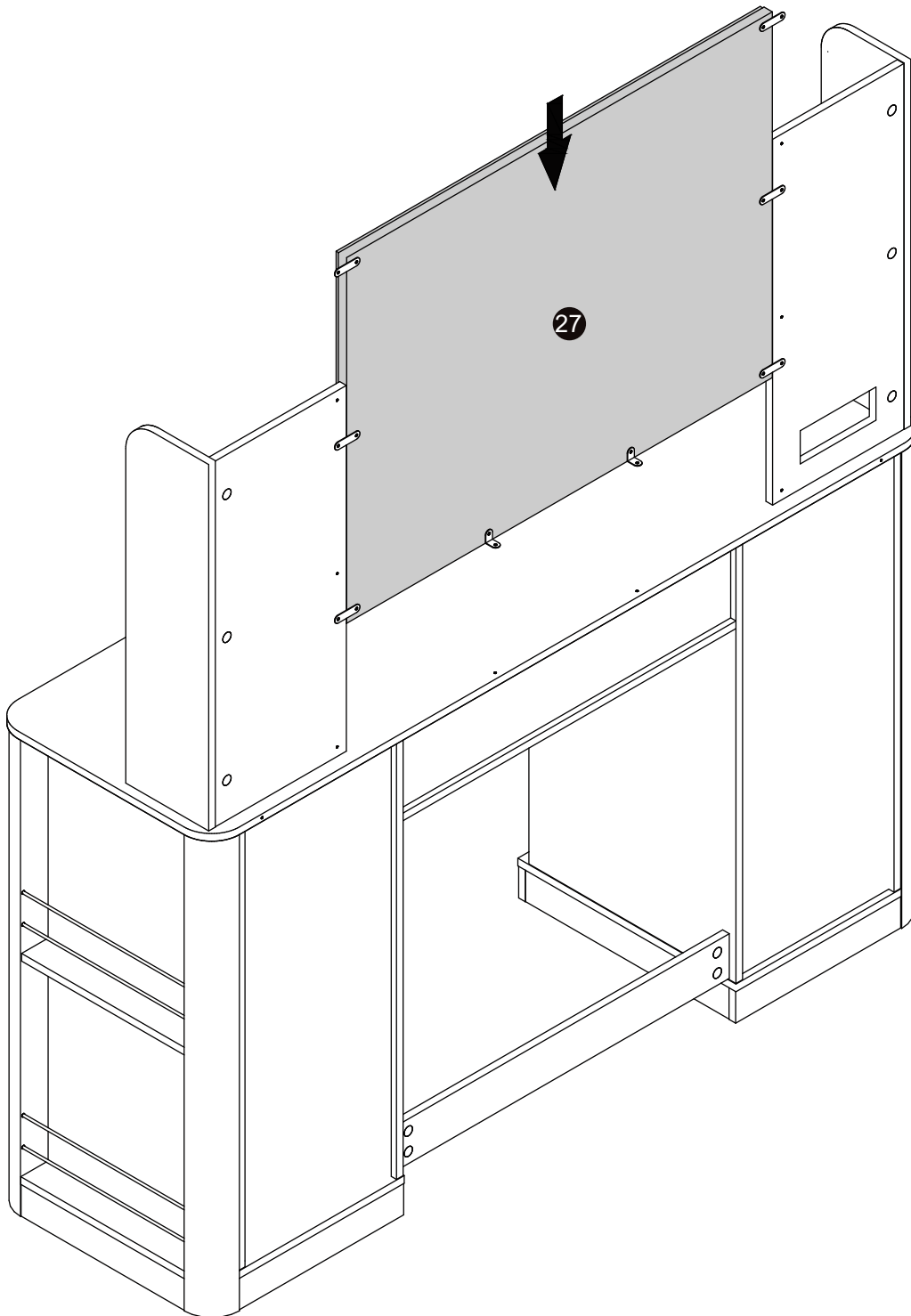



D 
 Ø3.5×12mm×8

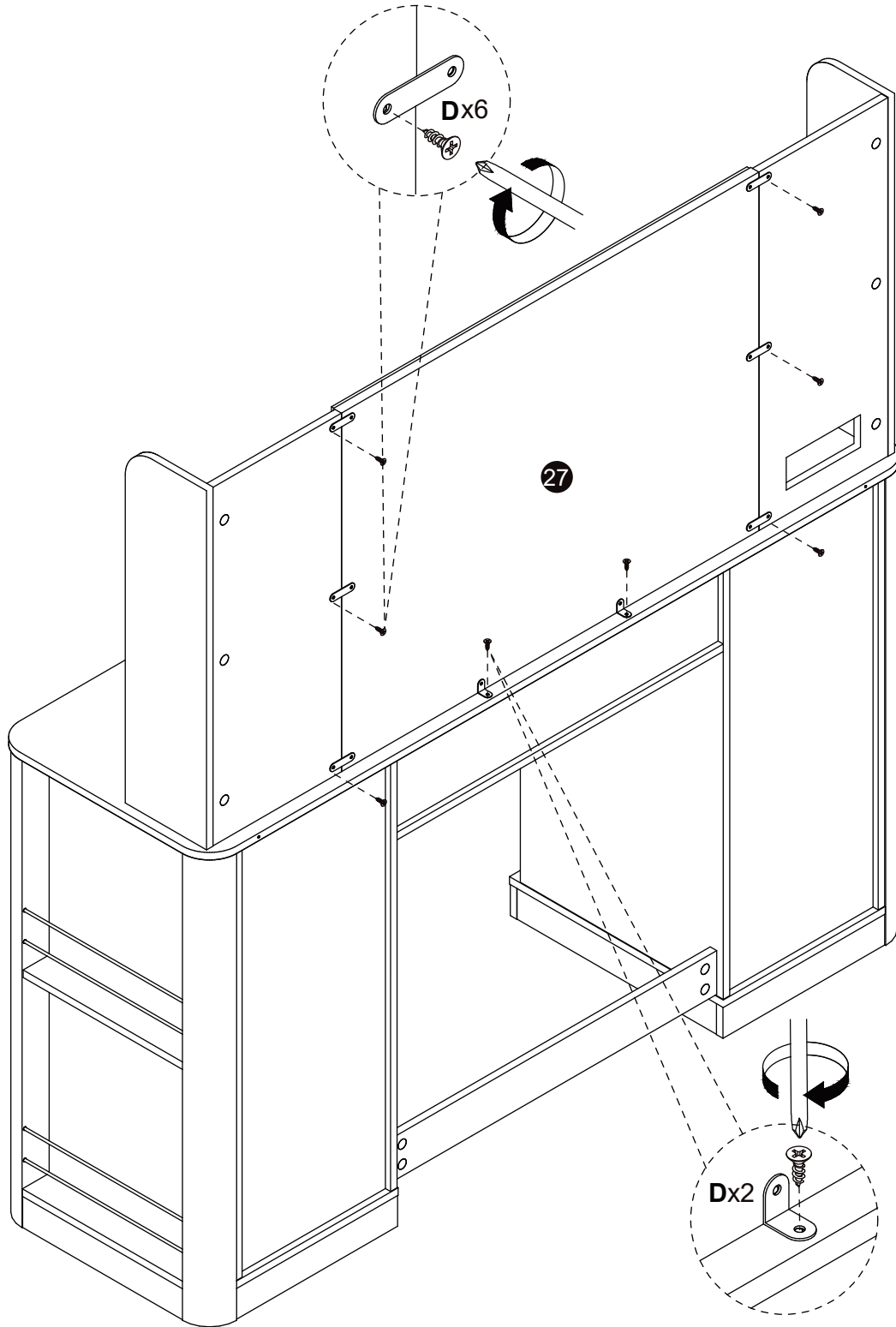
M 
 X6


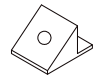
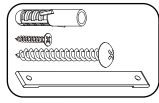
N 
 X2

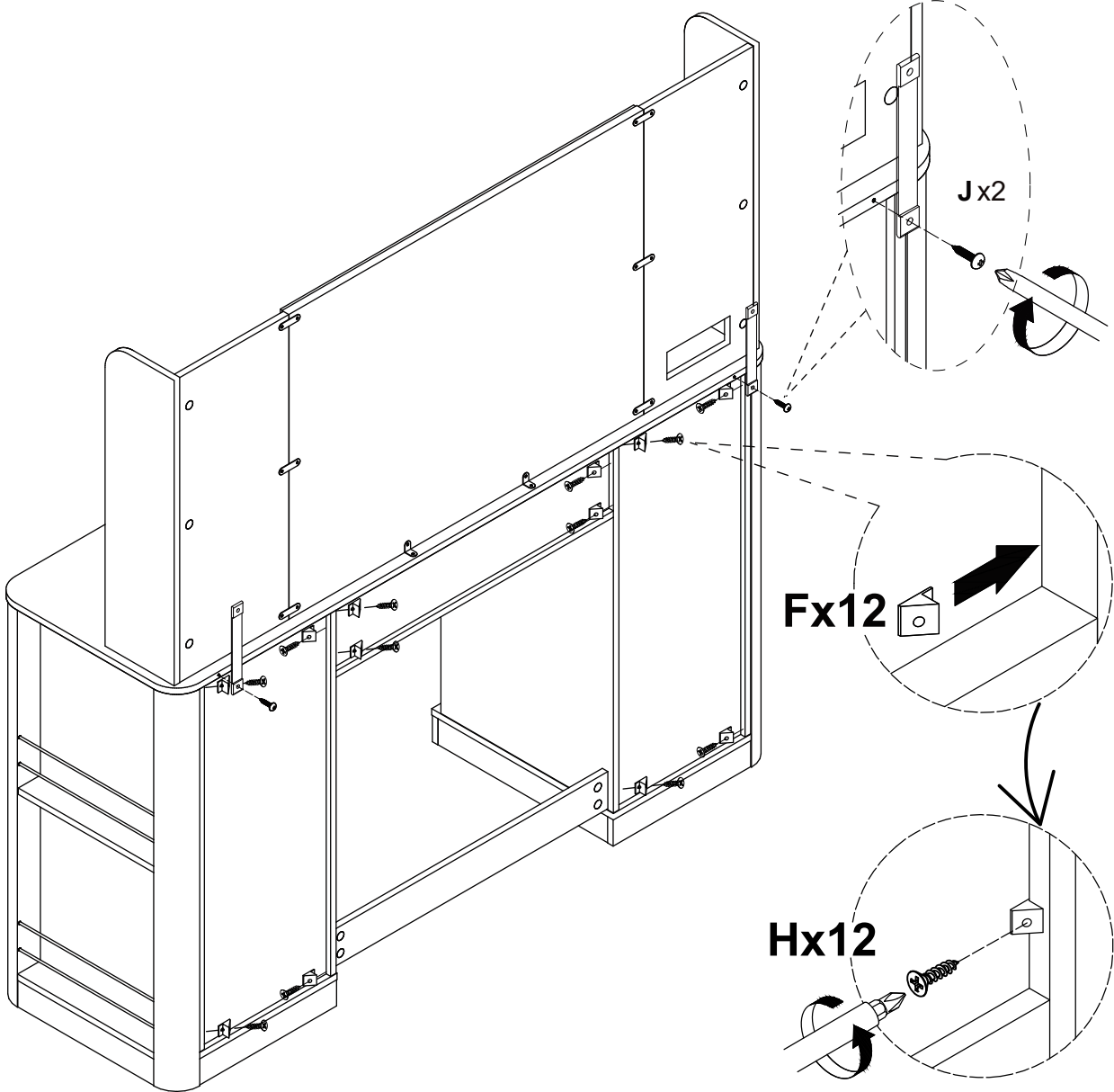






D 
Ø3.5×12mm×8

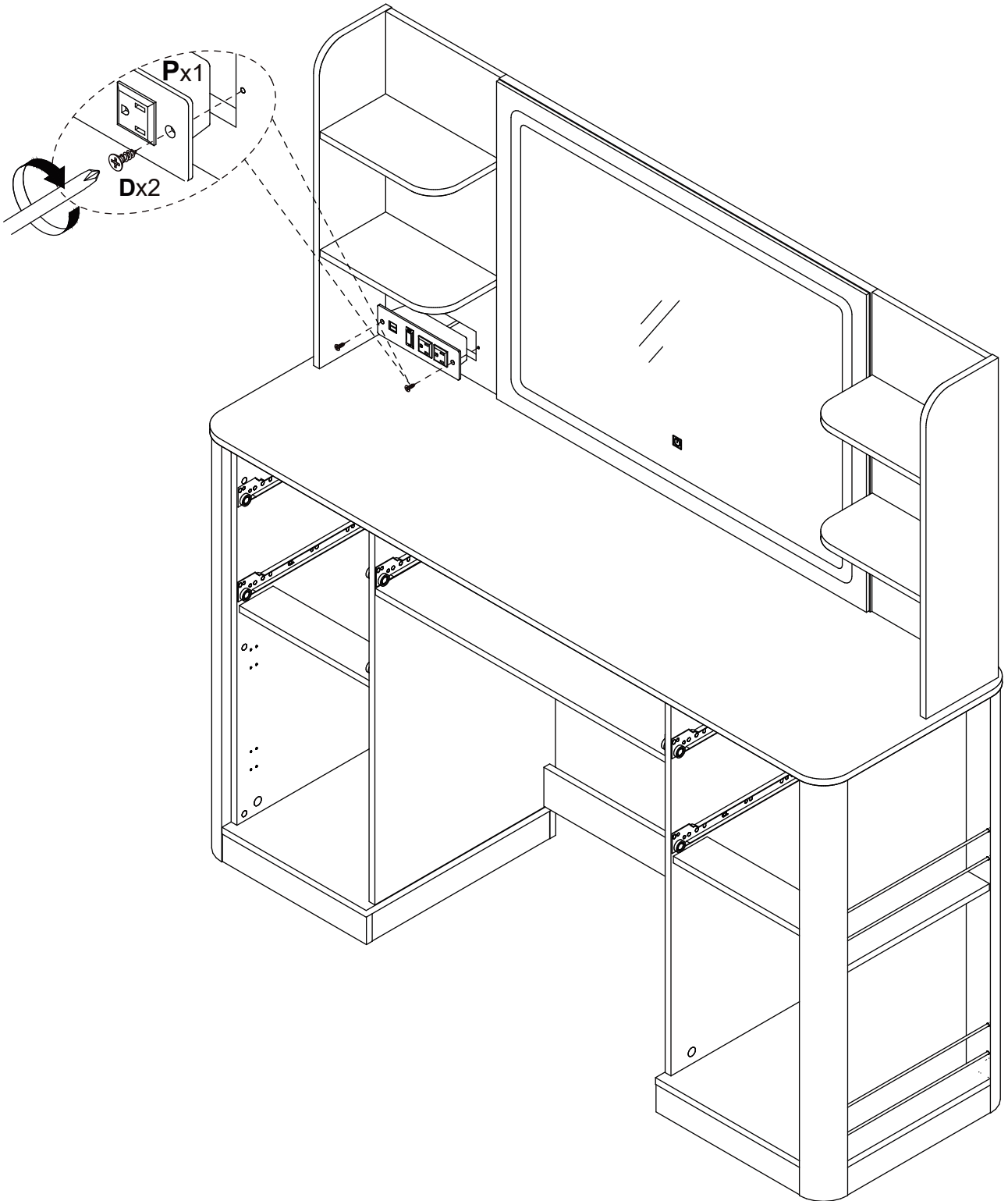




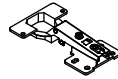
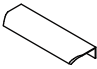
H	
Ø3.5×14mm×12	
F	
×12	
J	
×2	

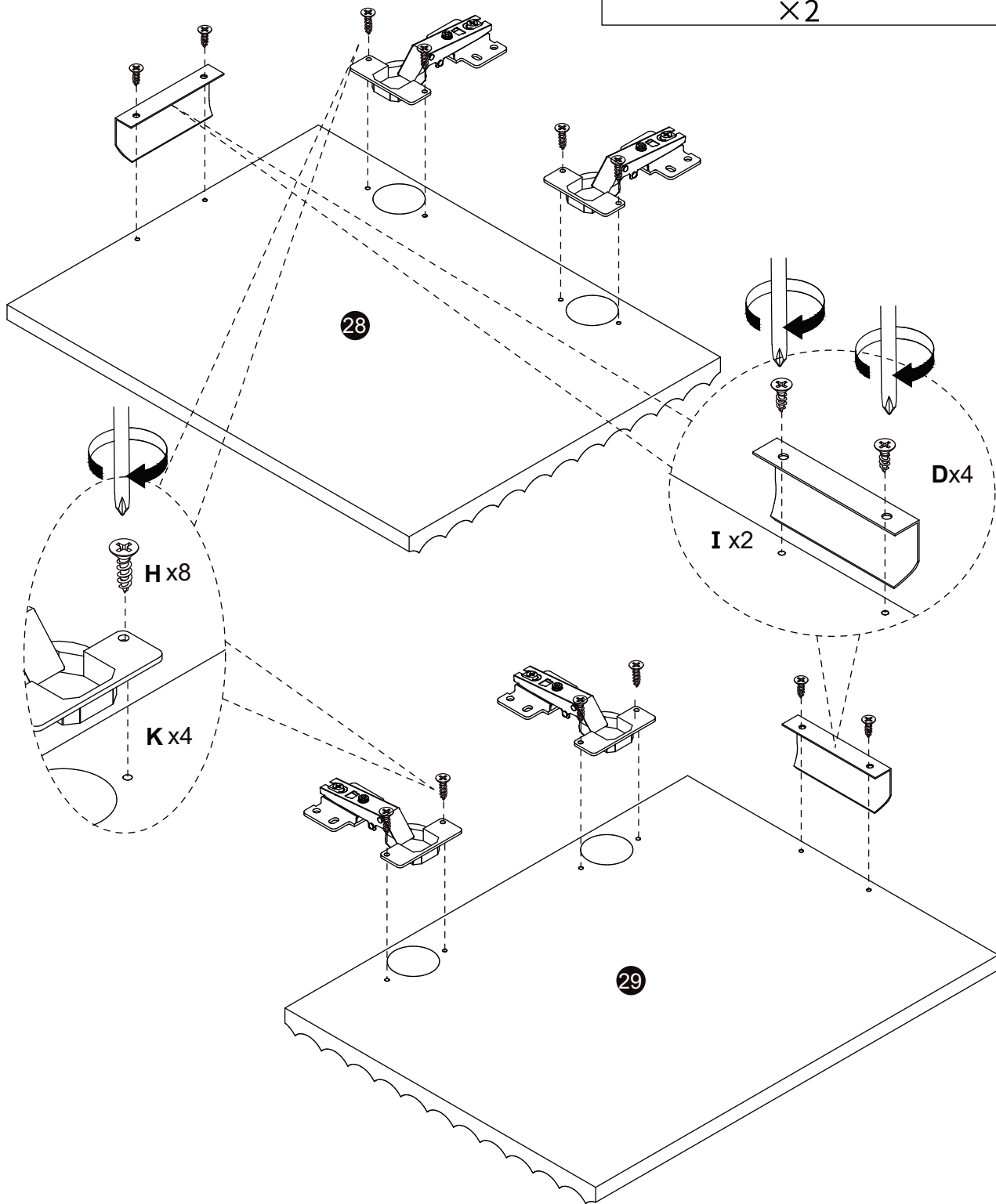


D 
Ø3.5×12mm×2

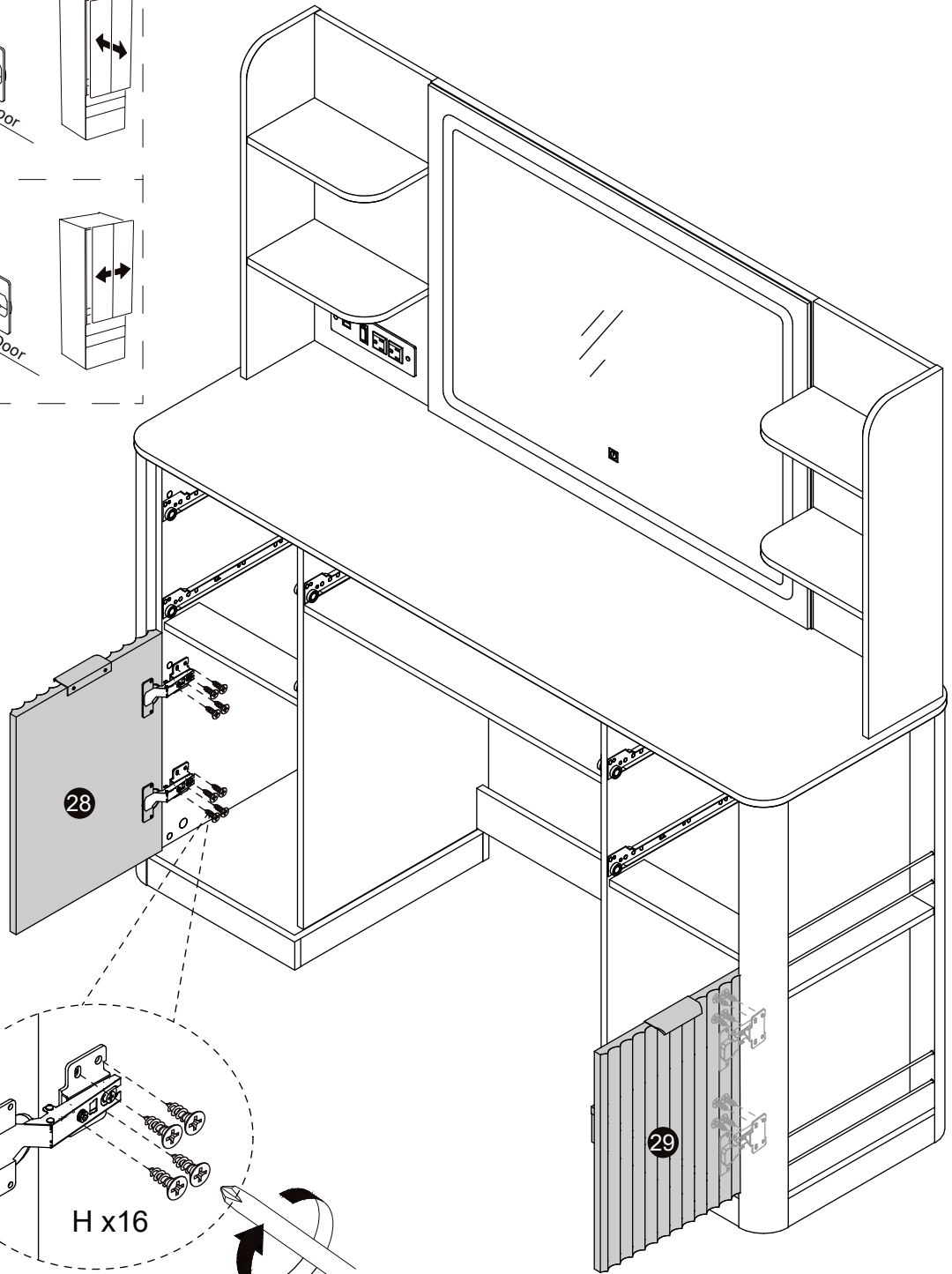
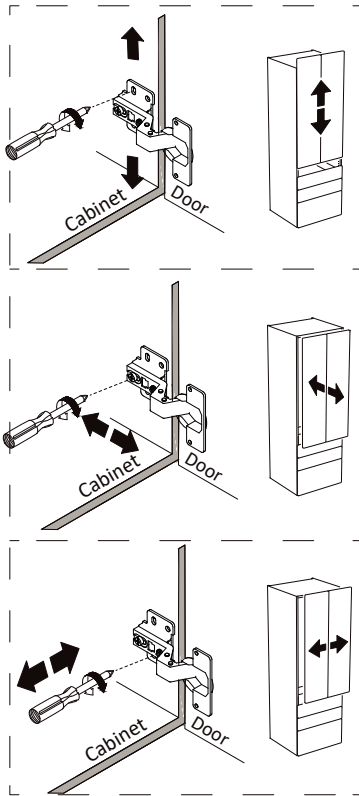
P 
×1



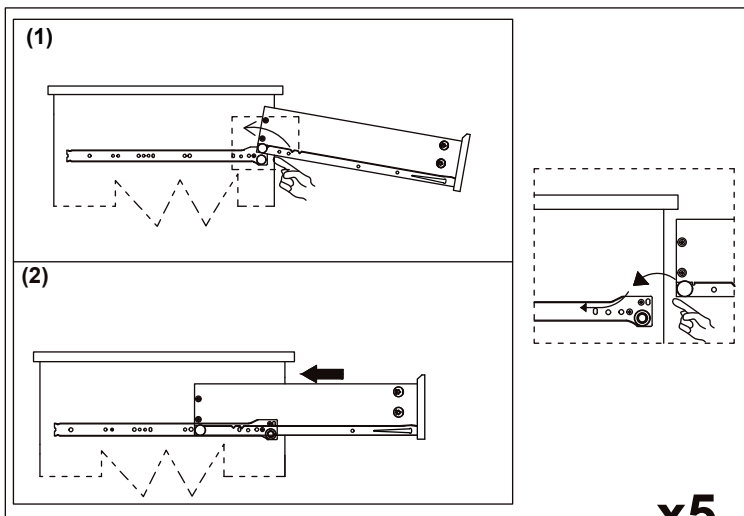
D	
Ø3.5×12mm×4	
H	
Ø3.5×14mm×8	
K	
×4	
I	
×2	



Example



Drawer mounting frame



Please pay attention to the drawer number. The drawer panel has an installation direction.

