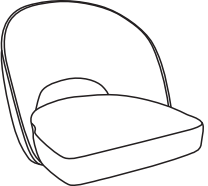
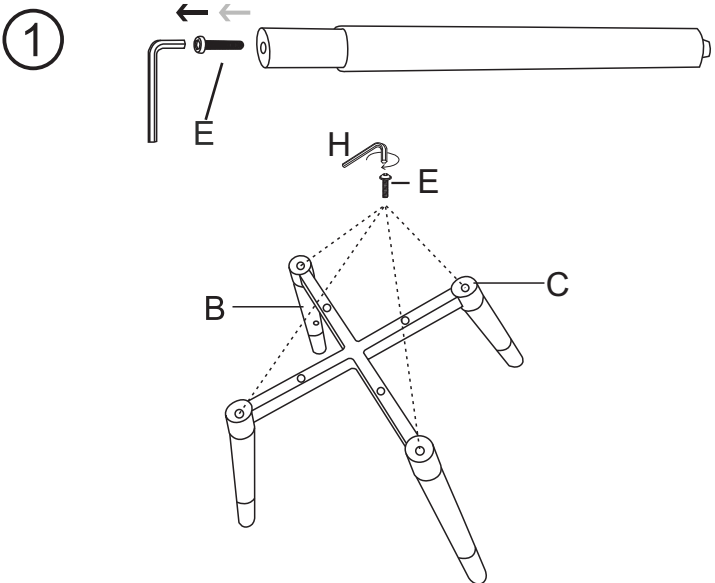
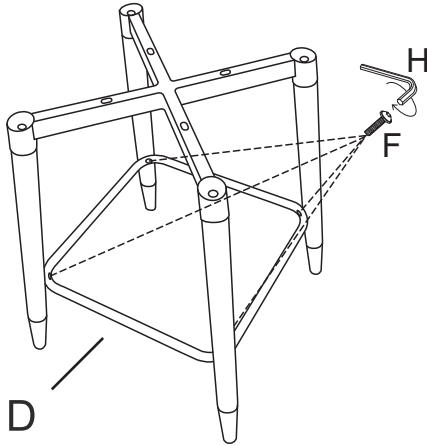
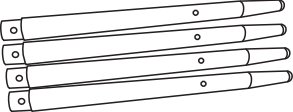

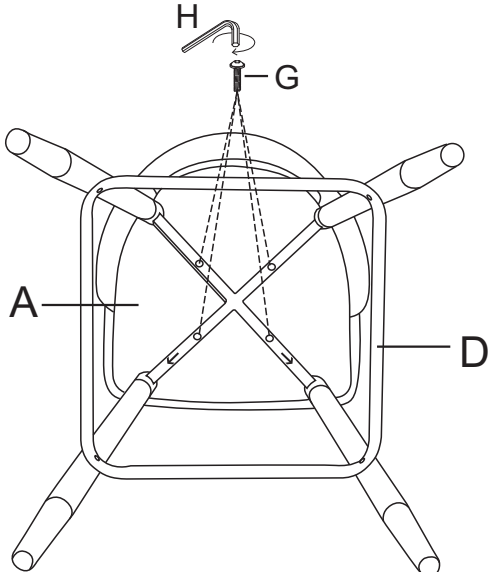
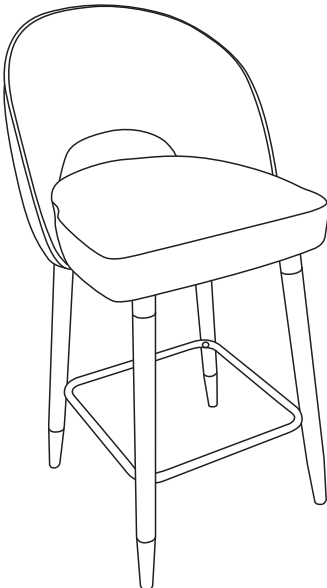




# ASSEMBLY INSTRUCTION

Ax1 	<p>① </p> <p>Tighten the screws 80%, do not completely tighten</p>	<p>② </p> <p>Turn the four feet to align the holes, install the footrest, and tighten all screws to 100%</p>
Bx4 		
Ex4  M6x35mm	<p>③ </p>	<p>④ </p>
Fx4  M6x25mm		
Gx4  M6x50mm		
Hx1 