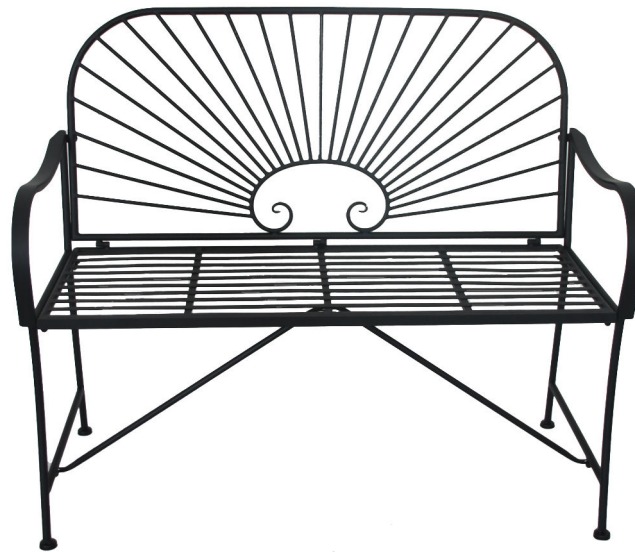


Instruction Manual

Cast Iron Garden and Patio Bench



Warranty

Limited 1-Year Manufacturer Warranty

Manufacturer warranty covers:

- Parts that are deemed defective within 30 days will be shipped free of charge, within the 48 contiguous states.
- Any warranty claim after 30 days, will require shipping to be paid by the customer.

Any visible damage due to the neglect, misuse, or abuse will void the limited warranty of the product.

For further information, please contact us:

Contents

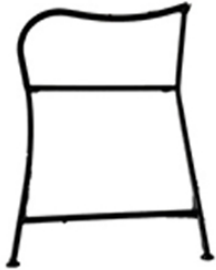
Contents	2
What is included	3
Assembly instructions	4
YouTube video instruction	5
Warranty	6

What is included

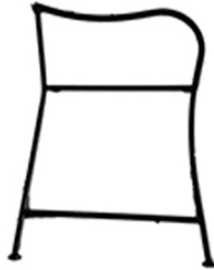
A:1PC



B:1PC



C:1PC



D: 2PCS



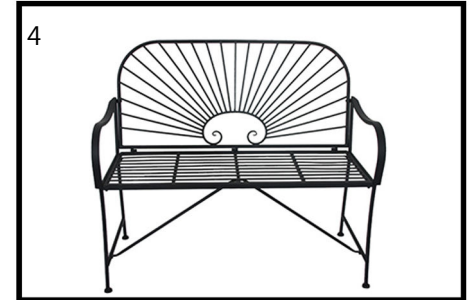
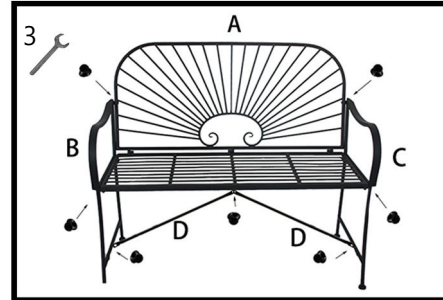
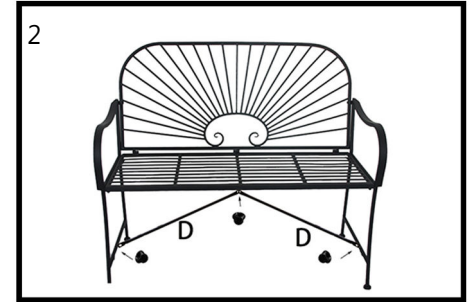
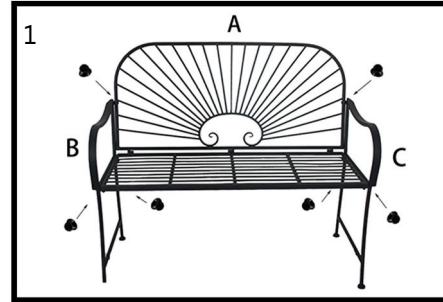
E: 9PCS



F: 1PC



Assembly instructions



1. Connect the backrest to the seat and armrests, ensuring a secure connection.
2. Link the bottom part D with the seat and armrest base for stability.
3. Utilize the provided hardware to secure all parts together.
4. Ensure that all parts are tightly connected and enjoy your bench.

Note: Cushions are not included with the purchase.