

ASSEMBLY INSTRUCTIONS FOR ACME FURNITURE

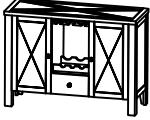
MODEL#DN01133

Important note :

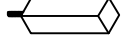
- Place all wooden parts on a clean and smooth surface such as a rug or carpet to avoid scratching the parts.
- Kindly follow the assembly instructions step by step.
- Do not tighten all screws and bolts until the server is fully assembled.

*** Do not fully tighten screws until fully assembled ***

PARTS LIST

NO	DESCRIPTION	SRETCH	QTY
Ⓐ	Server		1 Pc

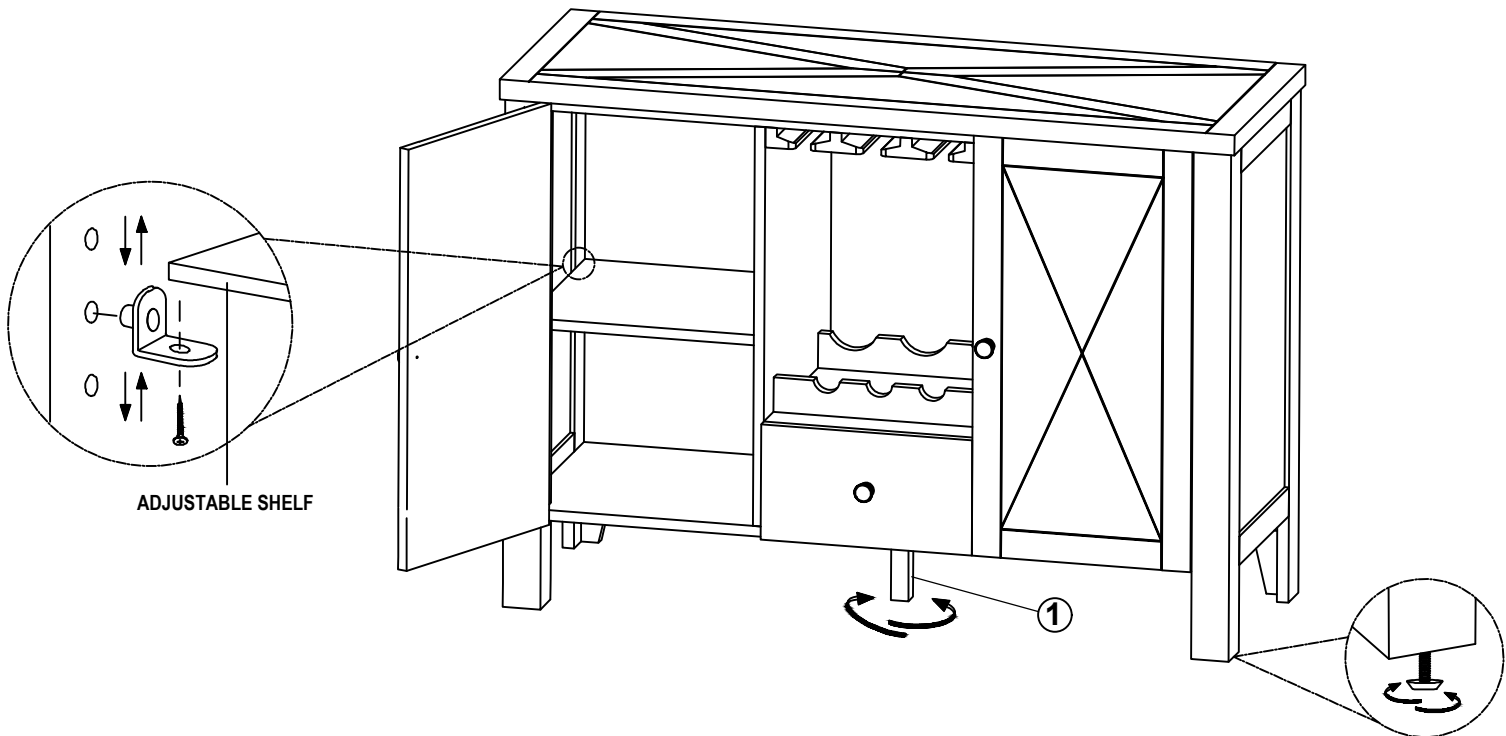
HARDWARE LIST

NO	DESCRIPTION	SRETCH	QTY
①	Leg Center Support		1 Pc

Attention

***Some number parts listed on the instruction sheet may not be in parts bag as they may already be assembled. Carefully check parts and packing materials prior to ordering replacements.

STEP 1



STEP 2

Complete

