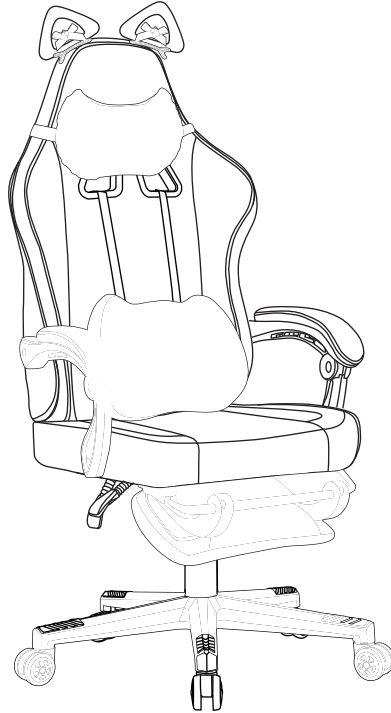


Assembly Instructions



CALL US FIRST! ! !

DO NOT RETURN TO STORE

For immediate help with assembly or product information,
please call us for assistance.

01 Accessory Details

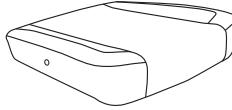
Please check and ensure all the things are in the package.
You can contact us for help if something is not included.

1. Main Parts



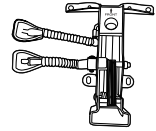
a x1

Back



b x1

Seat



c x1

Mechanism



d x2

Footrest Rail



e x1

Headrest



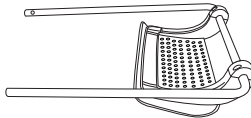
f x1

Connector



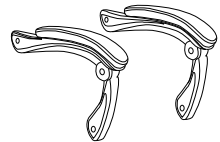
g x5

Caster



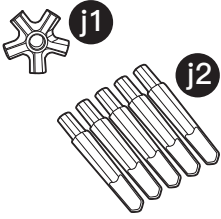
h x1

Footrest



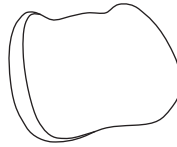
i x1 set

Armrest



j x1 set

Base



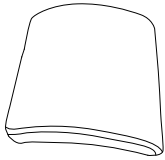
k x1

Lumbar Pillow



m x1

Gas Lift



n x1

Footrest Cover



x x1

Wrench



z x1 pair

Decorative Ear

2. Screws and Other Parts

◆ Please check and ensure all the things are in the package.
Please contact us if something is not included. We will reply within 24 hours and try our best to solve it.



o M6*25

4PCS



t M6*30

4PCS



p M6*20

5PCS



u $\phi 16^* \phi 24^* 1.5$ 4PCS



q M8*40

4PCS



v Cap

4PCS



r M8*25

4PCS



w M6*30

4PCS



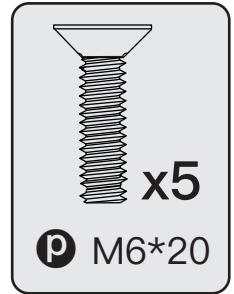
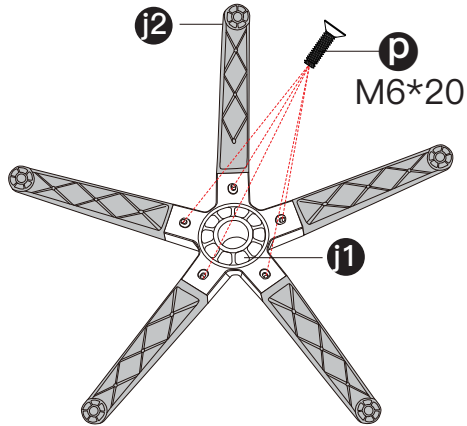
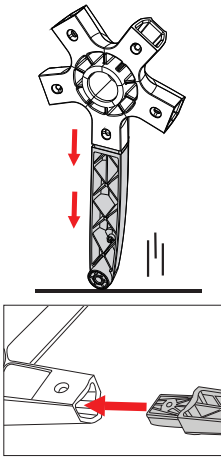
s M5*8

1PC

02 chair Installation

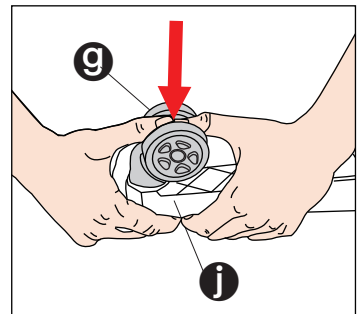
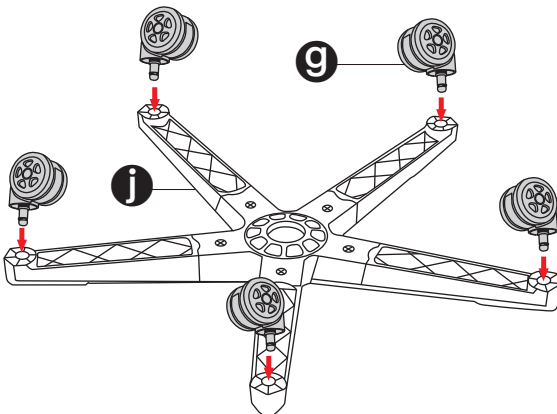
Please keep the original box in case you might need to return or replace the product.

1 Install the base.

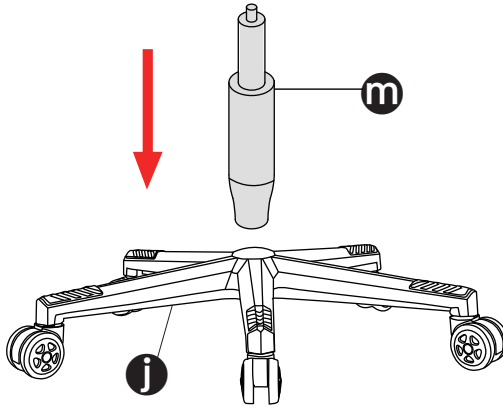


⚠ Attention Snap on the ground to align the screw holes.

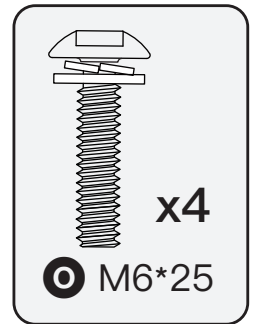
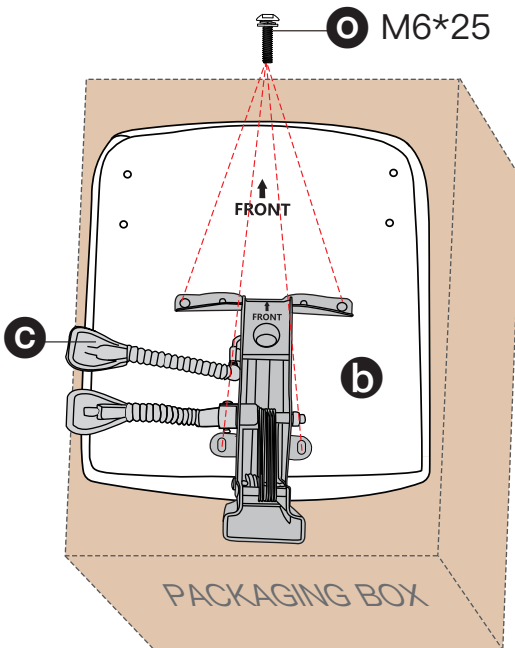
2 Insert the casters.



3 Install the gas lift.



4 Install the mechanism. (For easy installation, place the SEAT on top of the packaging box.)



⚠ Attention

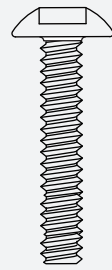
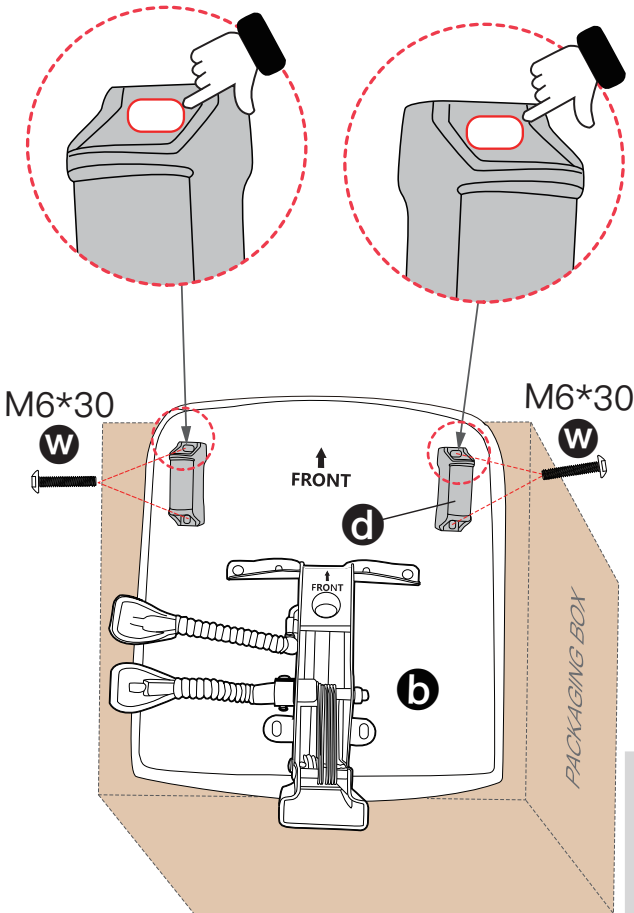
DO NOT tighten all the screws completely until they are fixed in the correct position.

5 Install the footrest rails.

(For easy installation, place the SEAT on top of the packaging box.)

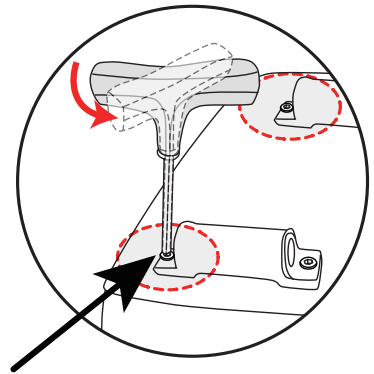
Step 1

Align the screw holes horizontally.



x4

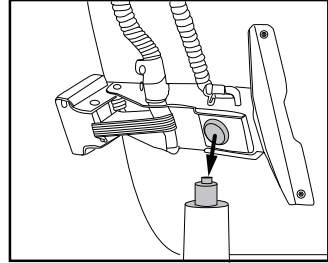
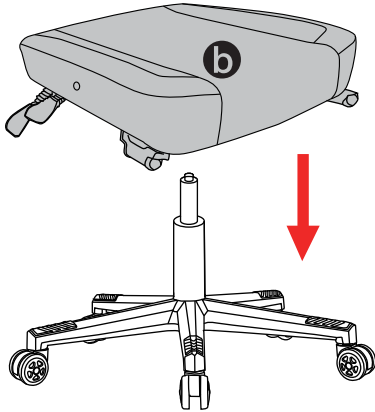
W M6*30



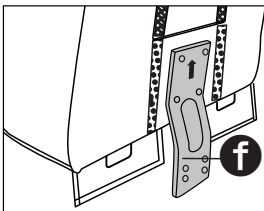
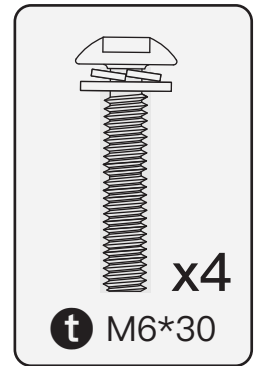
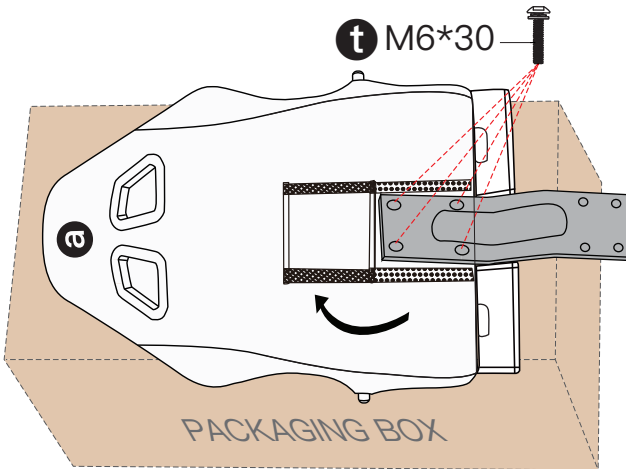
Step 2

Tighten first, then loosen by half a turn to smoothly install the footrest.

6 Place the seat on the gas lift.



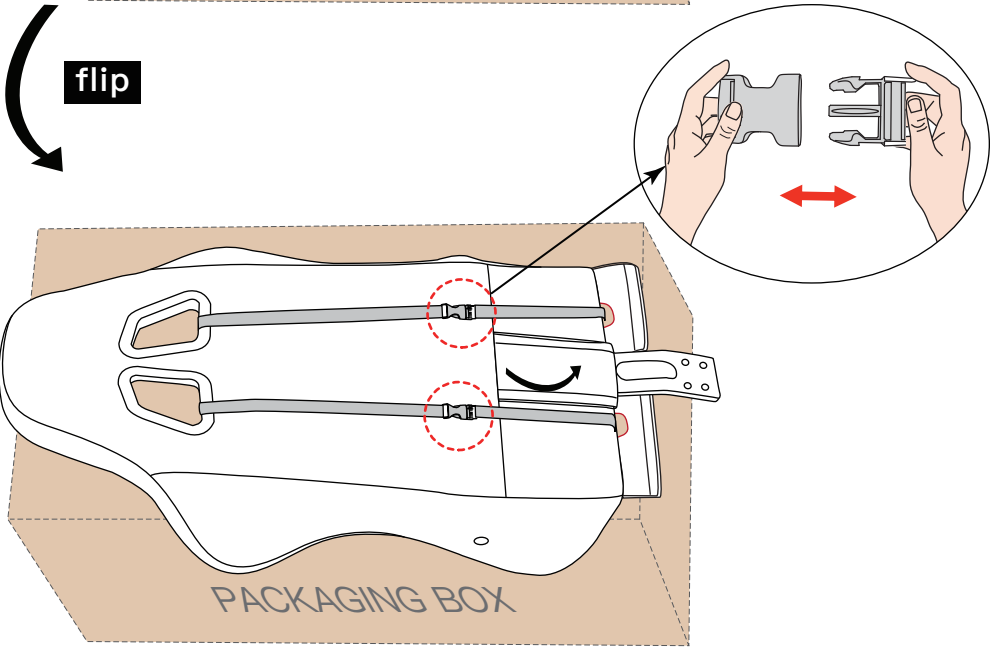
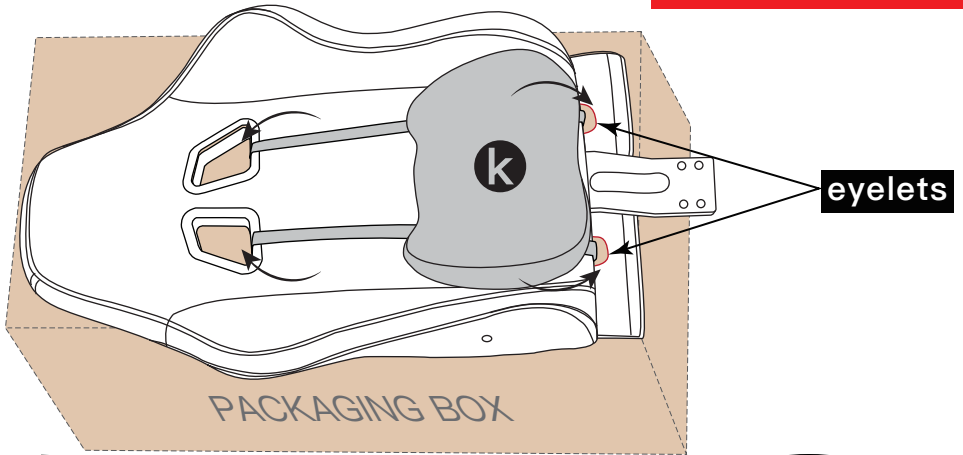
7 Install the connector on the chair back.
(For easy installation, place the SEAT on top of the packaging box.)



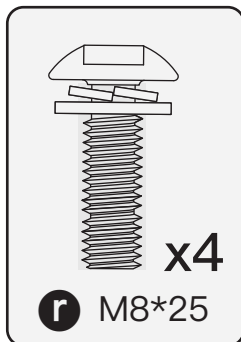
* Note that the direction of the connector.

8 Install the lumbar pillow on the backrest.

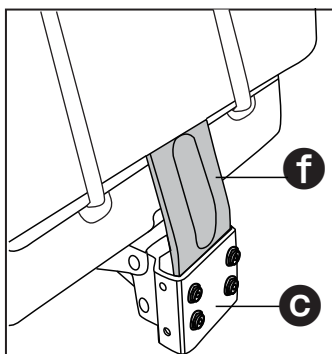
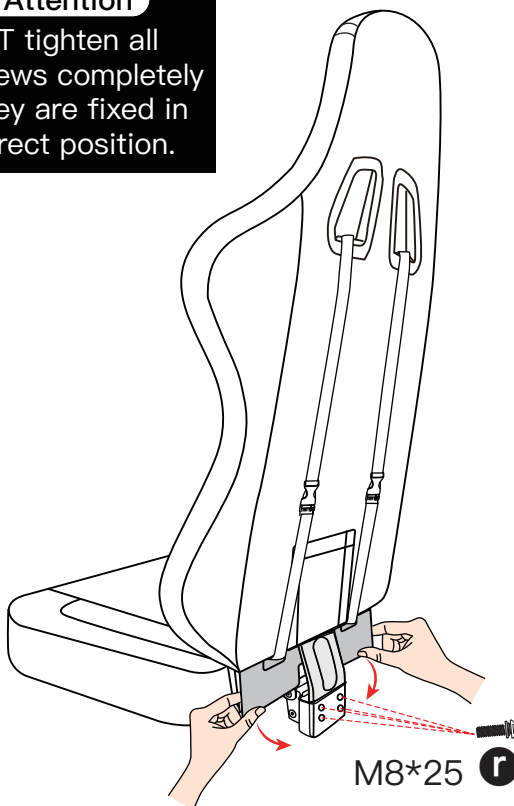
Thread the belt through the backrest eyelets.



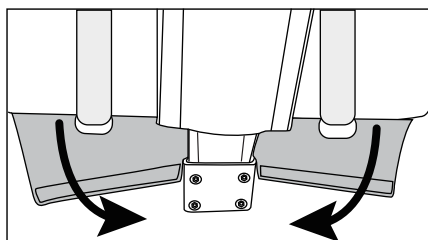
9 Install the connector into the rear end of mechanism.



⚠ Attention
DO NOT tighten all the screws completely until they are fixed in the correct position.

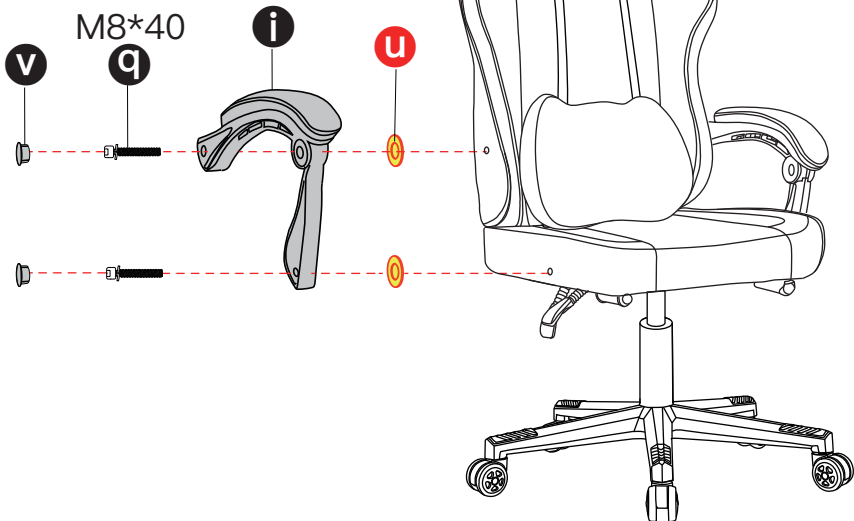
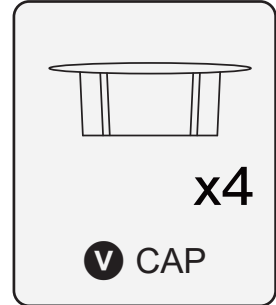
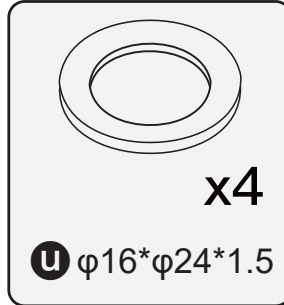
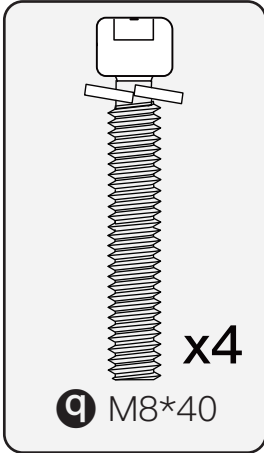


Note: Connector **f** INTO mechanism **c**.



Stick the Velcro of the backrest to the seat bottom.

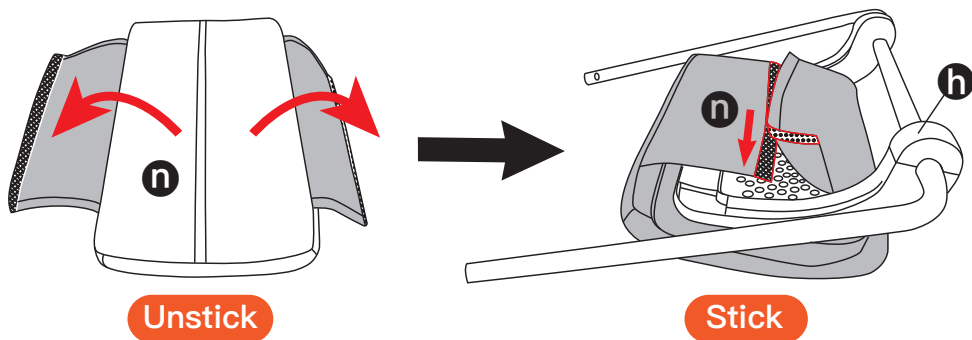
10 Align screw holes and install the armrests.



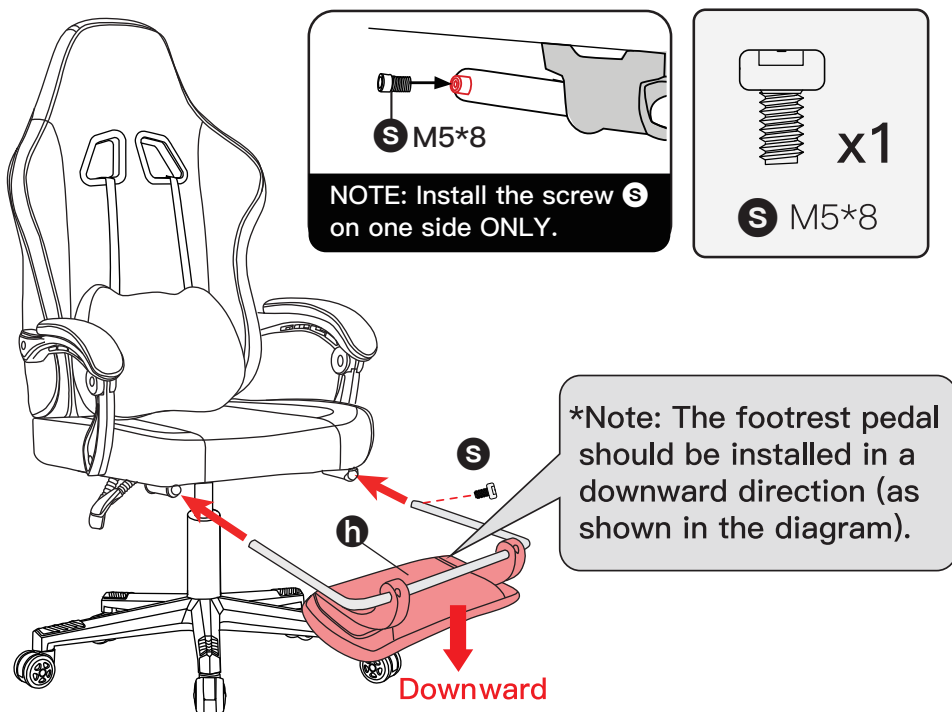
⚠ Attention

1. Put the washer **u** between the armrest and chair body.
2. DO NOT tighten the screws completely until they are all fixed in the correct position.

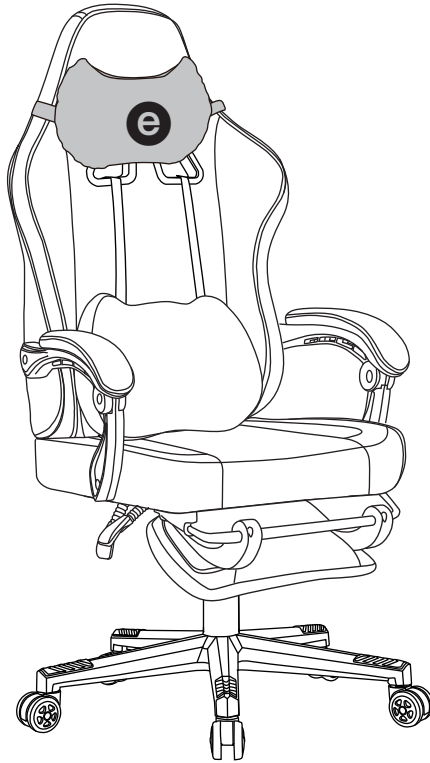
- 11** Optional Installation:
Put the footrest cover onto the pedal of the footrest.



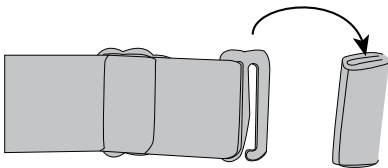
- 12** Insert the footrest into the footrest rails with screw **S**.



13 Install the headrest.

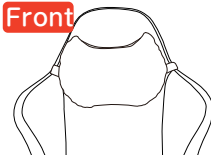


*** Length-adjustable belt**

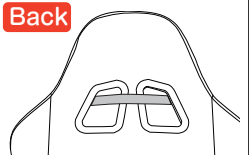


Method 1

Front

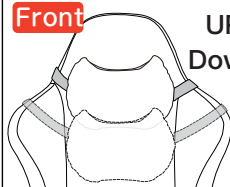


Back



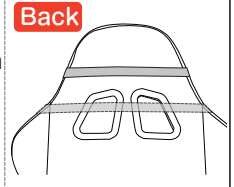
Method 2

Front



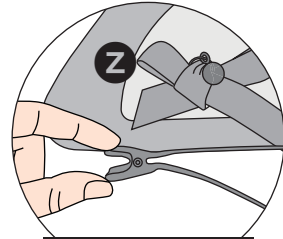
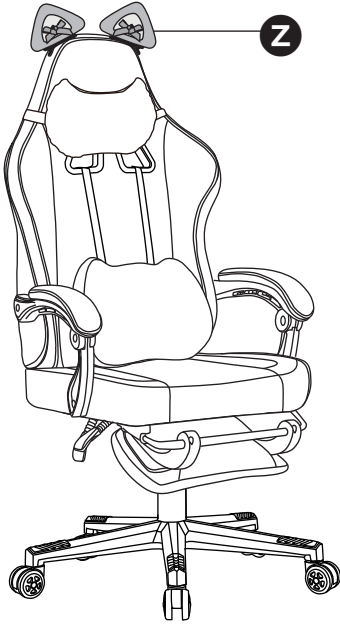
UP
Down

Back

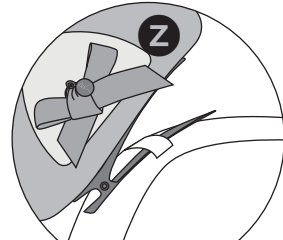


The belt can be adjusted up or down.

14 Install the decorative ears. Complete.

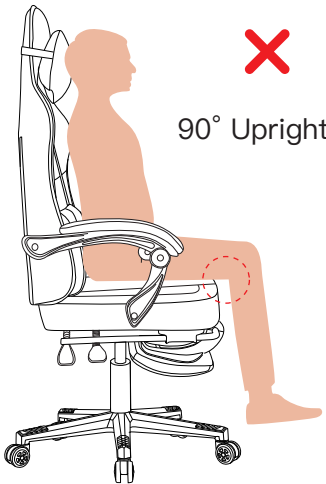


press the clip

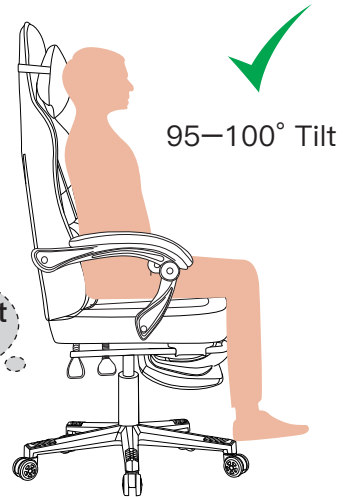


insert the clip

15 Tips for a deeper seat cushion.



90° Upright



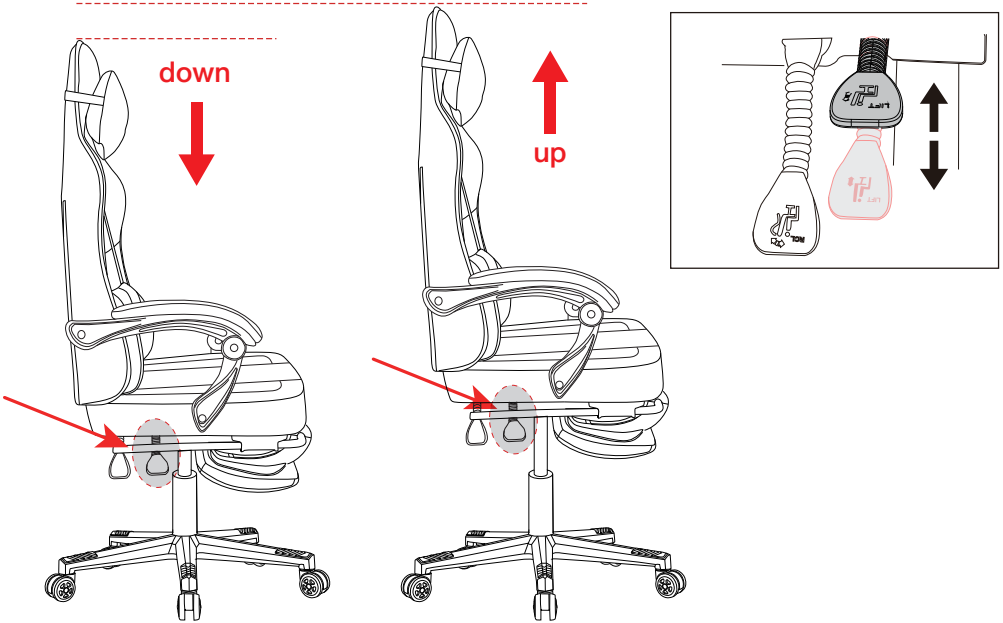
95-100° Tilt

Don't forget to lock it!

When the backrest is upright, taller people lose thigh support.

The 95-100° tilt increases the cushion depth, allowing you to sit inward.

A Chair Height Adjustment



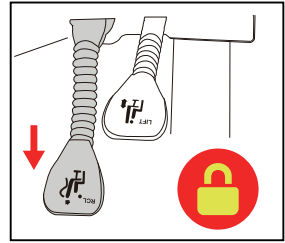
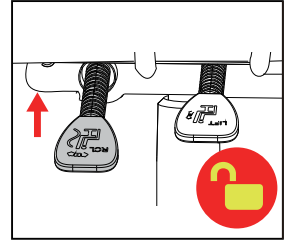
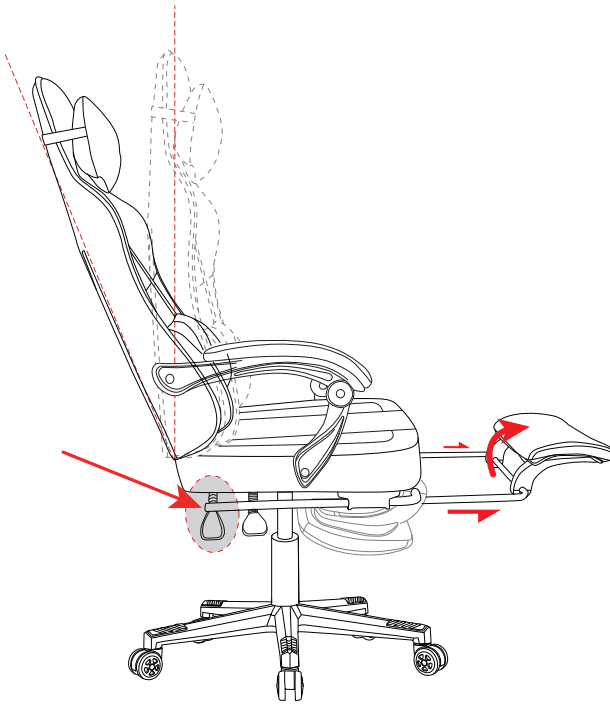
Cylinder Fixed Base “LIFT” You can adjust the seat height by using the lever.

- While sitting in the center of the seat, pull the “LIFT” lever on the lower right side of the seat upward to lower the seat.
- While lifting your hips, pull the “LIFT” lever on the lower right side of the seat upward to raise the seat.

Note:

The height adjustment feature may not work properly immediately after assembly. To activate it, apply pressure to the gas cylinder so that it contacts the base, then sit on the chair a few times to help engage the mechanism.

B Back Recline Function



The reclining function can be adjusted using the “RCL” lever on the cylinder base.

- (1). Sit in the center of the seat and lean back against the backrest.
- (2). Pull the “RCL” lever located at the bottom right of the seat upwards to release the lock and tilt the backrest.
- (3). Press the “RCL” lever downward to lock the backrest at your preferred angle.

⚠ Attention

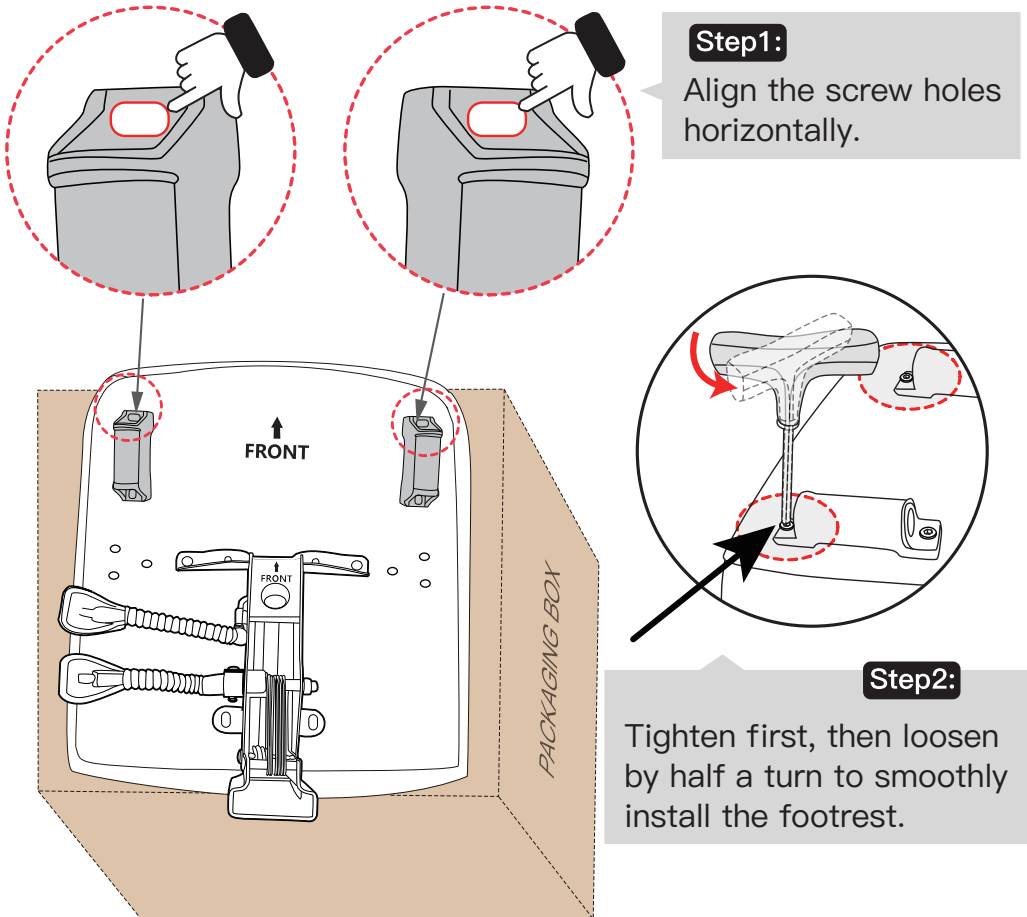
To avoid injury, DO NOT lean back on the backrest before it's locked in place. This could cause the backrest to tilt suddenly. After adjusting the angle to your liking, make sure to press the “RCL” lever downward to securely lock it.

04 Frequently Asked Questions

Q: Isn't the footrest sliding smoothly?

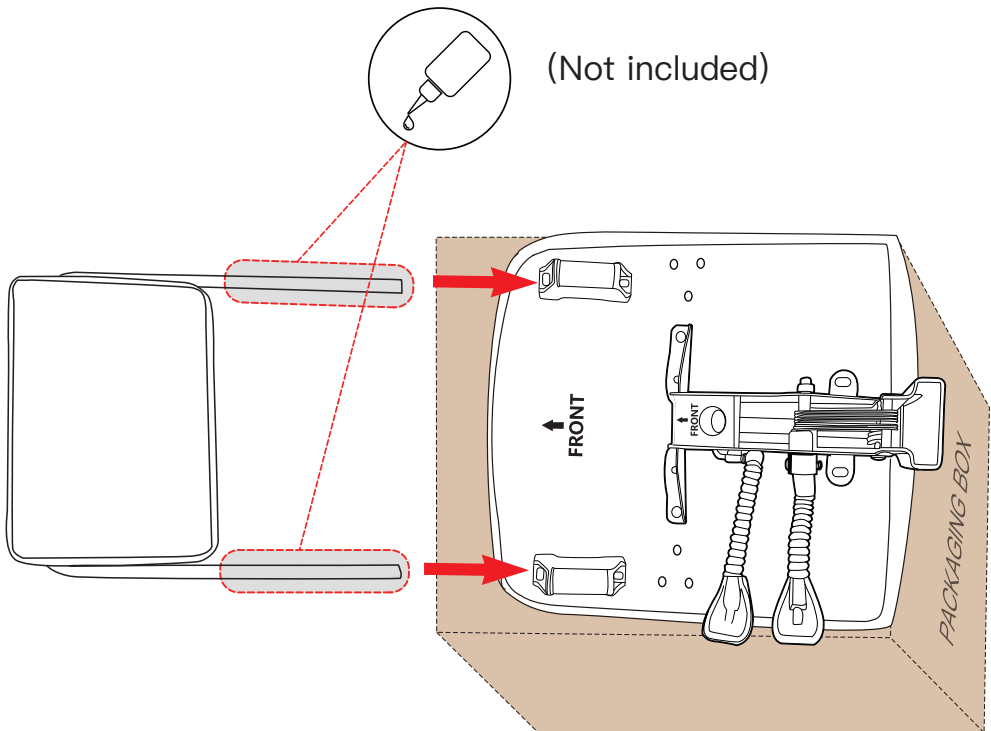
A: Adjust the footrest rails.

Method 1



Method 2

Method 1 didn't work? Try applying a small amount of lubricating oil (Not included) evenly on the footrest rods as shown to make the footrest slide more smoothly.



Q2: Why do the armrests loosen after a period of use?

A2: In most cases, the screws of the armrests and back become loose after a period of use, and re-tightening the screws can fix the problem.

05 Safety Information

Please use the chair properly to prevent any potential safety accidents.



Sit in the center of the chair with your back to the backrest.



DO NOT sit at the front edge of the chair.



DO NOT stand on the chair.



DO NOT turn the chair around when a person is sitting in it.



DO NOT push down on the backrest when a person is reclined



DO NOT place only your back on the chair



DO NOT use the chair with more than one person.

SAFETY INFORMATION

- Use this chair for seating only one person at a time.
- ☒ DO NOT stand on the chair.
- ☒ DO NOT use the chair as a stepladder.
- ☒ DO NOT use the chair unless all screws are firmly secured.
- ☒ Avoid contact with sharp objects to prevent puncturing the fabric.
- ☒ Every 6 months, check all screws to ensure they are all tight.
- ☒ To clean, spot clean only needs a damp towel and mild cleaner, first test on a small obscure area of fabric.

MAINTENANCE

- ◆ Thank you for choosing us. We are always dedicated to providing high –quality and safe products for comfort.
- ◆ We guarantee each of its new products to be free from defects in materials and/or defects caused by workmanship. This does not apply to normal wear and tear or to damage caused by neglect, lack of maintenance, abnormal operation or unreasonable use, damage caused by the use of accessories or parts not manufactured by us or components altered and/or disassembled.
- ◆ This warranty does not cover products purchased from unauthorized retailers or not owned by the original consumer. We do not cover lost or stolen items/parts.

Except to the extent prohibited by applicable law, any implied warranty of merchantability or fitness for a particular purpose on this product is hereby disclaimed .

We shall not be liable for any incidental, consequential, special, or punitive damages of any kind for breach of the express limited warranty on this product, or any warranty implied by operation of law.

Other than the express limited warranty set forth above, there are no other warranties that accompany this product, and no oral, written, or any other express warranties are implied.