

# ALTECK

## ECLIPSE

### Wall Sconce

AW0089-3CCT-W

#### DIMENSIONS

Height: 12 3/4"

Width/Diameter: 12"

Depth: 3 3/4"

Minimum Height:

Maximum Height:

Canopy/Backplate: 8"x8"

Product Weight: 4.4 lb

#### SPECIFICATIONS

Location Listed: Wet

IP Rating: IP44

Rated Life: 54000 Hours

Standards: ETL, cETL, ADA

Input: 120~277 VAC, 50/60Hz

TRIAC Dimming: 100-10%

Mounting: Wall Mount

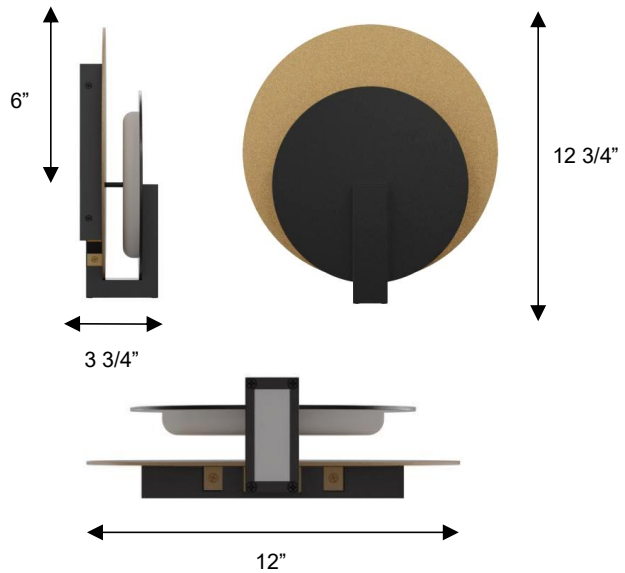
Color Temperature: Adjustable

3000K/4000K/5000K

CRI Rating: 80

Material: Aluminum

Diffuser Material: Frosted acrylic



#### AVAILABLE FINISHES



#### ORDERING INFORMATION

AW0089-3CCT-W	COLOR TEMP	FINISH	VOLTAGE	WATTS	DELIVERED LUMENS
	3000K/4000K/5000K	BK/PB BLACK/PAINTED BRASS	120~277V	11W	350

Example: AW0089-3CCT-W-BK/PB

For customer requests please contact: [info@altecklighting.com](mailto:info@altecklighting.com)

[altecklighting.com](http://altecklighting.com)