

# Assembly Instruction

ITEM NO.:

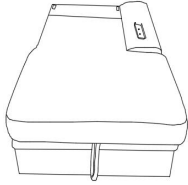
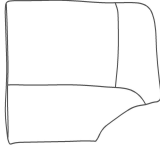
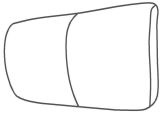
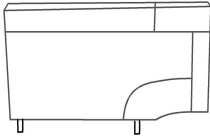

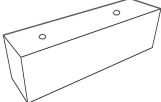
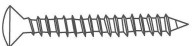
RSF Chaise with Storage



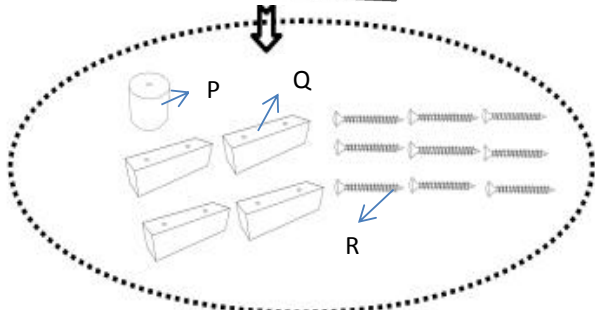
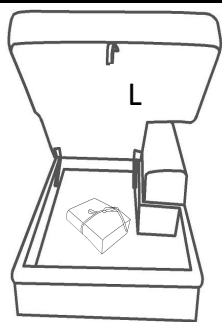
Legs and hardware are stored in chaise storage, please take out for assembly.

Note: Do not use power tools for assembly. Power tools increase the risk of over tightening which lead to splitting or cracking the wood

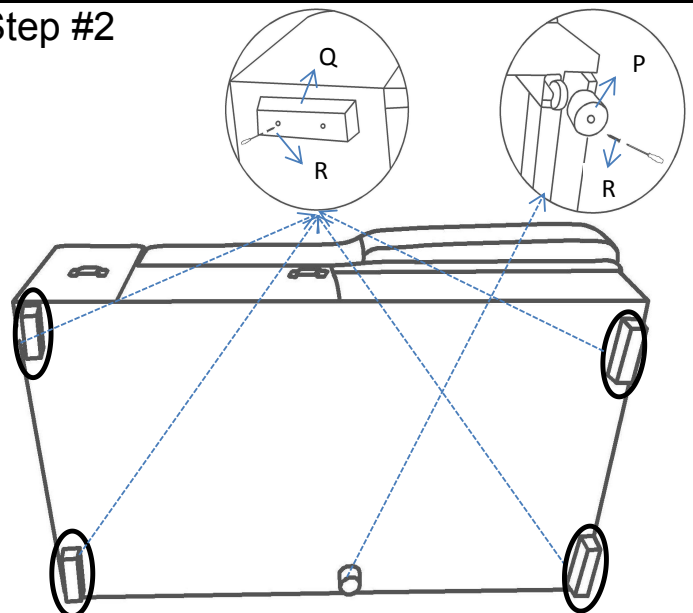
## Component list .

Label	Picture	Description	QTY(pc)
L		Chaise Seat	1
M		RSF Back Cushion	1
N		RSF Arm	1
O		Back Rest	1
P		Plastic leg φ1.96"*1.96"	1
Q		Plastic Leg 7.08"*1.96"*1.96"	4
R		Screw φ0.15"*1.96"	9

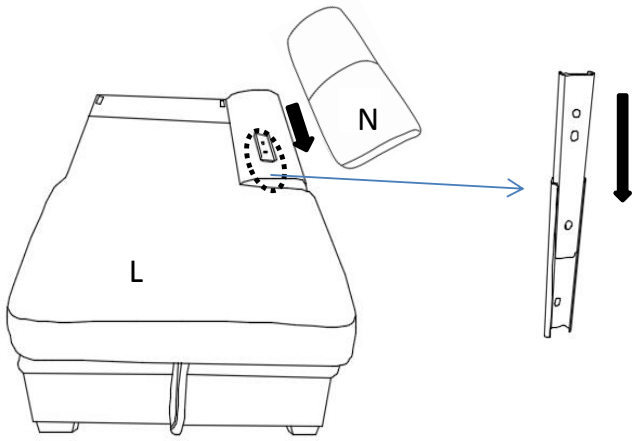
Step #1



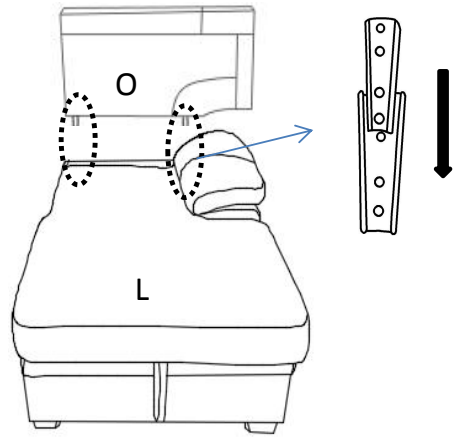
Step #2



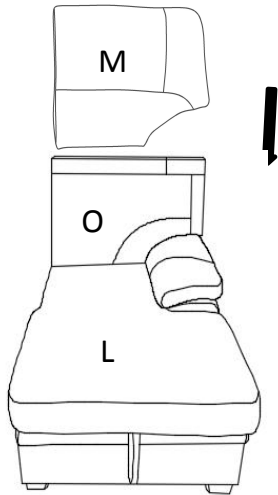
Step #3



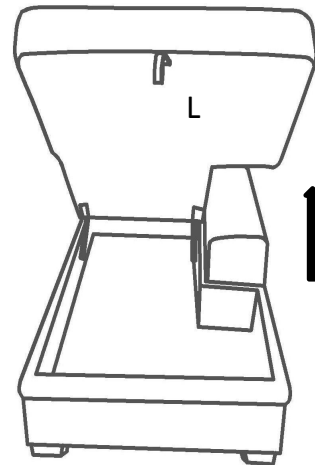
Step #4



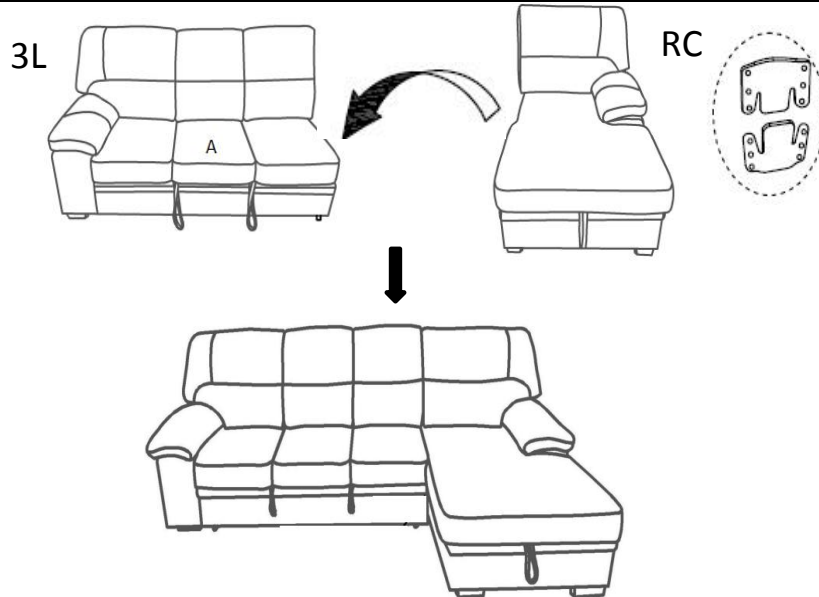
Step #5



Step #6



Step #7



**Care Instruction for Fabric Furniture:**

In order to maintain the original appearance of your fabric furniture, please follow below simple care proceures:

- Avoid exposing furniture directly to sunlight or heating and air conditioning outlets. Sunlight and or exposure to heating and air conditioning outlets will fade/damage fabric.
- Vacuum or wipe with a soft cloth to remove dust.



For item use on wooden floor, hard surfaces or carpets, it is recommended to install protective pads under all legs and supports to avoid/prevent from damages/scratches and discoloration.