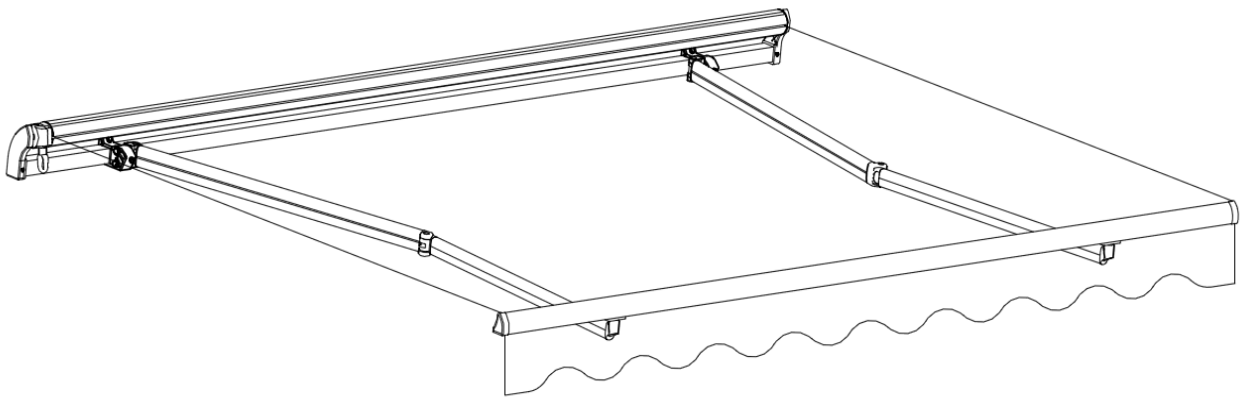


Manual Retractable Awning Instructions for Installation and Operation



Contents

Specifications	(1)
Safe installation and operation	(1)
Parts list	(2)
Installation procedure	(3) (4) (5)
Description of mistake	(5)
Operation of Awning	(5)
Name list of parts	(6)

Specification / Safety operation

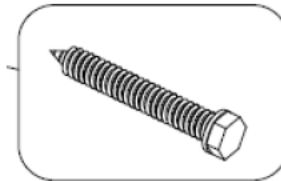
1

Specification

Product name	Material and surface treatment	Applicable wall type	Recommended installation height	Applicable weather
BW13000 W×L retractable awning framework W: Product length L: Arm length	Materials: Steel tube, aluminum alloy, plastic parts, dacron cloth Service treatment: Tubes: plastic spraying (painting) and oxidation. Cloth surface: waterproof treatment	Reinforced concrete walls, brick walls and wooden walls	2.5m - 3.5m	The products are used to shield sunshine, so it is only use when the wind is under level 5 and it is not raining as well. Not suitable to use in rainy or windy conditions

※Only screws for reinforced concrete walls and brick walls are provided. If you want to install the product on a wooden wall, please seek further advice and refer to the picture to the side.

Please see product picture on the cover. Two people are needed to install the product
Important: Read "Instructions for installation and operation" carefully before installation. Keep the instruction in a safe place for future reference.



Symbol explanation:

- 1 Means it is forbidden
- 2 Means important

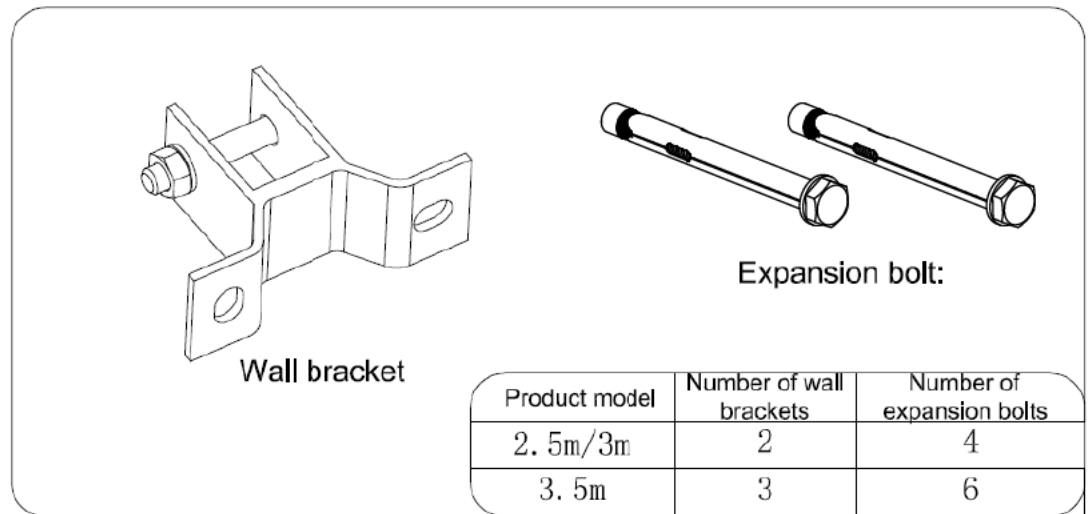
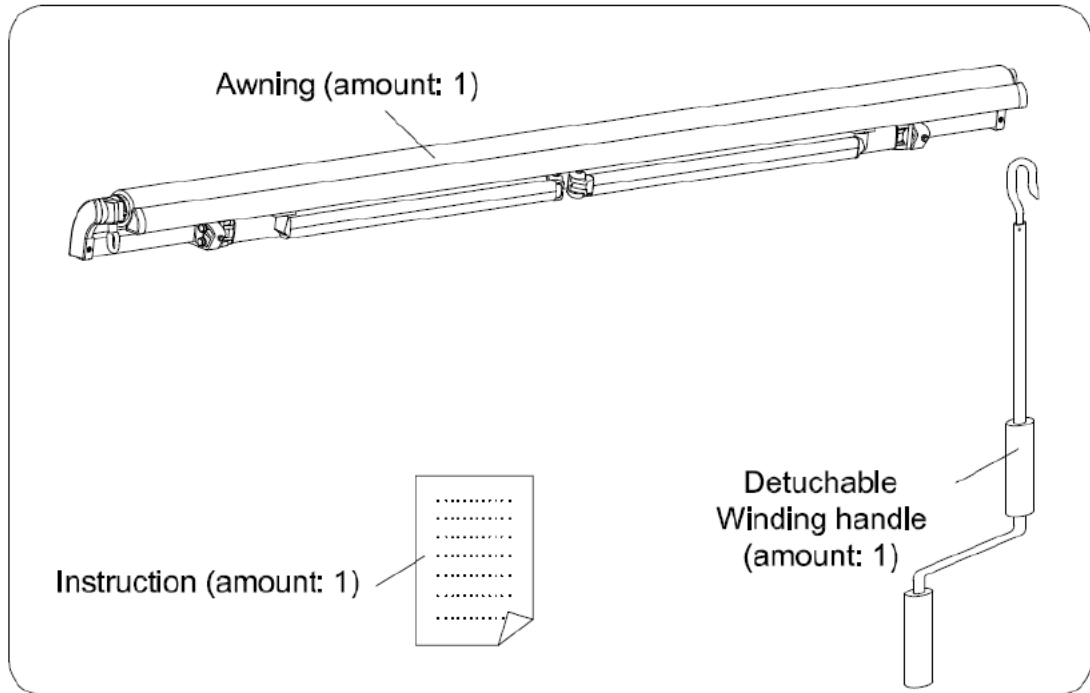
The installation hardness between wooden wall and screw should be the same or larger than that in reinforced concrete wall. Please ask professionals for help if you are not sure.

Safe installation and operation

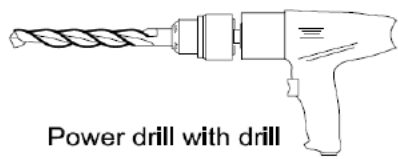
- 1 Do not install it in high and windy places.
- 2 Don't use it in places that have vibrations or impulses.
- 2 Don't use it in places of high temperature such as walls near furnaces.
- 2 Don't put heavy things on the frame as it may fall down and cause damages.
- 1 Never use it in rainy and windy conditions.
- 1 Never use it for any other purpose other than a sun awning.
- 1 Be careful where you place your fingers during installation.
- 1 Two adults are needed to move and install the awning as the product is big and heavy.
- 1 Please use all the screws and nuts correctly during installation as it is very dangerous if you leave them loose.
- 1 Please close the sunshade in windy and rainy conditions
- 2 Stains and bird droppings should be washed or sponged away using a mild detergent.

Parts List

2



Please prepare the following tools before installation (they are not included in the products)

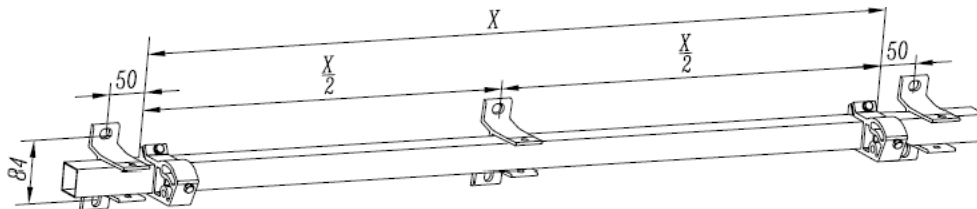


Installation procedure

3

Distance between neighbouring wall brackets

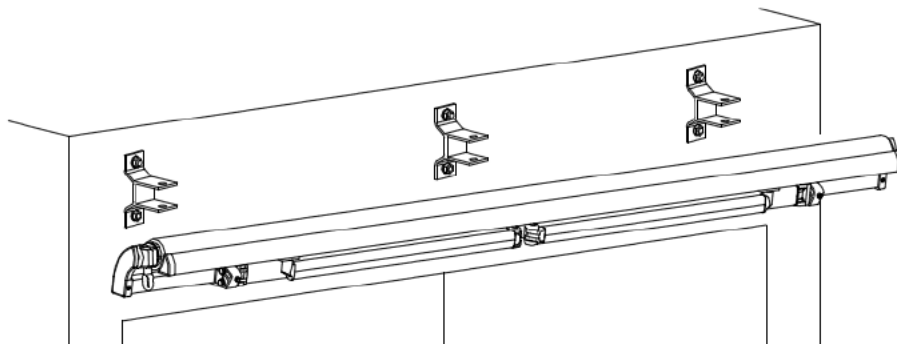
Distance between neighboring wall brackets when the product length is 3.5m (If awning size is under 2.5m or 3m, only two wall bases are available on each end of torsion bar while there is no wall brackets in the middle of the awning.)



Installation height of wall brackets.

We recommend making the awning surface to form an angle of about 80 degrees with the wall when it is open.

Install the awning on the wall brackets according to "installation distance between wall brackets", put the original bolts on the wall brackets and tighten them. Finally fasten all the expansion bolts.



Installation procedure

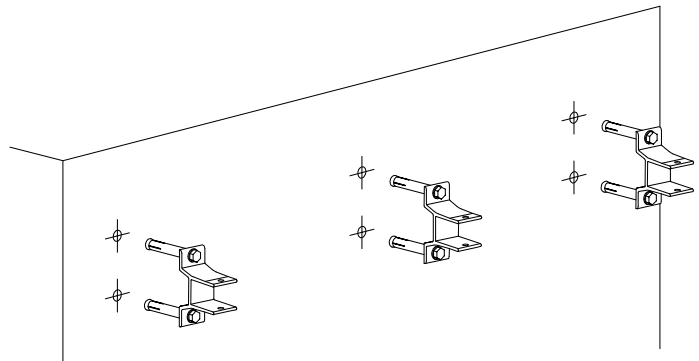
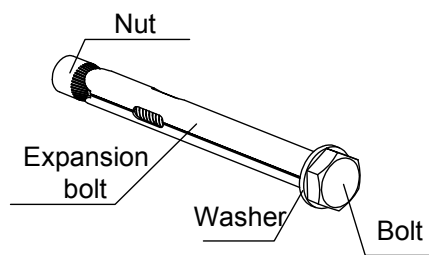
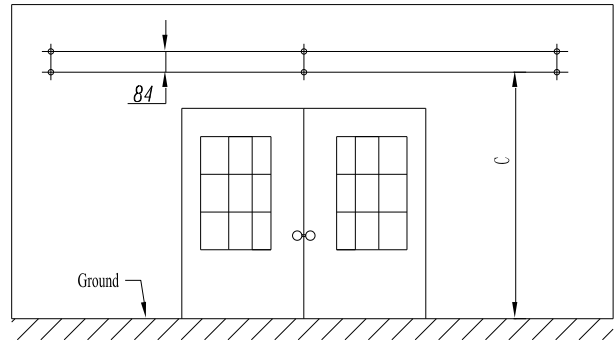
Drill holes on the wall

Drill holes for wall brackets on the wall according to the installation distances and heights of the wall bases. The diameter of the hole is 12mm and the depth of the holes must be the same as that of expansion bolts

The holes of each group must be on the same line in a horizontal direction and vertical direction.

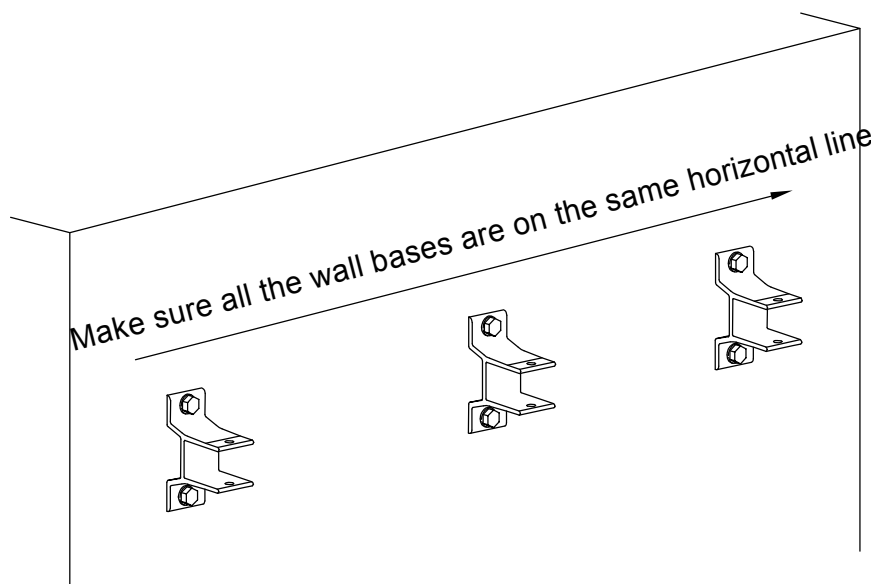
(Note: It is recommended to draw lines on the wall first to ensure precise position and size of the holes)

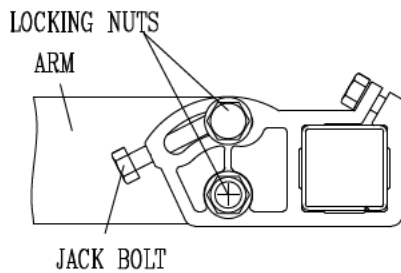
Hammer all the expansion bolts into the holes, take down the nut and washer



(Note: the nut and washer might be separated from the bolt during the process of transportation, please put them back into their original positions before you hammer them into the wall during installation.)

Put the expansion bolts through the wall bracket, then plug the expansion bolts into the above-mentioned hole. Check and ensure all wall brackets lies on same horizontal line before tightening all nuts.

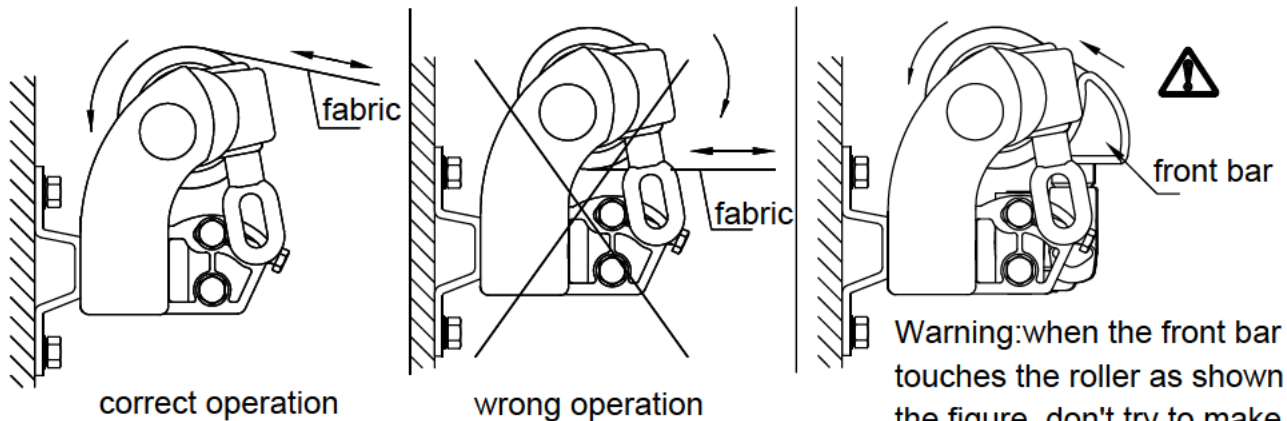




INSTRUCTION FOR THE FRONT SIDE LEVELING

1. LOOSEN THE LOCKING NUTS.
2. TURN THE JACK BOLT TO ADJUST PITCH.
3. ADJUST THE ARM UNTIL THE FRONT SIDE STAYS IN HORIZONTAL LINE .
4. TIGHTEN THE LOCKING NUTS.

Description of Potential Problems



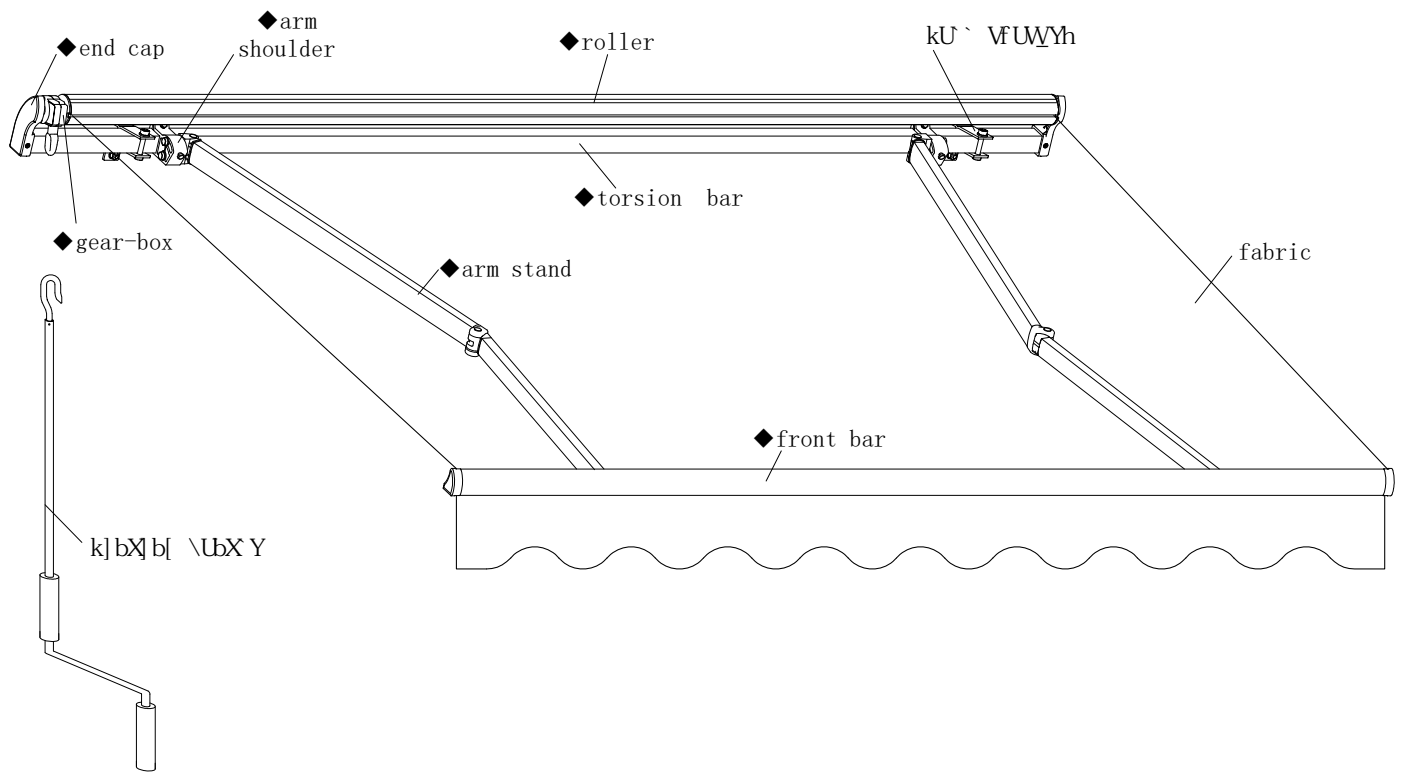
Warning: when the front bar touches the roller as shown in the figure, don't try to make them closer, otherwise the product might be damaged.

Operation of the Awning

To extend the Awning attach the winding handle to the winding ring loop and turn clockwise until fully open

To retract the awnings turn the handle anti-clockwise

The winding handle can be removed when the awning is not in use.



※Note:

1. The gear box is the most vulnerable part of the product, so it needs to be checked once for every three months.
2. It is recommended the Awning is taken off the wall brackets and stored indoors during the winter months to help prolong the life of your awning.