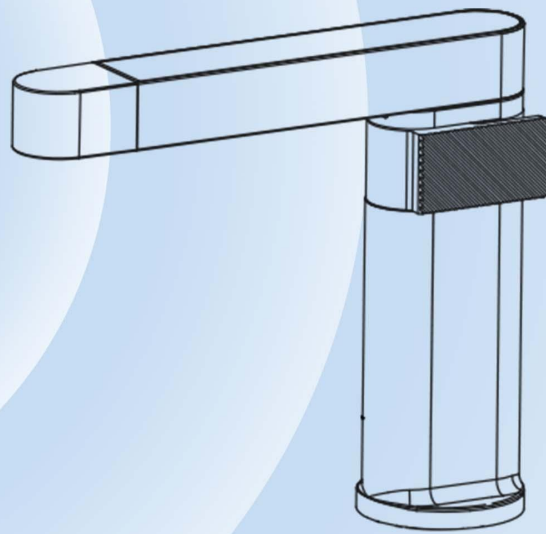
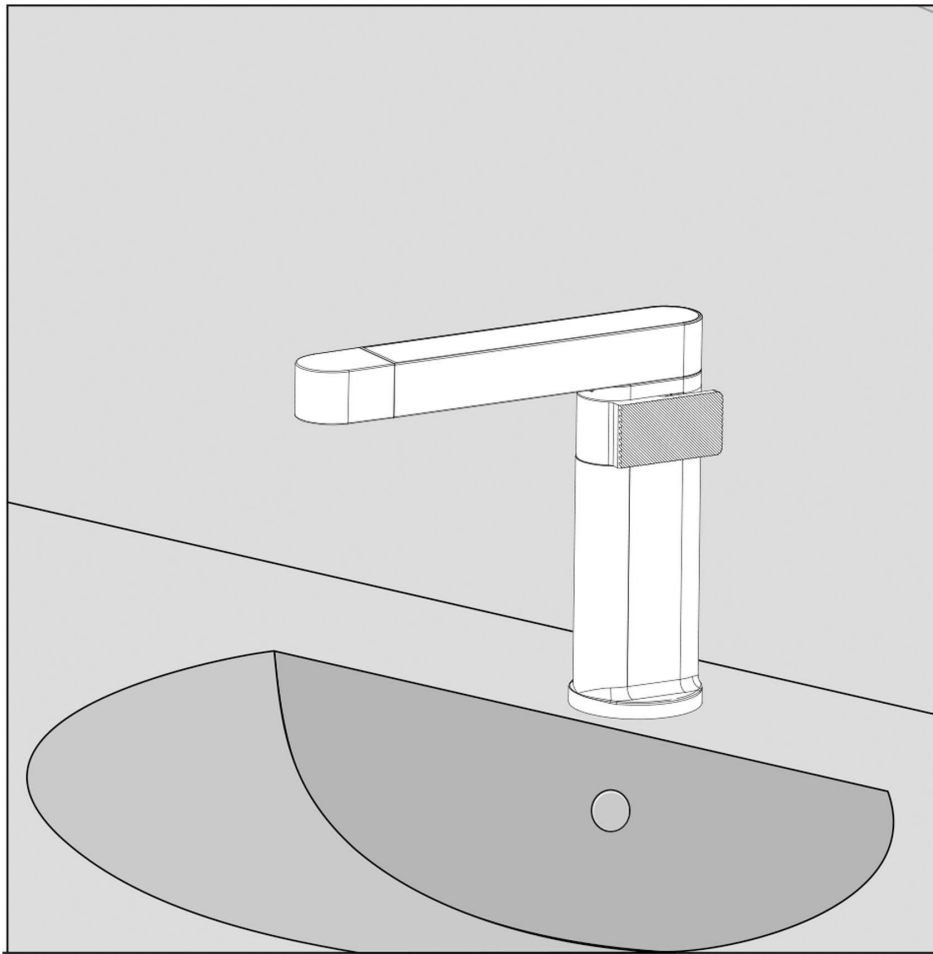




# Single-Hole Basin Mixer Installation Guide



# Installation Manual



**IAPMO RESEARCH AND TESTING, INC.**  
5001 East Philadelphia Street, Ontario, California 91761-2816 - USA - 909-472-4100 - 909-472-4244 - www.iapmo.org


## CERTIFICATE OF LISTING


This certificate is not evidence of current listing. To verify listing status, visit the IAPMO R&T Product Listing Directory at [pl.iapmo.org](http://pl.iapmo.org)


Effective Date: December 2019 - Rev. 2/24/2020 - Void After: December 2024  
 Product: Flexible Water Connectors File No. 5311  
 Issued To: Fanksi Group Inc.  
 Mechanical & Electrical  
 Industrial Zone  
 Yuhuan County,  
 Yuhuan 317600, ZHEJIANG  
 China


**Identification:** Products shall be marked with manufacturer's name or trademark, a statement "For use with water in accessible locations only." The products shall also bear the UPC certification mark. Markings shall be by means of either a permanent mark on the product, a label on the product or a tag attached to the product.

**Characteristics:** Flexible water connectors manufactured in various sizes, lengths and metal and fittings for hot or cold water applications that consist of an inner tube, which may or may not have an outer braided cover. Connectors are to be installed for use in accessible locations only, to be installed in accordance with the manufacturer's instruction, and the latest edition of the Uniform Plumbing Code and National Plumbing Code of Canada.

Products listed on this certificate have been tested by an IAPMO R&T recognized laboratory. This recognition has been granted based upon the

  
Chairman, Product Certification Committee

  
CEO, The IAPMO Group



This listing panel is based upon the test data of the sample submitted on the Effective Date and the data shown above. Any change in material, manufacturing process, marking or design without being in accordance with the approval of the Product Certification Committee, or any violation of requirements with applicable codes and standards, or if change subsequently, may be deemed sufficient cause for revocation of this listing. Markings of this listing shall be in accordance with the requirements of the listing. This document shall be reproduced in its entirety. Any alteration of this certificate could be grounds for revocation of the listing. This document shall be reproduced in its entirety.

**IAPMO RESEARCH AND TESTING, INC.**  
5001 East Philadelphia Street, Ontario, California 91761-2816 - USA - 909-472-4100 - 909-472-4244 - www.iapmo.org





## CERTIFICATE OF LISTING

This certificate is not evidence of current listing. To verify listing status, visit the IAPMO R&T Product Listing Directory at [pl.iapmo.org](http://pl.iapmo.org)

Effective Date: December 2019 - Rev. 2/24/2020 - Void After: November 2024  
 Product: Plumbing Fixture Fittings File No. 15633  
 Issued To: Aqua Gallery Co., Ltd  
 11th-15th A10 Block  
 International Creative  
 Auxiliary City, 518800  
 Poshan, China

**Identification:** Plumbing supply fittings complying with this Standard shall be marked with the manufacturer's recognized name, trademark, or other mark or, in the case of private labeling, the name, trademark or other mark of the customer for whom the fitting was manufactured. The marking shall be accompanied by use of a permanent mark or by placing a permanent label on the product. Markings on plumbing supply fittings shall be visible after installation.

Single-handle, single-control, and automatic compensating mixing bath and shower valves shall have identifiable temperature control settings in which the settings are indicated by words "cold", "warm", "hot", etc.), by numbers, or graphically.

Packages shall be marked with the manufacturer's name, trademark, or other mark as well as the model number or, in the case of private

  
Chairman, Product Certification Committee

  
CEO, The IAPMO Group



This listing panel is based upon the test data of the sample submitted on the Effective Date and the data shown above. Any change in material, manufacturing process, marking or design without being in accordance with the approval of the Product Certification Committee, or any violation of requirements with applicable codes and standards, or if change subsequently, may be deemed sufficient cause for revocation of this listing. Markings of this listing shall be in accordance with the requirements of the listing. This document shall be reproduced in its entirety. Any alteration of this certificate could be grounds for revocation of the listing. This document shall be reproduced in its entirety.

**IAPMO RESEARCH AND TESTING, INC.**  
5001 East Philadelphia Street, Ontario, California 91761-2816 - USA - 909-472-4100 - 909-472-4244 - www.iapmo.org





## CERTIFICATE OF LISTING

This certificate is not evidence of current listing. To verify listing status, visit the IAPMO R&T Product Listing Directory at [pl.iapmo.org](http://pl.iapmo.org)

Effective Date: March 2019 - Rev. 2/24/2020 - Void After: March 2024  
 Product: Plumbing Fixture Fittings - Components File No. 9703  
 Issued To: Ringbo Metal Cartridge Technology Co., Ltd.  
 Xianhe Zone, Chuzhou  
 Fenghua, 310202  
 China

**Identification:** Each fitting component shall bear permanent legible markings to identify the manufacturer. This marking shall be the trade name, trademark, or other mark known to identify the manufacturer. The product shall also bear all other markings required by the standard. The marking shall be applied so as to be visible after installation. The product or packaging shall also bear the UPC certification mark along with the term "COMPONENT" above.

**Characteristics:** Plumbing fixture fitting components to be installed in accordance with the manufacturer's instructions and the requirements of the latest edition of the Uniform Plumbing Code.

Products listed on this certificate have been tested by an IAPMO R&T recognized laboratory. This recognition has been granted based upon the laboratory's compliance to the applicable requirements of ISO/IEC 17025.

Products are in compliance with the following code(s):  
 Uniform Plumbing Code (UPC)

  
Chairman, Product Certification Committee

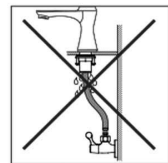
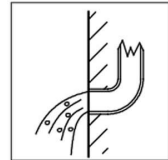
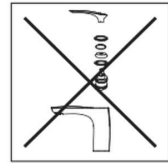
  
CEO, The IAPMO Group



This listing panel is based upon the test data of the sample submitted on the Effective Date and the data shown above. Any change in material, manufacturing process, marking or design without being in accordance with the approval of the Product Certification Committee, or any violation of requirements with applicable codes and standards, or if change subsequently, may be deemed sufficient cause for revocation of this listing. Markings of this listing shall be in accordance with the requirements of the listing. This document shall be reproduced in its entirety. Any alteration of this certificate could be grounds for revocation of the listing. This document shall be reproduced in its entirety.

## 1 Installation Guidelines

- After opening the product packaging, check the parts against the "Included Items" to make sure that all parts are present. If any parts are missing, please contact your local dealer immediately.
- Your sink should match the installation dimensions of this product.
- The faucet cartridge in the main body has already been calibrated at the factory. Disassembly is not recommended.
- The hot water pipe connection should be marked with a red label or ring, and the cold water pipe connection should be marked with a blue label or ring. If the hot and cold water pipe connections are reversed, the red and blue markings on the faucet handle will be opposite to the actual water temperature. Please verify that the hot and cold water pipe connections are correct before turning on the water supply.
- Before installing the faucet, flush the pre-embedded water pipes to remove any dirt or sediment to avoid clogging and ensure smooth water flow.
- After installation, check all joints and connections for leaks.
- Inlet water pressure requirements:  $0.05\text{MPa} \leq \text{inlet water pressure} \leq 0.75\text{MPa}$  (including cold water pressure).



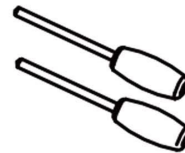
### Recommended tools:



Water sealant



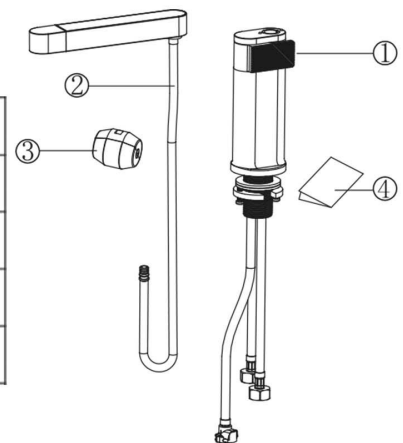
Allen key



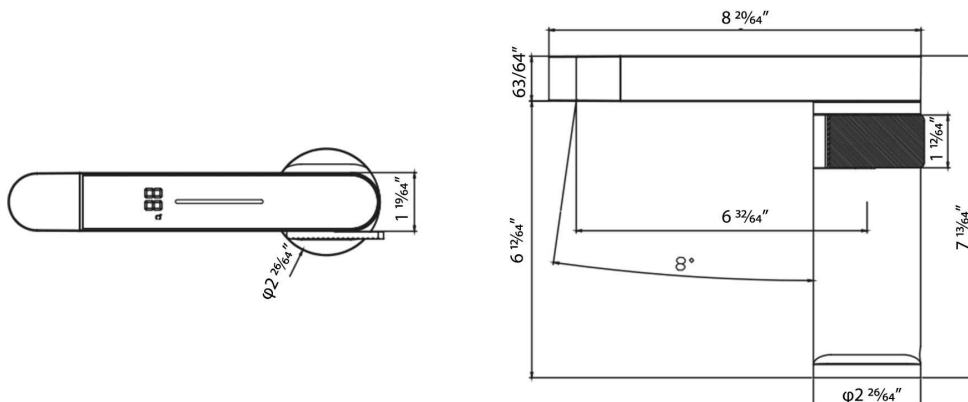
Flat screwdriver  
Cross screwdriver

## 2 Included Items

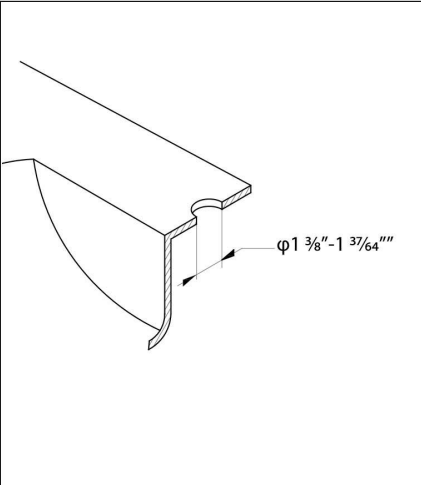
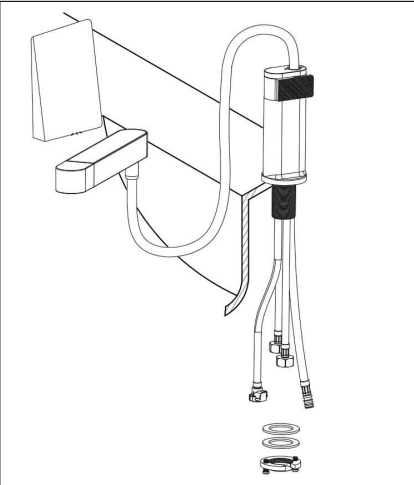
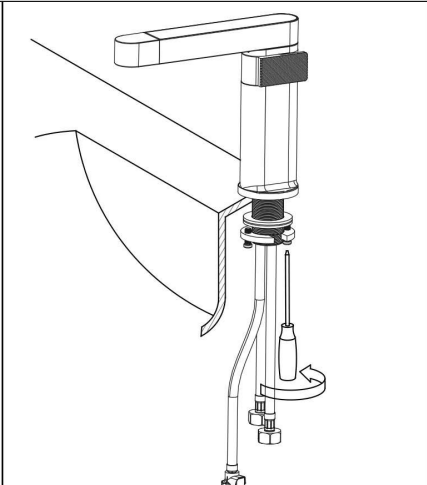
NO.	Item	Quantity
1	Body	1
2	Spout Assembly	1
3	Gravity Ball	1
4	Manual	1

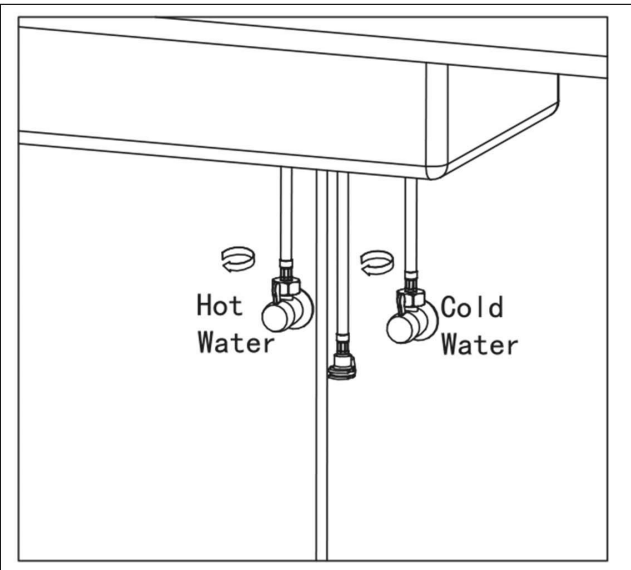
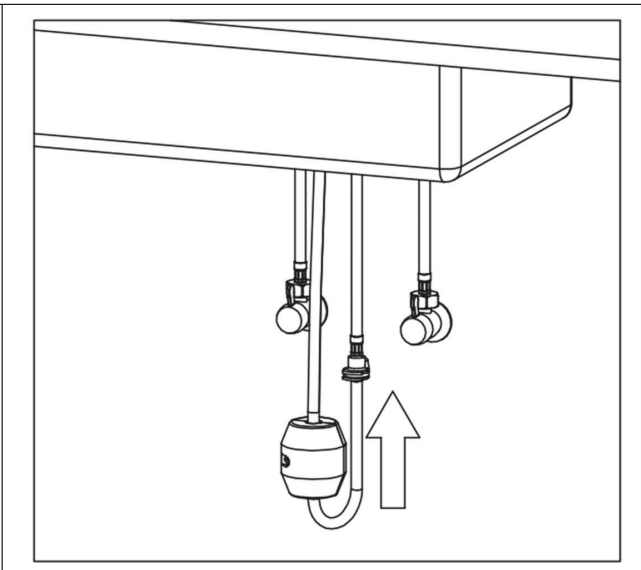


## 3 Dimension Diagram

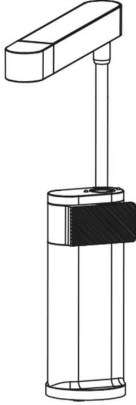
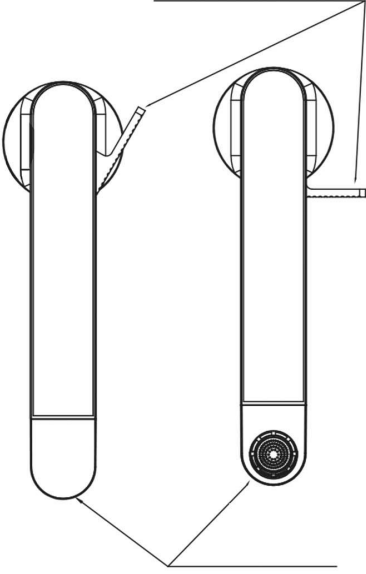
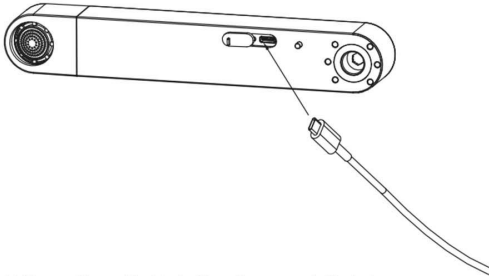


## 4 Installation Steps

		
<p style="text-align: center;"><b>1</b></p> <p>Before installation, make sure there a single hole measuring between 1 3/8" and 1 37/64"(35-40mm) in diameter on the sink.Place the O-ring on the underside of the faucet body.Insert faucet into sink opening.</p>	<p style="text-align: center;"><b>2</b></p> <p>From below the sink, slide the rubber gasket, the stainless steel gasket, and the mounting bracket onto the threaded shank.</p>	<p style="text-align: center;"><b>3</b></p> <p>Turn the mounting bracket clockwise and tighten to secure the bracket. Then use a screwdriver to tighten the screws on the mounting bracket.</p>

	
<p style="text-align: center;"><b>4</b></p> <p>Connect the cold and hot water inlet pipes to the corresponding valves.</p>	<p style="text-align: center;"><b>5</b></p> <p>Attach the pull-out hose to the mixing water pipe, then install the gravity ball at the designated point on the hose.</p>

## 6 User Manual

<p>The faucet's spout is retractable and can be pulled out when needed.</p> 	<p>Turn the handle forward, starting with cold water, then warm water, and turn to 90 degrees for full hot water.</p> <p><b>Note: Please do not turn the faucet on all the way to avoid burns.</b></p>  <p>The faucet head can be rotated 360 degrees.</p>	 <p><b>When the digital display and light bar are not lit, charging is required.</b></p> <p>The pull-out head has a Type-C charging port on the bottom. It can be charged with a power bank. Or the pull-out head can also be removed for easier charging.</p> <p>When charging: The indicator light of the Type-C charging port turns red, and it turns green when charging is complete.</p>
---	--	---

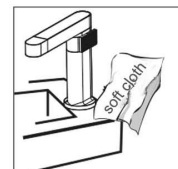
## 7 Faucet Care And Maintenance

### a. To keep the faucet surface bright and clean, please clean the faucet regularly:

1. Use clean water to wash the faucet and wipe it dry with a soft cotton cloth.
2. Avoid using cleaning powder, polishing powder, and other abrasive detergents or nylon brushes, as this may scratch and corrode the product.
3. Do not use acidic cleaning agents to wash the faucet, as this may cause corrosion on the surface of the faucet. If the faucet comes into contact with harmful acidic agents, rinse it off with water immediately.

### b. If you need to do a deep cleaning, please follow the following steps:

1. Use clean water and a soft cloth to remove as much surface dirt and grime as possible.
2. Use any of the following cleaning agents to remove surface dirt and grime:
  - Mild liquid cleanser
  - Colorless glass cleaner that does not have abrasive properties and can be completely dissolved (according to instructions)
  - Polish liquid that does not have abrasive properties
3. After cleaning, rinse off all of the cleaning agent with clean water and wipe dry with a soft cotton



For customer support or assistance with product installation, please feel free to contact us:

Email: [support@rainly.io](mailto:support@rainly.io)

Our dedicated support team is available to assist you and provide the best customer service experience. Please don't hesitate to reach out if you have any questions or encounter any issues.