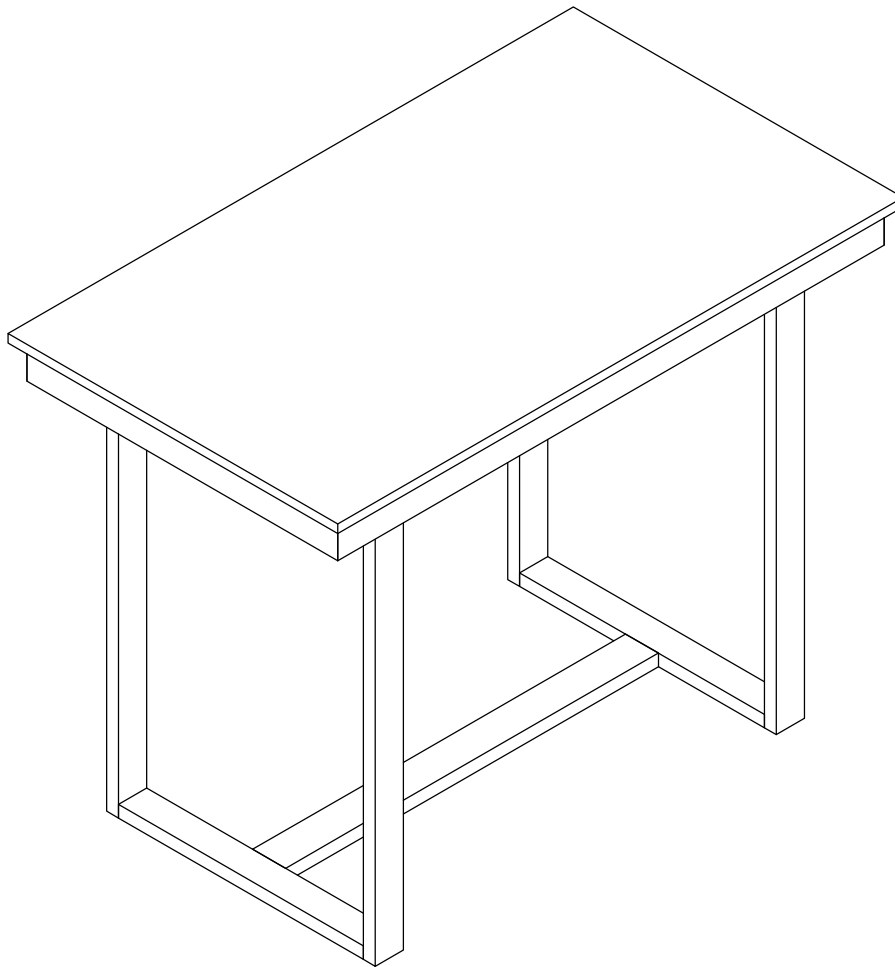


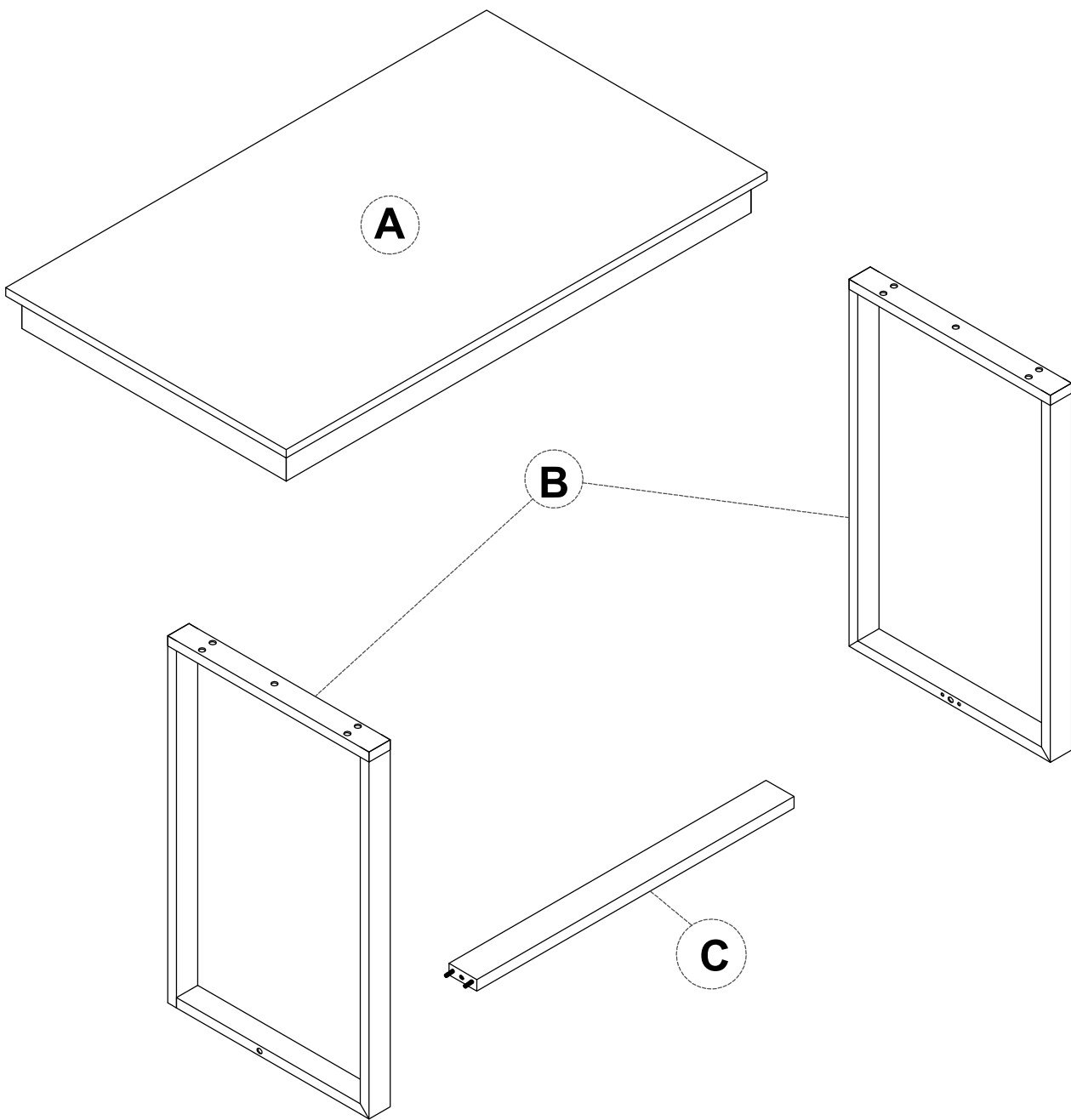
ASSEMBLY INSTRUCCIONES

DINING TABLE



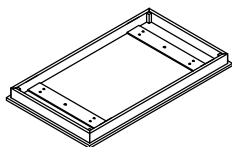



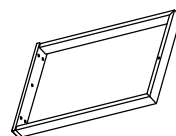
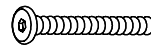




IMPORTANT NOTE:

- ① PLACE ALL PARTS ON A CLEAN AND SMOOTH SURFACE SUCH AS A RUG OR CARPET TO AVOID THE PARTS FROM BEING SCRATCHED.
- ② BEFORE YOU BEGIN, KINDLY FOLLOW THE ASSEMBLY INSTRUCTIONS STEP BY STEP.
- ③ DO NOT TIGHTEN ALL SCREWS AND BOLTS UNTIL THE TABLE IS FULLY SET-UP

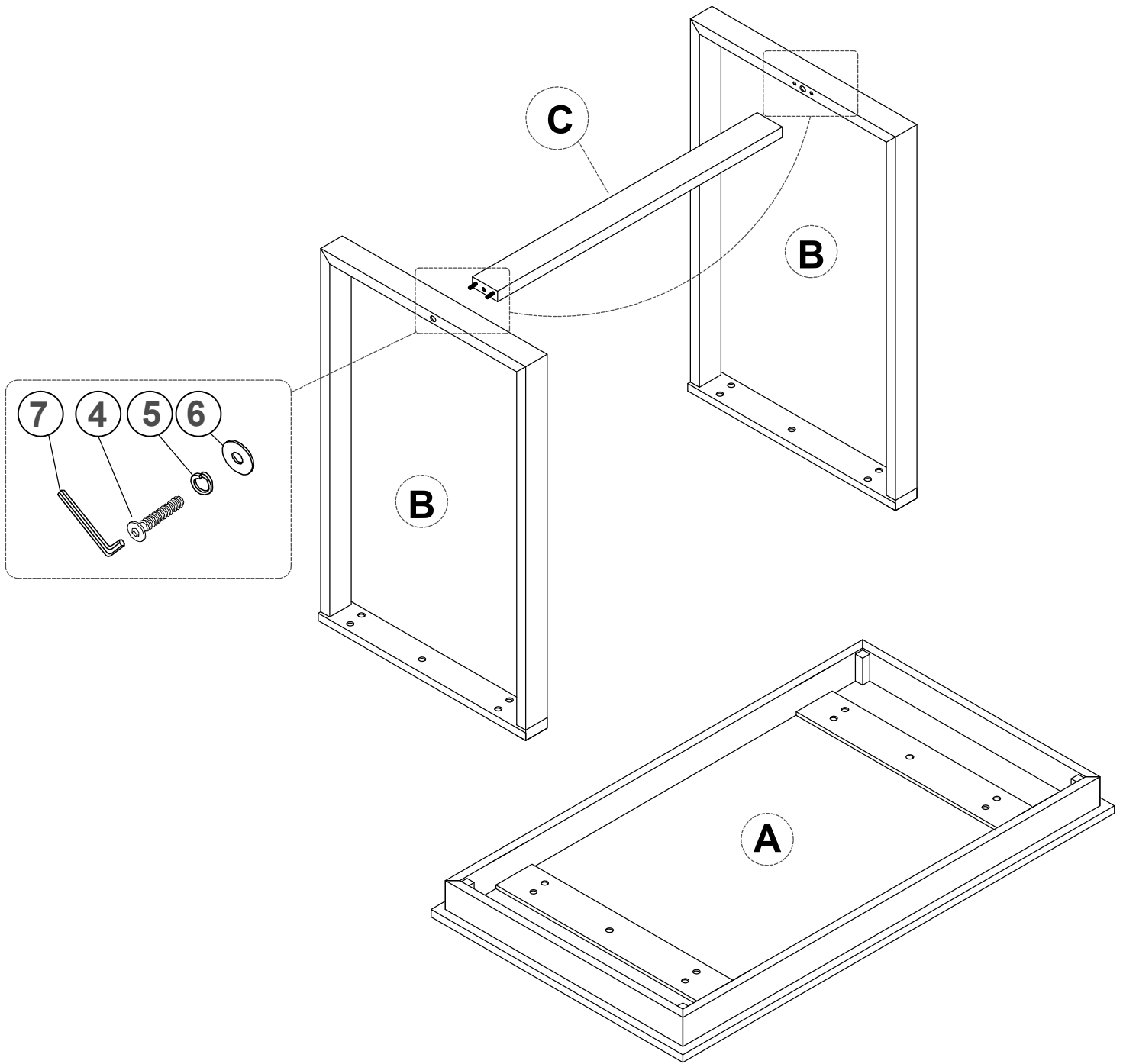


Part List For One

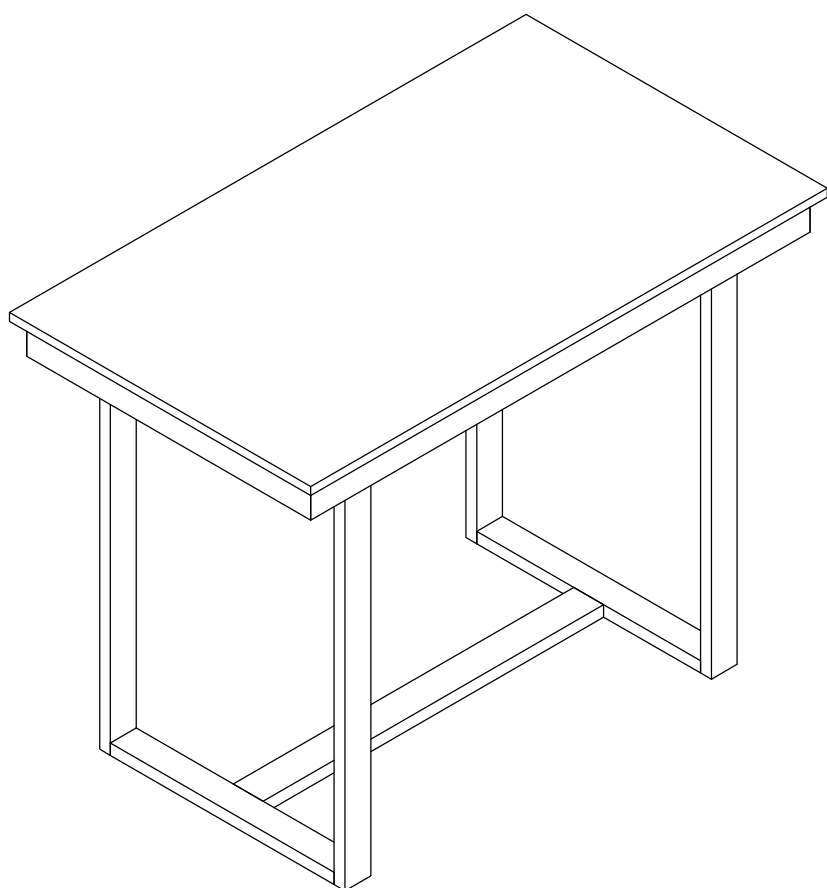
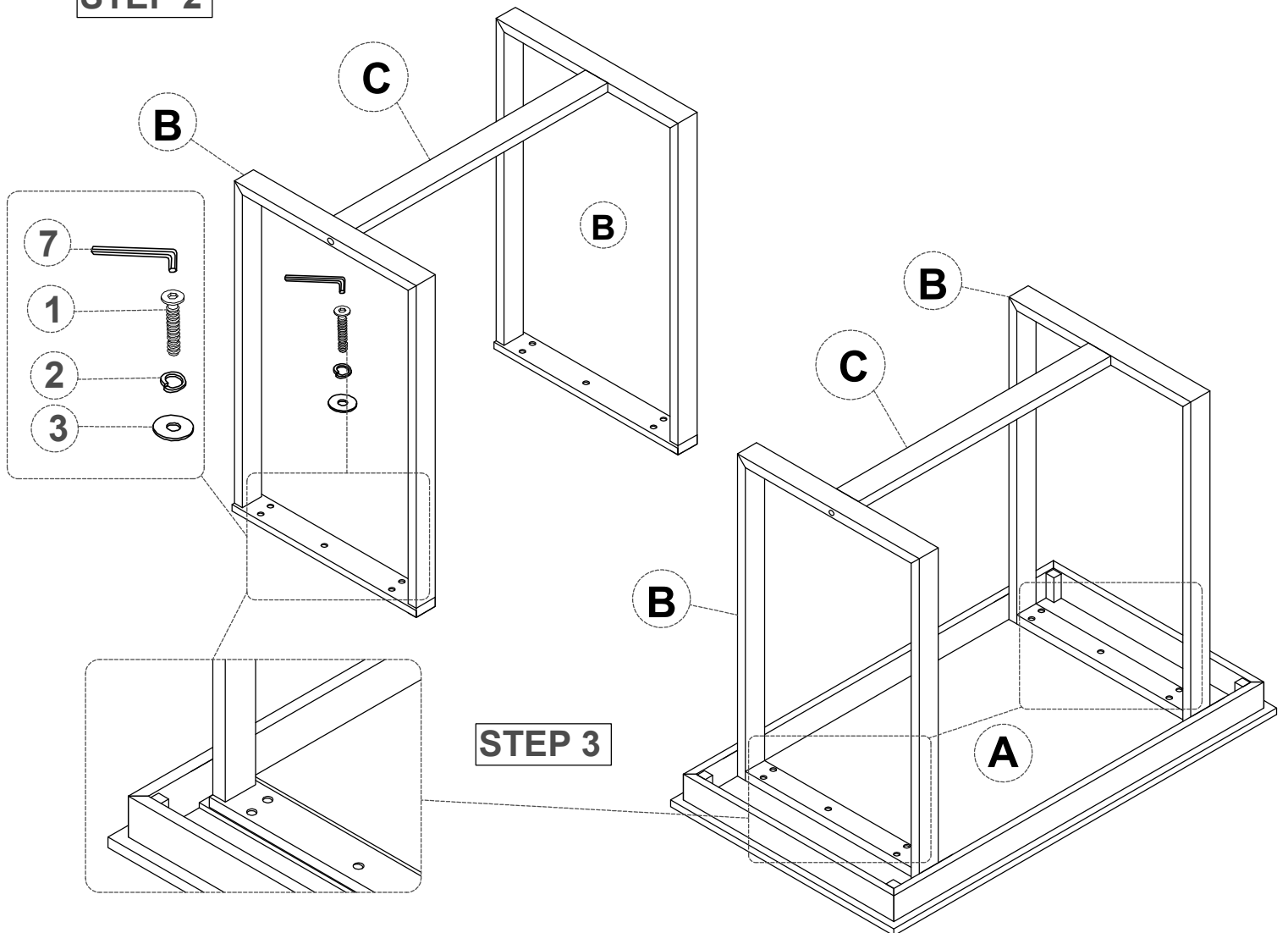
Hardware List For One

No	Parts Desc.	Q'ty	No	Hardware Desc.	Q'ty
A	TOP PANEL 	1pcs	1	Bolts 5/16"* 50mm 	10pcs
			2	Spring Washer 5/16"* 13mm x 1.5mm 	10pcs
			3	Flat Washer 5/16"* 19mm x 1.5mm 	10pcs
B	SEAT FRAME 	2pcs	4	Bolts 1/4"* 80mm 	2pcs
			5	Spring Washer 1/4"* 13mm x 1.5mm 	2pcs
C	FRONT LEGS 	1pcs	6	Flat Washer 1/4"* 19mm x 1.5mm 	2pcs
			7	Allen Key 4mm*60mm 	1pcs

STEP 1

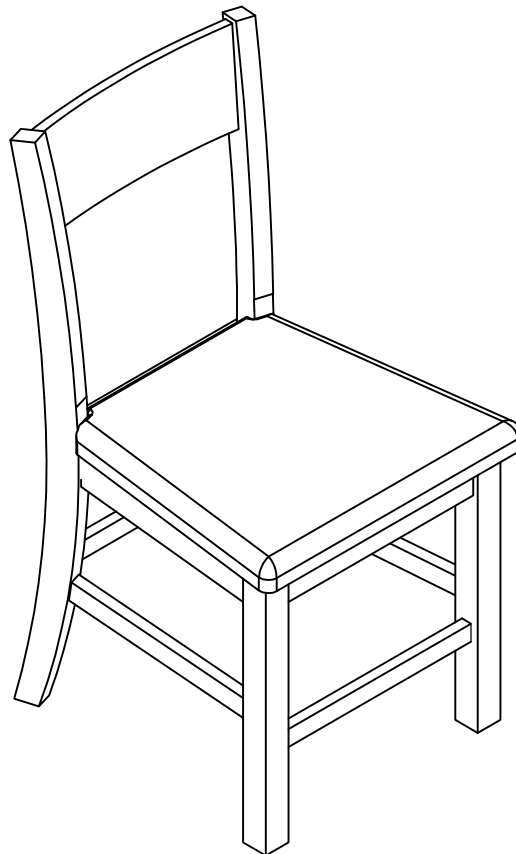


STEP 2



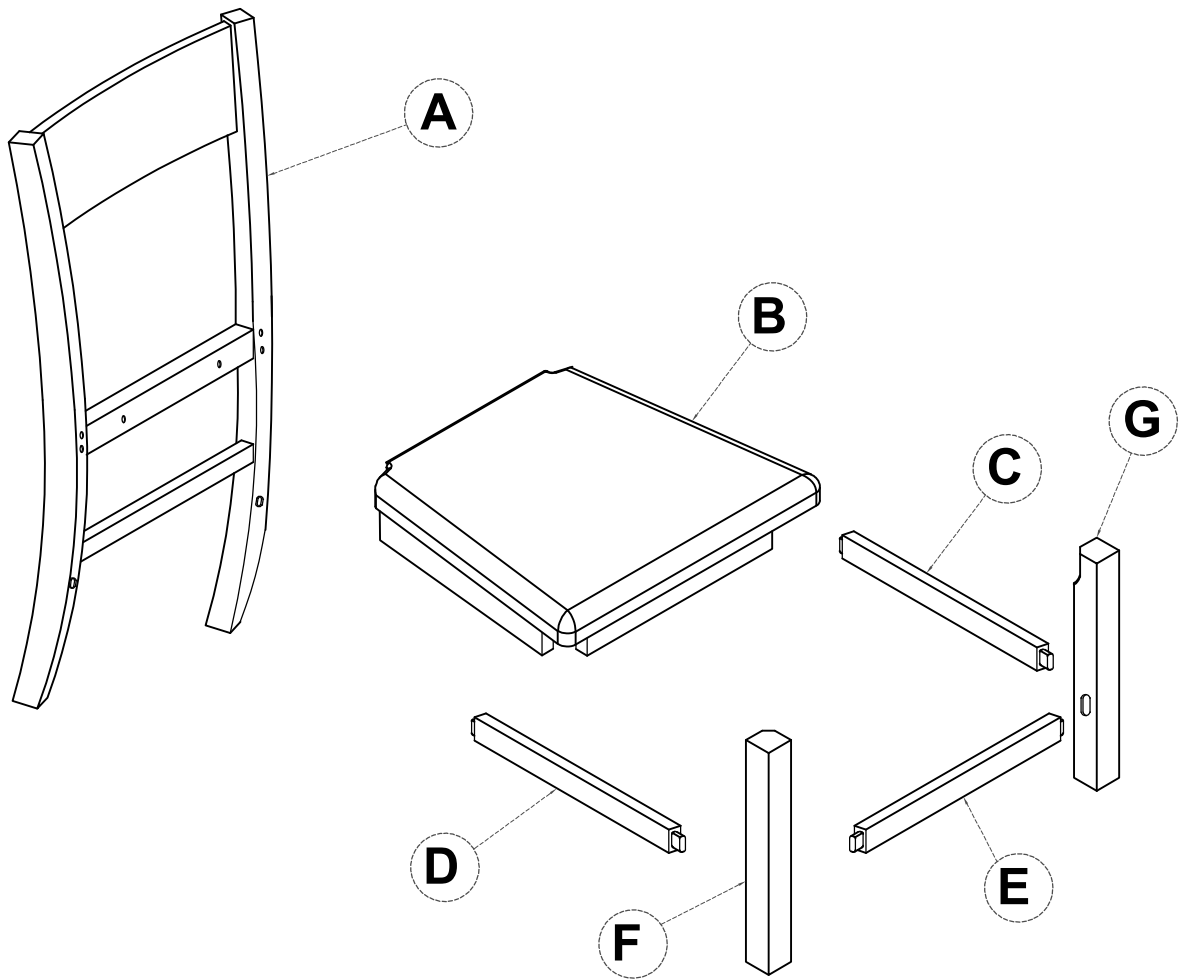
ASSEMBLY INSTRUCCIONES

DINING CHAIR



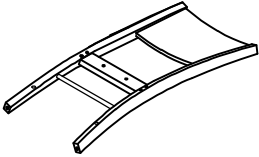
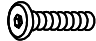
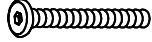





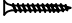


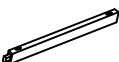
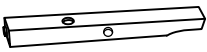
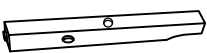
IMPORTANT NOTE:

- ① PLACE ALL PARTS ON A CLEAN AND SMOOTH SURFACE SUCH AS A RUG OR CARPET TO AVOID THE PARTS FROM BEING SCRATCHED.
- ② BEFORE YOU BEGIN, KINDLY FOLLOW THE ASSEMBLY INSTRUCTIONS STEP BY STEP.
- ③ DO NOT TIGHEN ALL SCREWS AND BOLTS UNTIL THE CHAIR IS FULLY STEP-UP

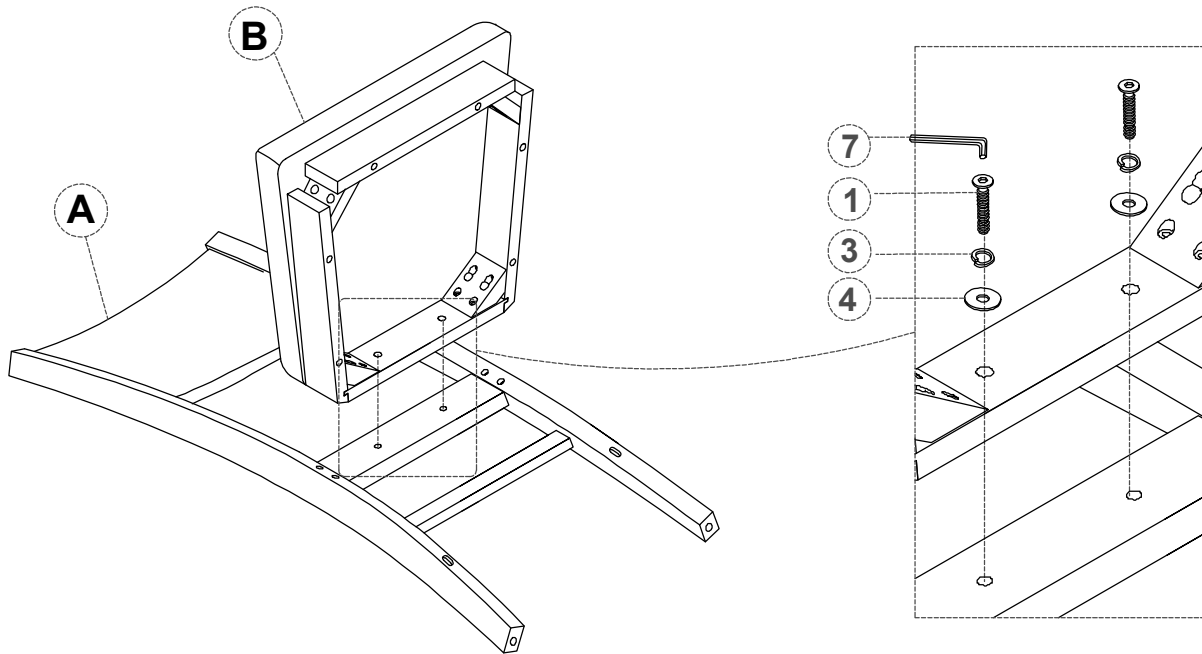


Part List For One

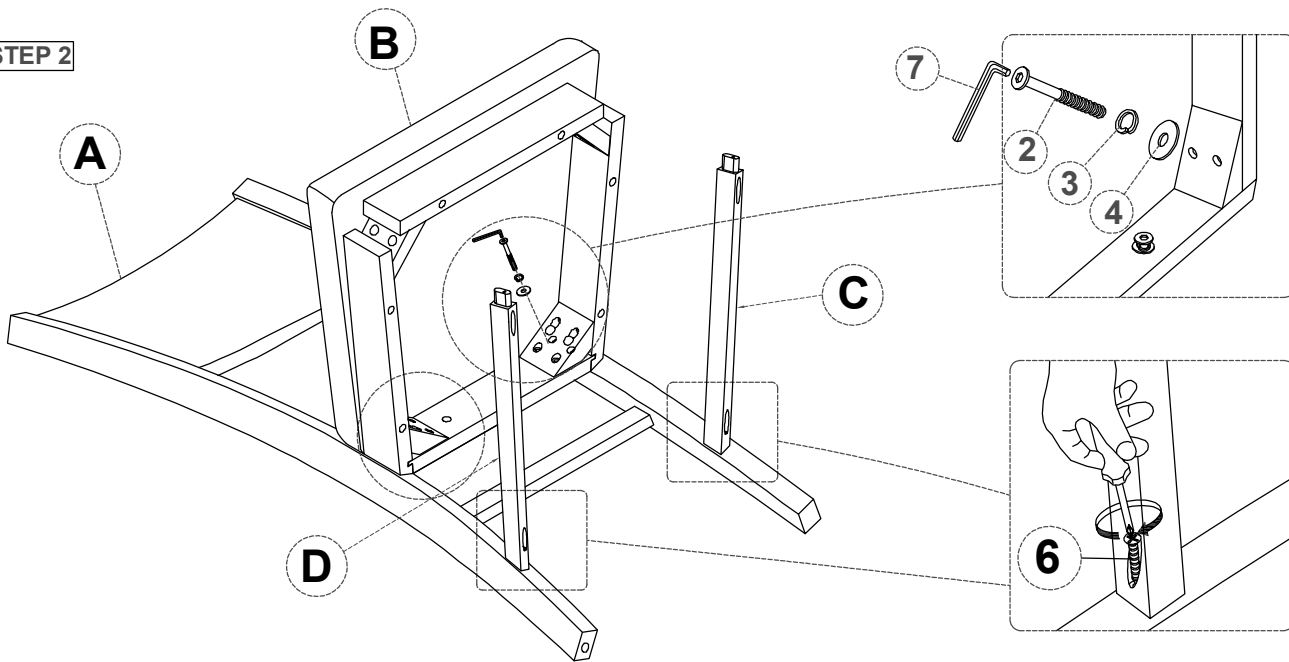
Hardware List For One

No	Parts Desc.	Q'ty	No	Hardware Desc.	Q'ty
A	BACK FRAME 	1pcs	1	Bolts 1/4" x 35mm 	2pcs
			2	Bolts 1/4" x 75mm 	4pcs
			3	Spring Washer 1/4" x 13mm x 1.5mm 	10pcs
B	SEAT FRAME 	1pcs	4	Flat Washer 1/4" x 19mm x 1.5mm 	10pcs
			5	Bolts 1/4" x 55mm 	4pcs
C	RIGHT STRETCHER 	1pcs	6	Screws 4 x 38mm 	6pcs
D	LEFT STRETCHER 	1pcs	7	Allen Key 4mm x 60mm 	1pcs
E	FRONT STRETCHER 	1pcs			
F	FRONT LEGS (LEFT) 	1pcs			
G	FRONT LEGS (RIGHT) 	1pcs			

STEP 1



STEP 2



STEP 3

