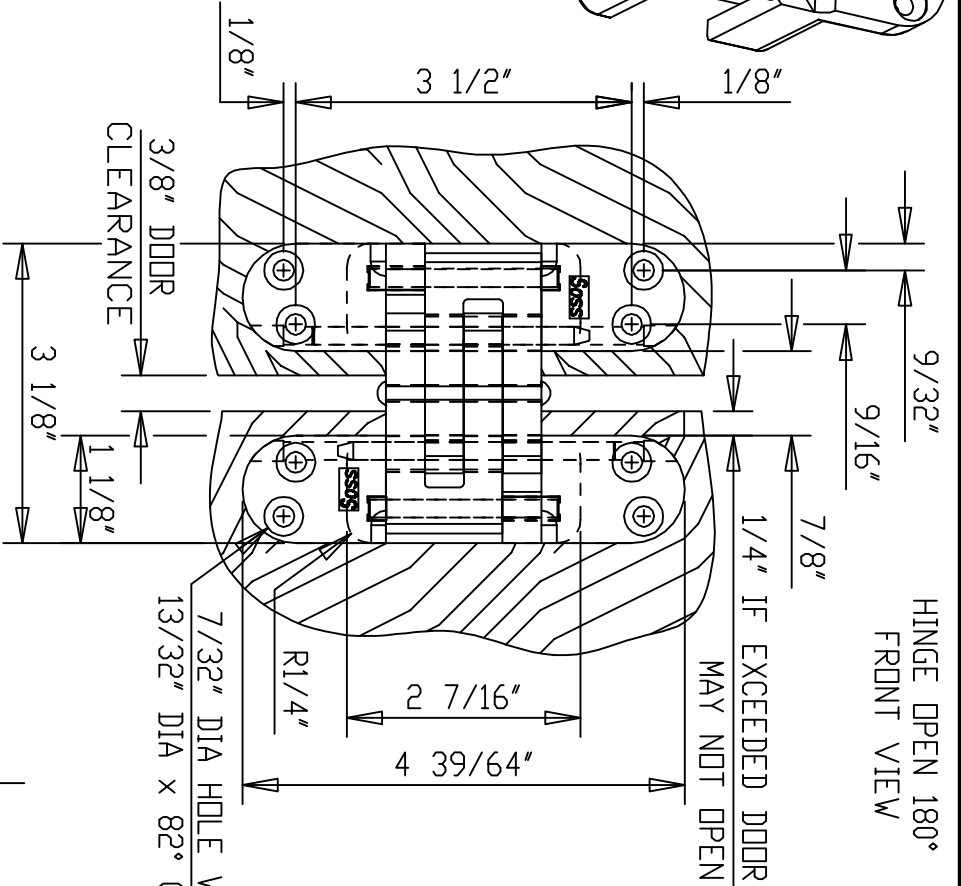


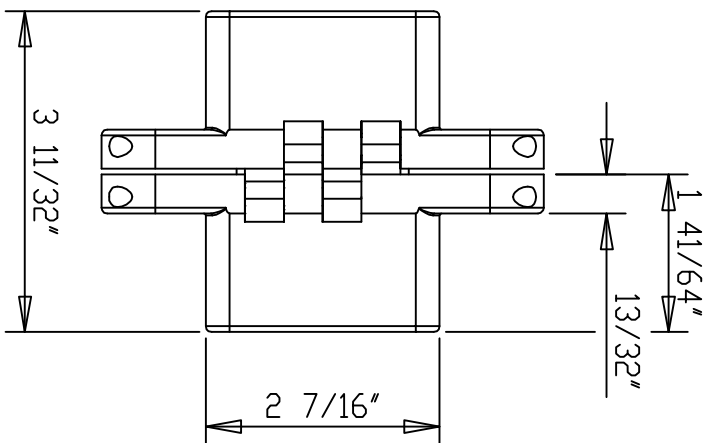
HINGE OPEN 180°
ISOMETRIC VIEW



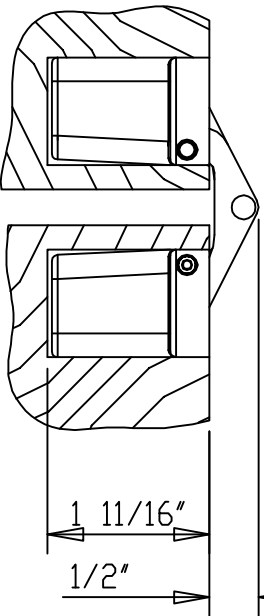
HINGE OPEN 180°
FRONT VIEW

7/32" DIA HOLE WITH
13/32" DIA x 82° C/SINK

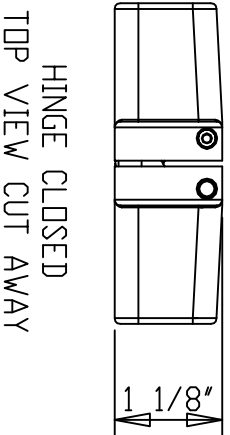
HINGE CLOSED
FRONT VIEW CUT AWAY



- SUPPLIED:
WOOD SCREW
#10 x 2-1/2"
SPECIAL ORDER:
MACH. SCREW
#10-24 x 3/4"



HINGE OPEN 180°
TOP VIEW CUT AWAY



HINGE CLOSED
TOP VIEW CUT AWAY

MIN. MATERIAL THICKNESS IS 1 3/4"
DO NOT SCALE DRAWING
ALL DIMENSIONS ARE IN INCH
DOOR CLEARANCE REDUCES TO 1/64" WHILE CLOSING
SEE DWG# 4477-C IF ADDING MATERIAL TO DOOR FACE AND/OR FRAME FACE

<p>©Copyright Universal Industrial Products, Inc. One Corey Drive Pioneer, Ohio 43354-0628</p>		SCALE: 1/2 = 1
		DRAWN BY: LHH
HINGE TEMPLATE		DATE: 10/15/18
#218H SOSS HERCULES HINGE		DRAWING # 218H