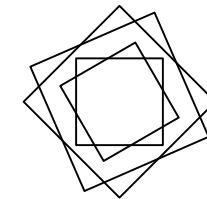
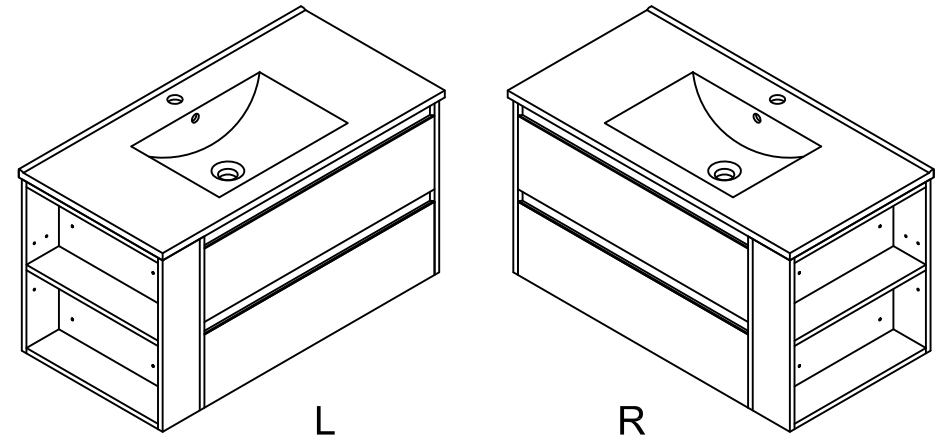


THANKS FOR WATCHING

Your feedback is invaluable to us and we would love to hear about your experience. Please take the time to leave us a review.


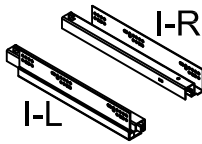
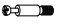













Thank you for shopping with us!

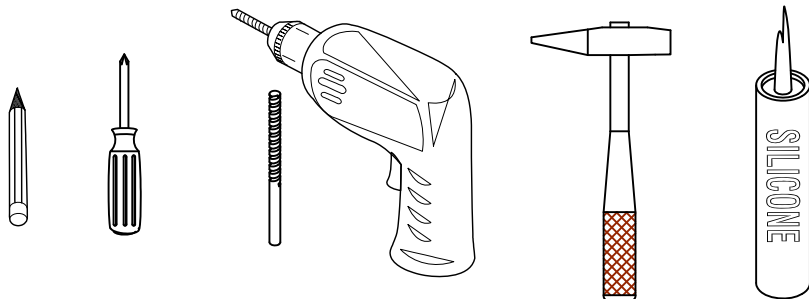
We encourage you to take a few minutes to go through this booklet. It contains important information on installation and care tips to keep your furniture looking as good as new.

Item NO.:BV B05530-1 / BV B05536-1

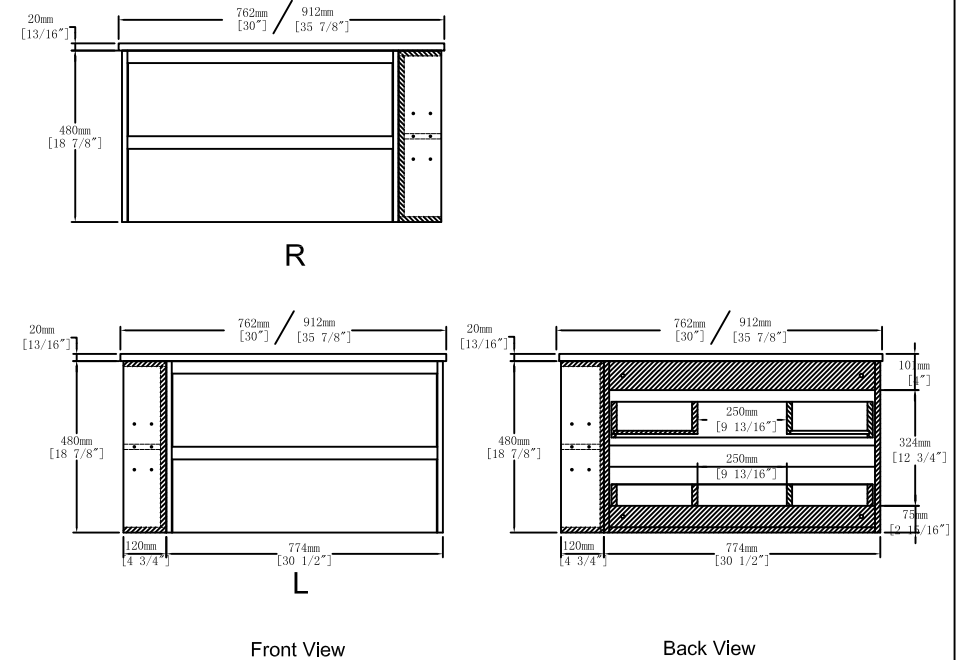
Hardware

NO.	Draw	QTY	NO.	Draw	QTY
A	 Screws Ø4x14mm	40	I	 I-R I-L	2
B	 Two-in-one connector	73	J	 Screws Ø4x25mm	4
C	 Two-in-one connector	73	K	 Screws Ø4x20mm	8
D	 Wood plug	2	L	 Activity layer board accessories	4
E	 Plastic anchor(Ø10mm)	4	M	 Anti-collision gasket	8
F	 Screws for fix on the wall	4	N	 Screwdriver	1
G	 Bracket (53x70x44mm)	2			
H	 Bracket (19x19x35mm)	2			

Recommended tools



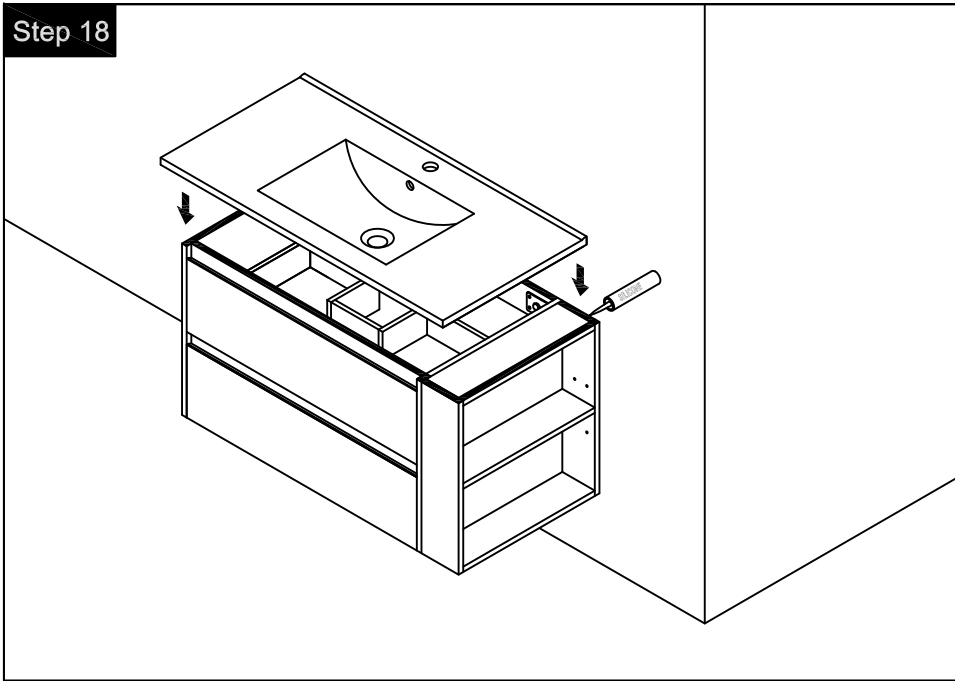
Dimensions



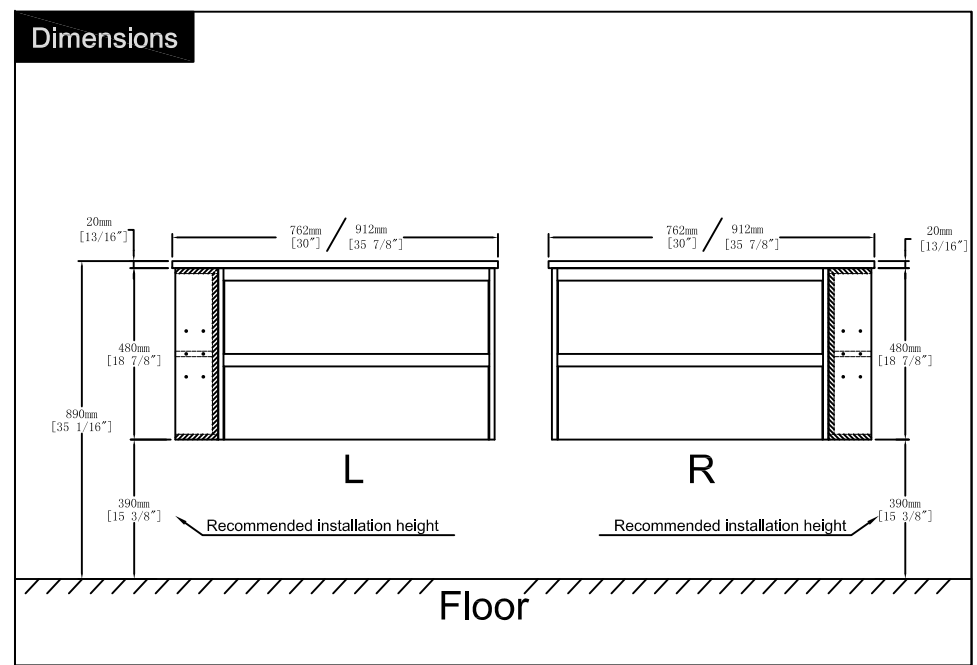
CARE CLEANING AND MAINTENANCE

1. Dust regularly with a soft , dry cloth.
2. Avoid the use of all chemicals household cleaners, abrasives, or cleaners that contain lemon, vinegar, or other acids that may damage the finish.
3. Excessive exposure to sunlight and extreme changes in temperature and moisture can damage wood furniture.
4. The sink is fragile, please pay attention to maintaining its appearance.
5. Do not place hot appliances, such as curling irons and hot hair dryers directly on the countertop. Wipe spills immediately.

Step 18

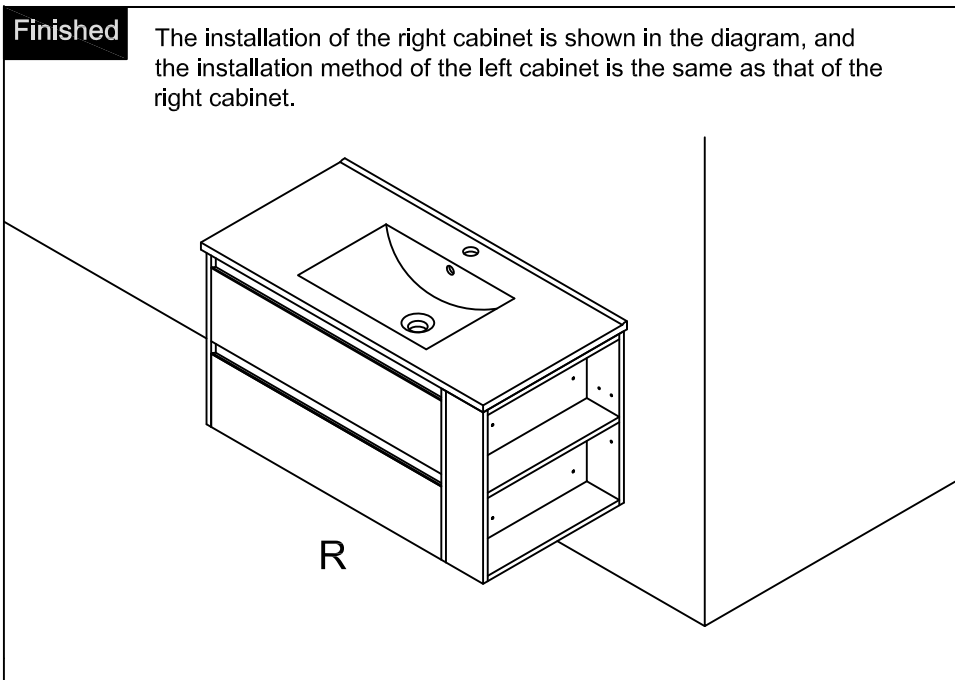


Dimensions

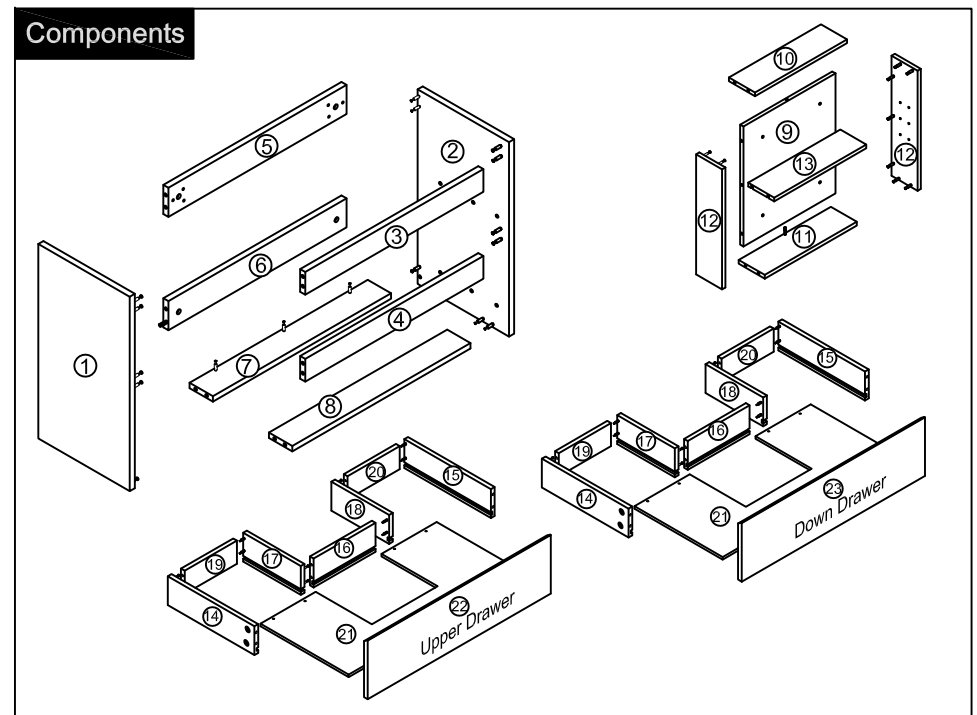


Finished

The installation of the right cabinet is shown in the diagram, and the installation method of the left cabinet is the same as that of the right cabinet.

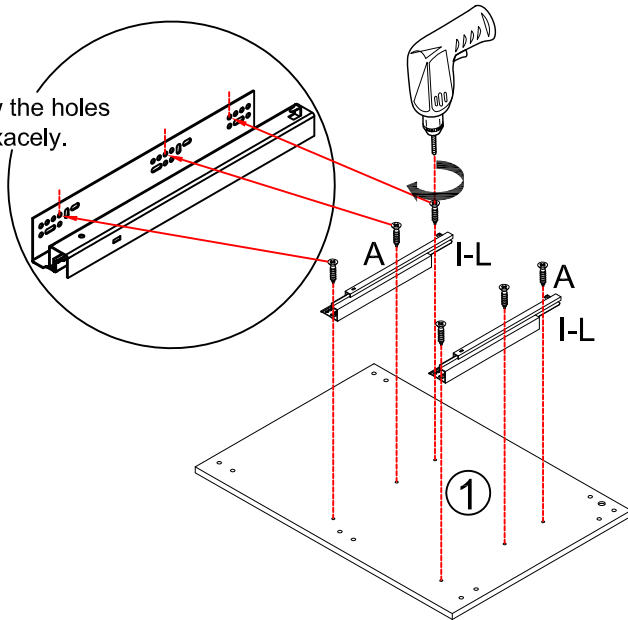


Components

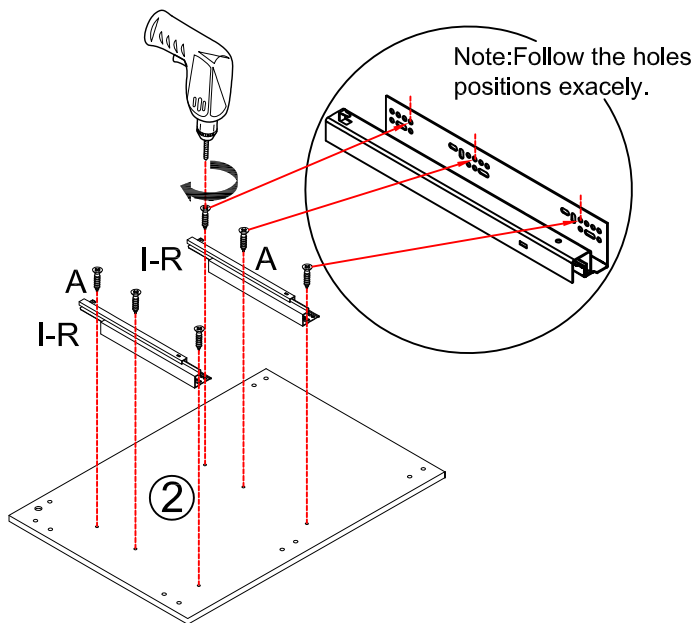


Step 1

Note: Follow the holes positions exactly.



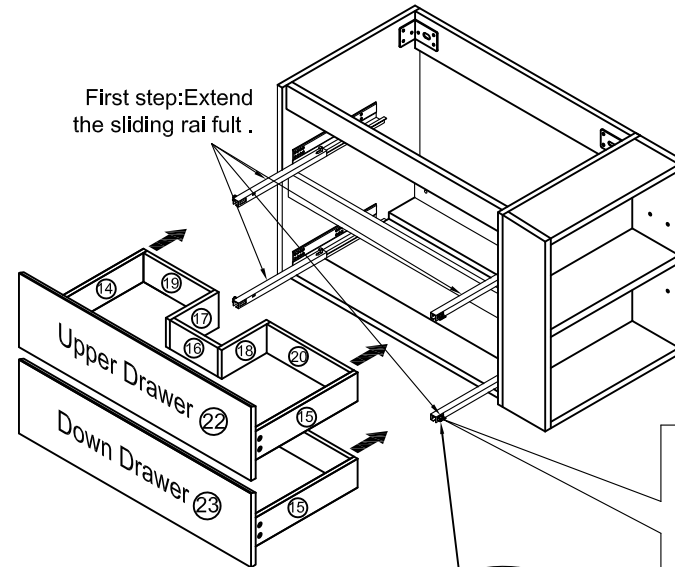
	I-R
	x2
I	(∅4 x 14mm)
	x12
A	
	Tool



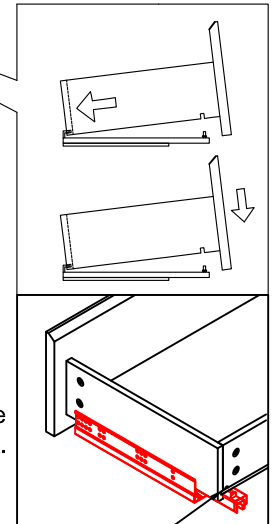
Note: Follow the holes positions exactly.

Step 17

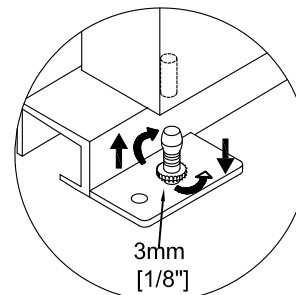
First step: Extend the sliding rail full.



	(∅4 x 14mm)
	x8
A	
	Tool

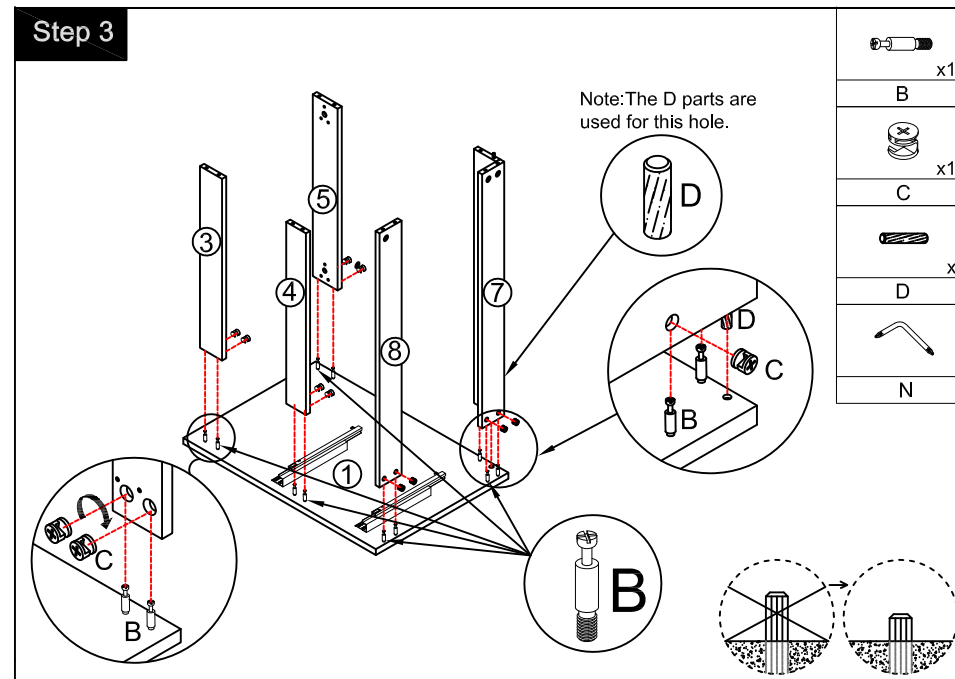
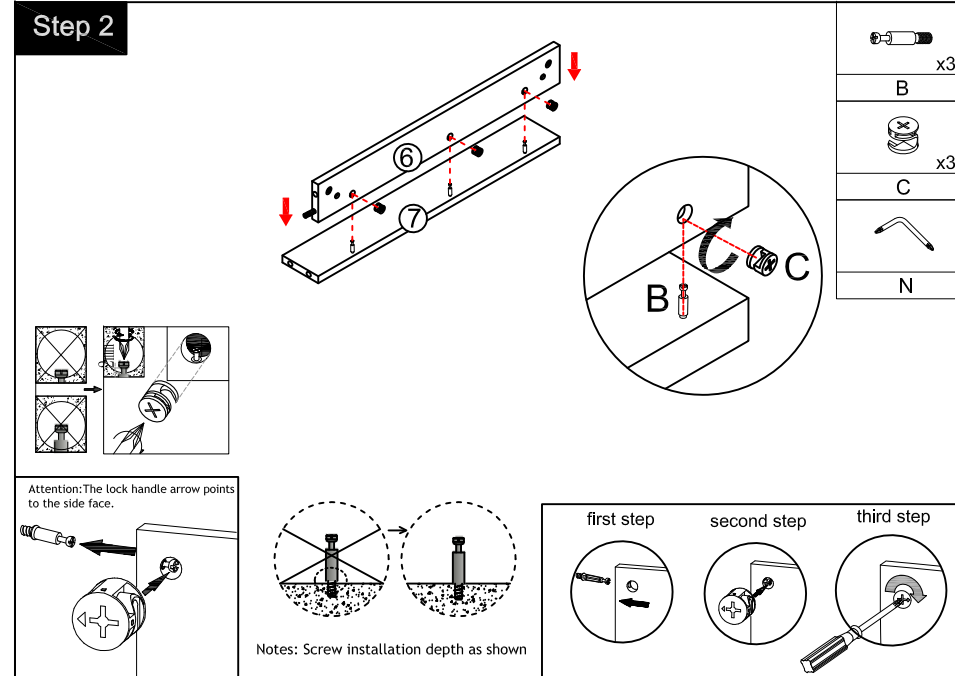
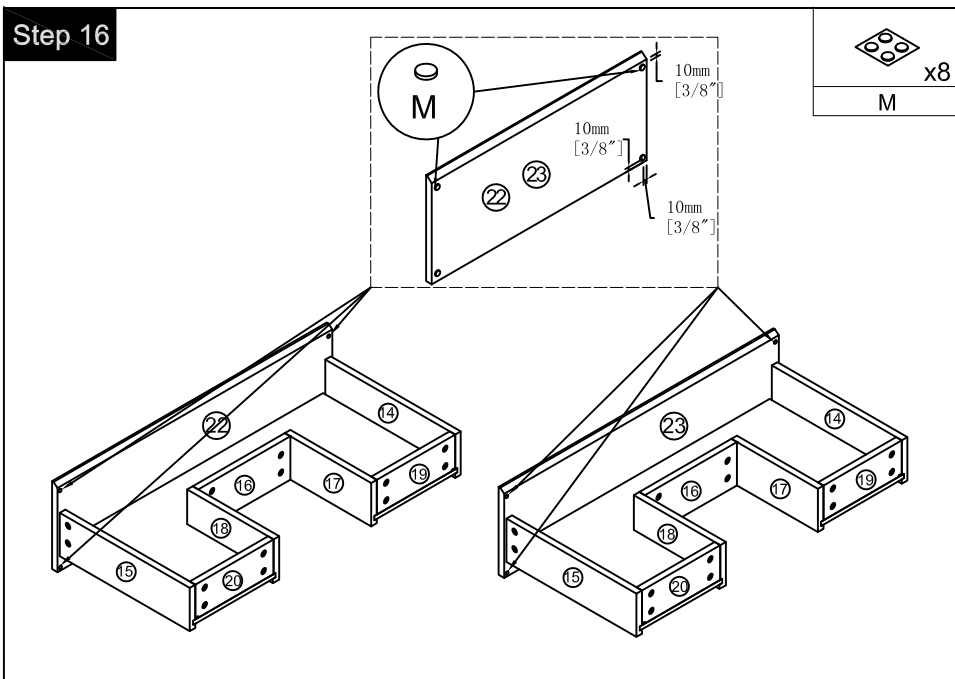
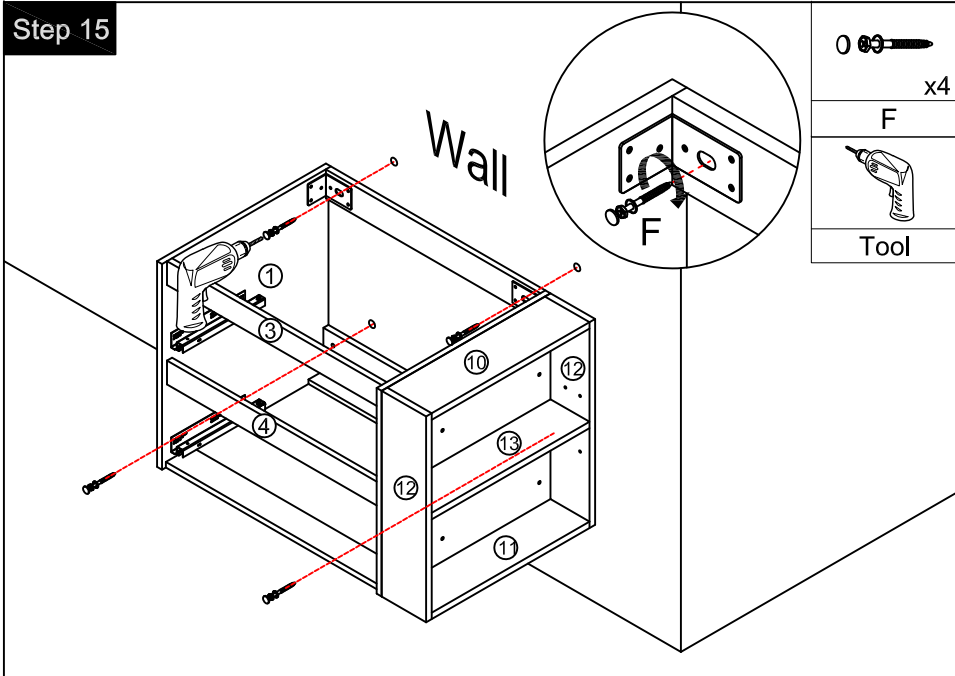


Third step: The bottom of the rail is fixed with screw A.

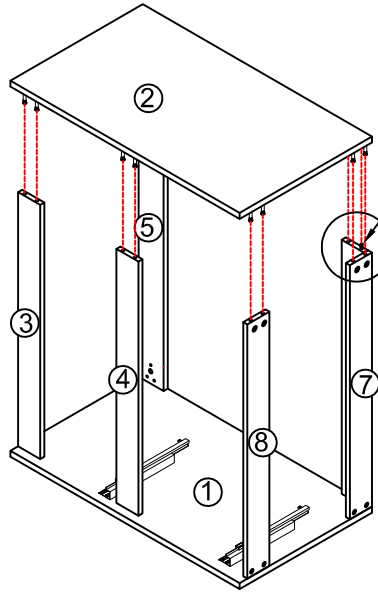


Note: The rails adjust their height 3mm.

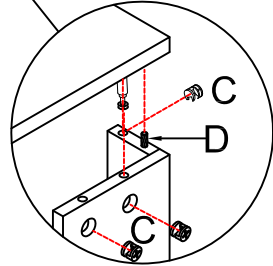
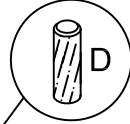
Second step: Tuck the rear holes.

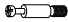





Step 4

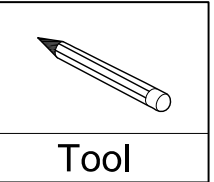
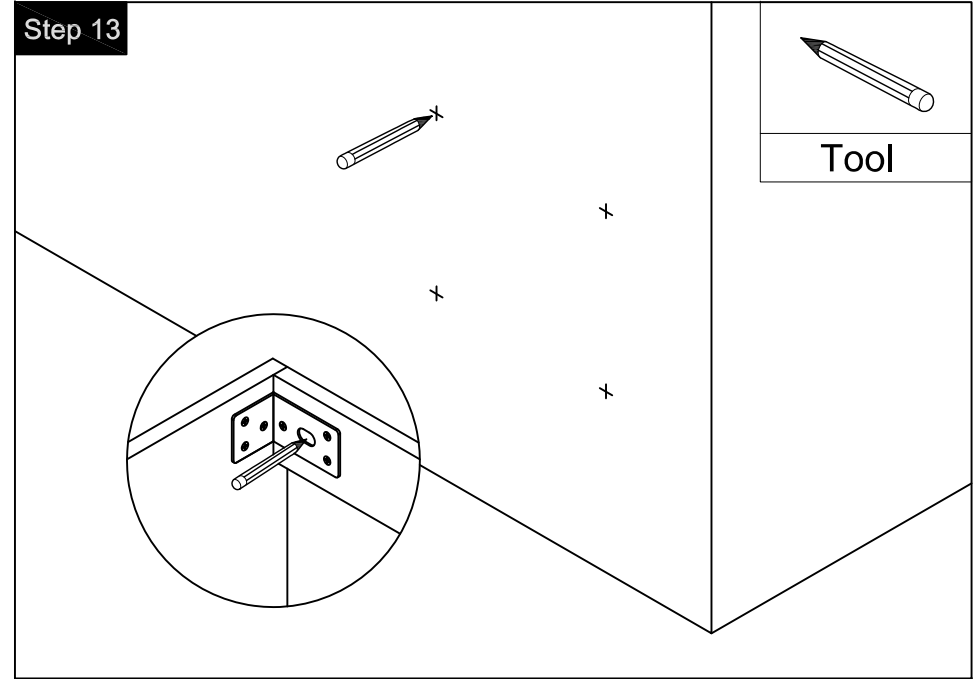


Note: The D parts are used for this hole.



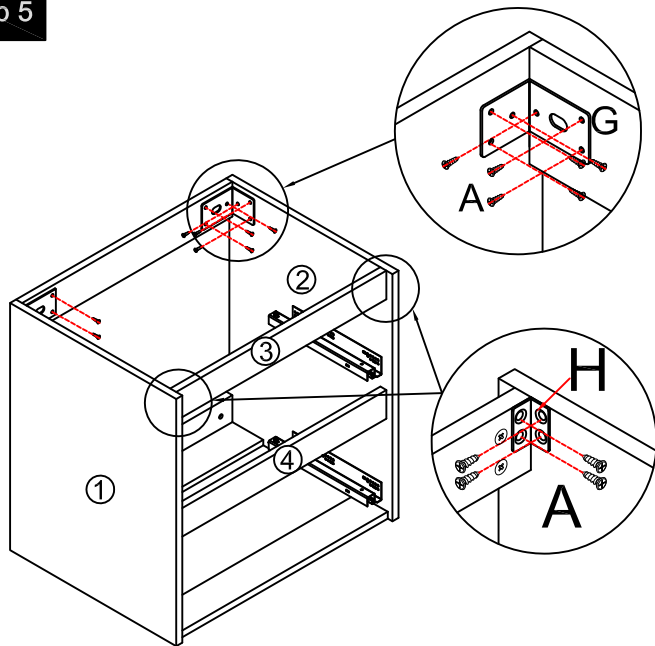
	x11
B	
	x11
C	
	x1
D	
	
N	





Step 13



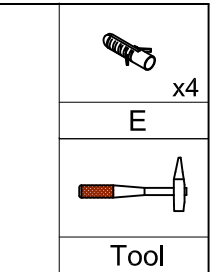
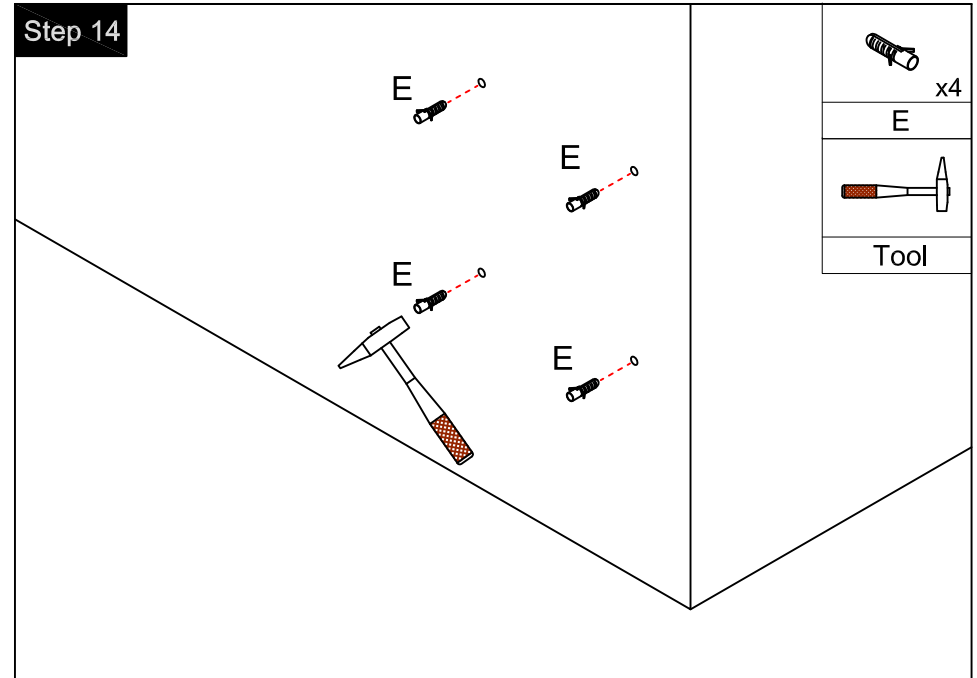
Tool

Step 5



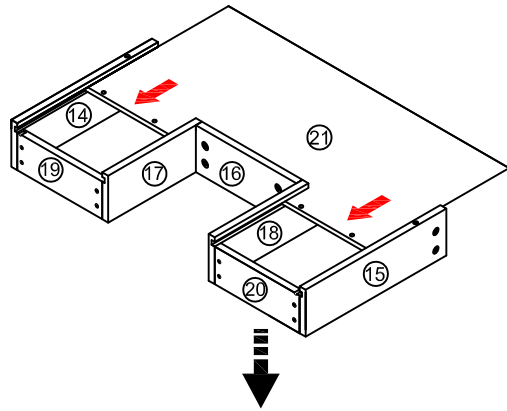
	x2
G	
	x2
H	
($\varnothing 4 \times 14\text{mm}$)	
	x20
A	
	
Tool	

Step 14

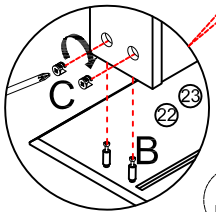
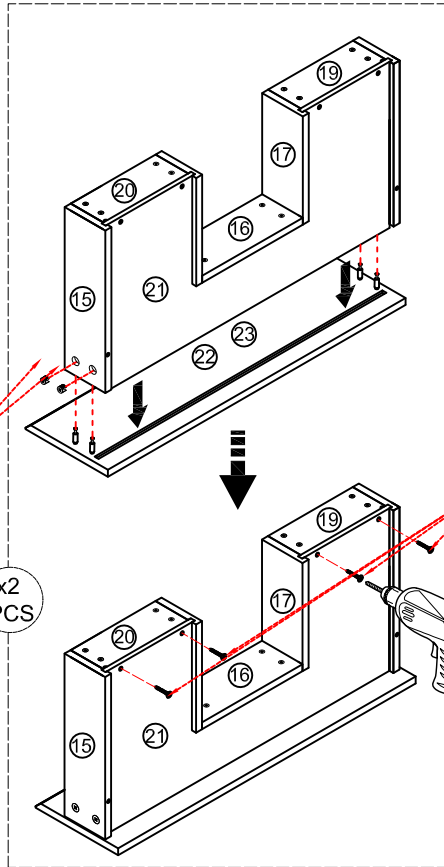


Tool

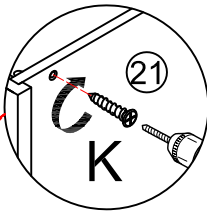
Step 12



	x8
B	
	x8
C	(∅4 x 20mm)
	x8
K	
N	
	Tool

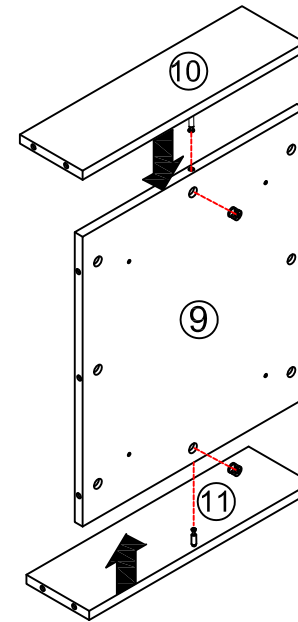


x2 PCS

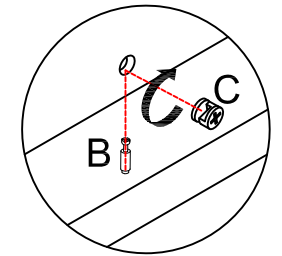


The installation of ②② and ②③ is as above.

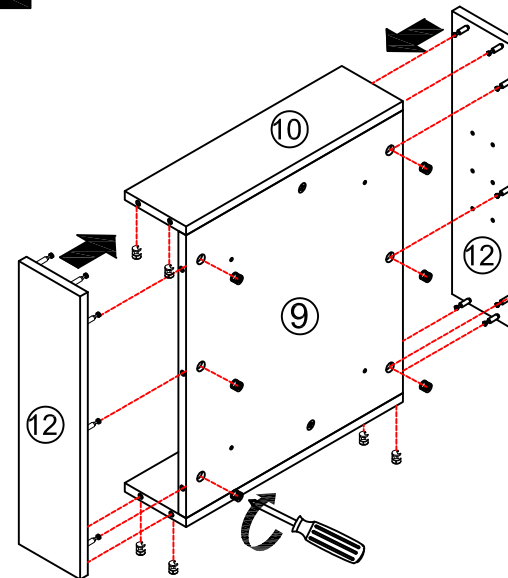
Step 6



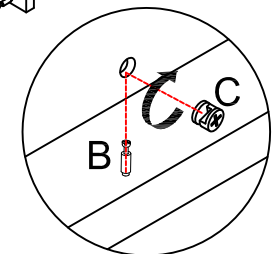
	x2
B	
	x2
C	
N	



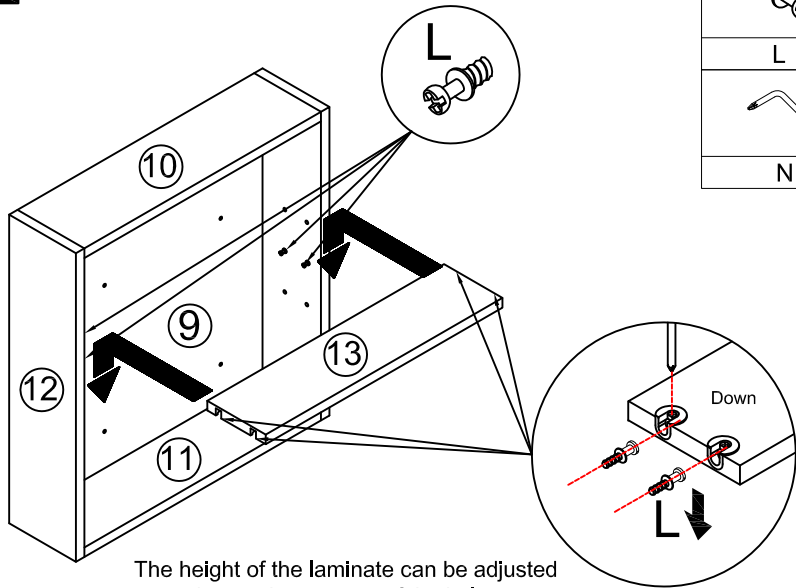
Step 7



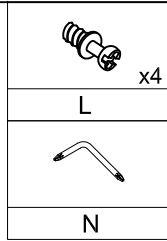
	x14
B	
	x14
C	
N	



Step 8

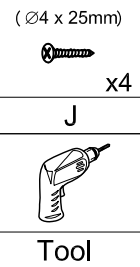
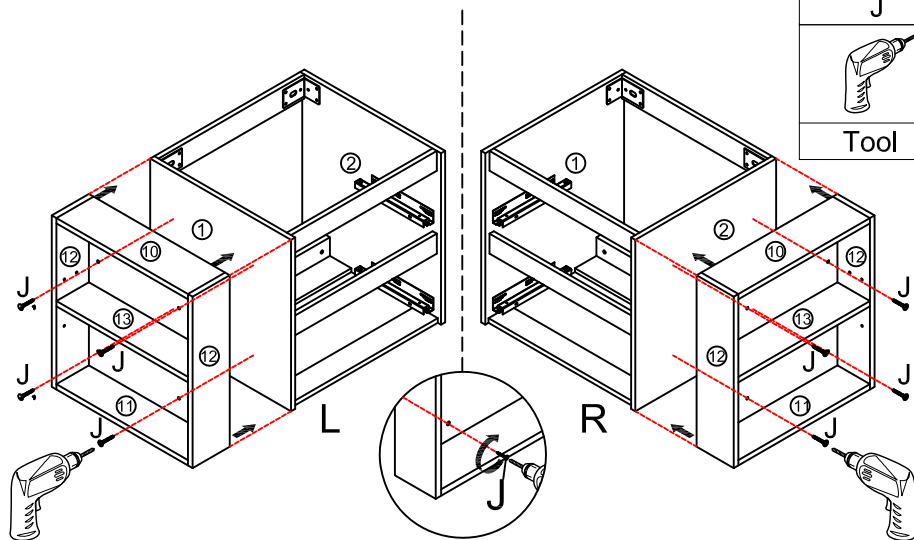


The height of the laminate can be adjusted according to the position of the holes.

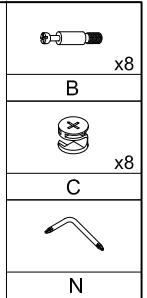
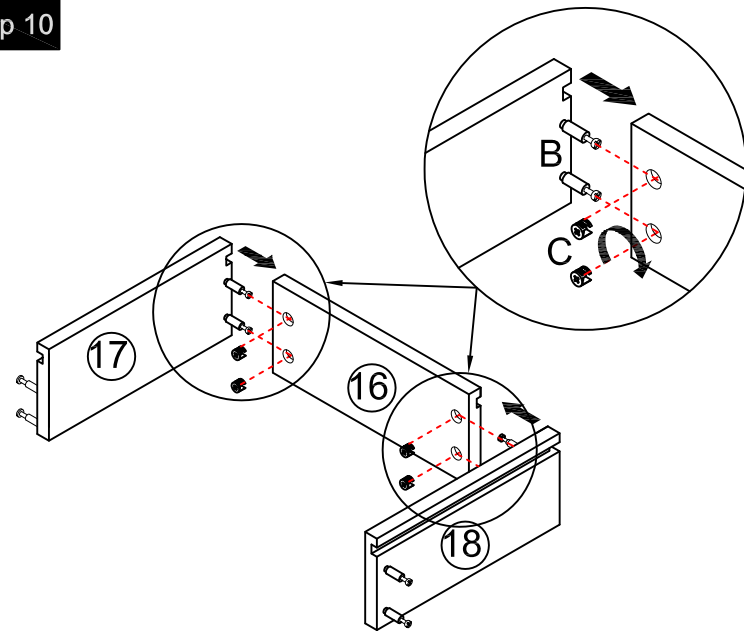


Step 9

The side shelf can be installed on the left or right side according to individual needs.



Step 10



Step 11

