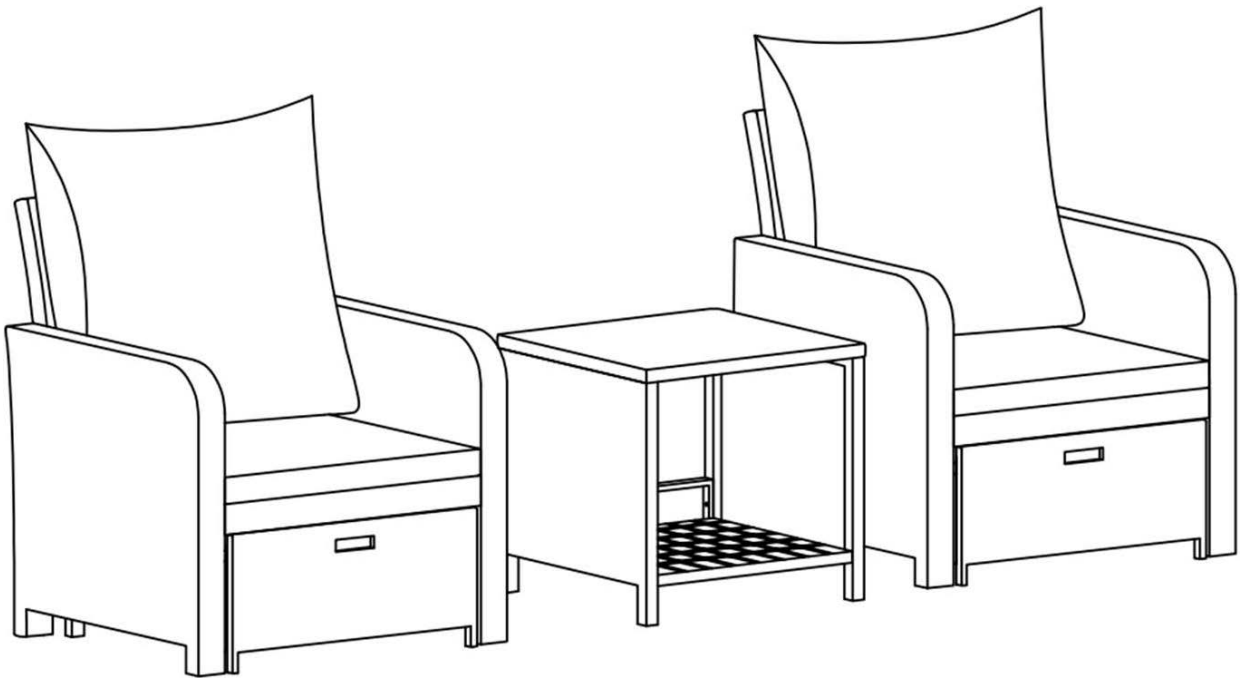
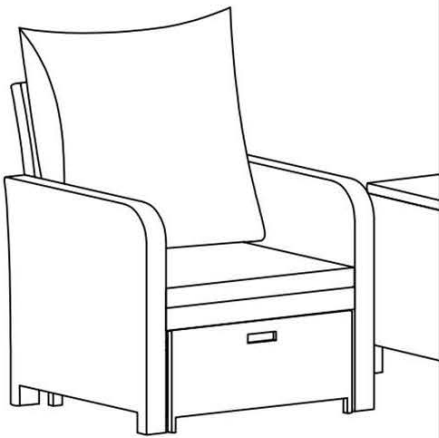


# Owner Manual



# WARRANTY

We strive to offer high quality product and we also try our best to satisfy each customer that order from us, no matter on products or services as needed. Each customer receives a record of their order, such as the order number or item receipt. For any items that are out of warranty period, you may still be able to purchase the replacement parts from our company if they are available.



# MAINTENANCE AND WARNING

Please read the manual thoroughly before you start installing.

Please keep the product away from sharp object.

Packaging and small parts may have choking hazard, please keep them away from children and pets.

Please clean the product according to each clean code, check the product description for more information.

Please keep the product away from fire.

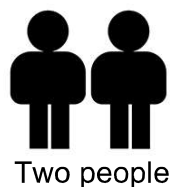
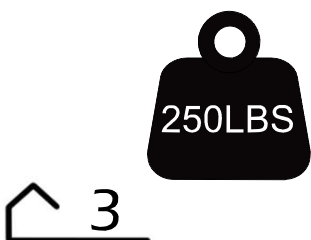
If you have any other questions, please contact us, we will be glad to help you out.

If the product is placed under direct sunlight, the pattern or color might fade away overtime.

Check the product periodically to make sure everything is secured and tightened.

Always use proper tools for installation.

Do not jump on the product.



Around 60 min

# PRODUCT DESCRIPTION

The wrought iron frame ensures superior strength and stability, making it a long lasting addition to any outdoor space.

The PE wicker exterior is designed to withstand sun, rain, and temperature changes without fading or warping.

Each armchair includes a hidden ottoman, allowing for extended relaxation. The thick cushions provide excellent support.

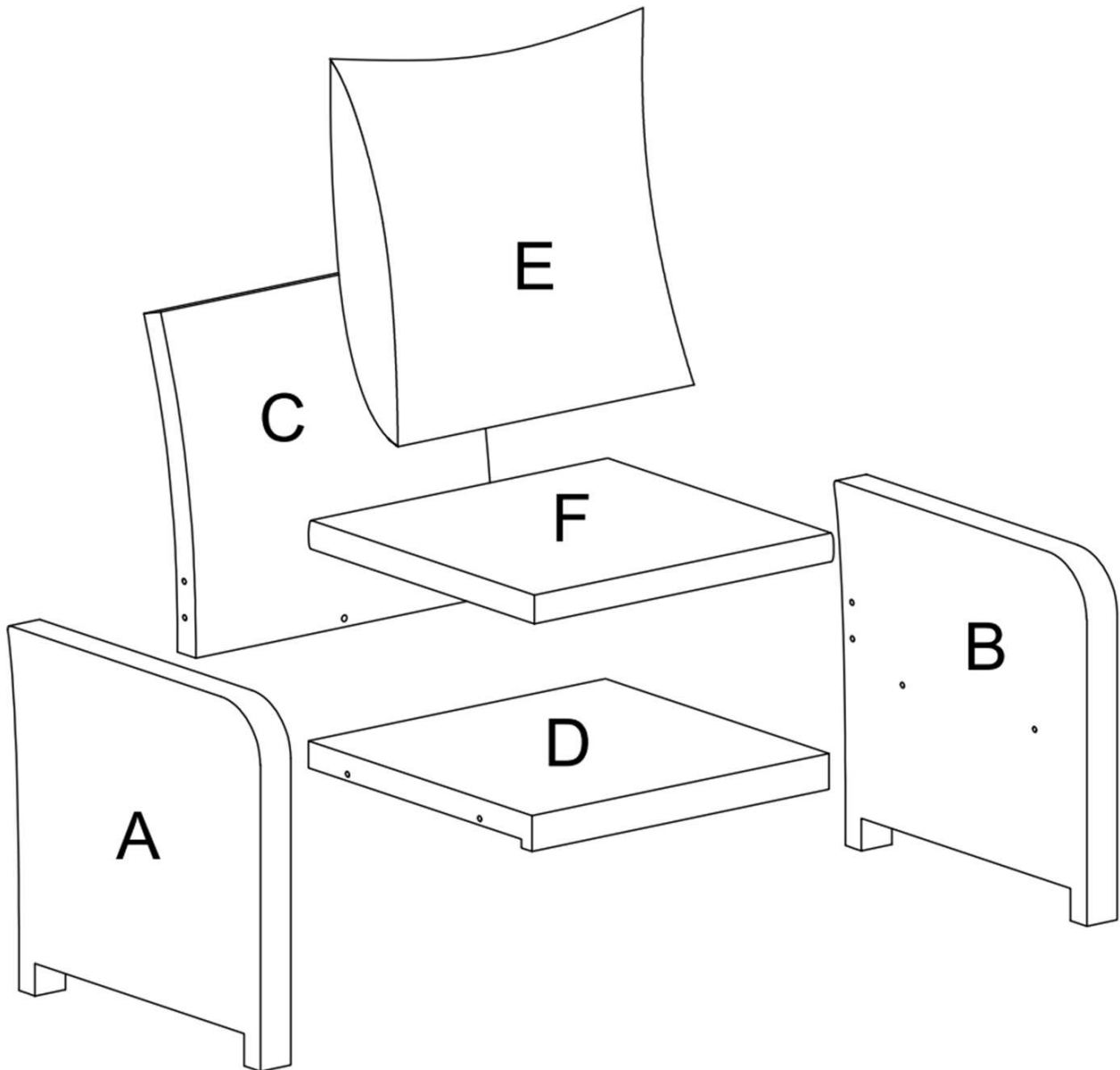
The waterproof cushion covers come with zippers, making them easy to remove and clean for long term freshness.

The hollow wicker design of the table allows for convenient storage, keeping outdoor essentials neatly organized.

# EXPLODED VIEW

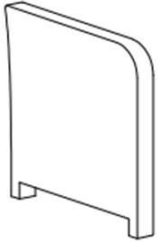


The product's left and right are determined by sitting posture



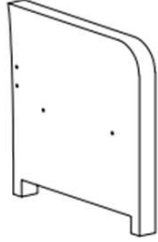
# PARTS

A\*2



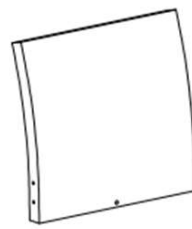
Right armrest

B\*2



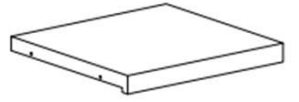
Left armrest

C\*2



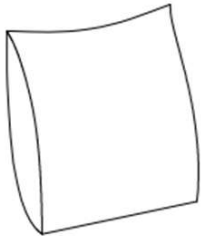
Backrest

D\*2



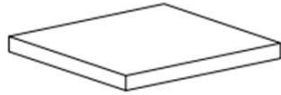
Seat frame

E\*2



Back cushion

F\*2



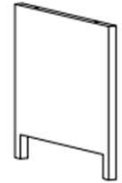
Seat cushion  
for chair

G\*1



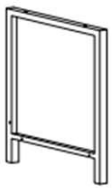
Table Frame

H\*1



Right table  
legs

N\*1



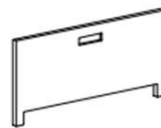
Left table  
legs

I\*1



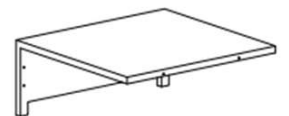
Storage Plate

J\*2



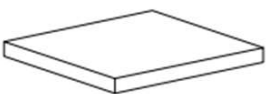
Front Panel

K\*2



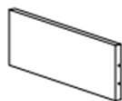
Top part

L\*2



Seat cushion  
for ottoman

M\*4



Side Panel

# HARDWARE

## TOOL LIST

NOTE: Designated with (★) We provide additional spare parts in the hardware package

①\*48



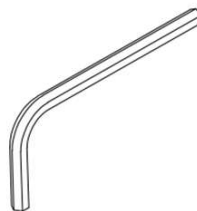
★ Bolt  
M6\*35mm

②\*48



★ Flat washer  
M6\*35mm

③\*1

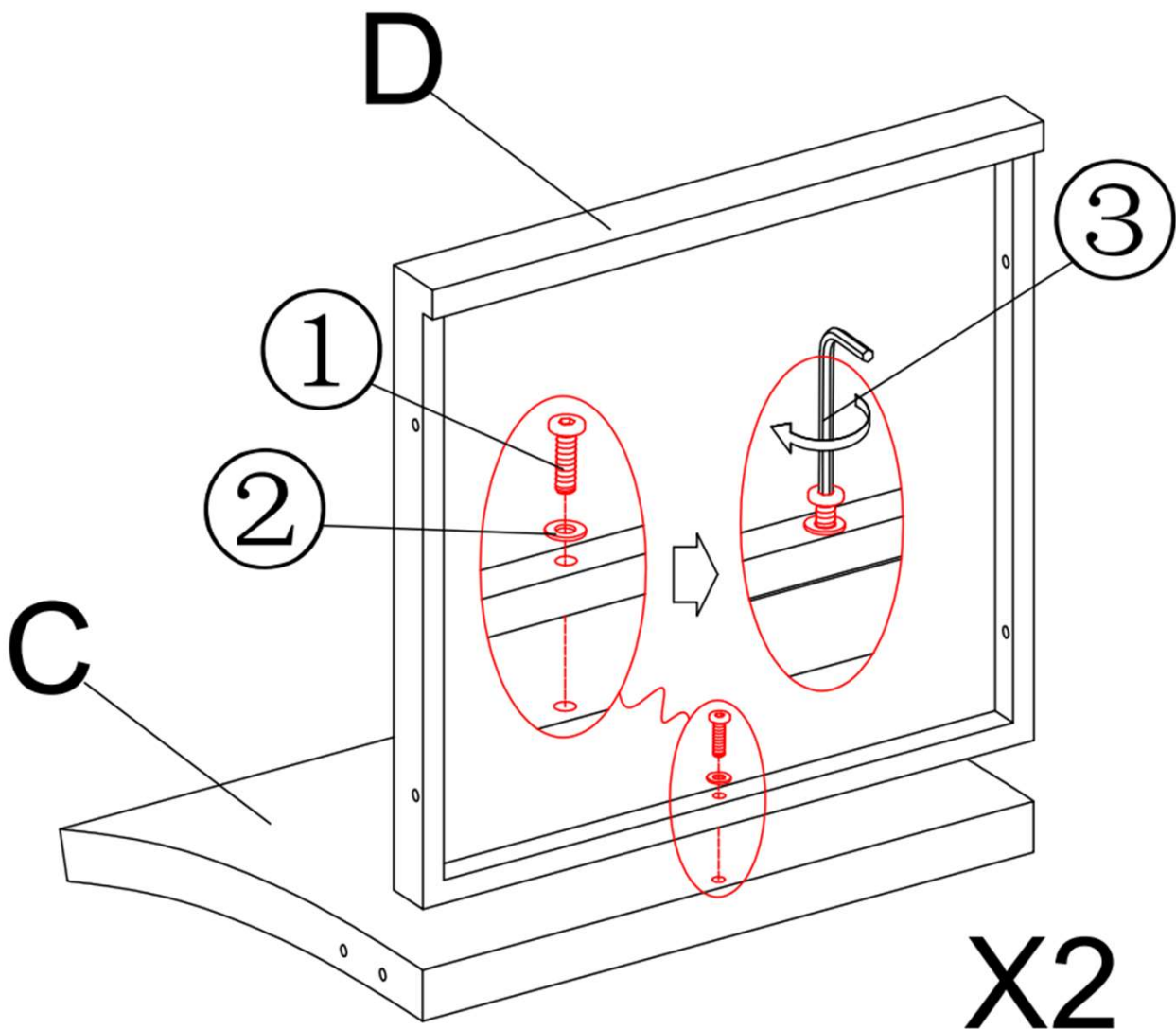





Allen wrench

Please make sure all hardware&packing material fitting the list. Especially some small accessories may be missing during transportation. Please contact us if you have any question.

# step 1

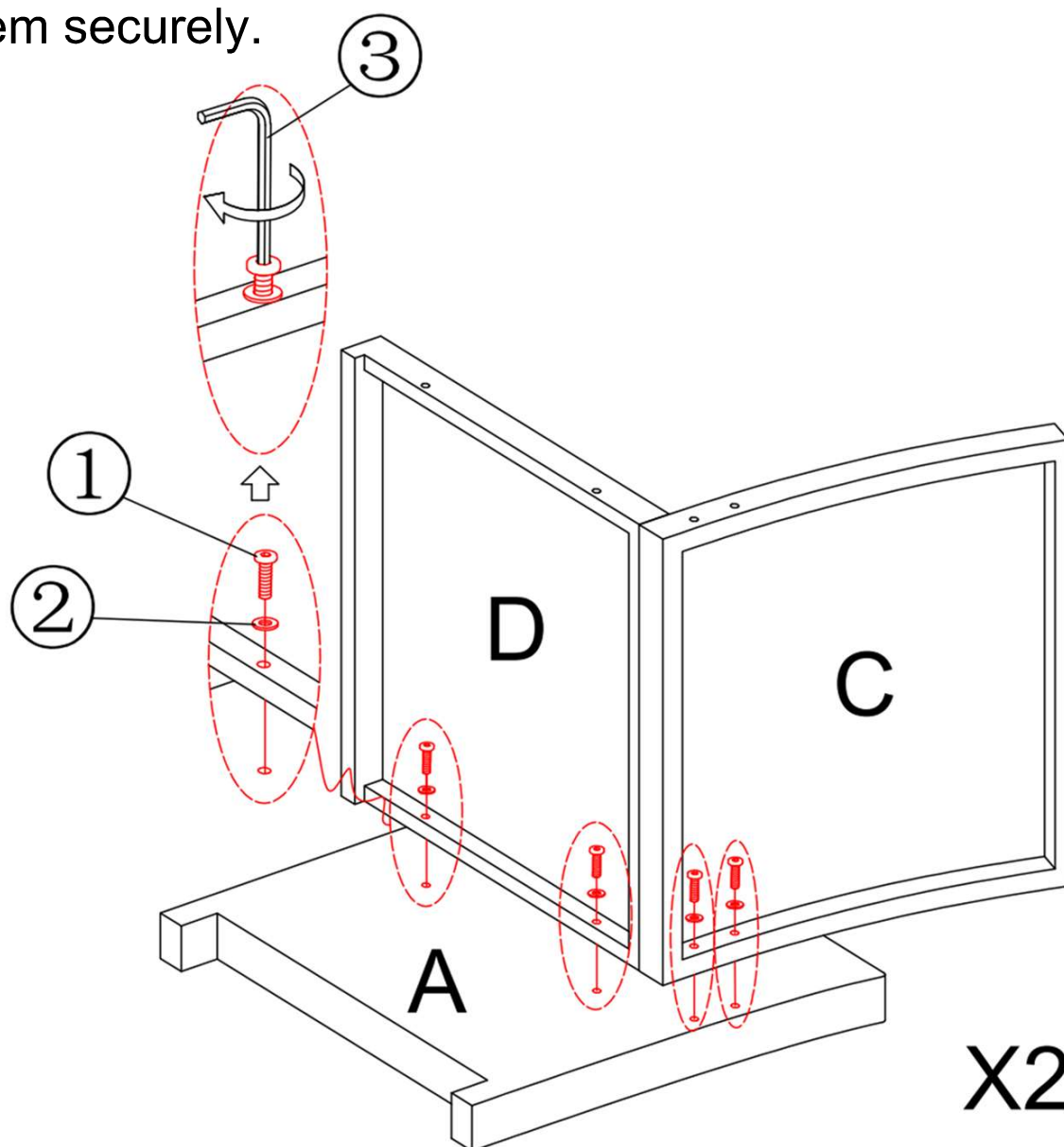
Align the Backrest (C) with the Seat frame (D) so that the pre-drilled holes match. Place one Flat Washer (2) onto each bolt (1). Insert the bolts through the holes in the backrest into the corresponding holes in the seat. Use the provided Allen Wrench (3) to securely tighten the screws.






①*2	②*2	③*1
		
Bolt	Flat washer	Allen key

# step 2

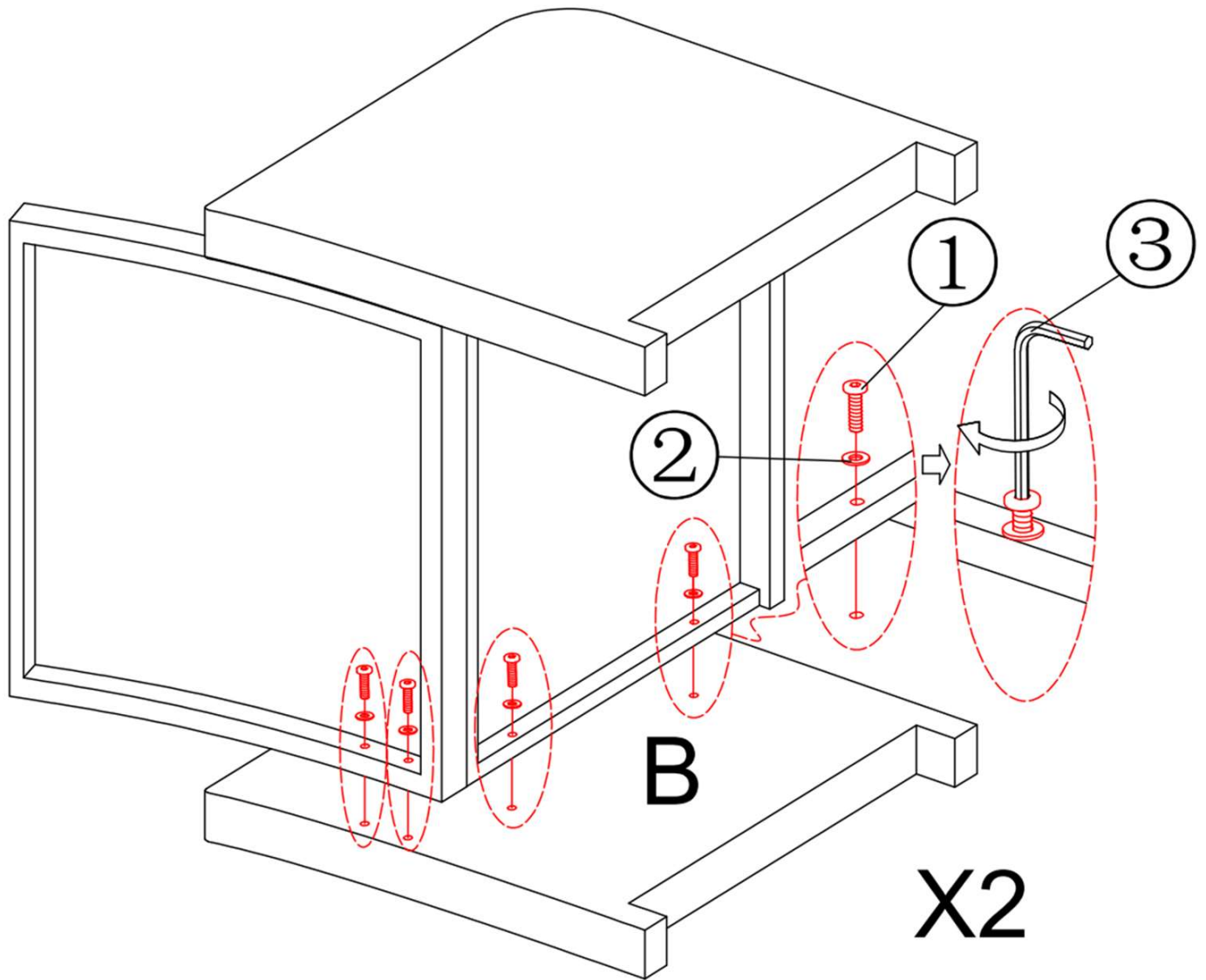
Place the right armrest (A) flat on a clean surface as shown. Align the pre-drilled holes on the Backrest (C) and Seat (D) with the matching holes on the right armrest (A). Place one Flat Washer (2) onto each bolt (1). Insert the screws through the aligned holes and use the provided Allen Wrench (3) to tighten them securely.






①*8	②*8	③*1
		
Bolt	Flat washer	Allen key

# step 3

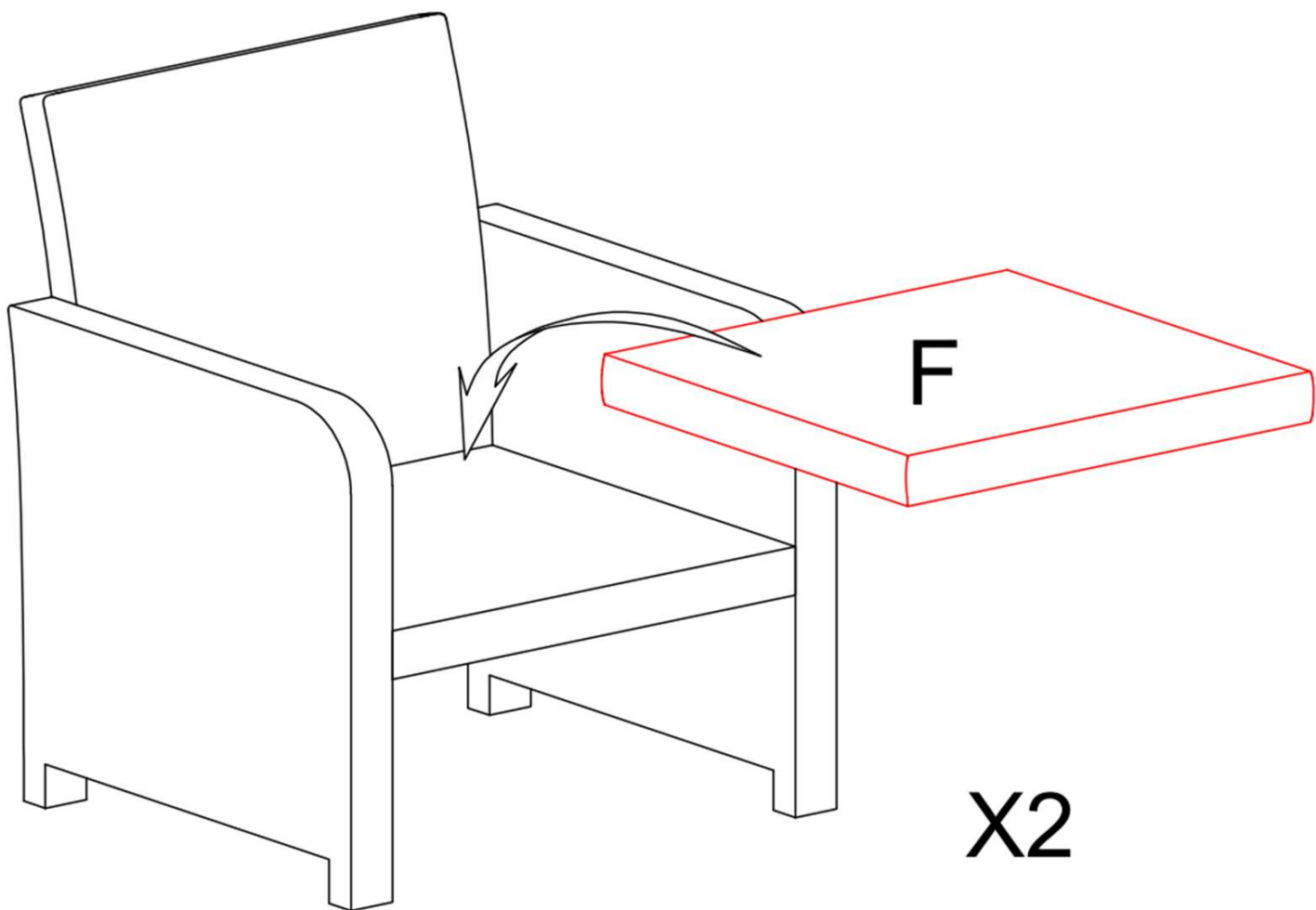
Repeat the previous step for the other armrest.



①*8	②*8	③*1
		
Bolt	Flat washer	Allen key

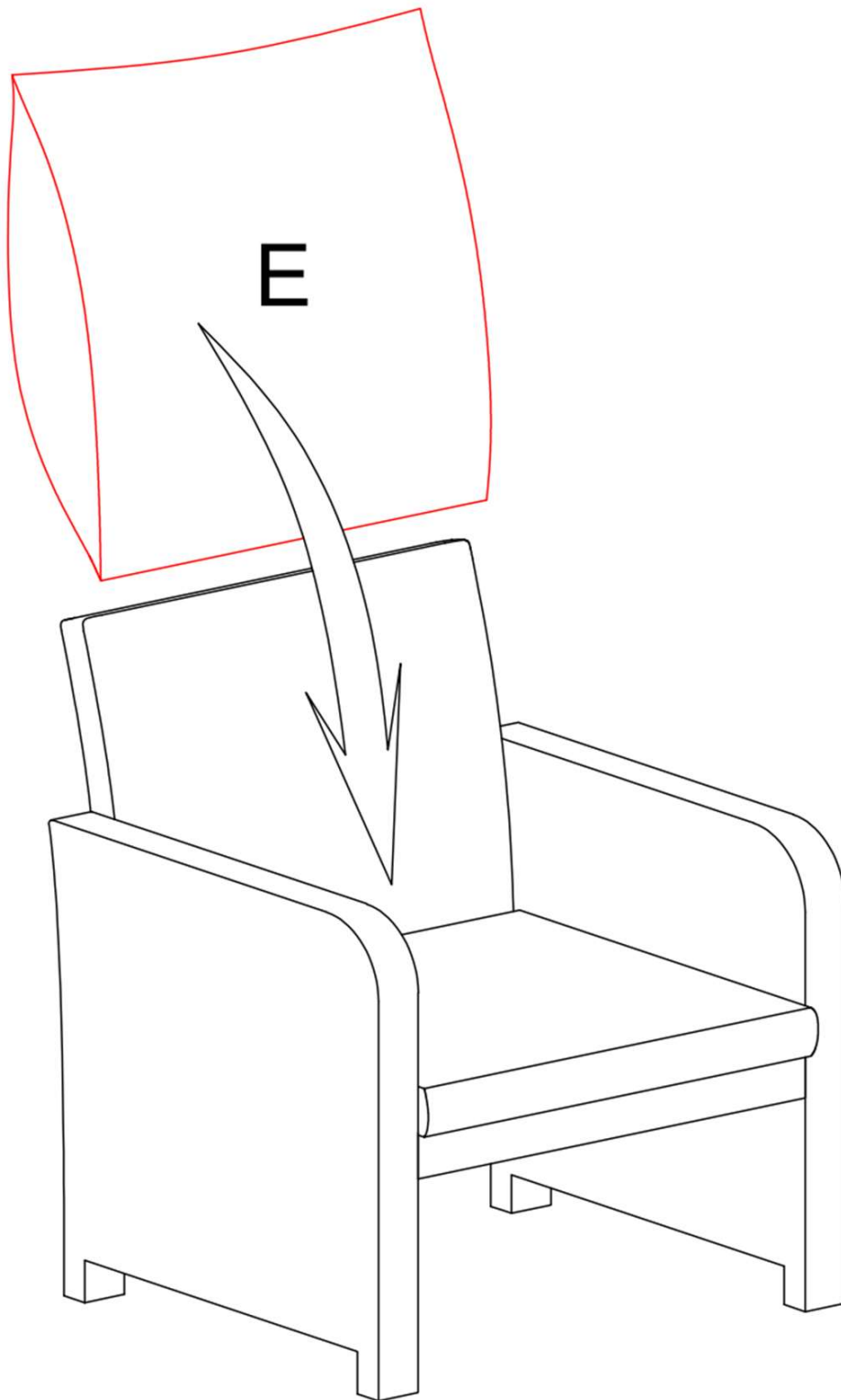
# step 4

Place the Seat Cushion (F) onto the Seat.



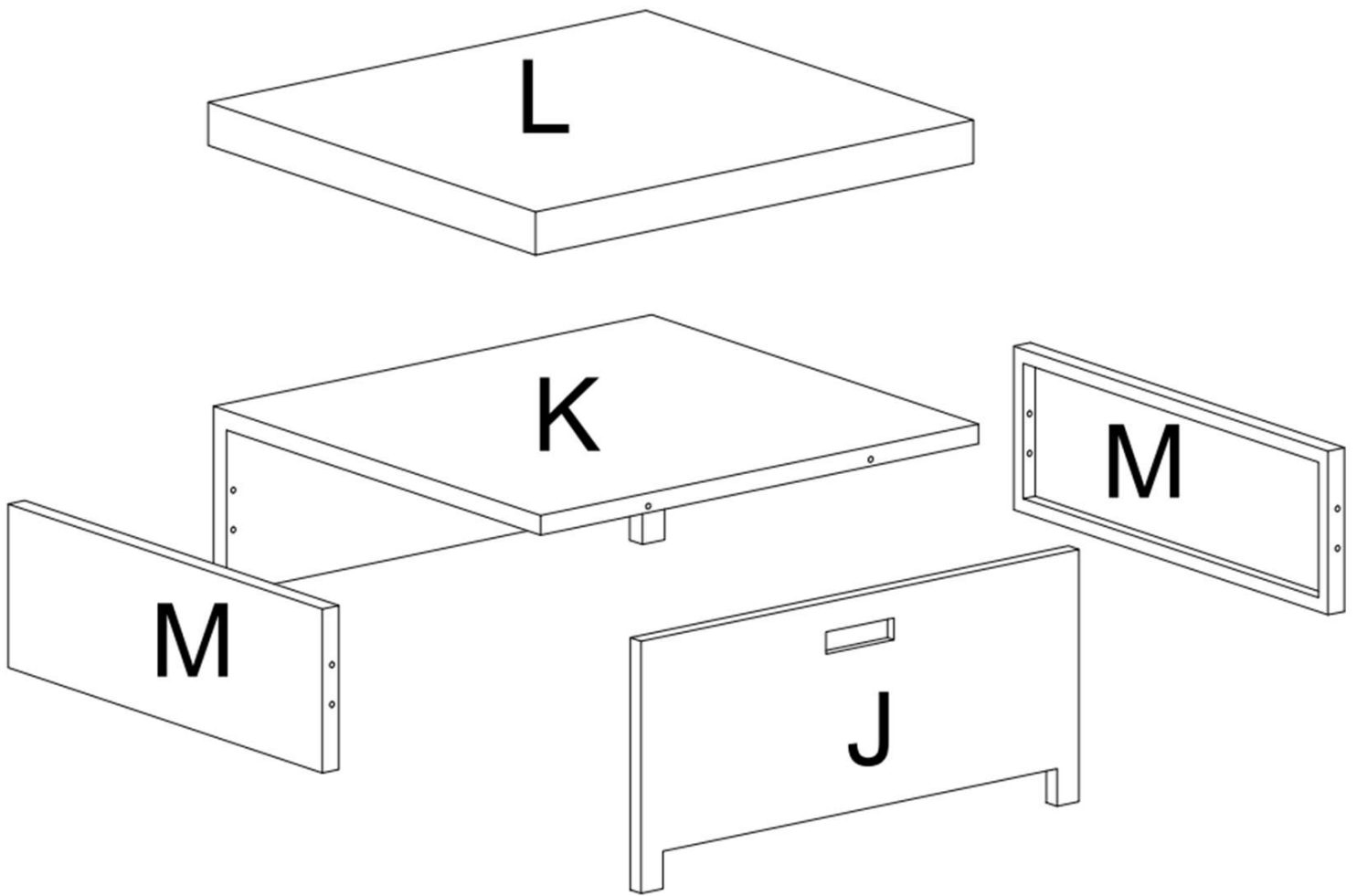
# step 5

Place the Back cushion (E) onto the Seat.



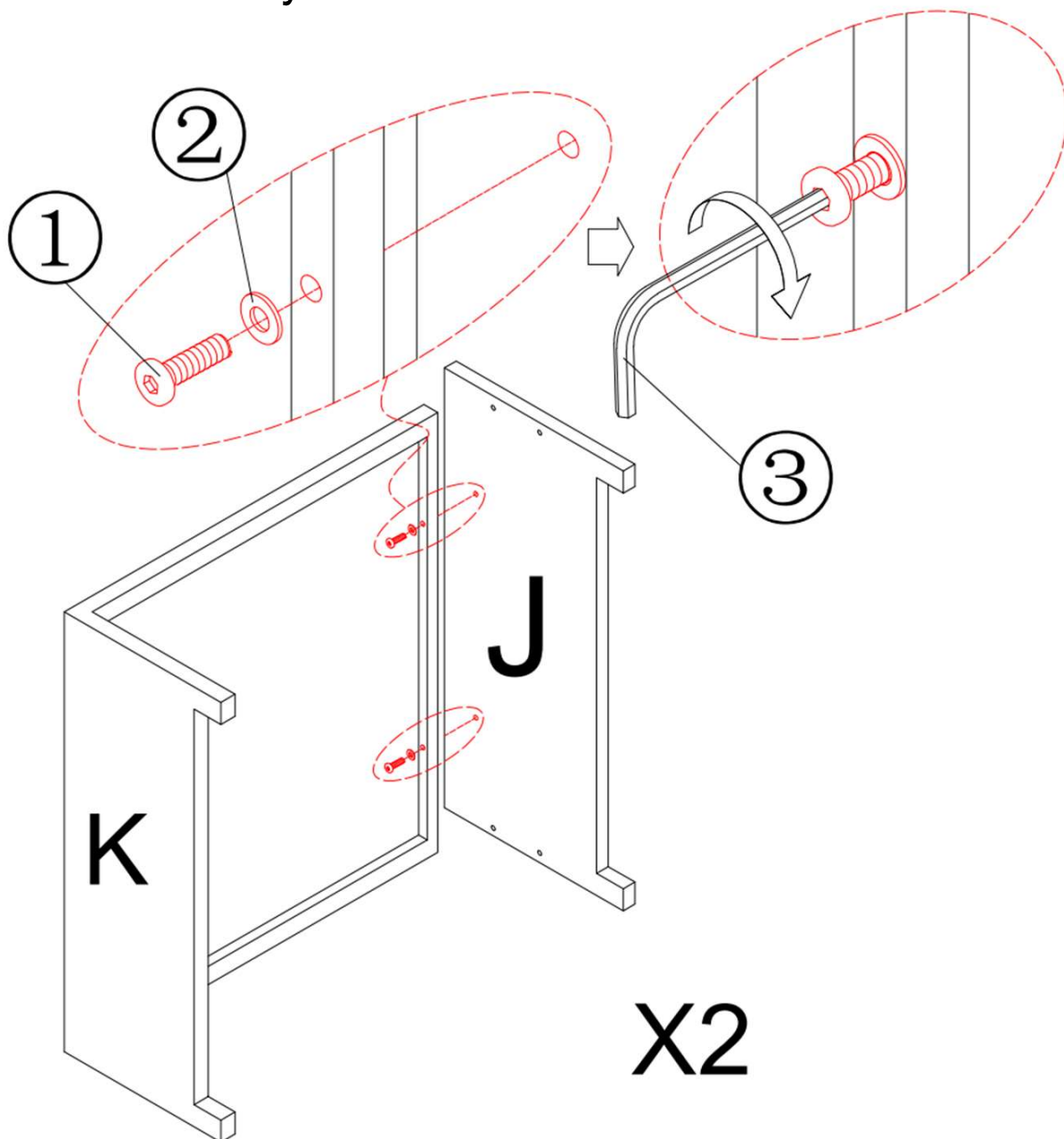
X2




# EXPLODED VIEW



# step 6

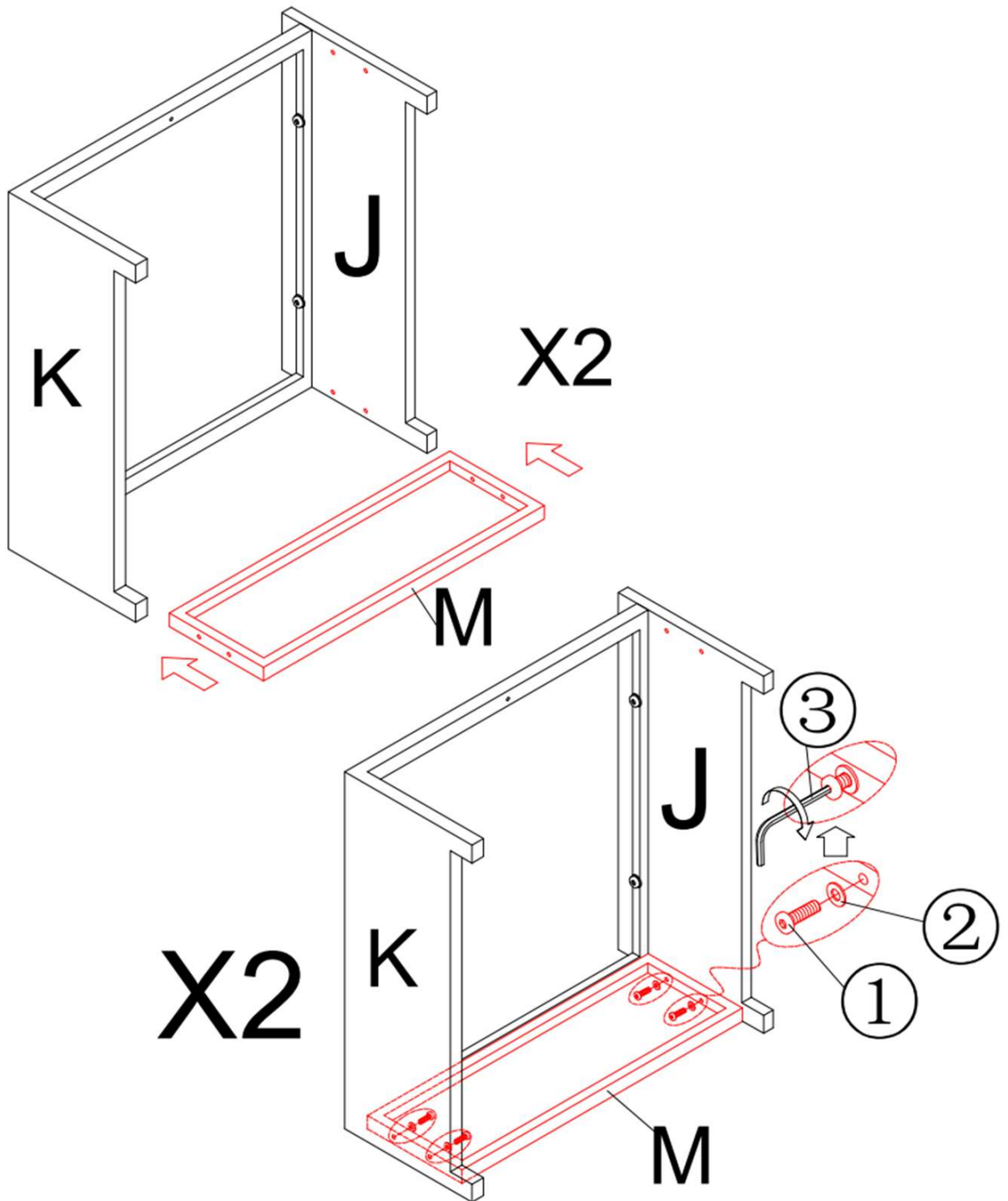
Place one Flat Washer (2) onto each Screw (1) as shown. Connect the Front Panel (J) to the Top Part (K) of the ottoman, aligning all pre-drilled holes, making sure the holes align properly. Use the provided Allen Wrench (3) to tighten all screws securely.






①*4	②*4	③*1
		
Bolt	Flat washer	Allen key

# step 7

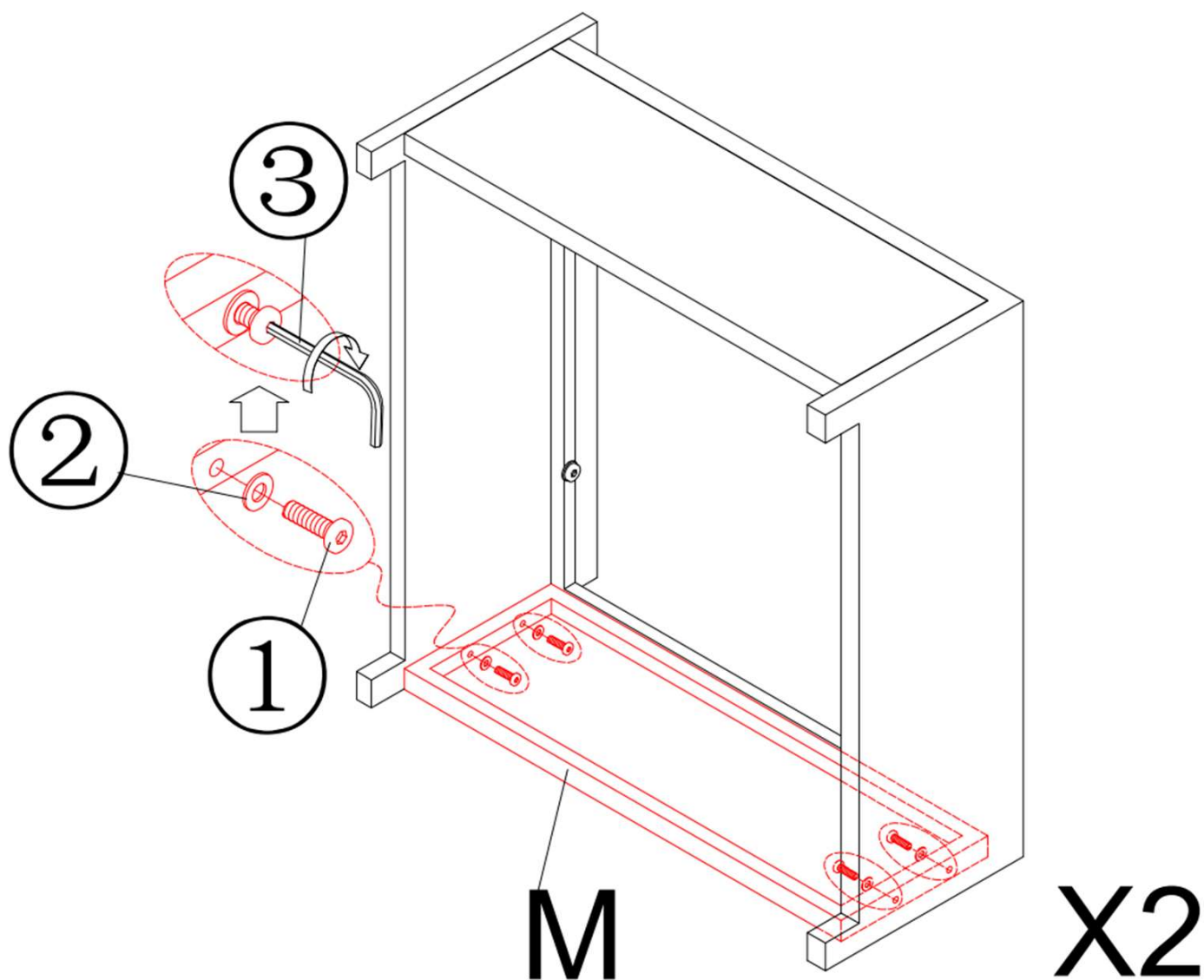
Attach the Side Panel (M) to the indicated position on the Top Part (K) and front part(J), making sure the holes align properly. Use the provided Allen Wrench (3) to tighten all screws securely.






①*8	②*8	③*1
		
Bolt	Flat washer	Allen key

# step 8

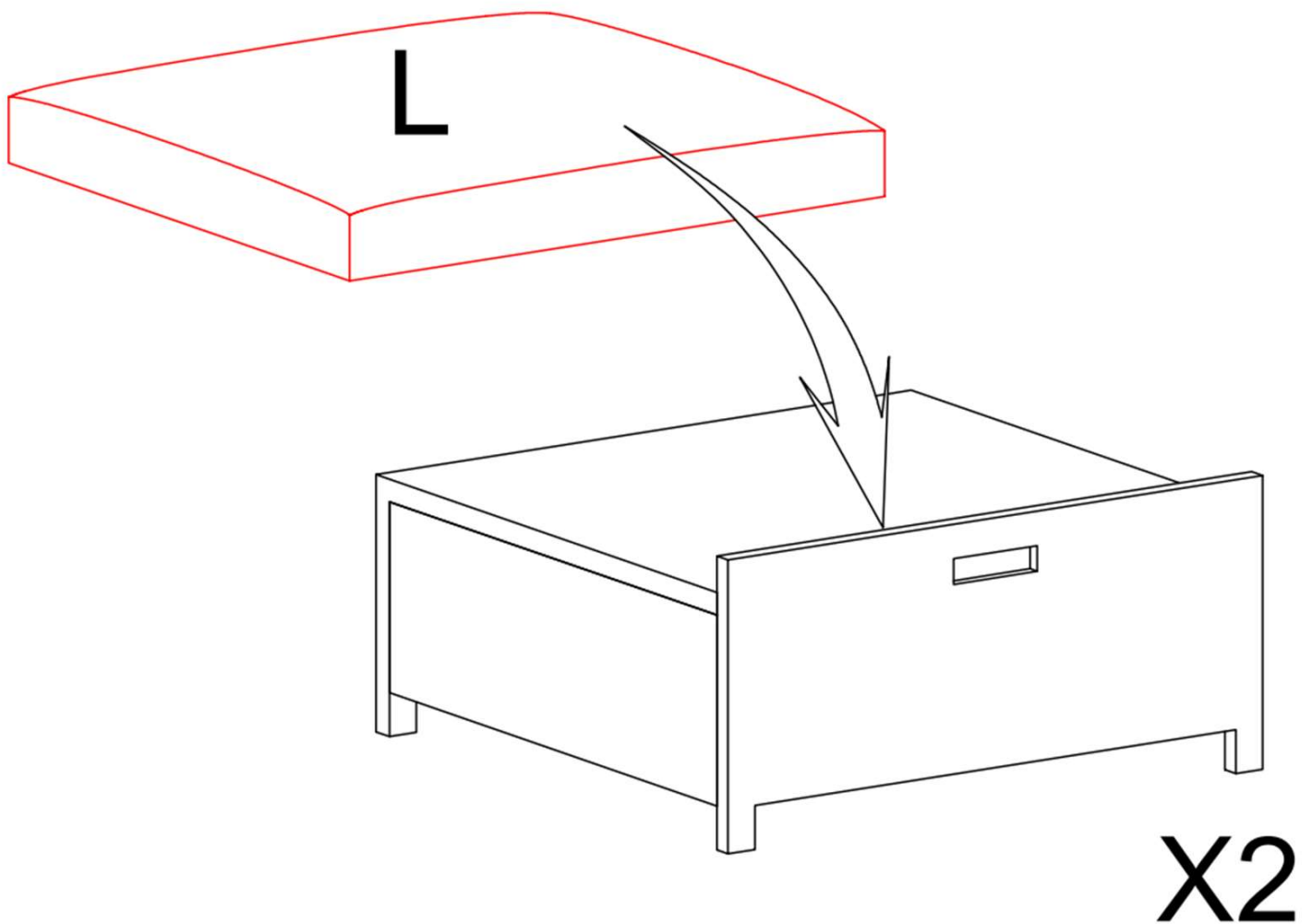
Repeat the previous step for the other Side Panel (M) as shown.



①*8	②*8	③*1
		
Bolt	Flat washer	Allen key

# step 9

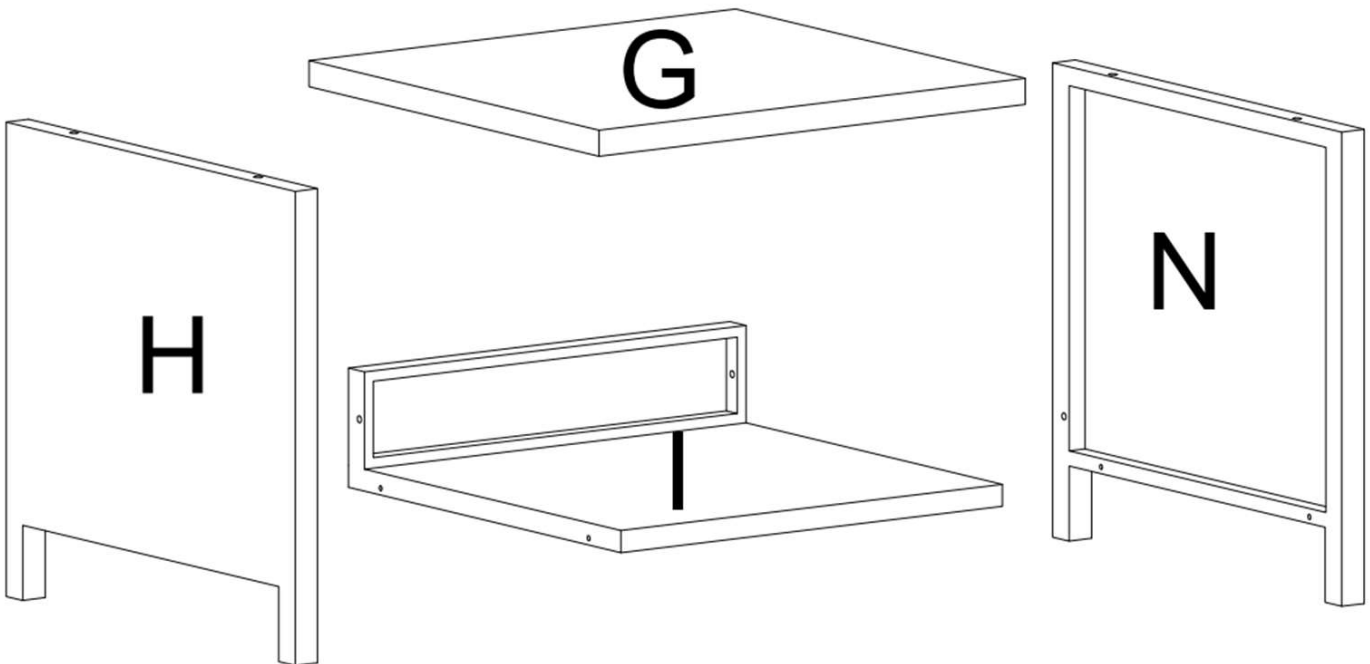
Place the Seat Cushion (L) onto the top of the ottoman and adjust it to ensure it sits neatly and evenly. Use the provided Allen Wrench (3) to check that all screws are fully and securely tightened. The assembly is now complete.



# EXPLODED VIEW

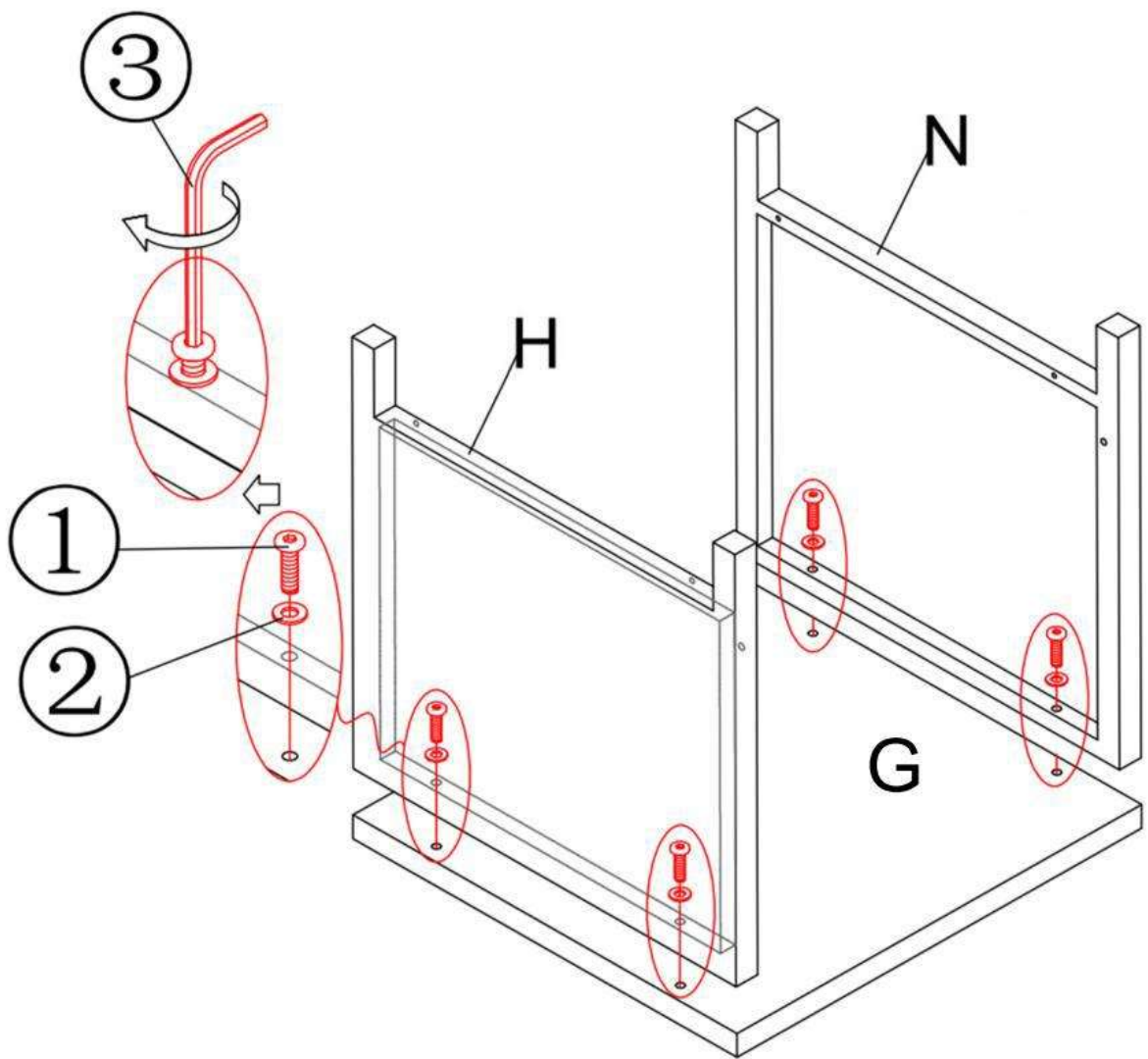





The product's left and right are determined by sitting posture



# step 10

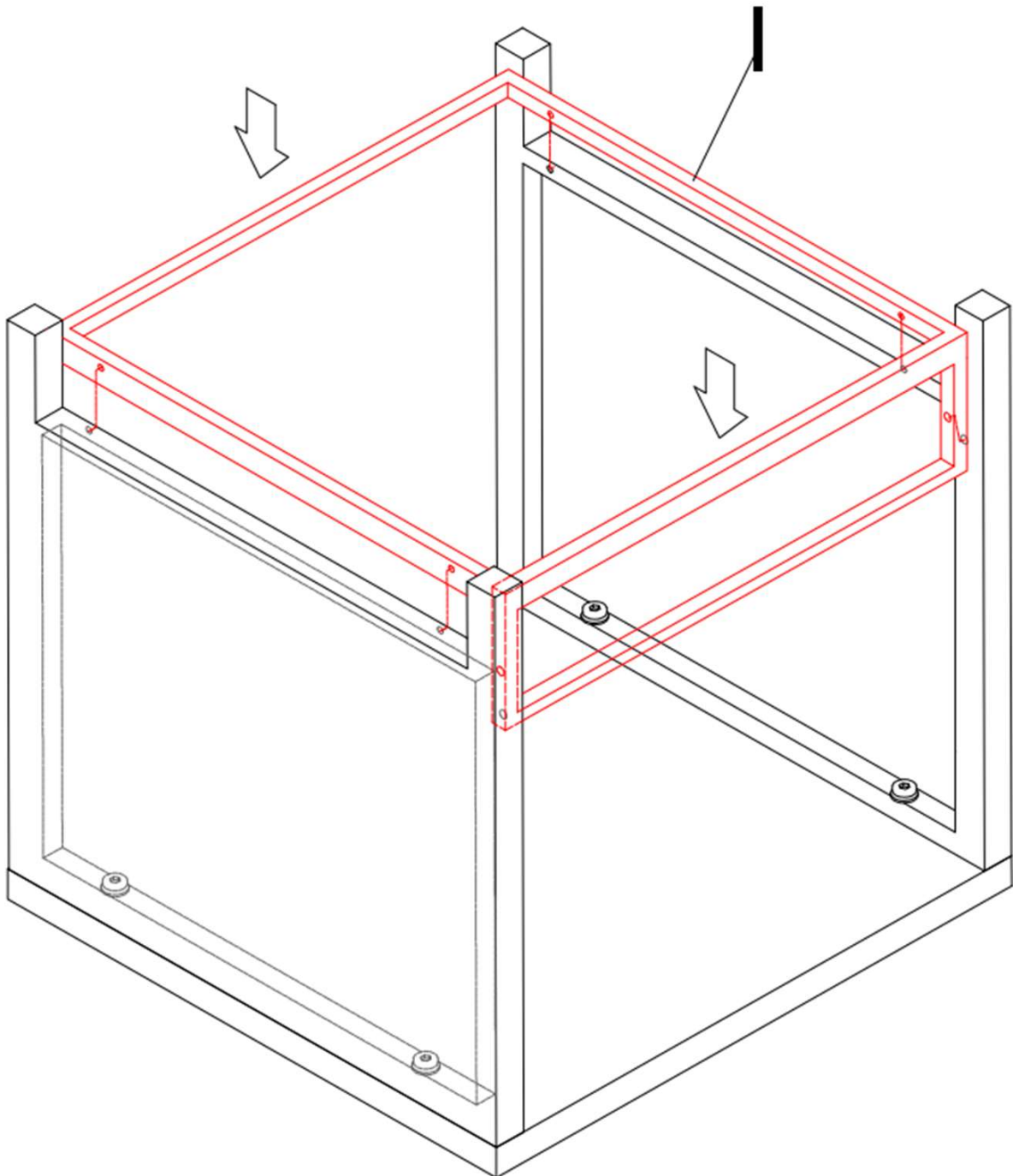
Place the Table Frame (G) upside down on a clean, flat surface as shown. Align the pre-drilled holes on each Table Leg (H&N) with the corresponding holes on the Table Frame (G). Place one Flat Washer (2) onto each bolts (1) before inserting. Insert the bolts and use the provided Allen Wrench (3) to tighten them securely.



①*4  Bolt	②*4  Flat washer	③*1  Allen key
--	--	---

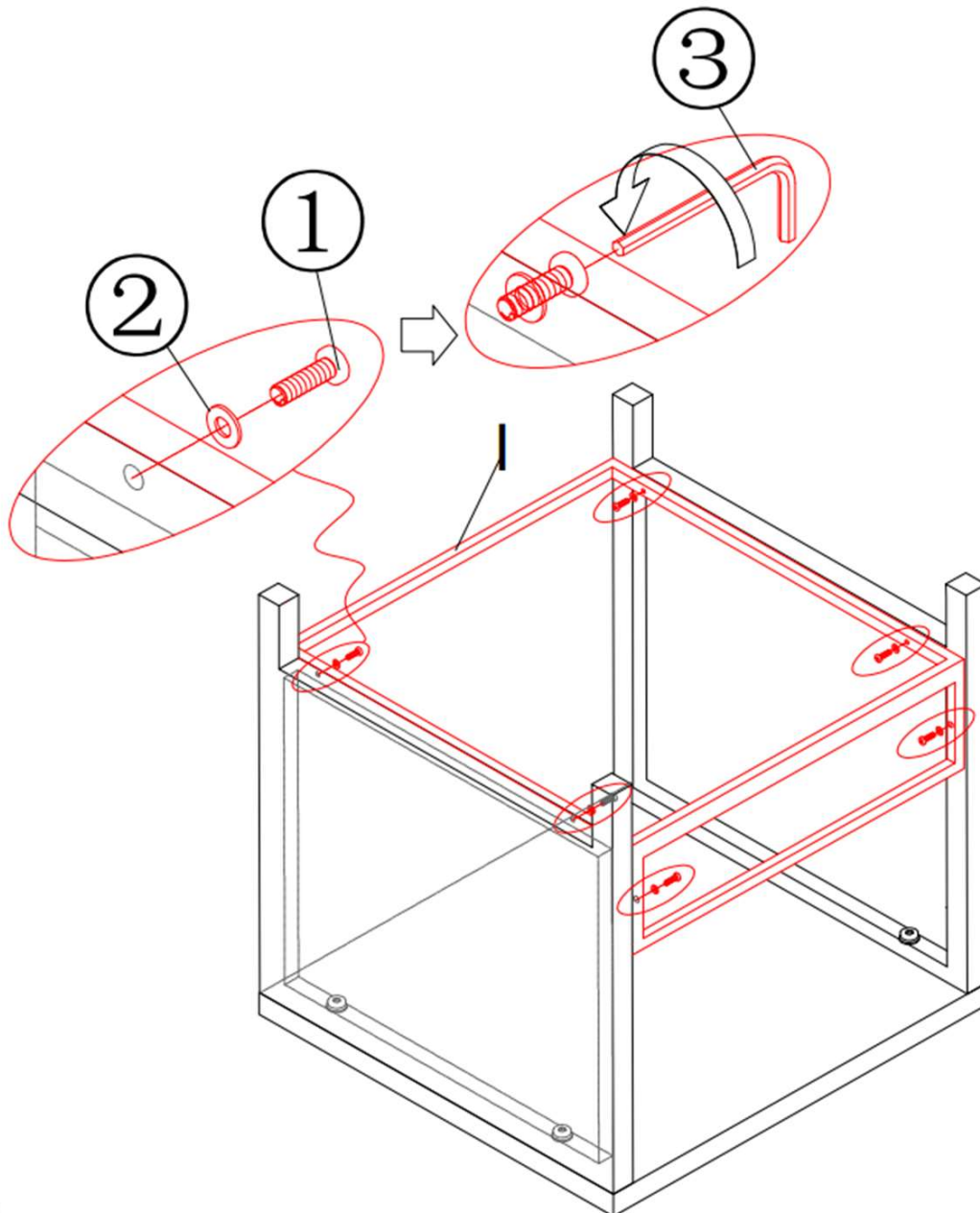
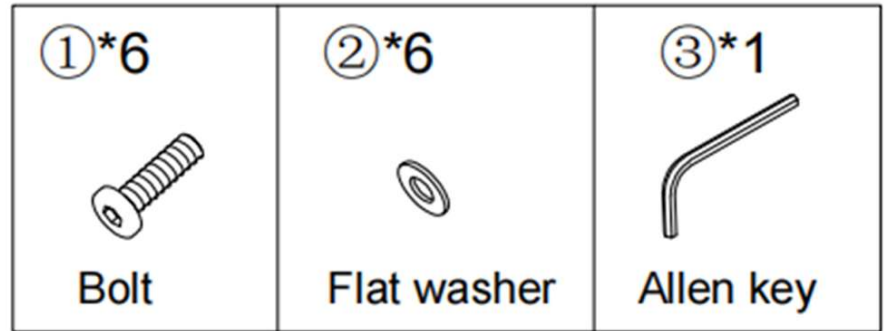
# step 11

Align the pre-drilled screw holes on both sides of the Storage Plate (I) with the corresponding holes on the Table Legs (H& N) as shown in the diagram.



# step 12

Place one Flat Washer (2) onto each Screw (1). Insert the bolts into the aligned holes and tighten them using the provided Allen Wrench (3). Then tighten all the bolts on the Storage Plate (I) .



# step 13

The ottoman can be placed underneath the chair when not in use.

