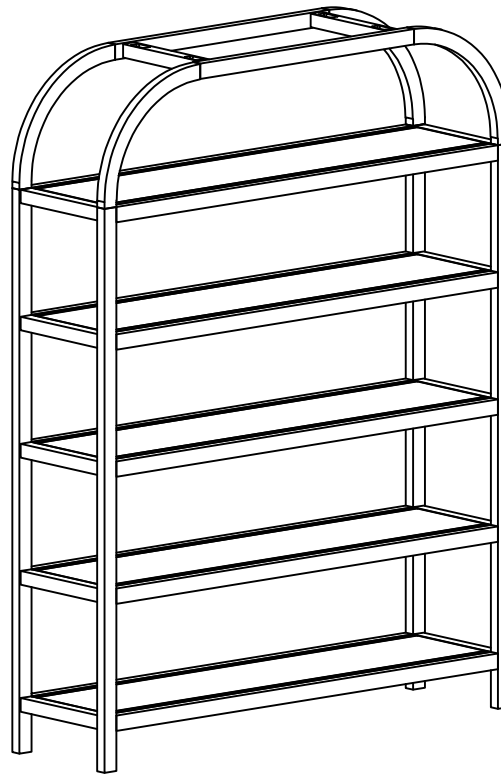


# MOE'S

## Assembly Instructions

Eero Bookcase Large Natural

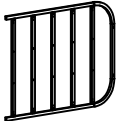


BC-1158-24










THANK YOU FOR YOUR PURCHASE!

# Parts and Hardware

## PARTS LIST

No.	DESCRIPTION	IMAGE	Q'TY
P1	FRAME LEGS		2
P2	STRETCHER		2
P3	SHELF		5

## HARDWARE LIST

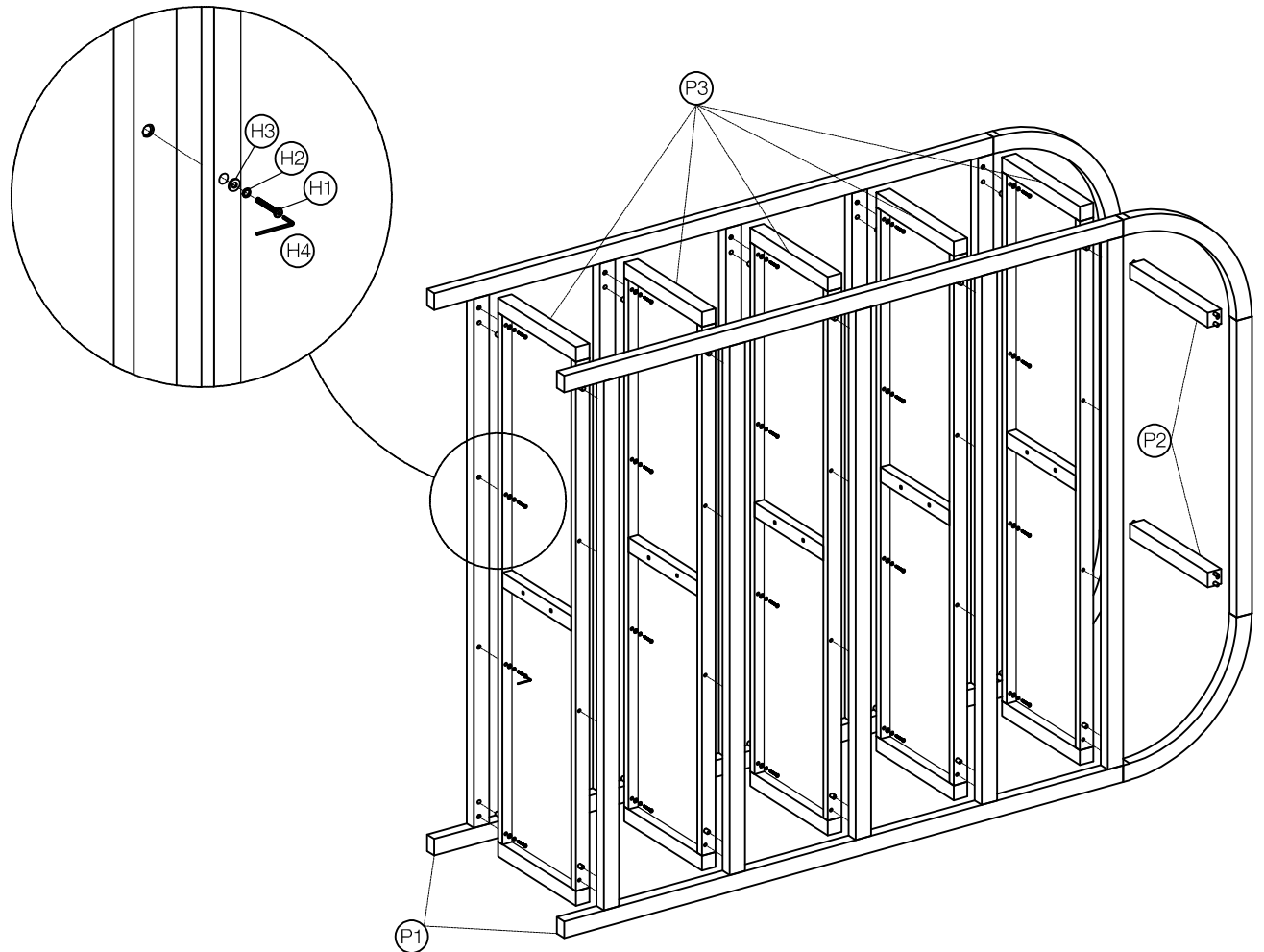
No.	DESCRIPTION	IMAGE	Q'TY
H1	BOLT (Ø6/16X40 MM)		44
H2	SPRING WASHER Ø6/11		44
H3	FLAT WASHER Ø6/16		44
H4	ALLEN KEY		1
H5	OPTIONAL : L BRACKET		2
H6	OPTIONAL : SCREW Ø4x20		2
H7	OPTIONAL : SCREW Ø4x40		2

## Notes

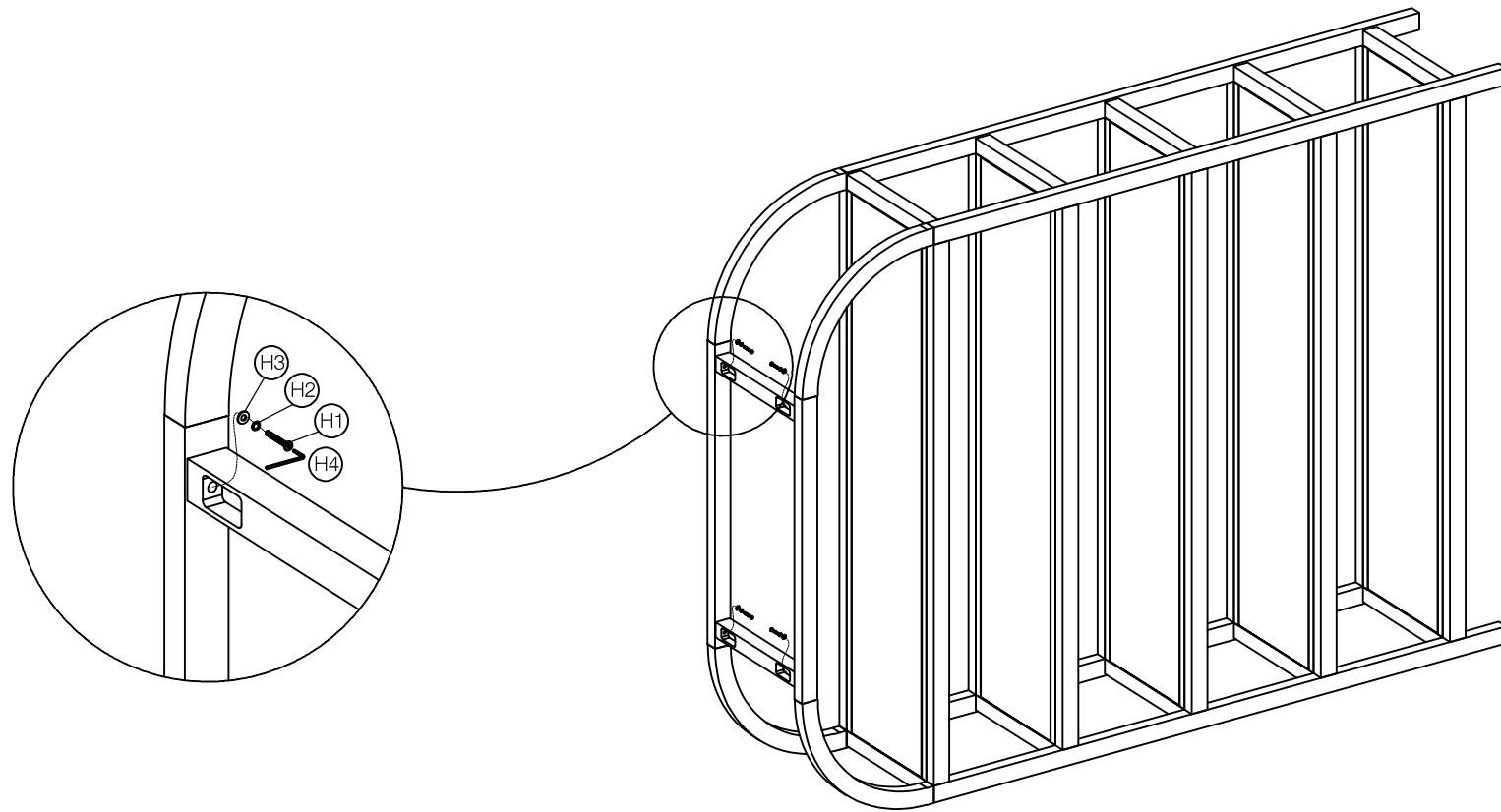
Thank you for purchasing this quality product!  
Be sure to check all packing material carefully for small part that may have come loose inside the carton during shipping.

**CAUTION:** The item is heavy, assembly should be performed by two people.

# Step 1



Step 2



### Step 3: OPTIONAL

