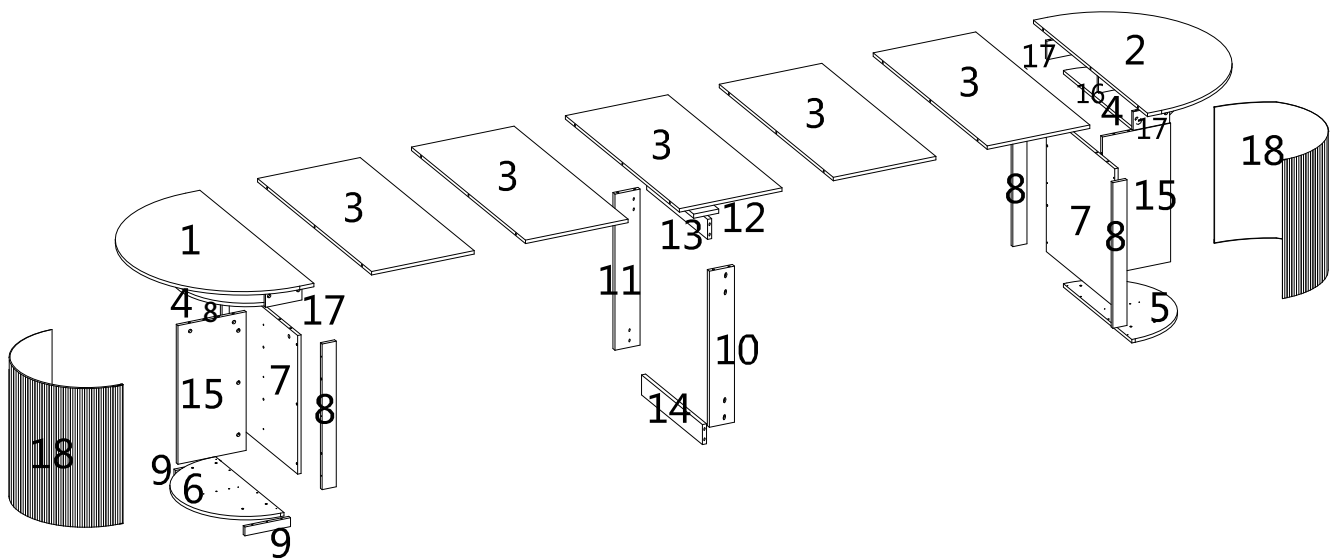
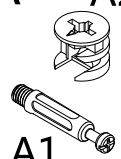

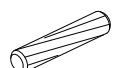
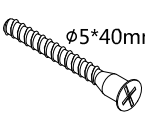
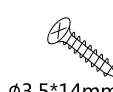
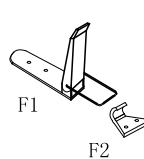
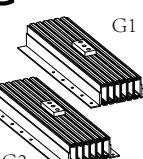

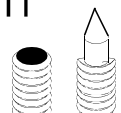
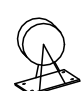

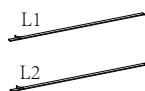
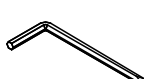


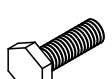
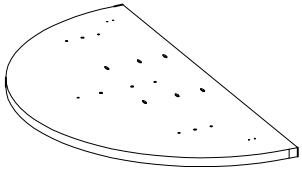


DS-DT002F/B

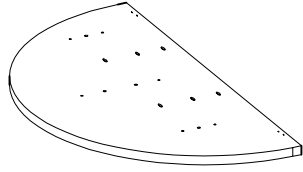


<p>A A2</p>  <p>A1 4PCS</p>	<p>B B2</p>  <p>B1 22PCS</p>	<p>C</p>  <p>Ø8*30mm 42PCS</p>	<p>D</p>  <p>φ5*40mm 51PCS</p>	<p>E</p>  <p>φ3.5*14mm 60PCS</p>	<p>F</p>  <p>F1 F2 12PCS</p>	<p>G</p>  <p>G1 G2 1PC</p>	<p>H</p>  <p>12PCS</p>
<p>I₁₁ I2</p>  <p>18PCS</p>	<p>J</p>  <p>3PCS</p>	<p>K</p>  <p>4PCS</p>	<p>L</p>  <p>L1 L2 4PCS</p>	<p>M</p>  <p>1PC</p>	<p>N</p>  <p>1PC</p>	<p>O</p>  <p>77PCS</p>	<p>P</p>  <p>2PCS</p>

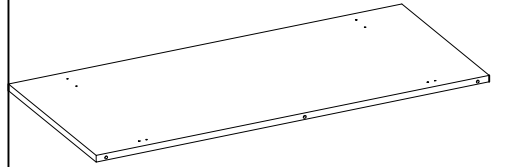
1



2



3



1000*562*15mm

1PC

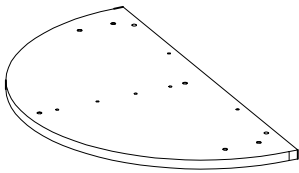
1000*562*15mm

1PC

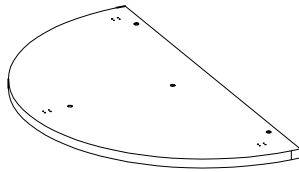
1000*450*15mm

5PCS

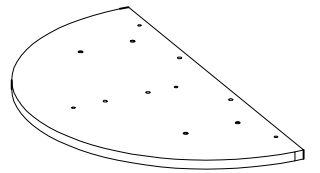
4



5



6



600*315*15mm

2PCS

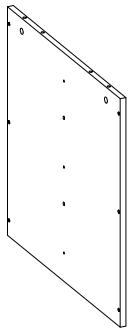
600*315*15mm

1PC

600*315*15mm

1PC

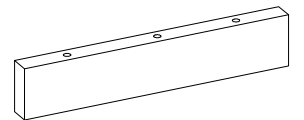
7



8



9



596*600*15mm



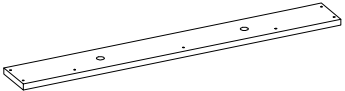
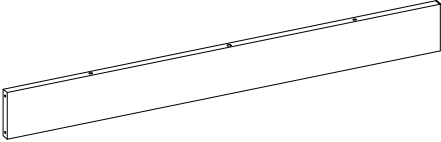
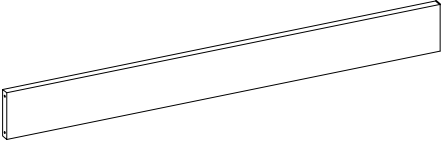
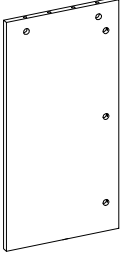
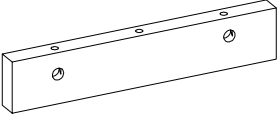
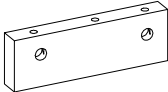
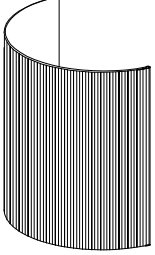
2PCS

626*62*15mm

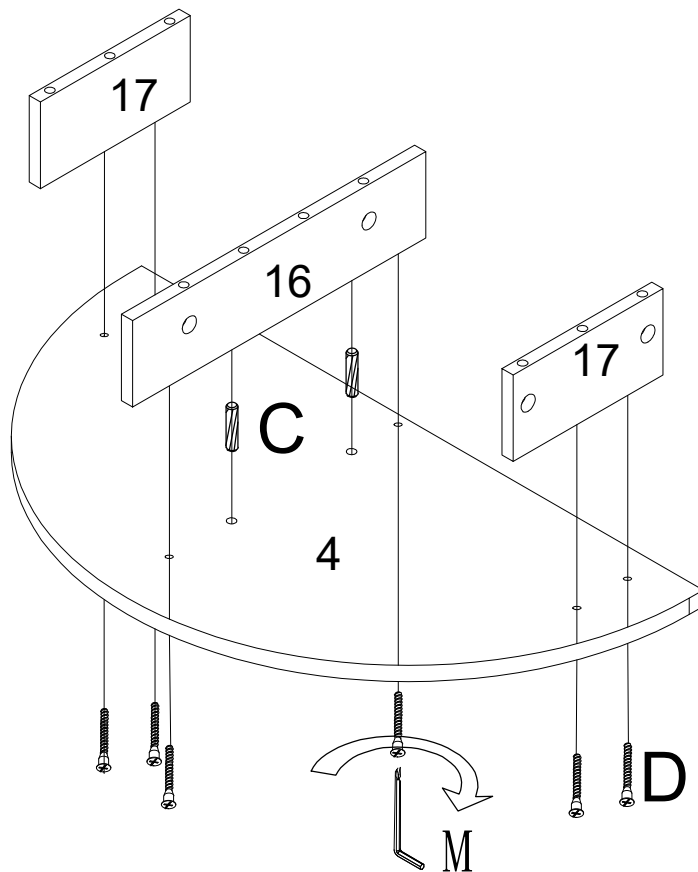
4PCS

200*38*15mm

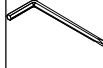

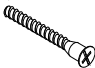
2PCS

<p>10</p>  <p>671*110*15mm 1PC</p>	<p>11</p>  <p>671*110*15mm 1PC</p>	<p>12</p>  <p>550*110*15mm 1PC</p>
<p>13</p>  <p>518*86*15mm 1PC</p>	<p>14</p>  <p>518*86*15mm 1PC</p>	<p>15</p>  <p>596*299*12mm 2PCS</p>
<p>16</p>  <p>313*80*12mm 2PCS</p>	<p>17</p>  <p>160*80*12mm 4PCS</p>	<p>18</p>  <p>1096*624mm 2PCS</p>

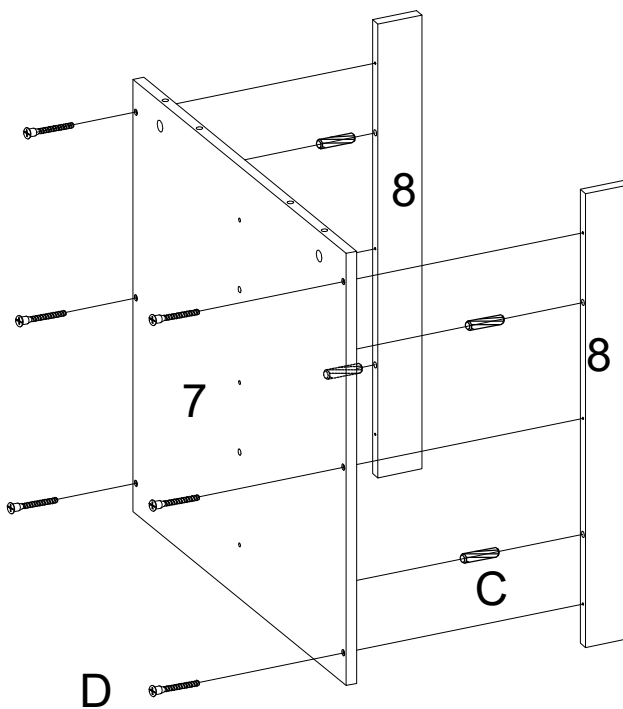
STEP 1



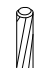

X2

	M × 1PC		C × 4PCS		D × 12PCS
---	---------	---	----------	---	-----------

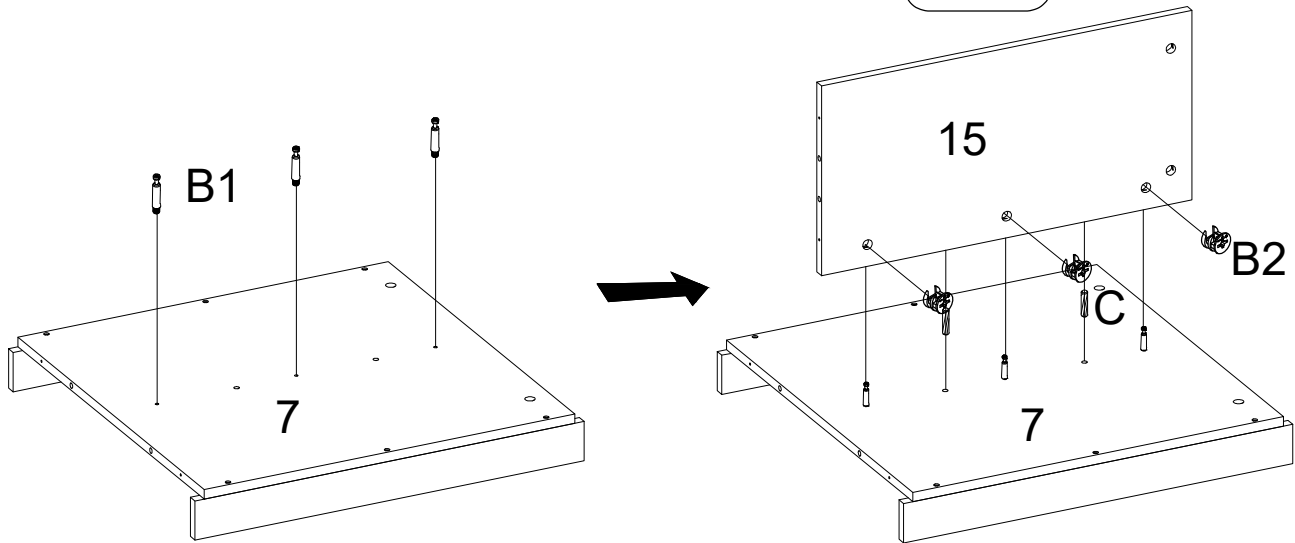
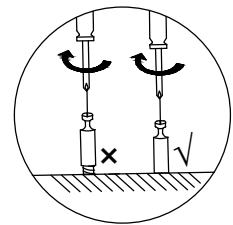
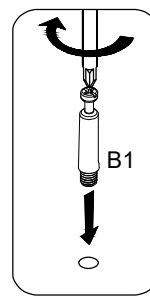
STEP 2






X2

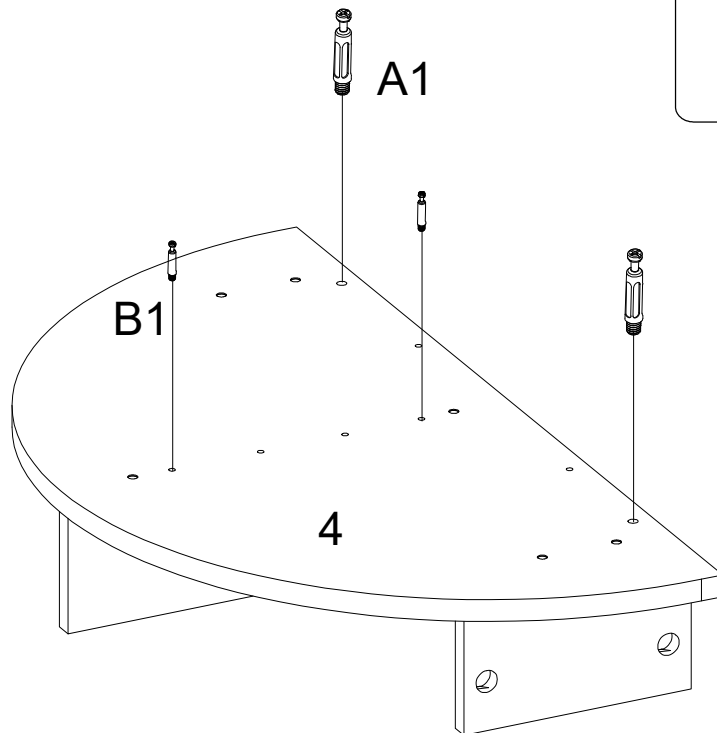
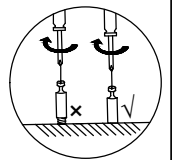
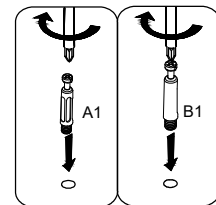
	C × 8PCS		D × 12PCS
---	----------	---	-----------

STEP 3 X2





	B2 × 6PCS		C × 4PCS		B1 × 6PCS
---	-----------	---	----------	---	-----------

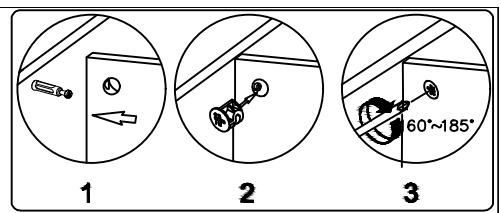
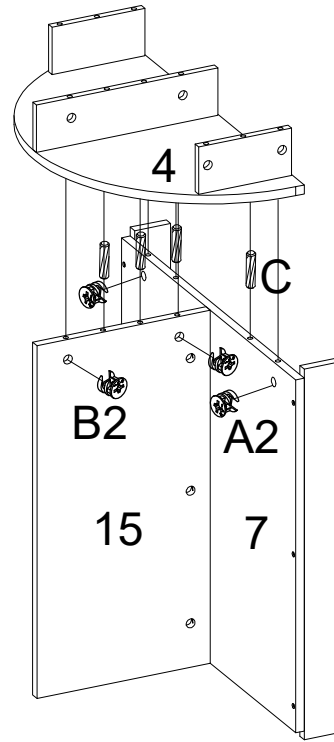
STEP 4






X2

	A1 × 4PCS		B1 × 4PCS
---	-----------	---	-----------

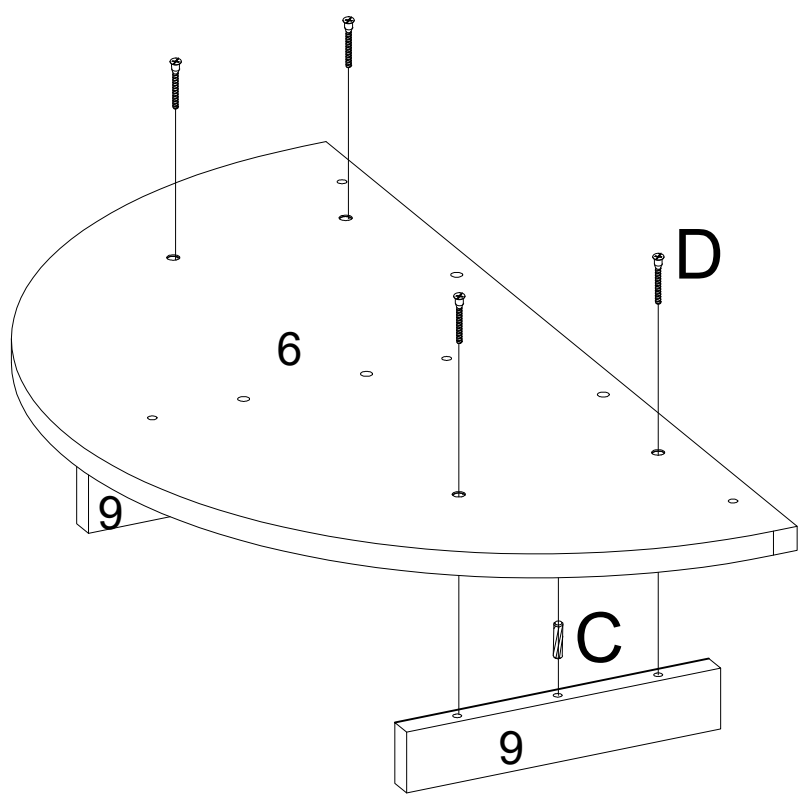
STEP 5


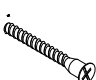


X2

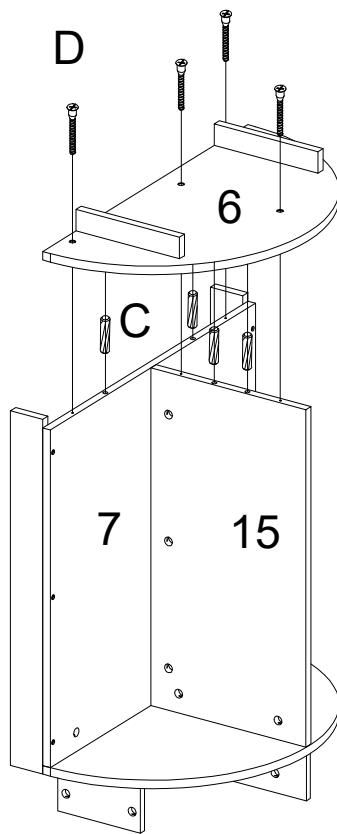
	C × 8PCS		A2 × 4PCS		B2 × 4PCS
---	----------	---	-----------	---	-----------


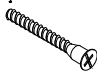
STEP 6



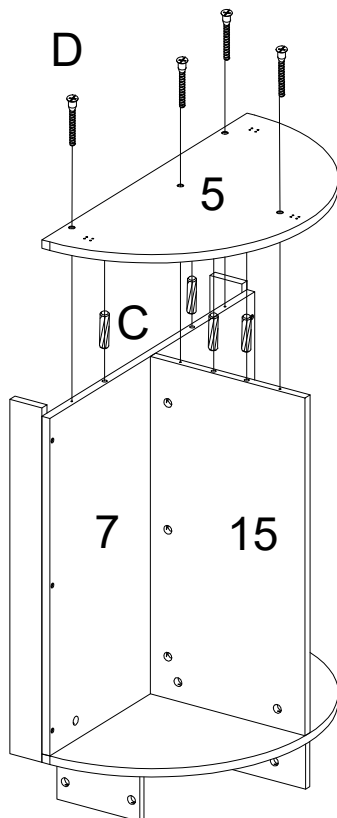
	C × 2PCS		D × 4PCS
---	----------	---	----------


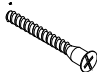
STEP 7



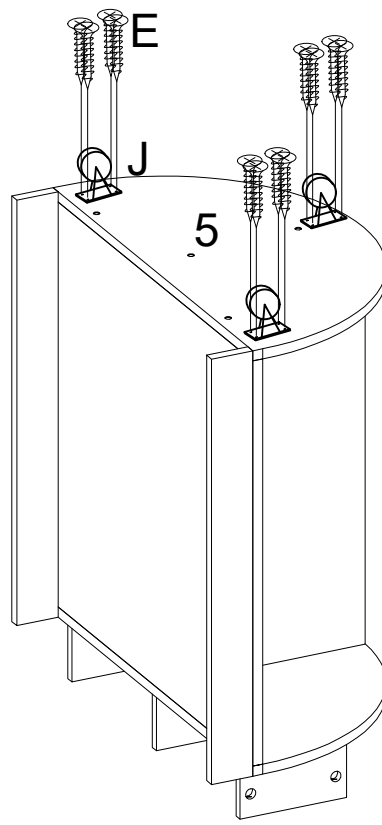
	C × 4PCS		D × 4PCS
---	----------	---	----------


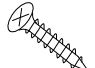
STEP 8



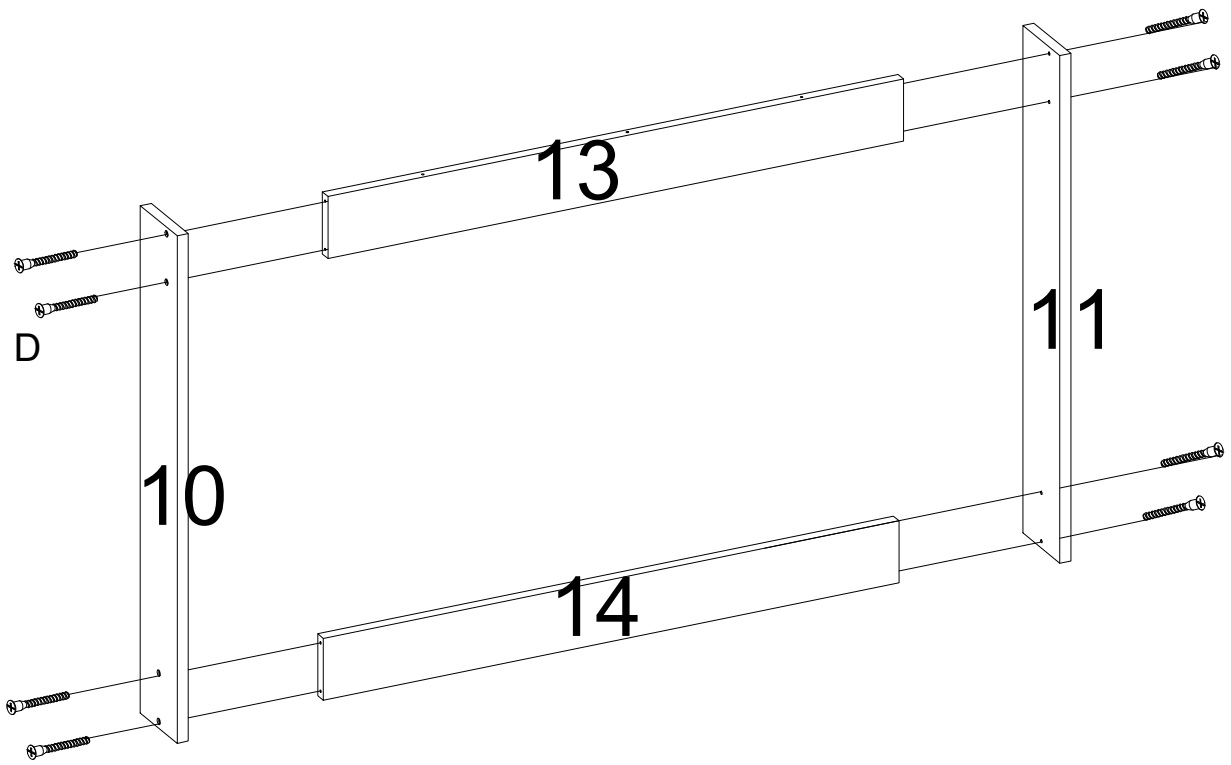
	C × 4PCS		D × 4PCS
---	----------	---	----------


STEP 9



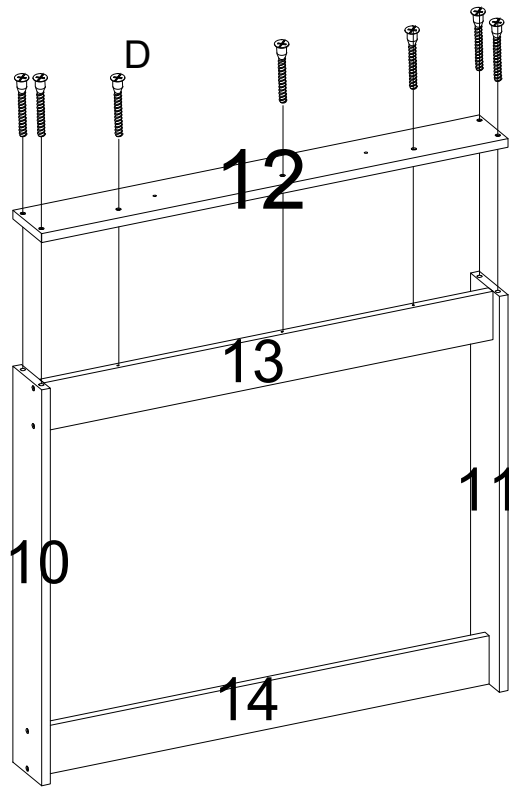
	J × 3PCS		E × 12PCS
---	----------	---	-----------

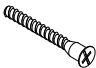
STEP 10



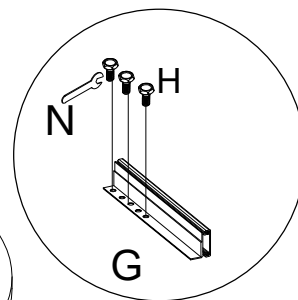
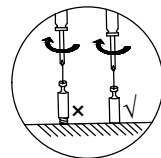
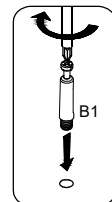
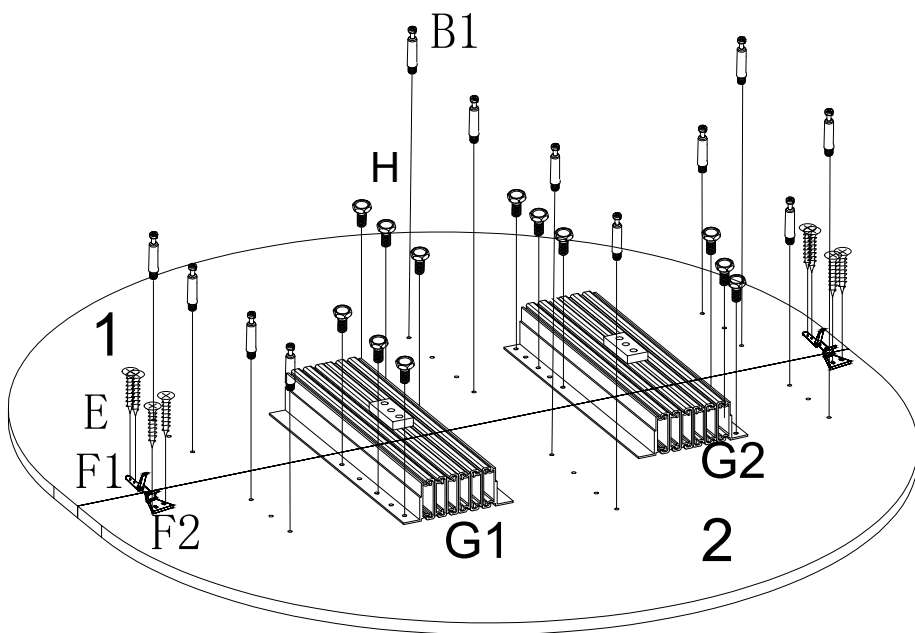
	D × 8PCS
---	----------




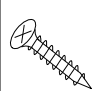


STEP 11



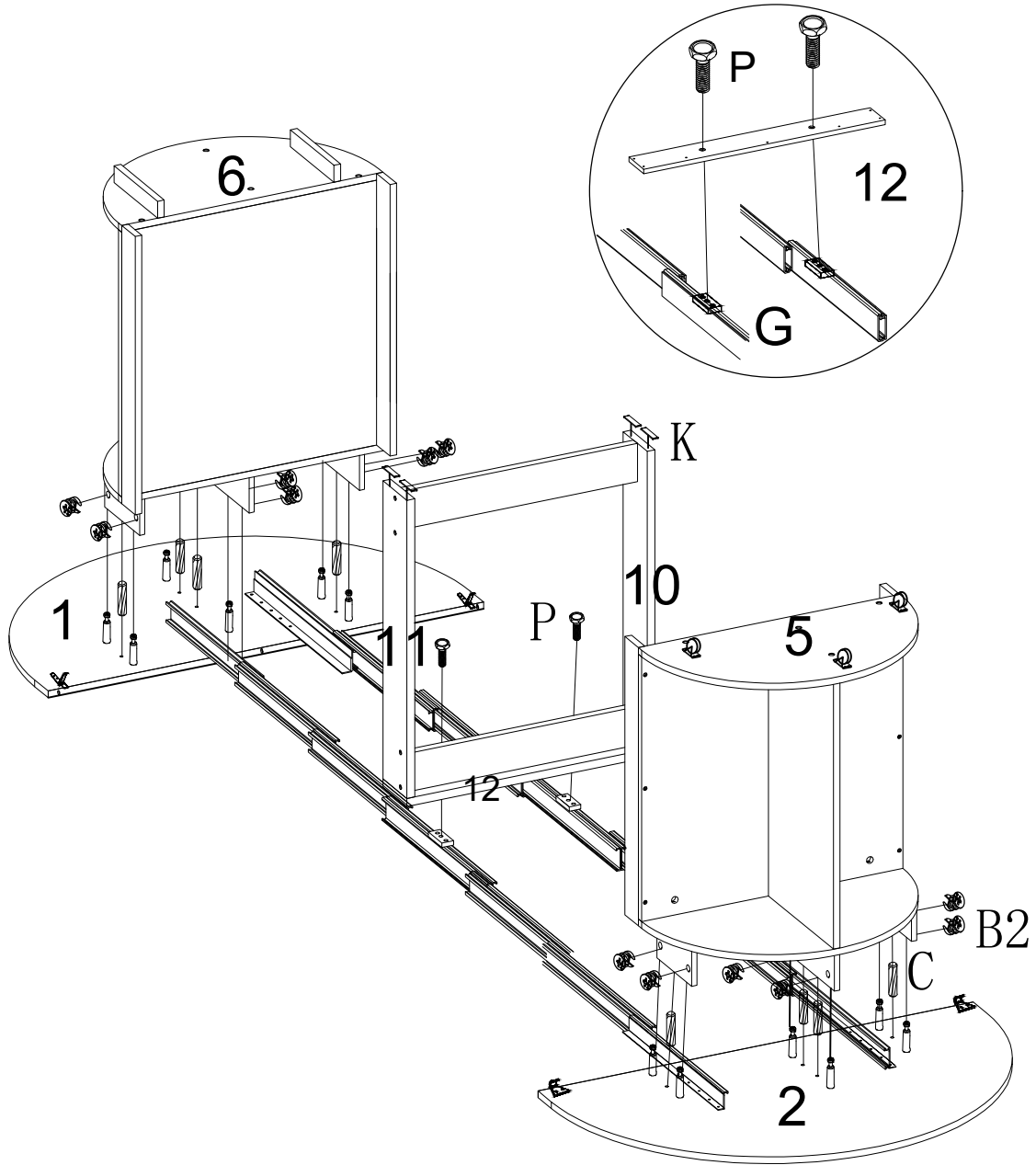
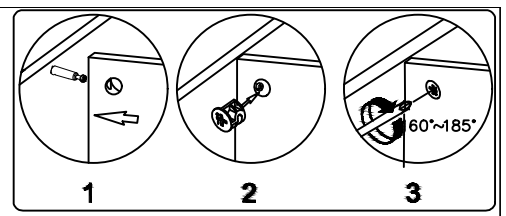
	D × 7PCS
---	----------





STEP 12



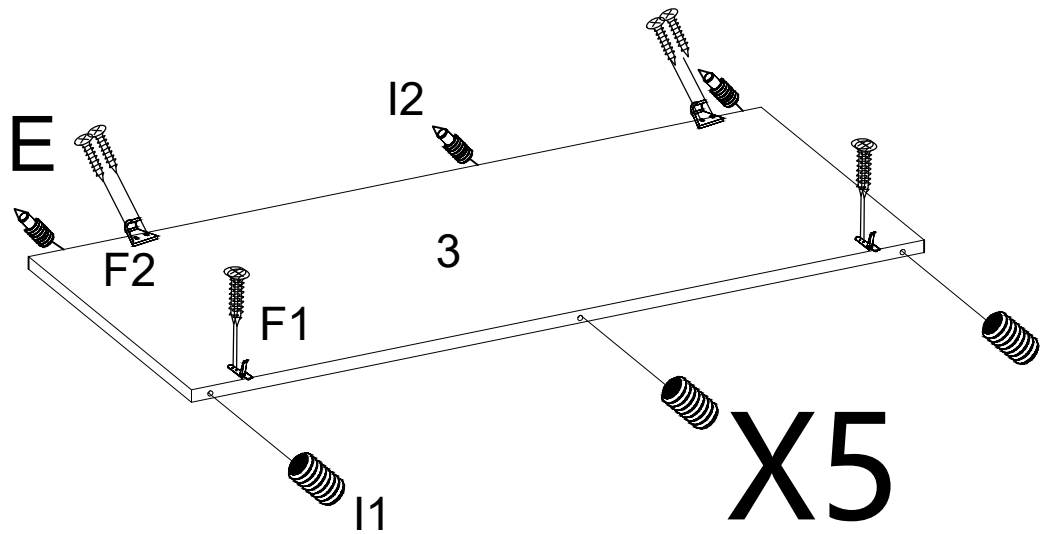
	B1 × 12PCS		F × 2PCS		N × 1PC
	E × 8PCS		H × 12PCS		G × 1PC

STEP 13



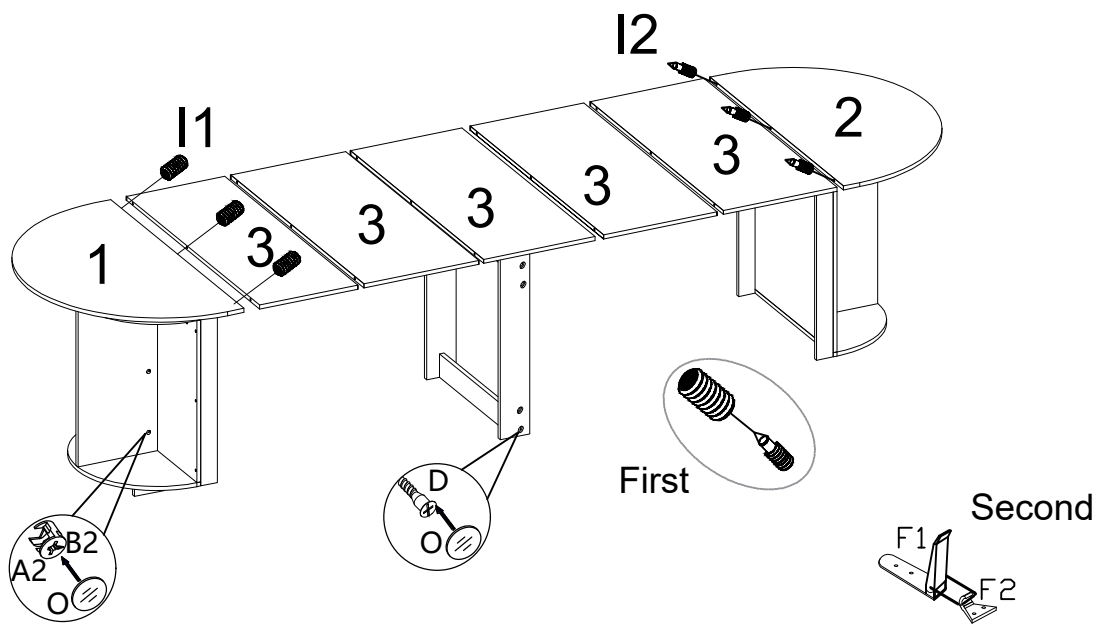
	P × 2PCS		B2 × 12PCS		C × 8PCS
	K × 4PCS				

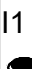


STEP 14



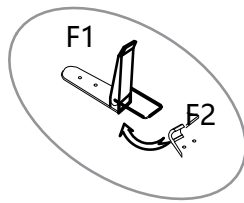
 	$I \times 15\text{PCS}$		$E \times 40\text{PCS}$	 	$F \times 10\text{PCS}$
---	-------------------------	---	-------------------------	--	-------------------------

STEP 15



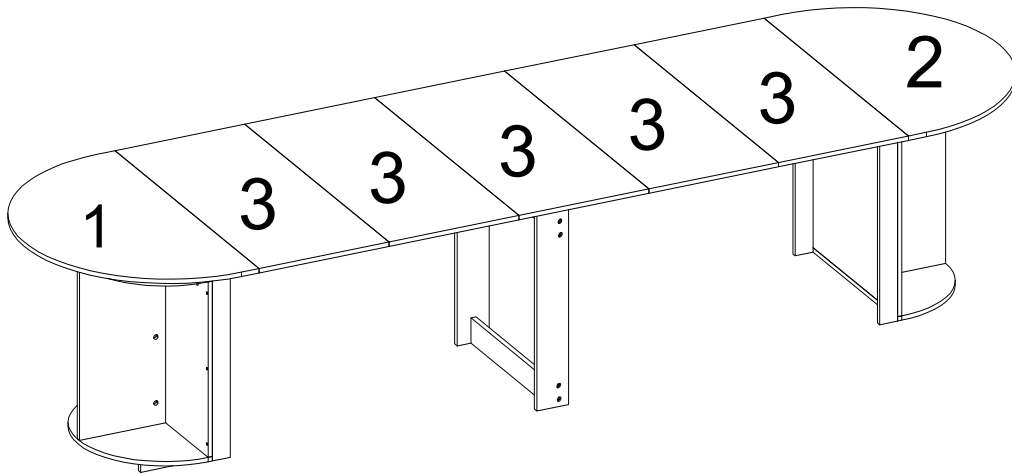
 	$I \times 3\text{PCS}$		$D \times 62\text{PCS}$
---	------------------------	---	-------------------------

STEP 16



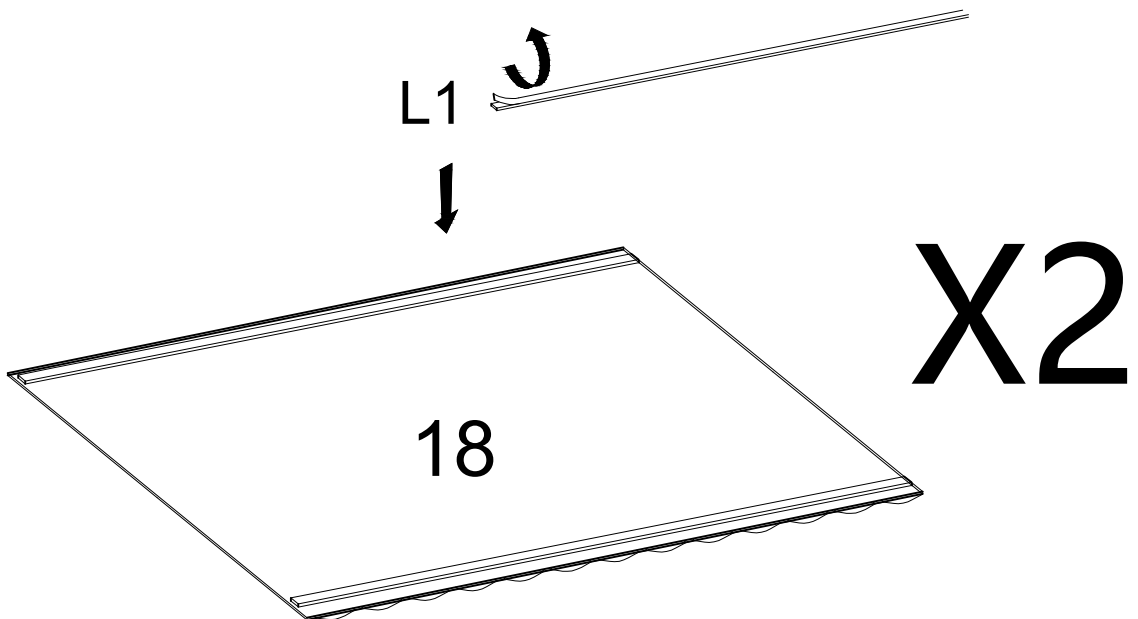
First open F1 and F2 !Second take out the 3# board


one by one!



STEP 17

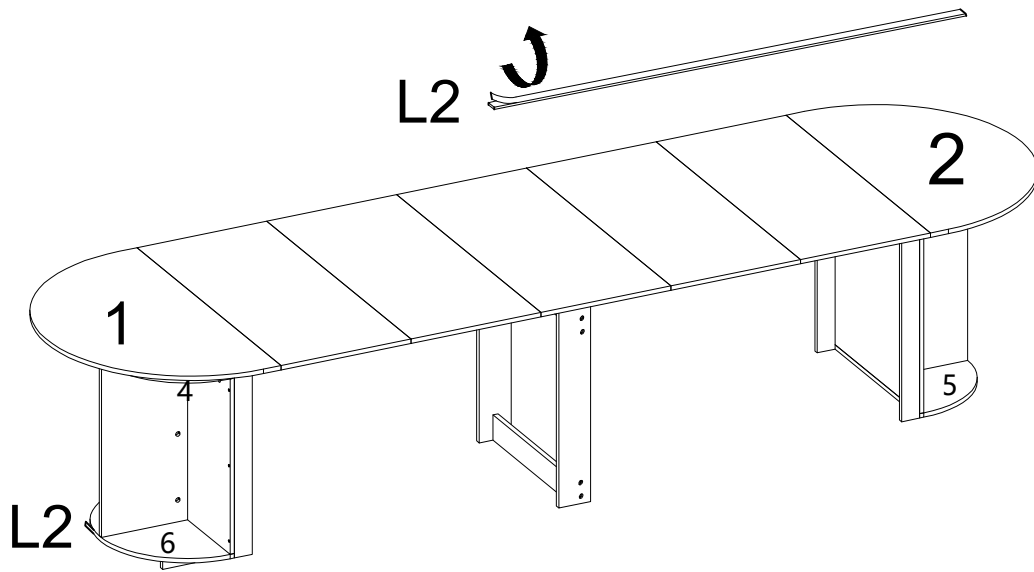
Remove the protective film from the hardware L1



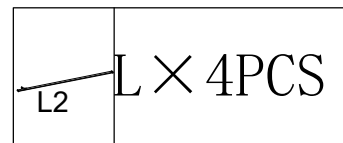
L1	
	L × 4PCS

STEP 18

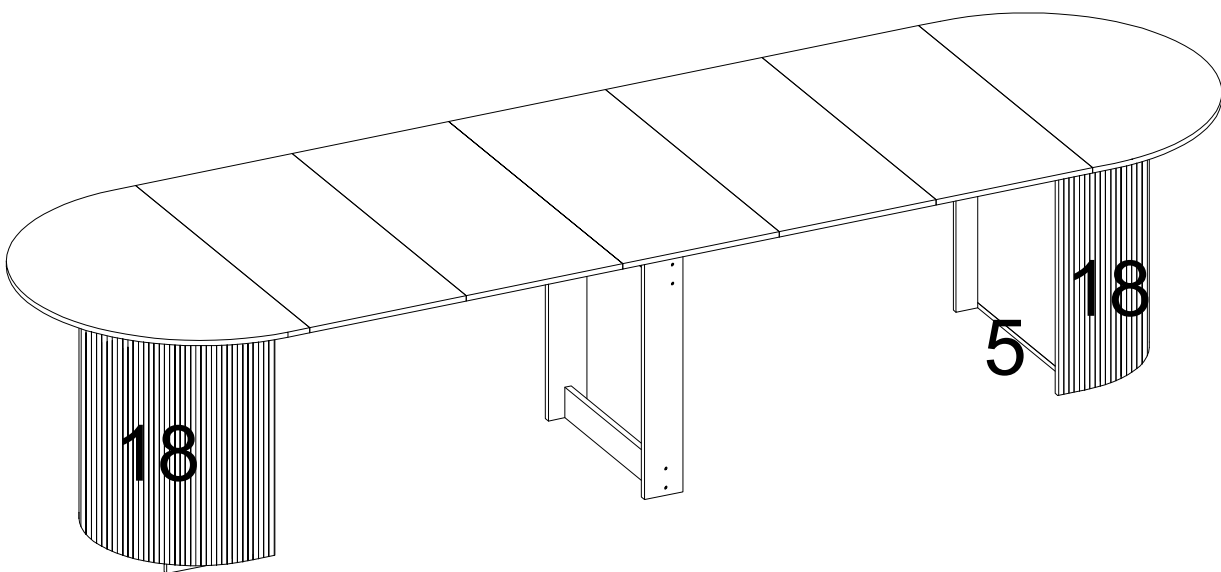
Remove the protective film from the hardware L2



Stick L2 on the side of No.4 No.5 No.6



STEP 19



Stick 18 on the side of No.4 No.5 No.6