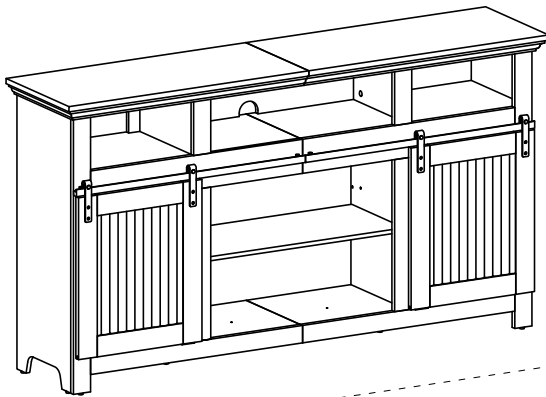


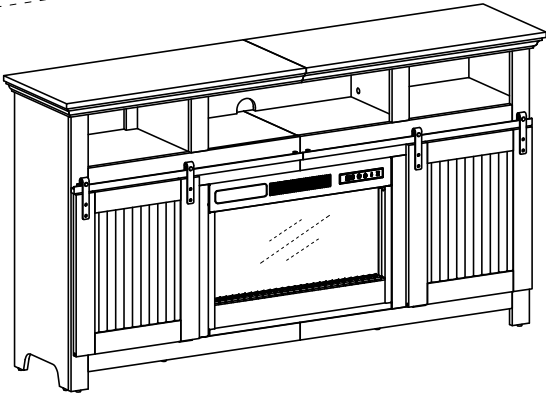
**ASSEMBLY  
INSTRUCTION**

**61" TV Stand/Fireplace TV stand**

**A**



**B**



## HELPFUL HINTS

### ⚠️ BEFORE YOU START

- Inspect product packaging to ensure the appearance is good.
- Read the assembly instruction carefully and follow it step by step.
- To avoid any scratching, putting a soft blanket on the floor is suggested.
- Identify, sort and count all the parts with tags.
- Find out installation position according to the drawing and install it in correct steps.



### OTHER

- People needed for assembly: 1-2.
- Estimated assembly time: 0.5-1h.

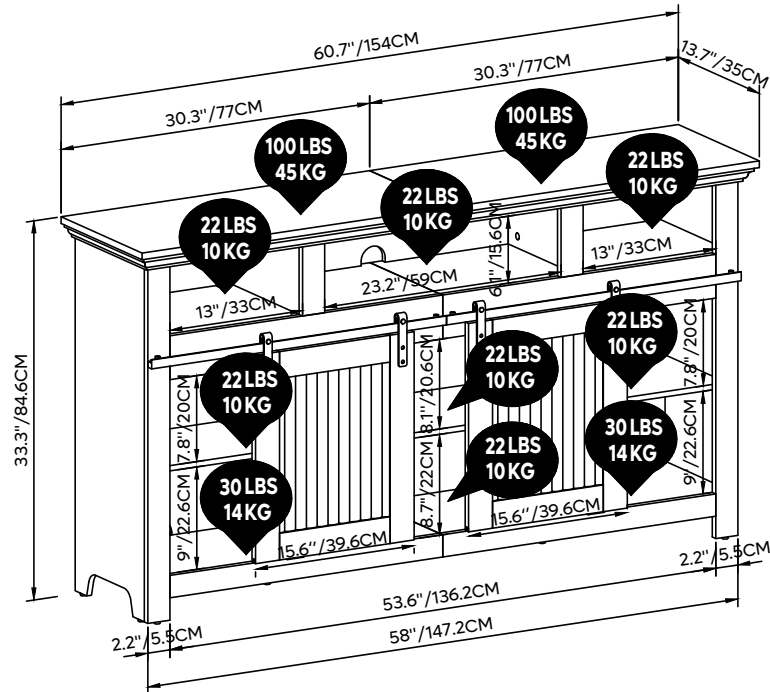
### ⚠️ CAUTION

- Be cautious when using a power drill or power screwdriver.
- Please be aware to slow down and stop when screw is nearly tight.
- Do Not use any harsh chemicals or abrasive cleaners for this item.
- Push, pull or drag this item carefully.

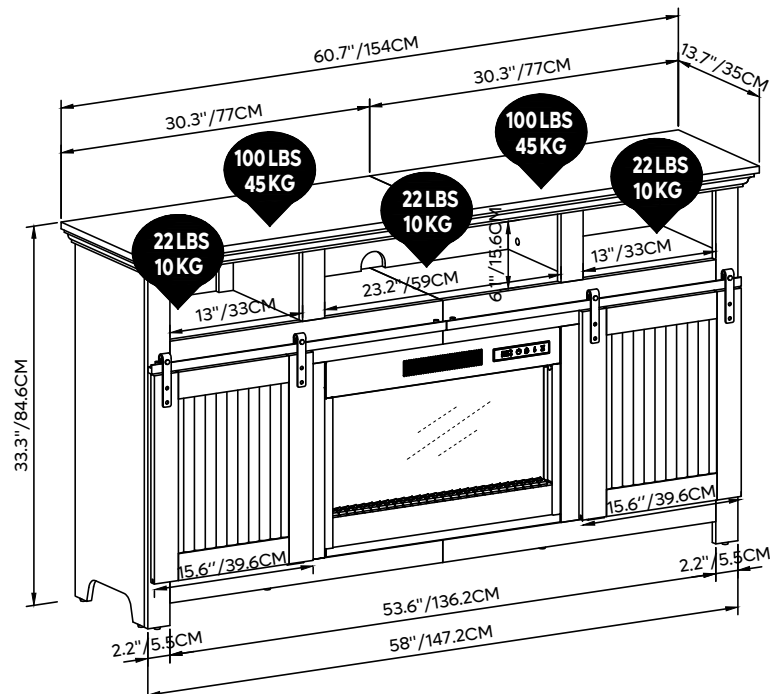
## DETAILS

UNIT: INCH/CM

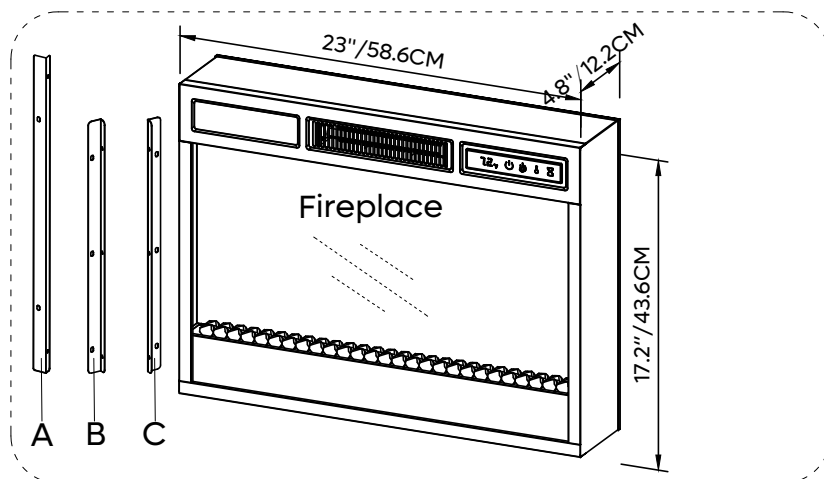
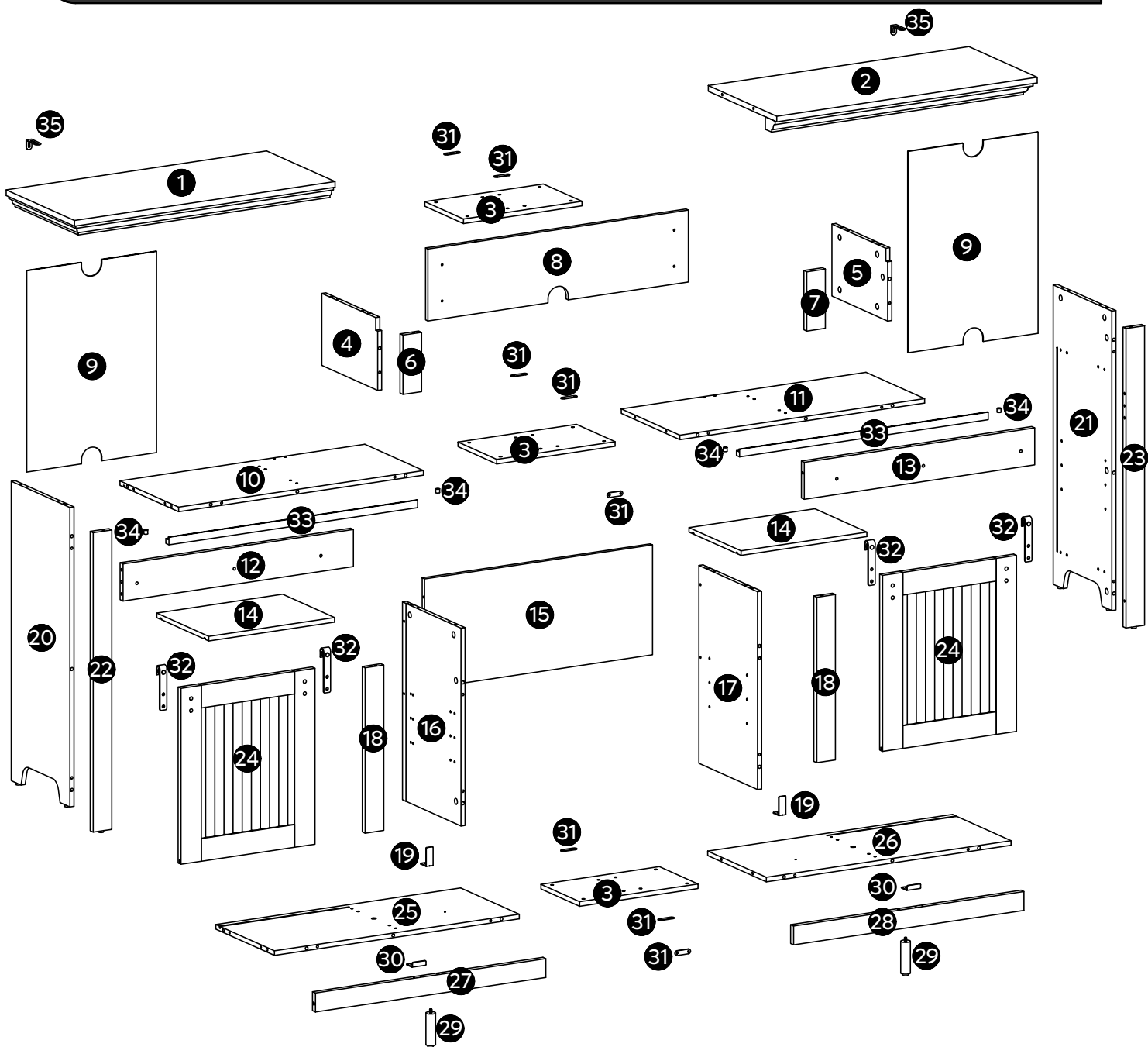
A



B



# DETAILS



# PART LIST

1



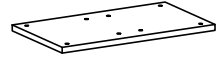
X1

2



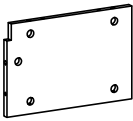
X1

3



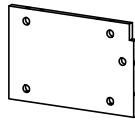
X3

4



X1

5



X1

6



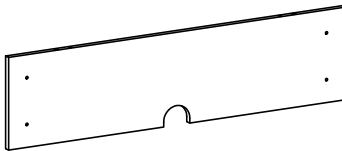
X1

7



X1

8



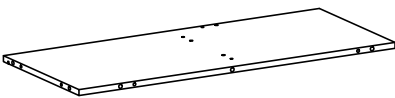
X1

9



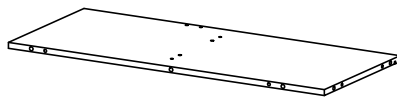
X2

10



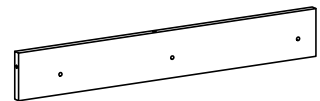
X1

11



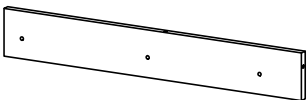
X1

12



X1

13



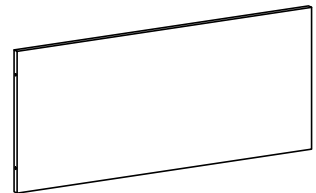
X1

14



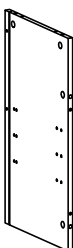
X2

15



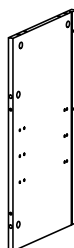
X1

16



X1

17



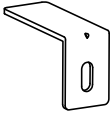
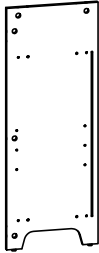
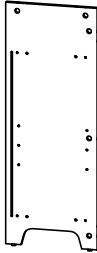


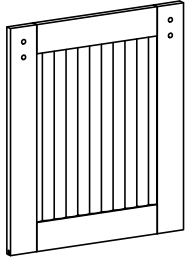
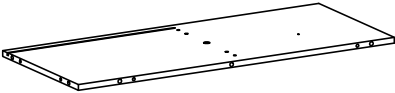
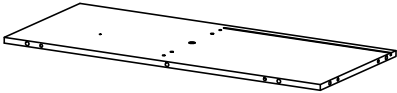




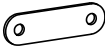
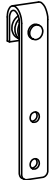
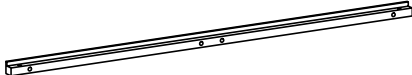

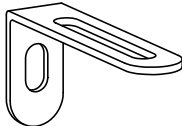
X1

18



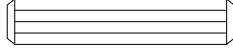
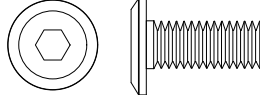
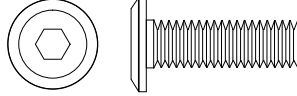
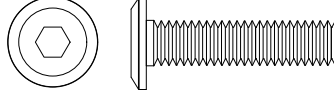
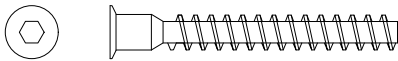
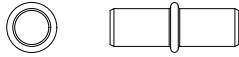



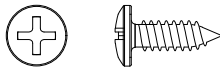
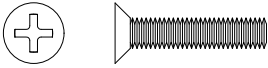
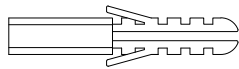
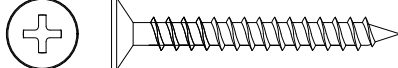


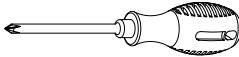


X2

# PART LIST

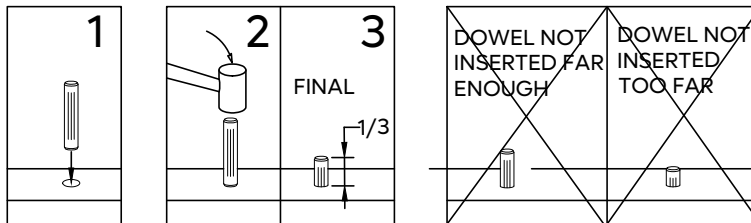
<p>19</p>  <p>X2</p>	<p>20</p>  <p>X1</p>	<p>21</p>  <p>X1</p>
<p>22</p>  <p>X1</p>	<p>23</p>  <p>X1</p>	<p>24</p>  <p>X2</p>
<p>25</p>  <p>X1</p>	<p>26</p>  <p>X1</p>	<p>27</p>  <p>X1</p>
<p>28</p>  <p>X1</p>	<p>29</p>  <p>X2</p>	<p>30</p>  <p>X2</p>
<p>31</p>  <p>X8</p>	<p>32</p>  <p>X4</p>	<p>33</p>  <p>X2</p>
<p>34</p>  <p>X4</p>	<p>35</p>  <p>X2</p>	

# ACCESSORY LIST

<b>A</b>	ST6x33mm	54+2	
<b>B</b>	Ø15mm	54+2	
<b>C</b>	Ø6x30mm	72+4	
<b>D</b>	M6x15mm	8+1	
<b>E</b>	M6x20mm	24+2	
<b>F</b>	M6x25mm	6+1	
<b>G</b>	ST5x38mm	14+2	
<b>H</b>	Ø5x19mm	8+1	
<b>I</b>		8+1	
<b>J</b>	ST3x17mm	8+1	
<b>K</b>	ST3x12mm	20+2	
<b>L</b>	ST4x12mm	12+2	
<b>M</b>	M4x20mm	4	
<b>N</b>	Ø6mm	2	
<b>O</b>	ST4x38mm	2	
<b>M3</b>	M3	1	
<b>M4</b>	M4	1	
		1	

# Important

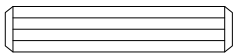
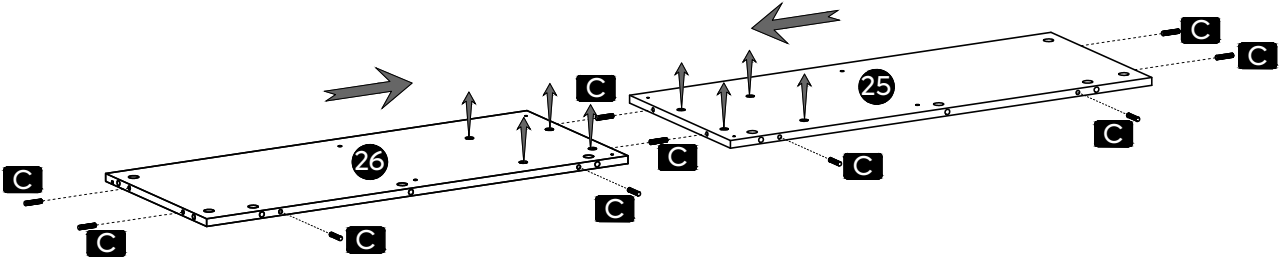
Insert Dowels **ABOUT 2/3** into the Edges of the panels. **IF NECESSARY** tap Dowels Lightly with a rubber mallet.



## Cam Lock/Dowel Placement Supplement

<p><b>1</b></p> <p><b>CORRECT</b></p> <p>When inserting the Cam Lock, make sure that the Open End of the Cam Lock faces the Cam Screw Entry. The Dowel will be inserted in the hole NEXT to the Cam Lock/Cam Screw Hole.</p>	<p><b>2</b></p> <p><b>INCORRECT</b></p> <p>The Cam Lock is backwards in this illustration. The Cam Screw can not connect to the Cam Lock because the Dowel is in the incorrect hole.</p>	<p><b>3</b></p> <p>To tighten, turn the Cam Lock <b>CLOCKWISE</b> until the arrow signs point <b>AWAY</b> from the connected Panel.</p> <p><b>※NOTE: DO NOT USE AN AUTOMATIC SCREWDRIVER TO TIGHTEN CAM LOCKS, DO NOT OVER-TIGHTEN.</b></p>
--	--	---

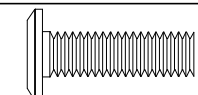
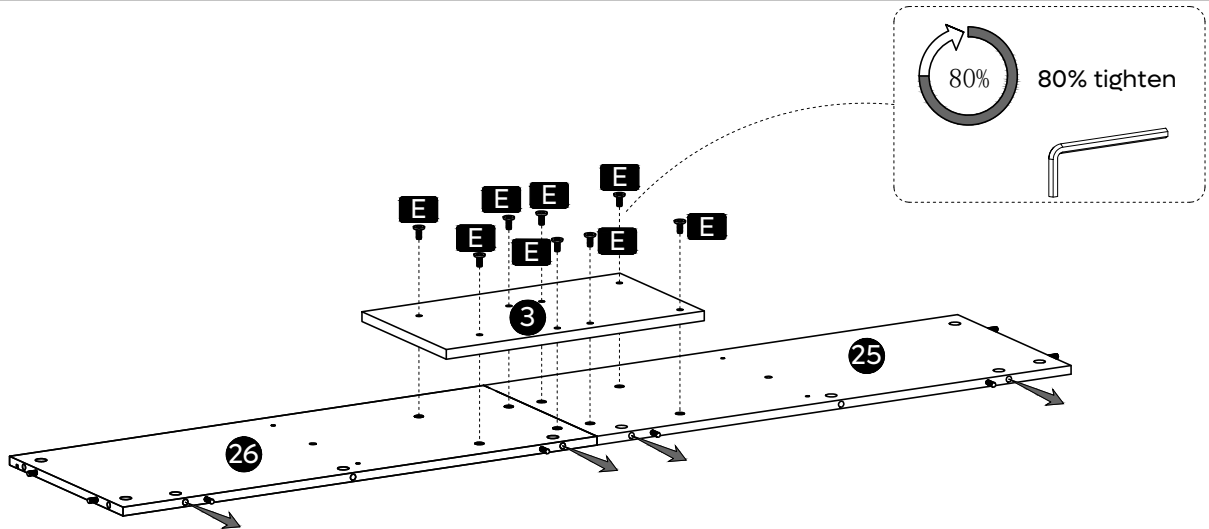
1



x10

**C** Ø6x30mm

2



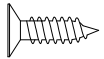
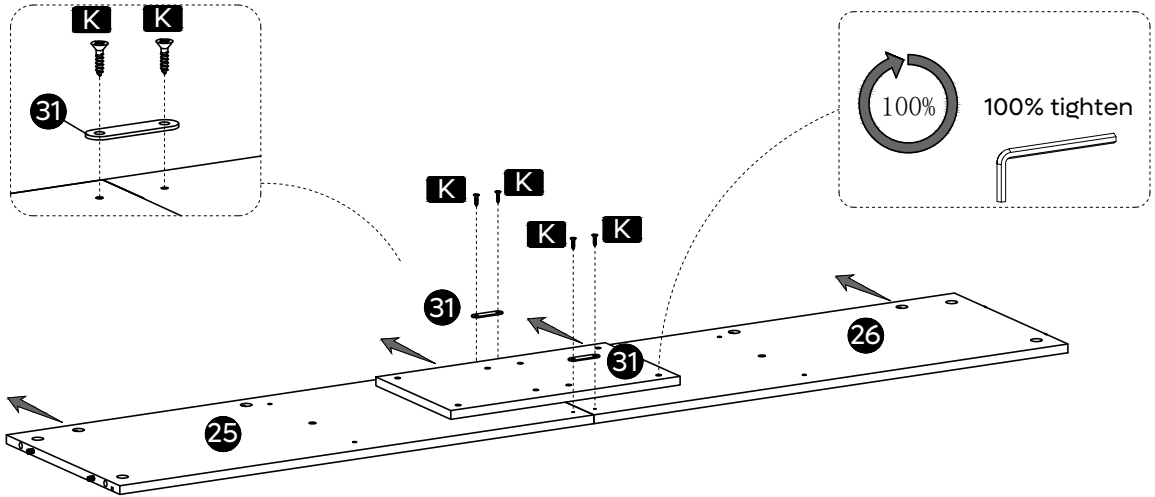
x8

**E** M6x20mm



M4

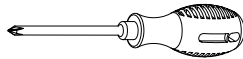
### 3



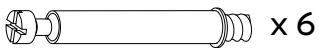
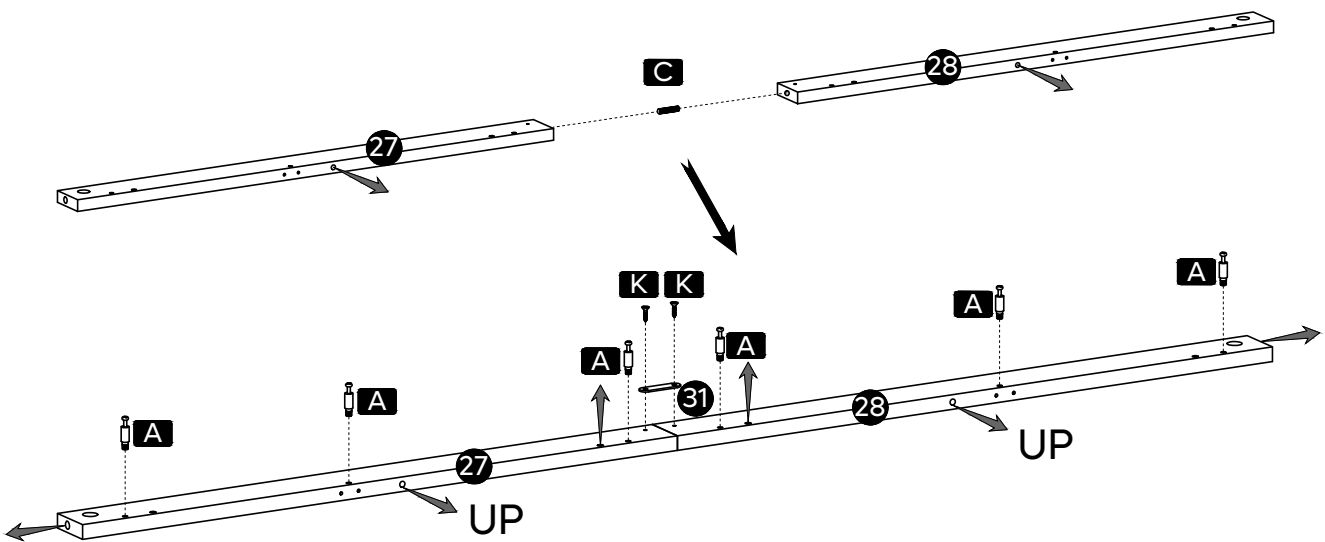
x 4



ST3x12mm

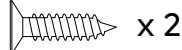


### 4



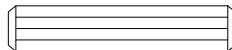
x 6

**A** ST6x33mm



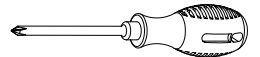
x 2

**K** ST3x12mm

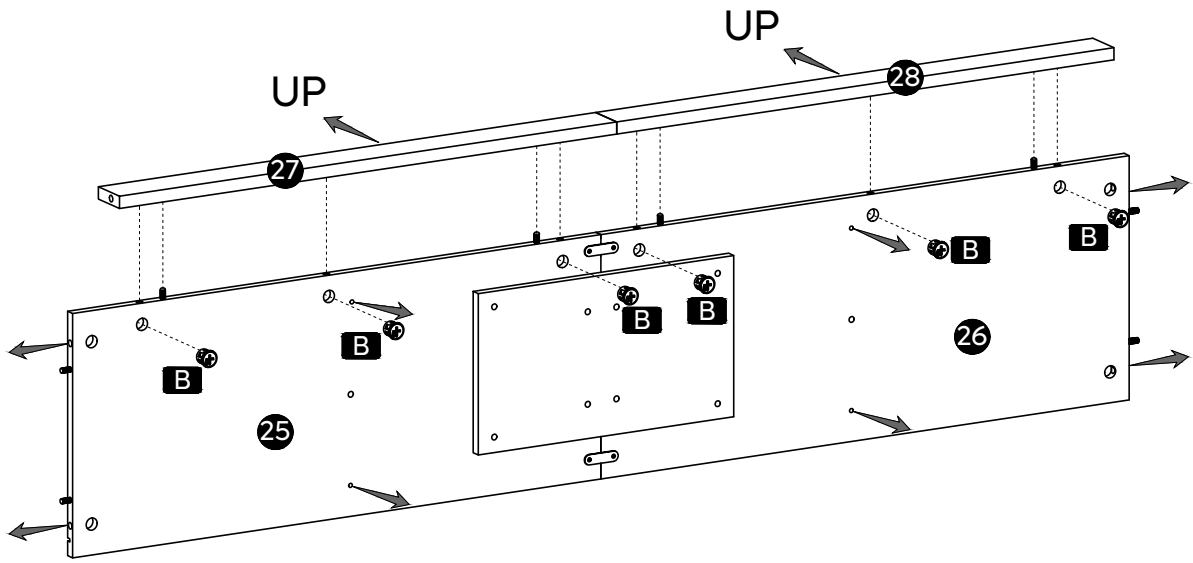


x 1

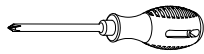
**C** Ø6x30mm



# 5

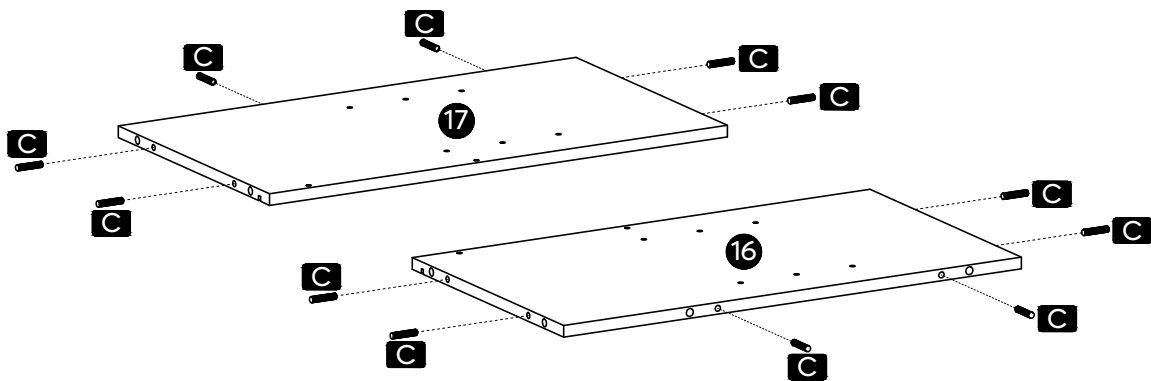


x 6



**B** Ø15mm

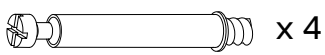
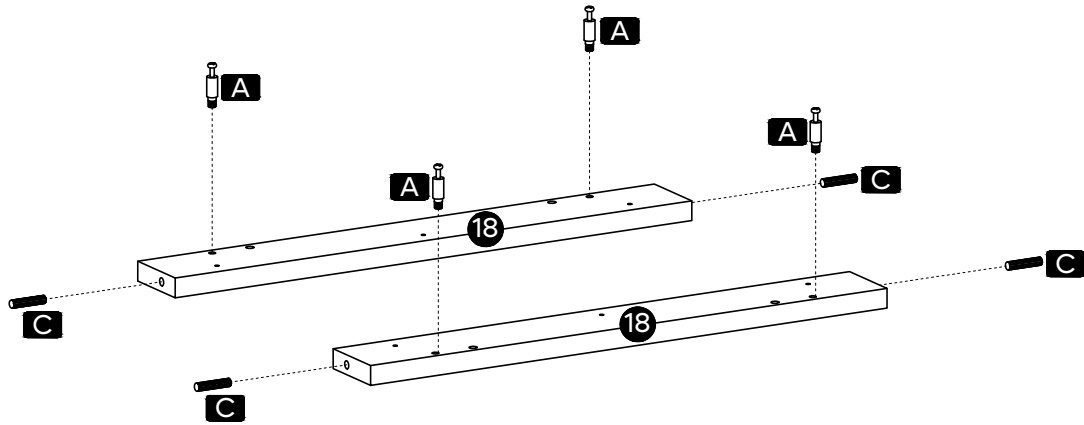
# 6



x12

**C** Ø6x30mm

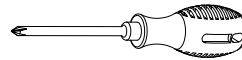
# 7



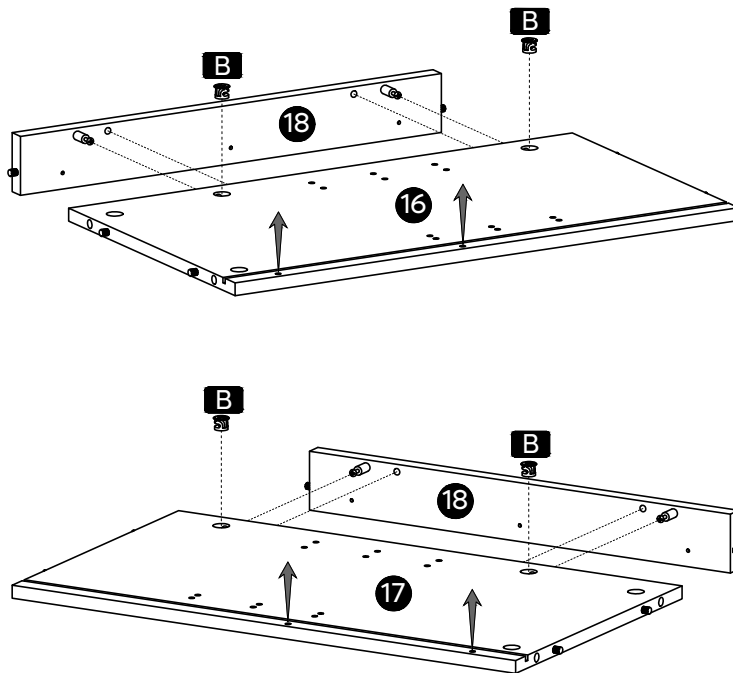
**A** ST6x33mm



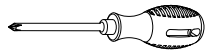
**C** Ø6x30mm



# 8

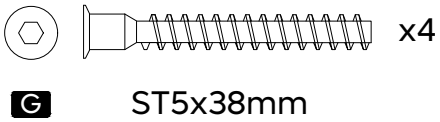
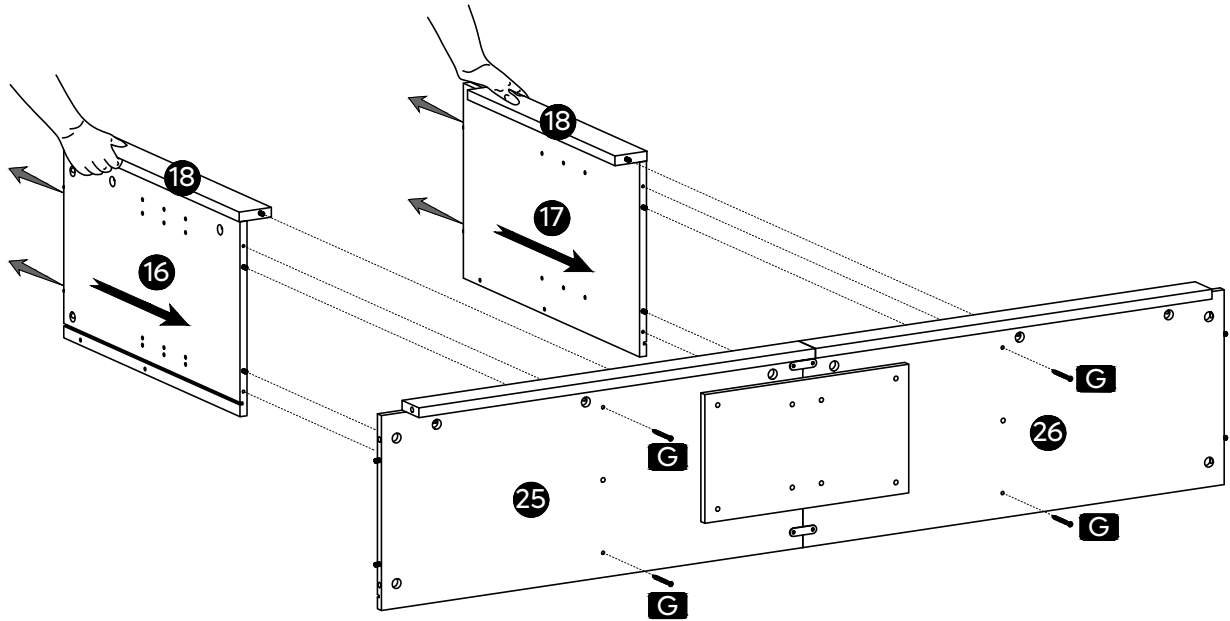


**B** Ø15mm

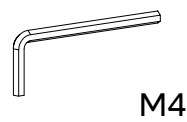
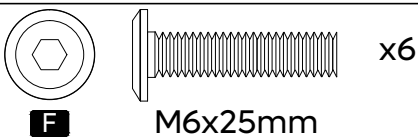
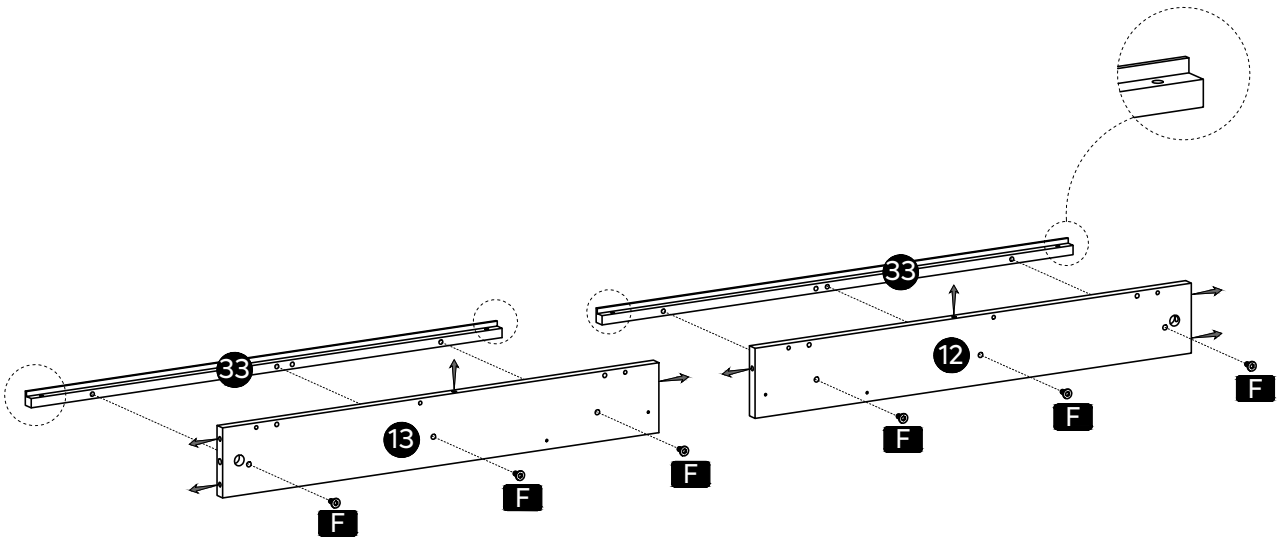


# 9

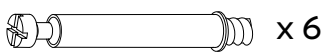
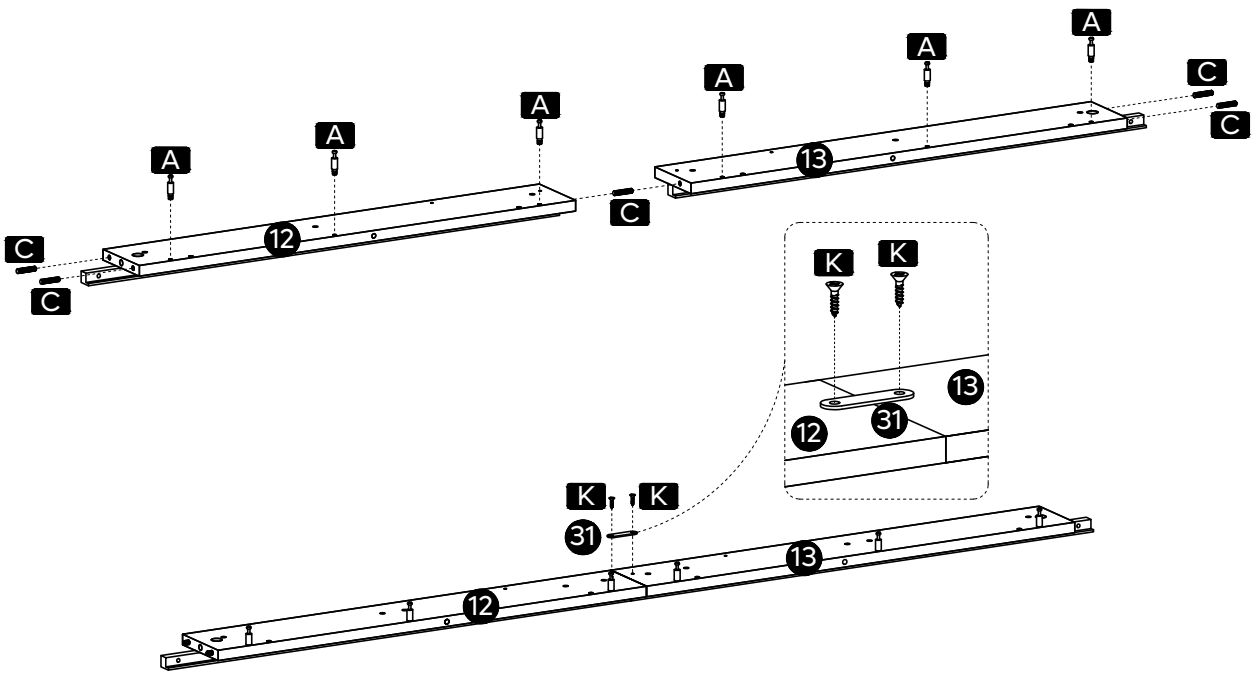
※ Two persons are needed : one person for holding; Then another person move the bottom ,And tighten the screw "G".



# 10



# 11



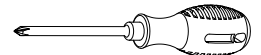
x 6



x 5



x 2

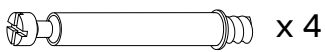
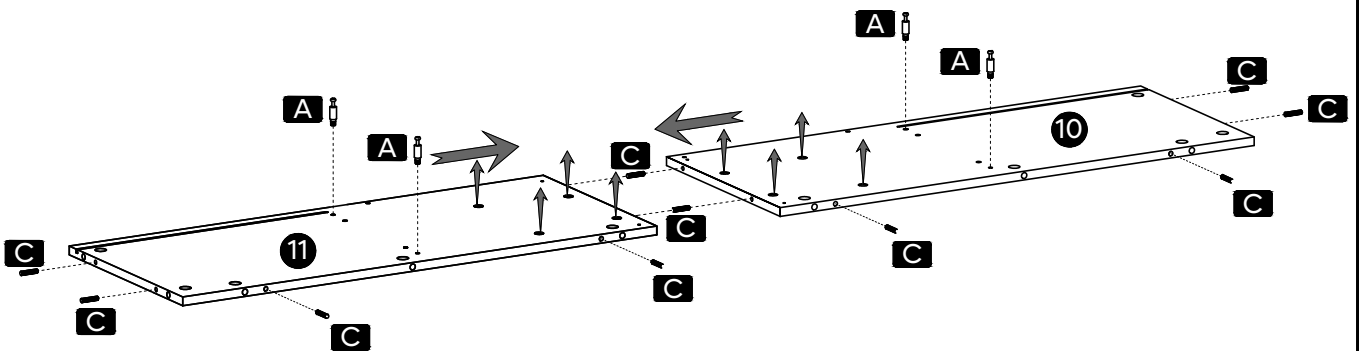


**A** ST6x33mm

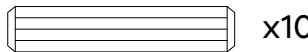
**C** Ø6x30mm

**K** ST3x12mm

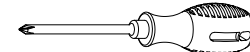
# 12



x 4



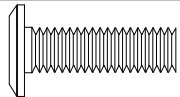
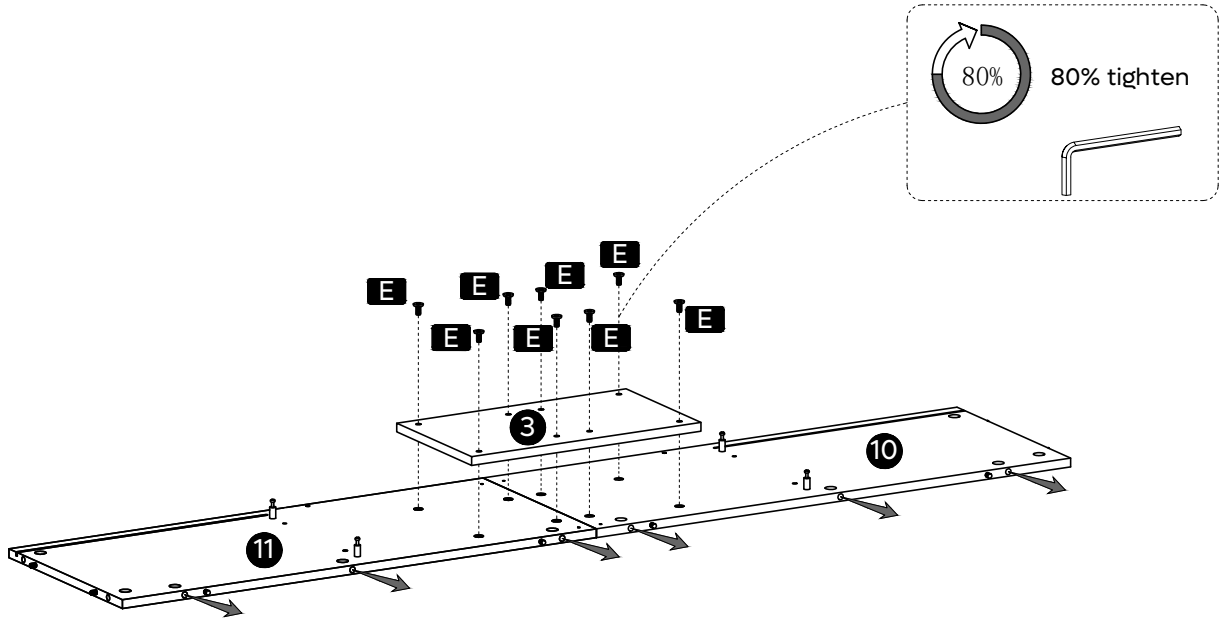
x 10



**A** ST6x33mm

**C** Ø6x30mm

# 13



x8

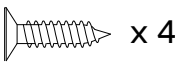
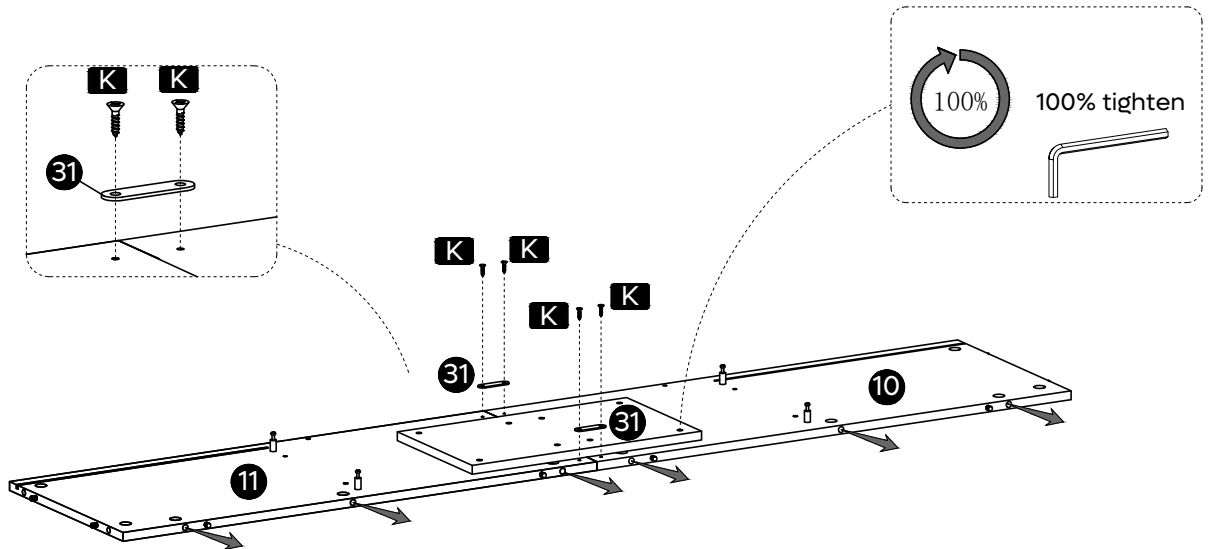
**E**

M6x20mm



M4

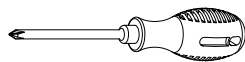
# 14



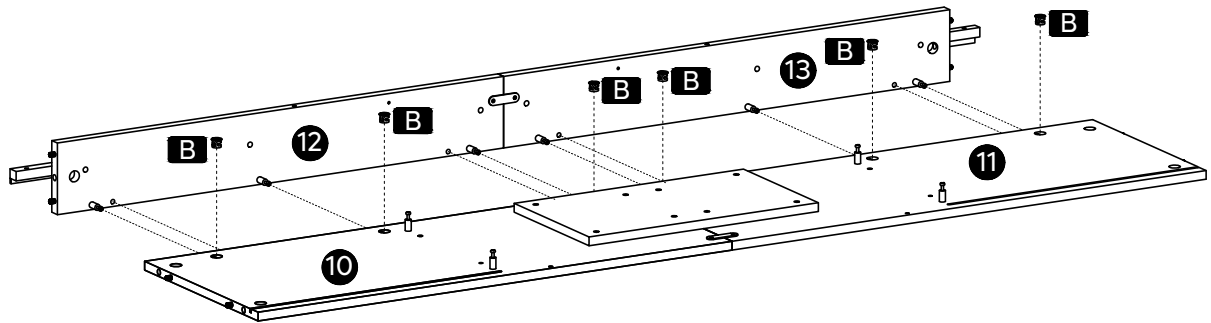
x4

**K**

ST3x12mm

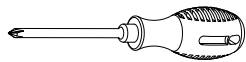


15

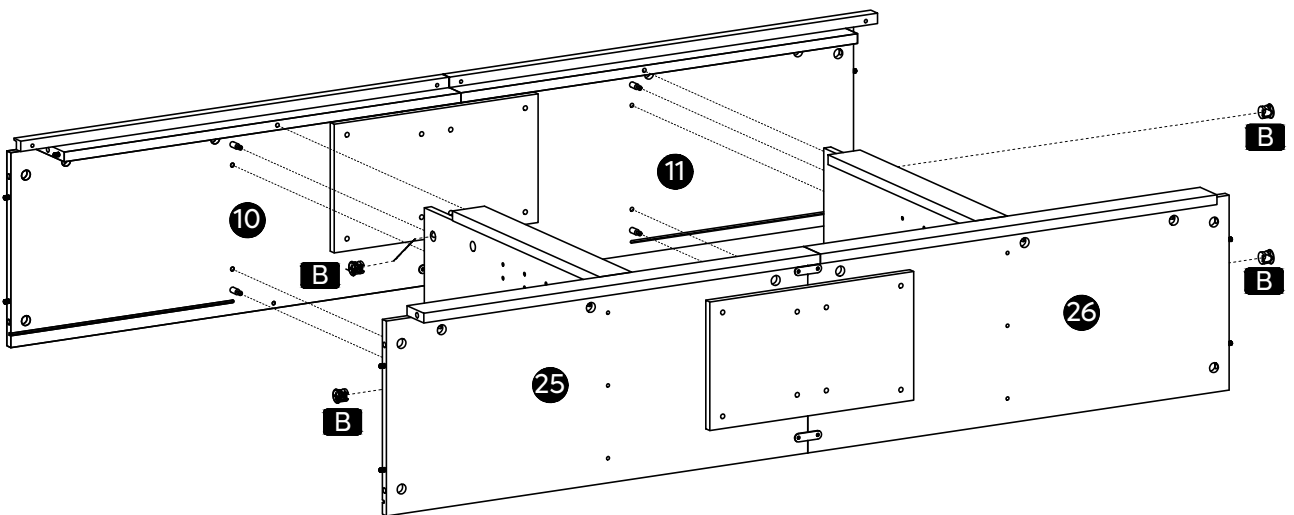


x 6

**B** Ø15mm

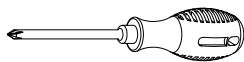


16

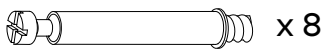
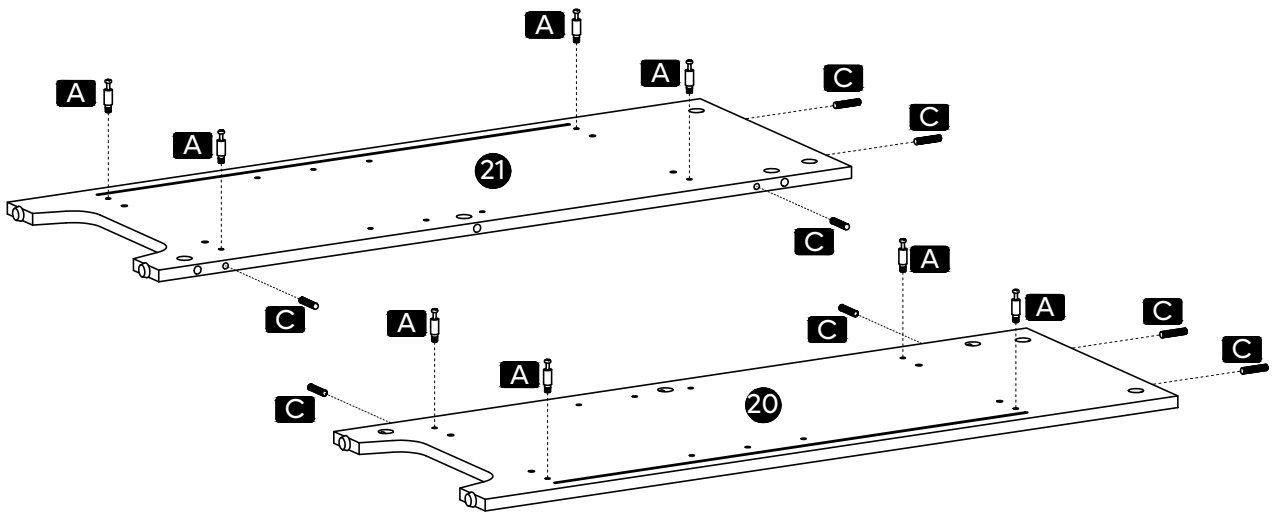


x 4

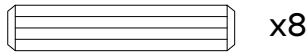
**B** Ø15mm



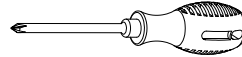
# 17



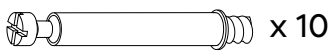
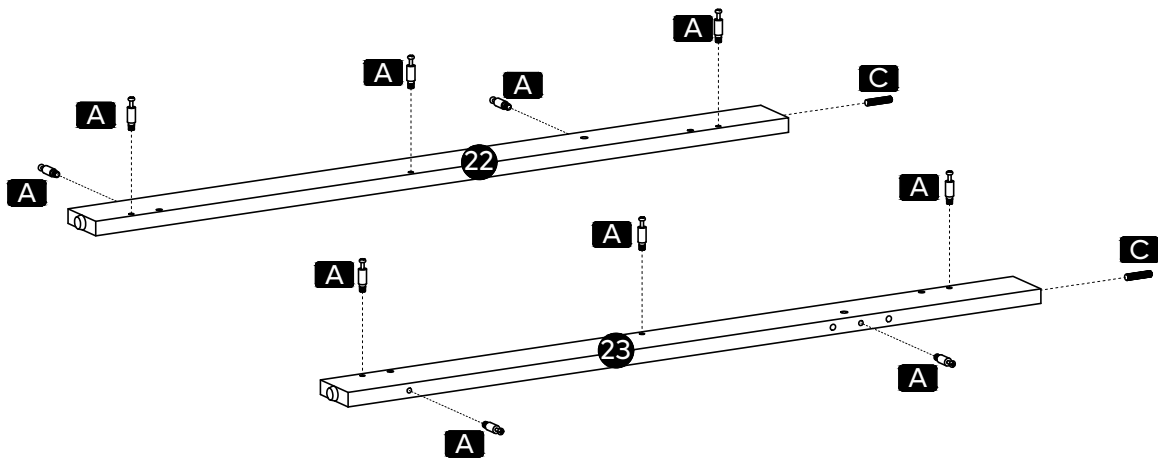
**A** ST6x33mm



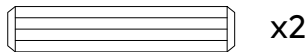
**C** Ø6x30mm



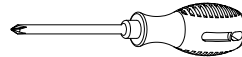
# 18



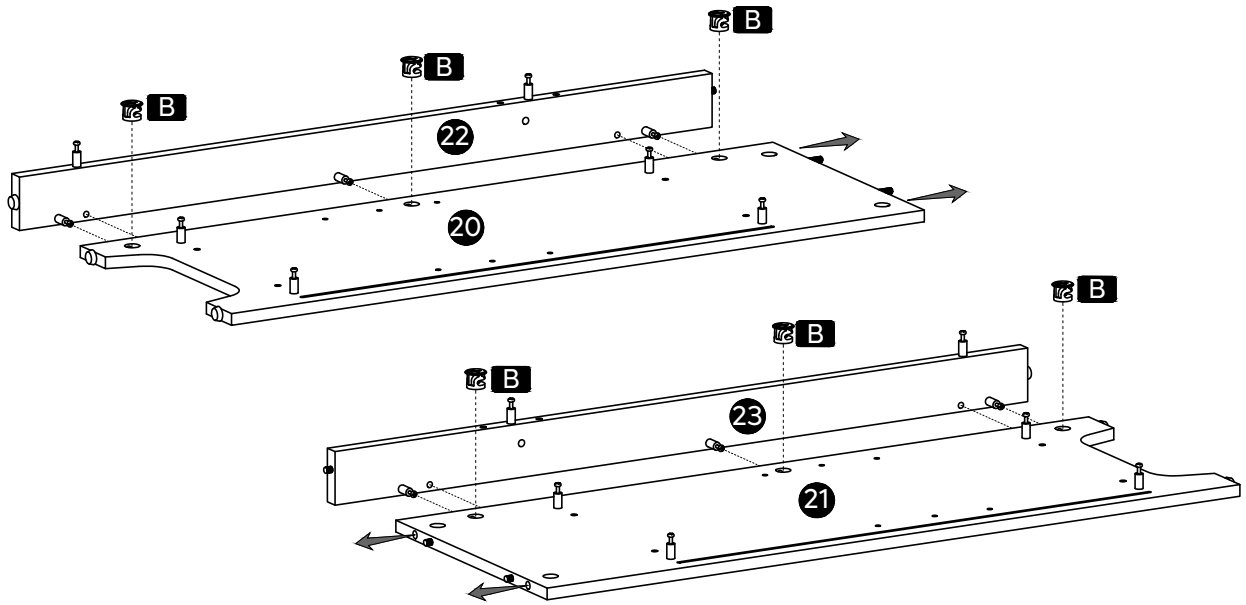
**A** ST6x33mm



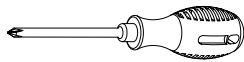
**C** Ø6x30mm



19

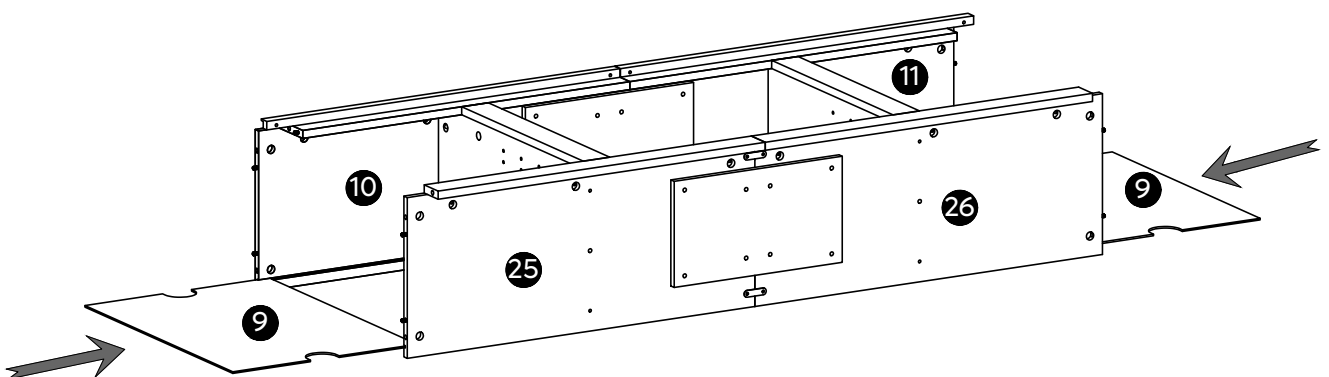


x 6

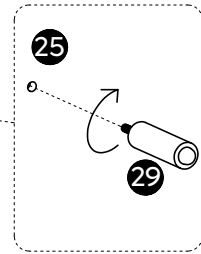
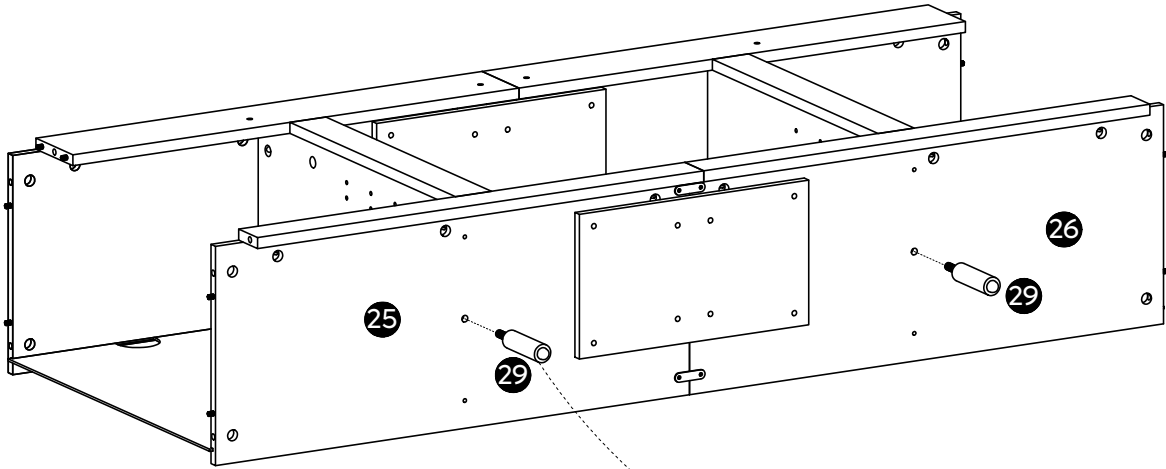


**B** Ø15mm

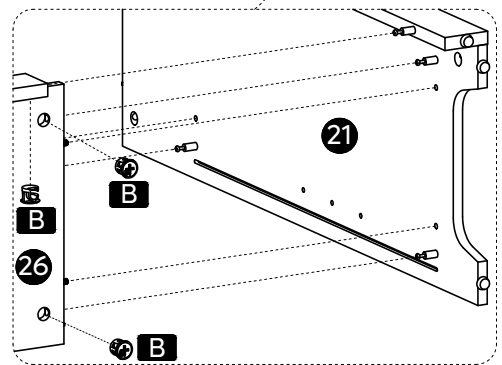
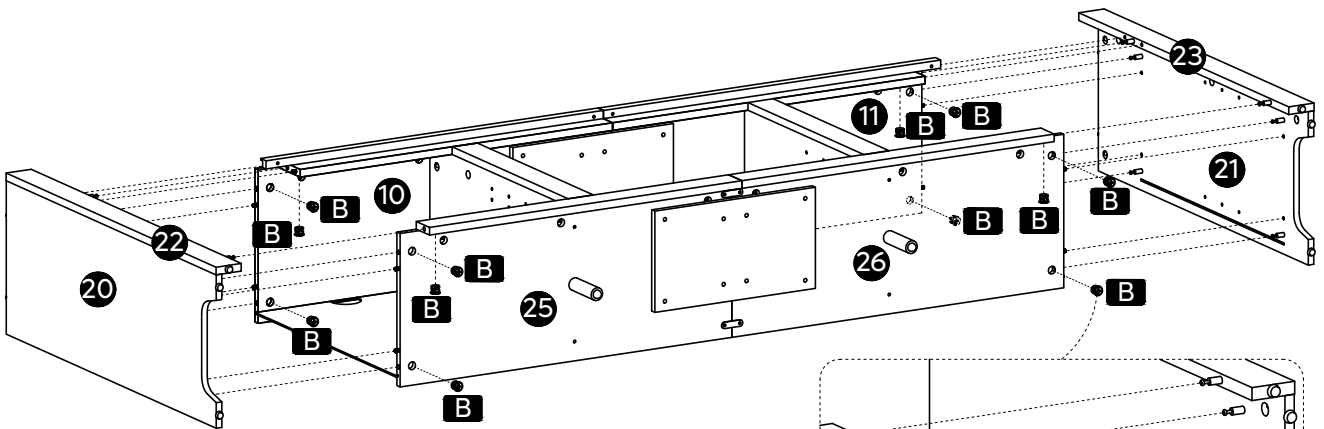
20




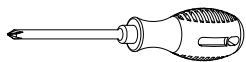
21



22

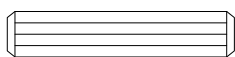
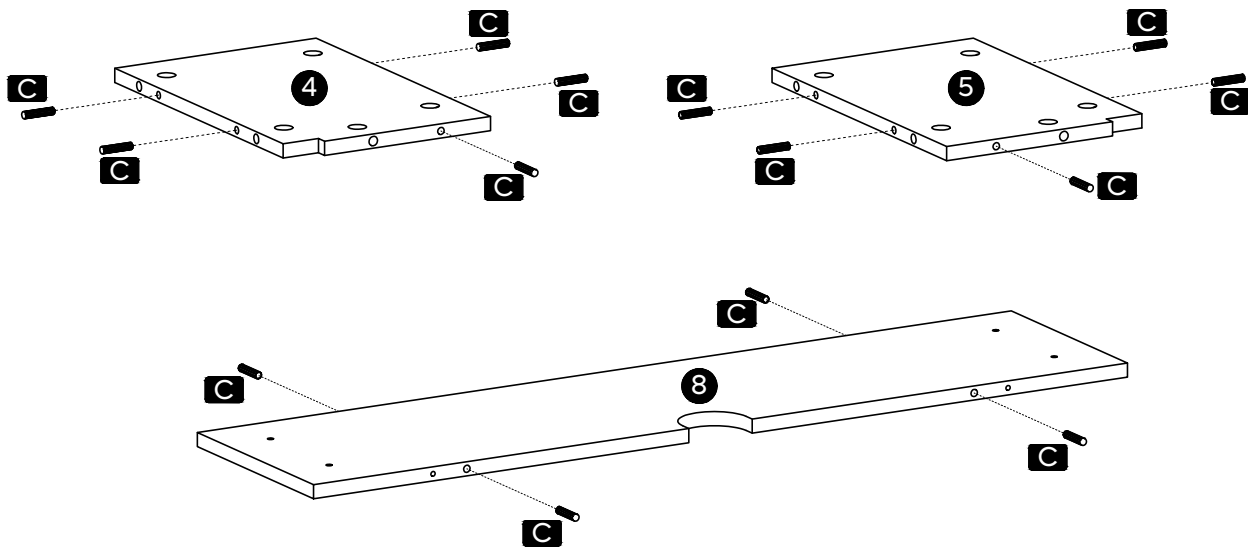


 x 12



**B** Ø15mm

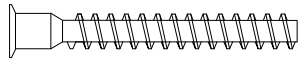
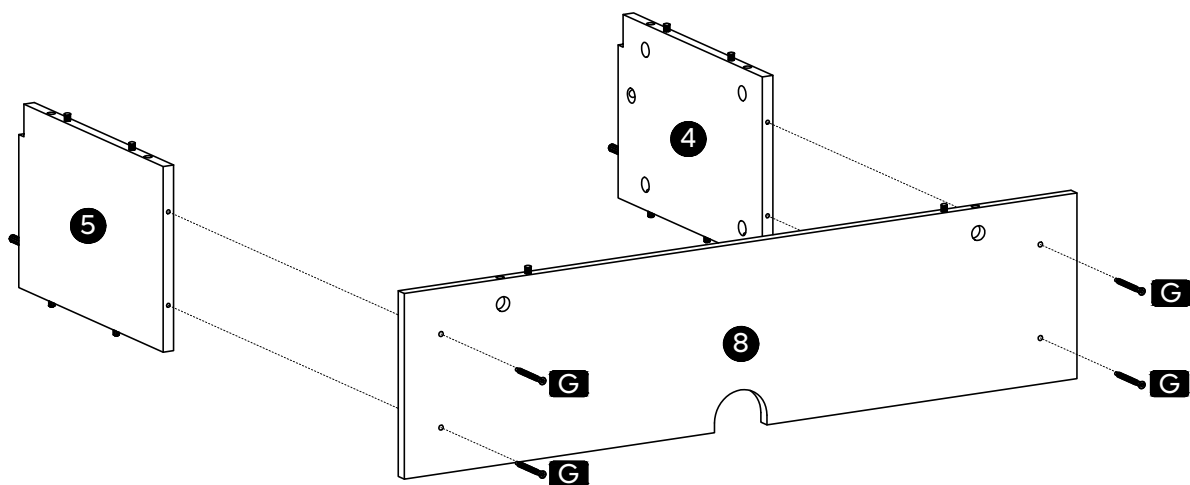
# 23



x14

**C** Ø6x30mm

# 24



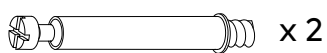
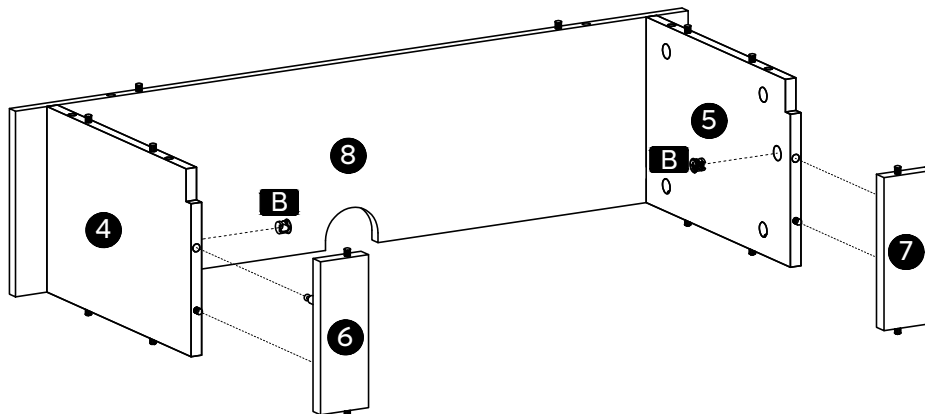
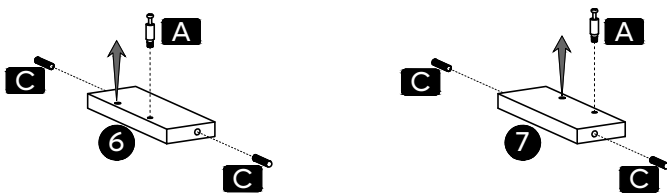
x4

**G** ST5x38mm



M3

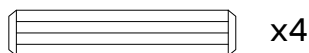
# 25



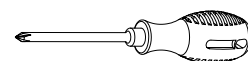
**A** ST6x33mm



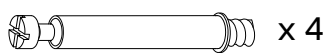
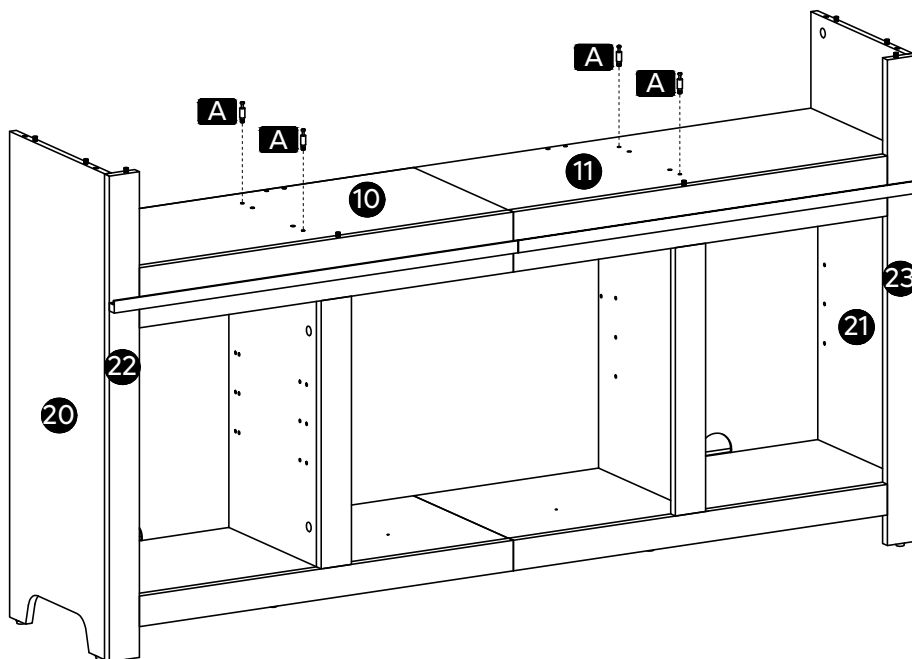
**B** Ø15mm



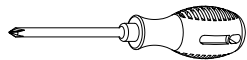
**C** Ø6x30mm



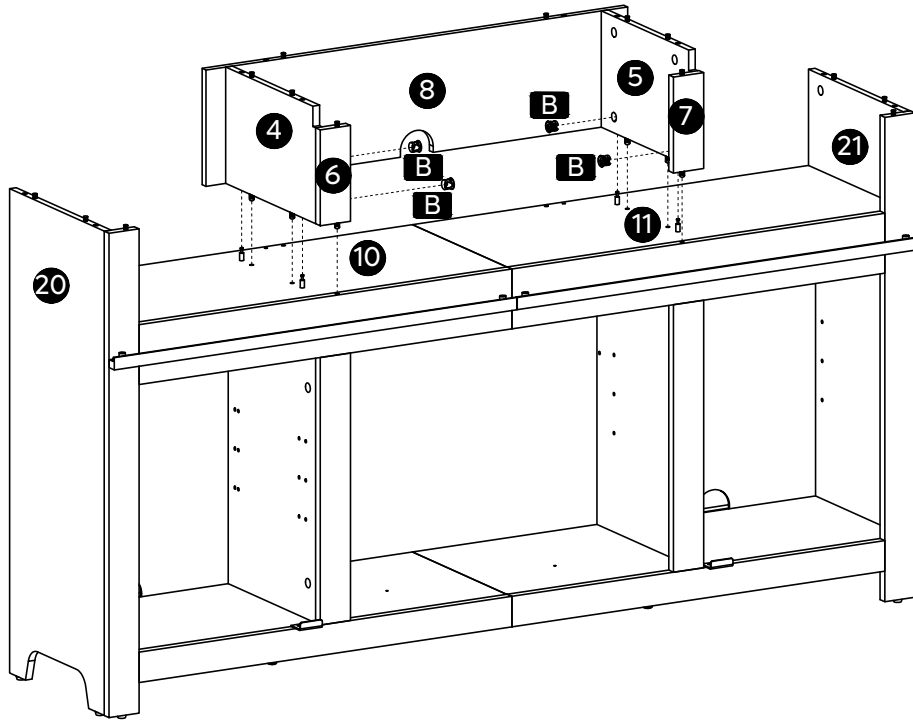
# 26



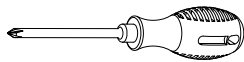
**A** ST6x33mm



27

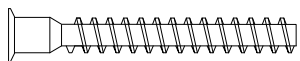
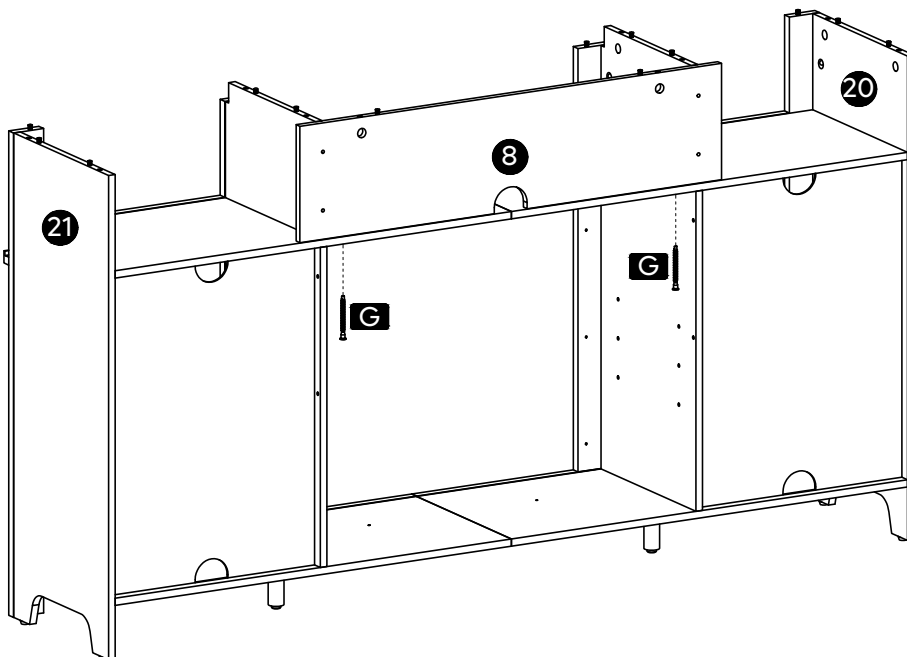


x 4



**B** Ø15mm

28



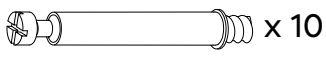
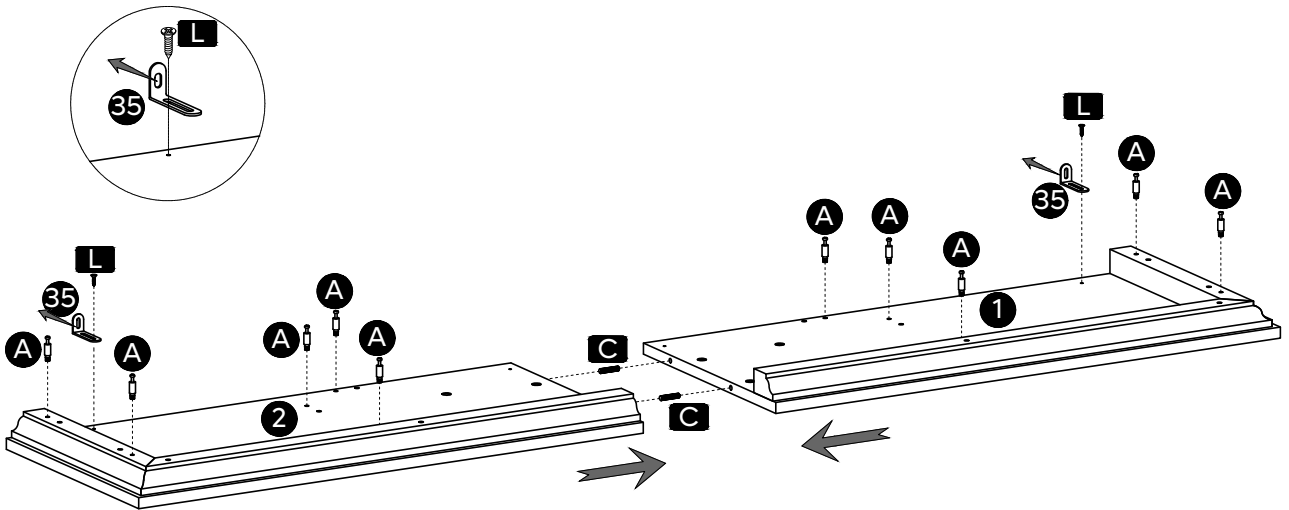
x2

**G** ST5x38mm

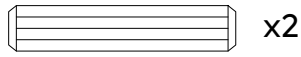


M3

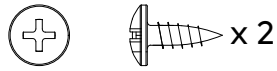
# 29



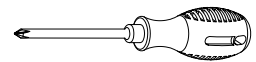
**A** ST6x33mm



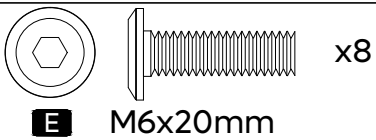
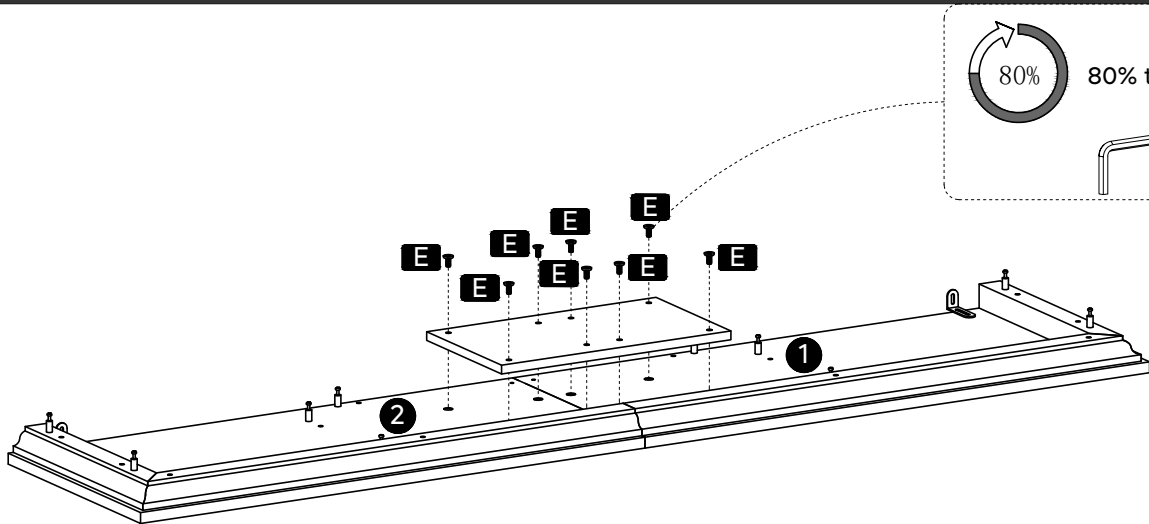
**C** Ø6x30mm



**L** ST4x12mm



# 30

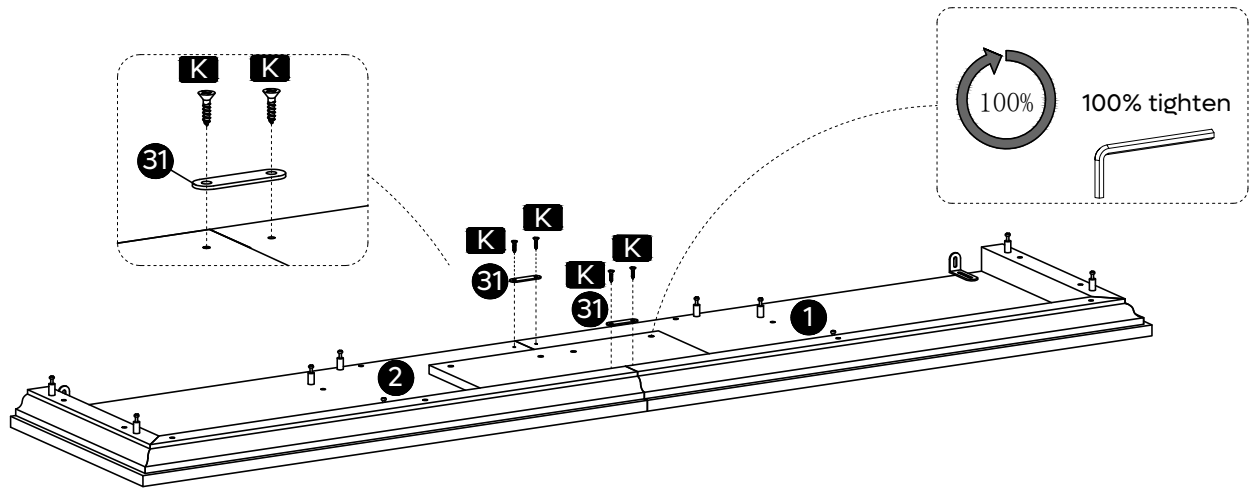


**E** M6x20mm

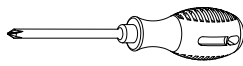


M4

# 31



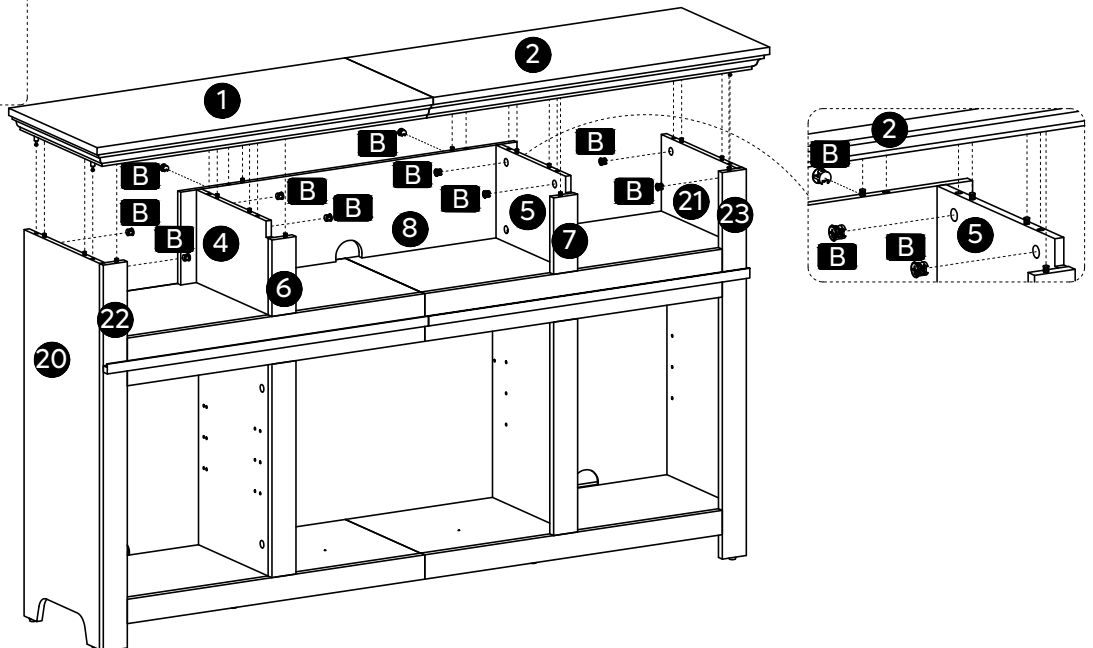
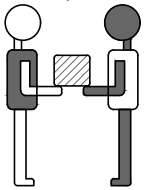
x 4



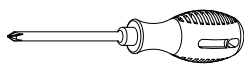
**K** ST3x12mm

# 32

※ Two persons are needed.



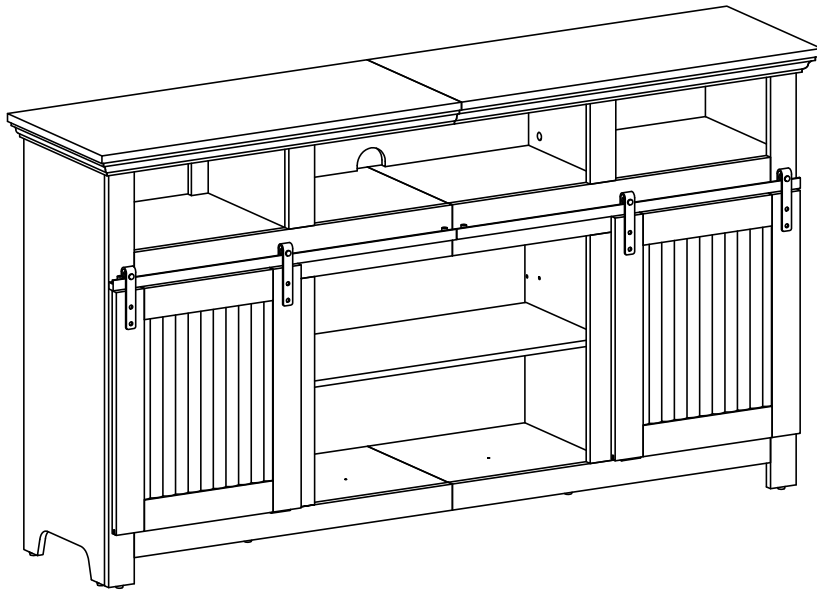
x 10



**B** Ø15mm

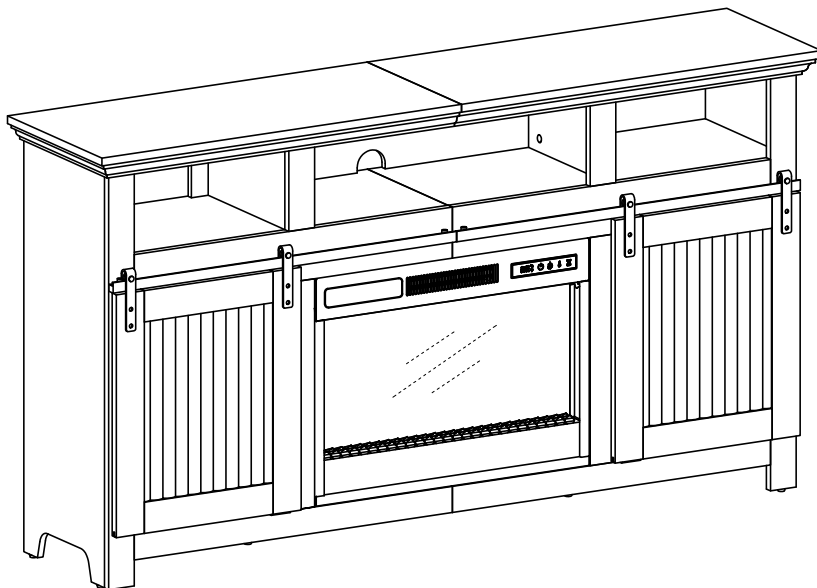
Style A: Step 1-32&33-42

(A)



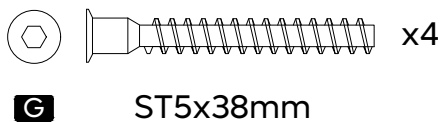
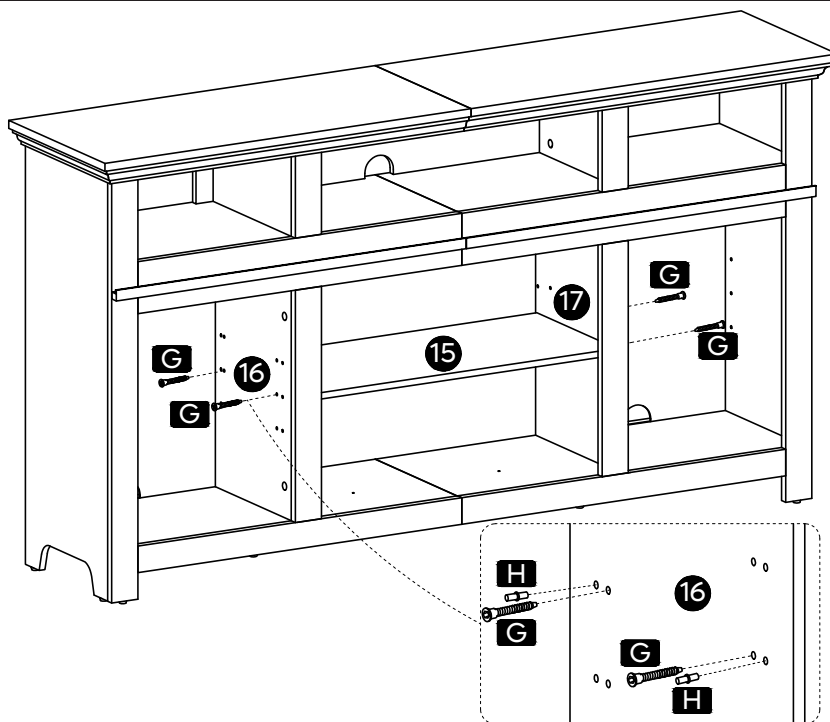
Style B: Step 1-32&43-56

(B)



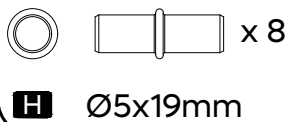
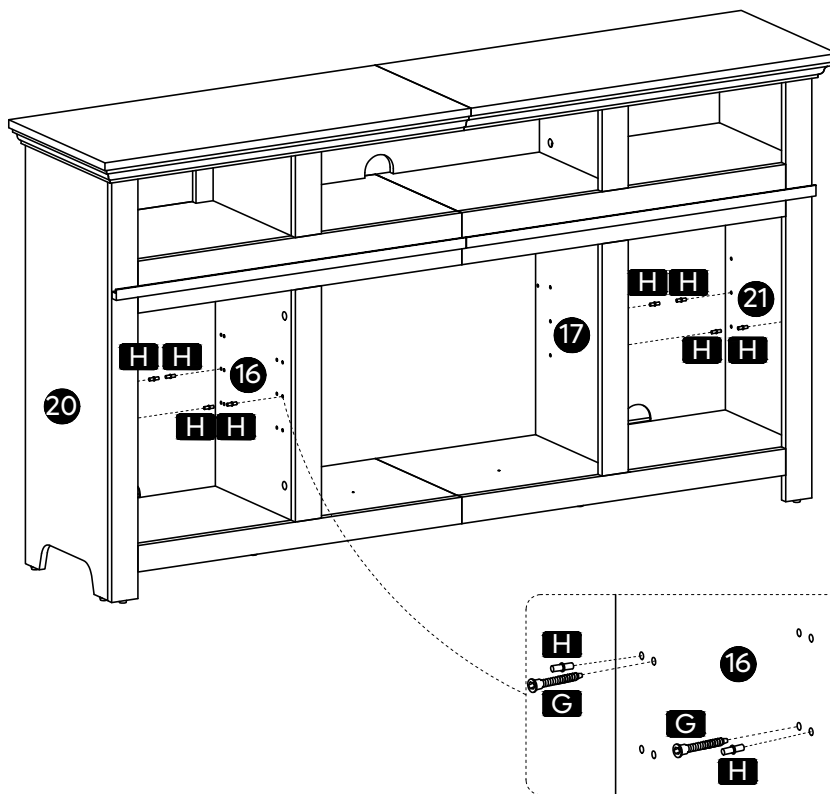
# 33

A



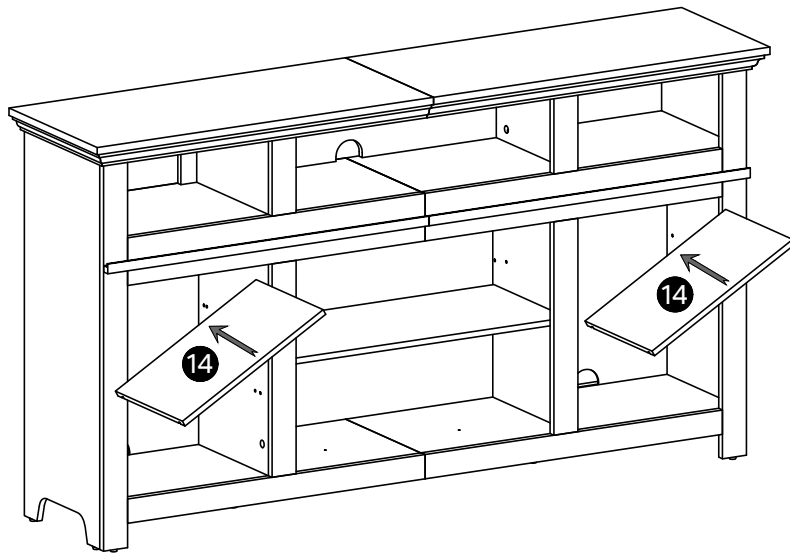
# 34

A



35

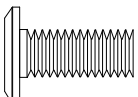
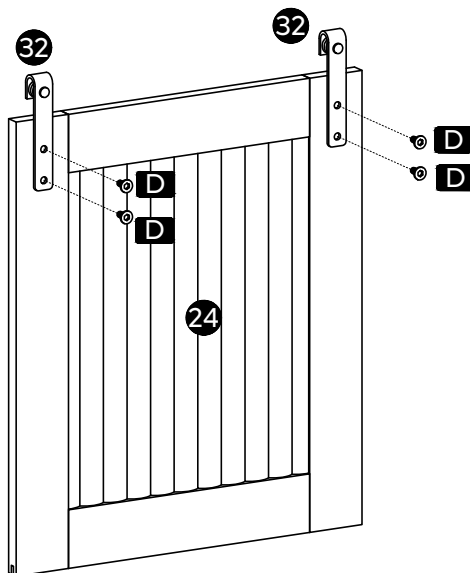
A



36

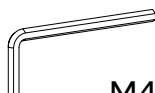
A

x 2



x 8

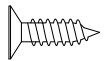
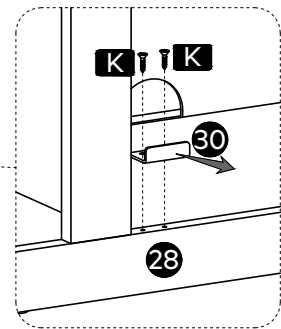
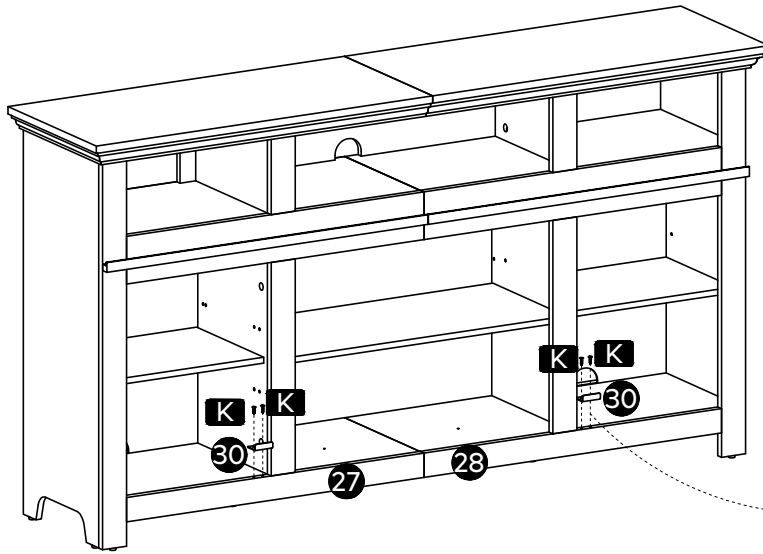
M6x15mm



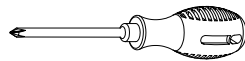
M4

# 37

A



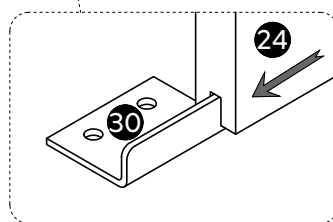
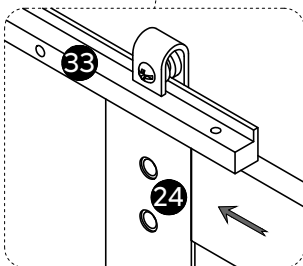
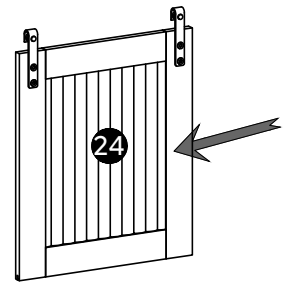
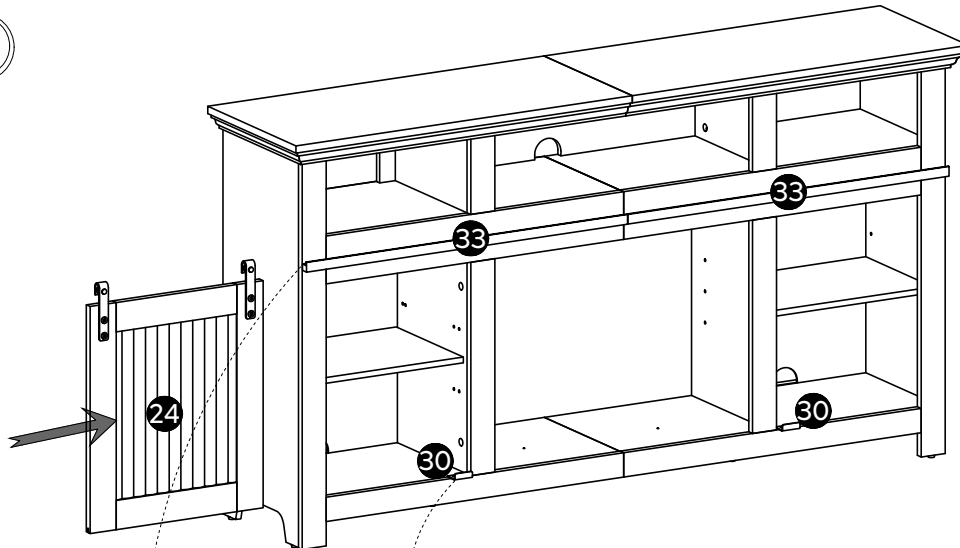
x 4



ST3x12mm

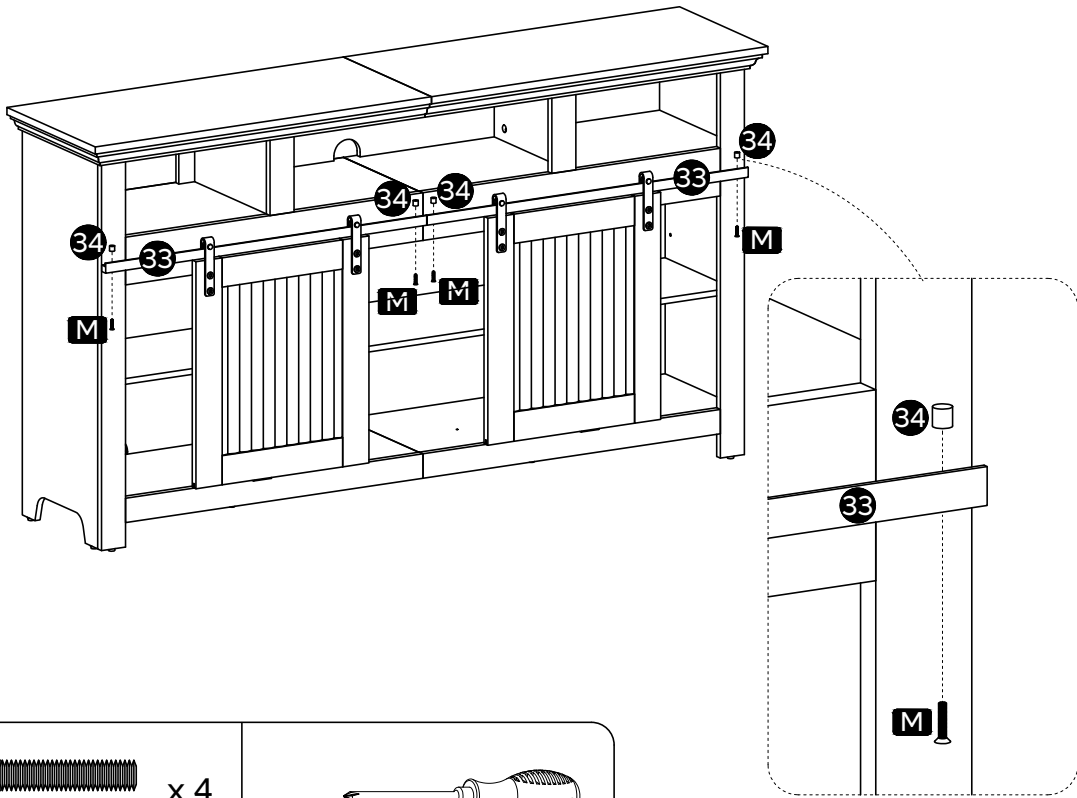
# 38

A

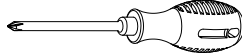


# 39

A



x 4

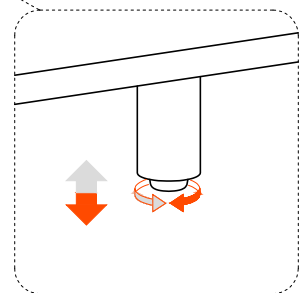
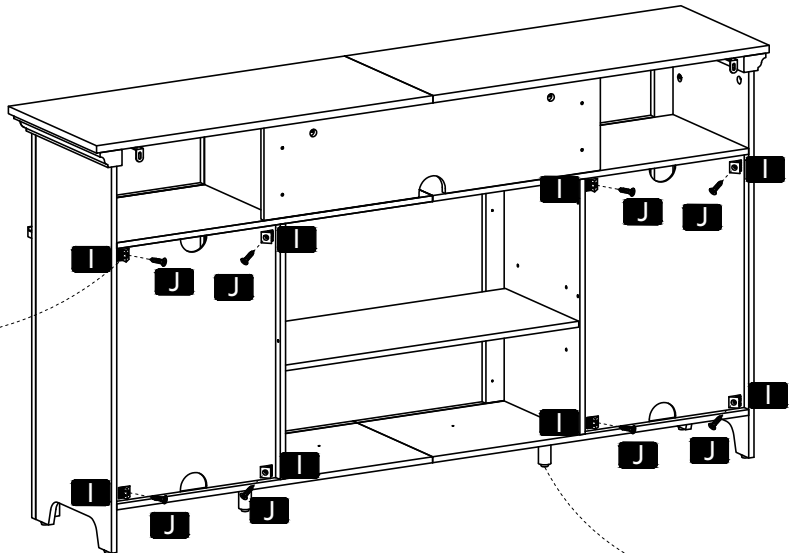
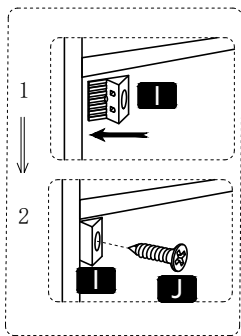


M

M4x20mm

# 40

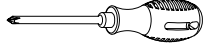
A



x 8



x 8



I

J

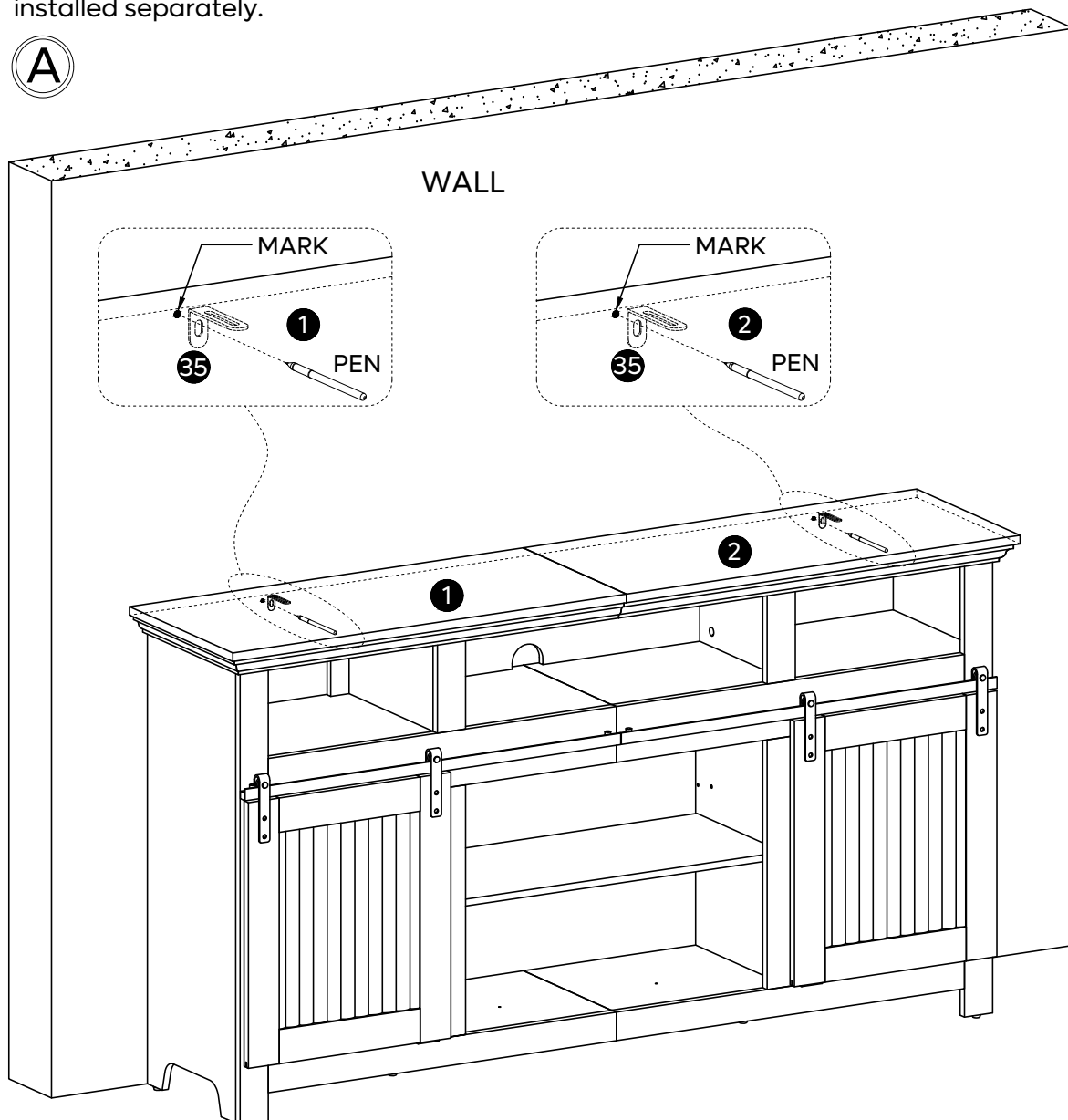
ST3x17mm

## WALL SAFETY STRAP INSTALLATION

Ask for assistance to position the assembled unit at the desired location against a wall. Now, follow the instructions printed on the plastic bag containing the Tipping Restraint Hardware to attach two tipping restraints to the unit and the wall. As shown in the illustration.

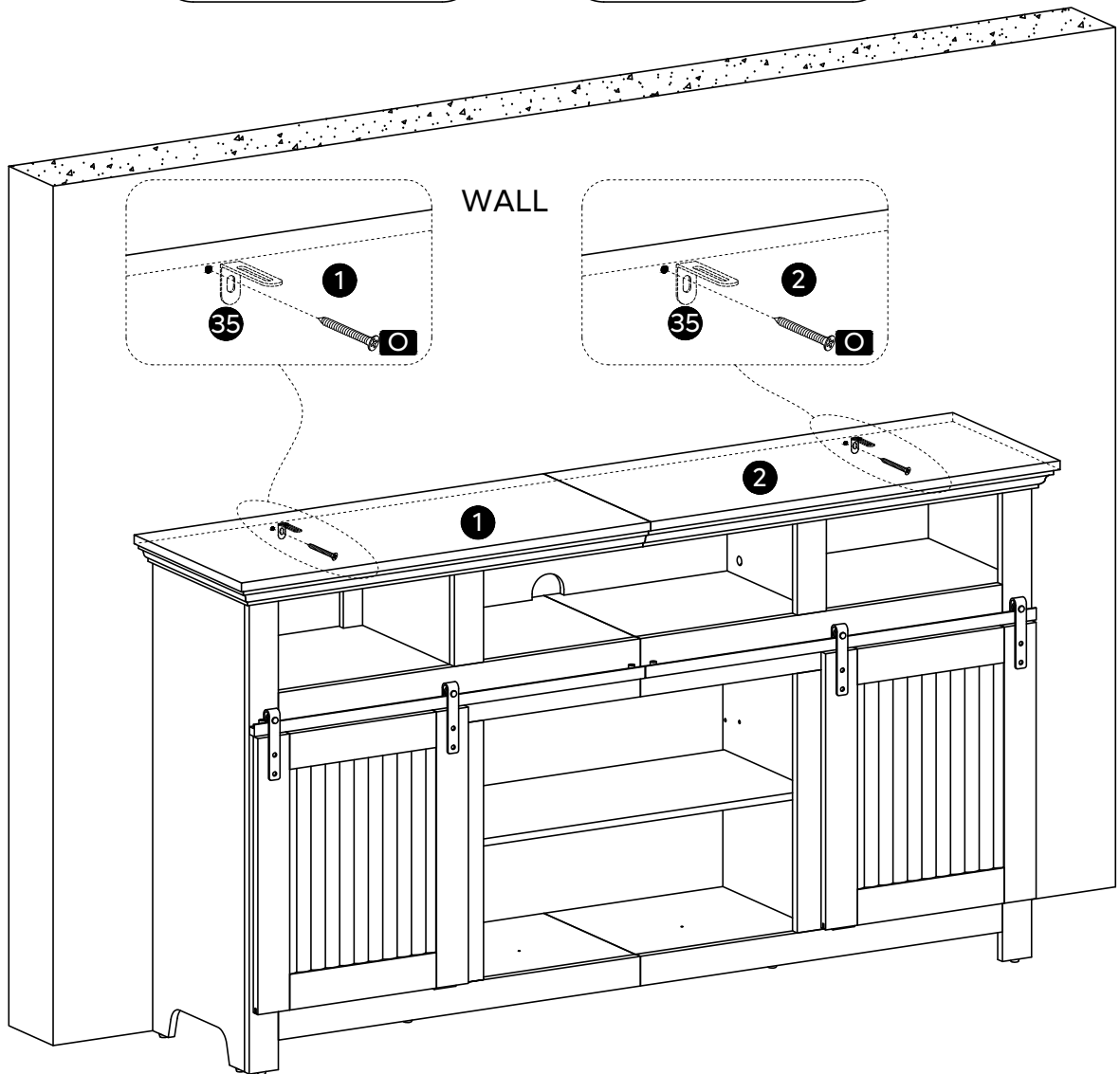
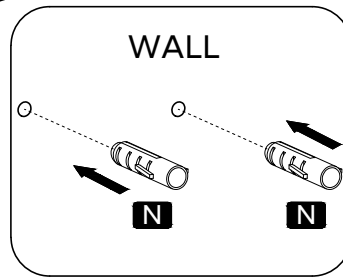
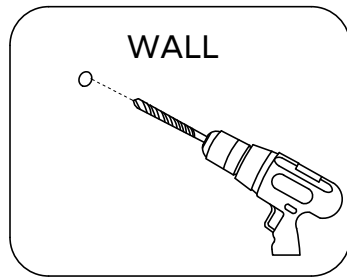
※NOTE: Young children can be seriously injured by tipping furniture. You must install the Tipping Restraint Hardware with the unit to prevent the unit from tipping, causing any accidents or damage. The tipping restraints are intended only as a deterrent, they are not a substitute for proper adult supervision. The tipping restraints are not earthquake restraints. If you wish to add the extra security of earthquake restraints, they must be purchased and installed separately.

A



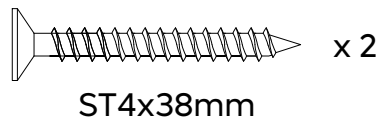
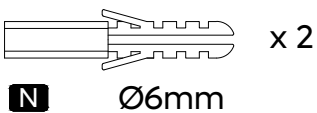
**Tools required:Phillips screwdriver,power Drill,3/8" Drill Bit and Rubber Mallet**

(A)



※ **Please fasten this item to wall for protection and safety.**

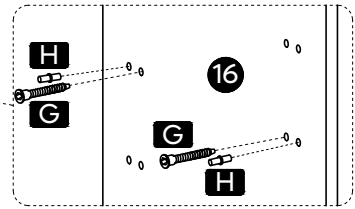
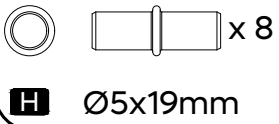
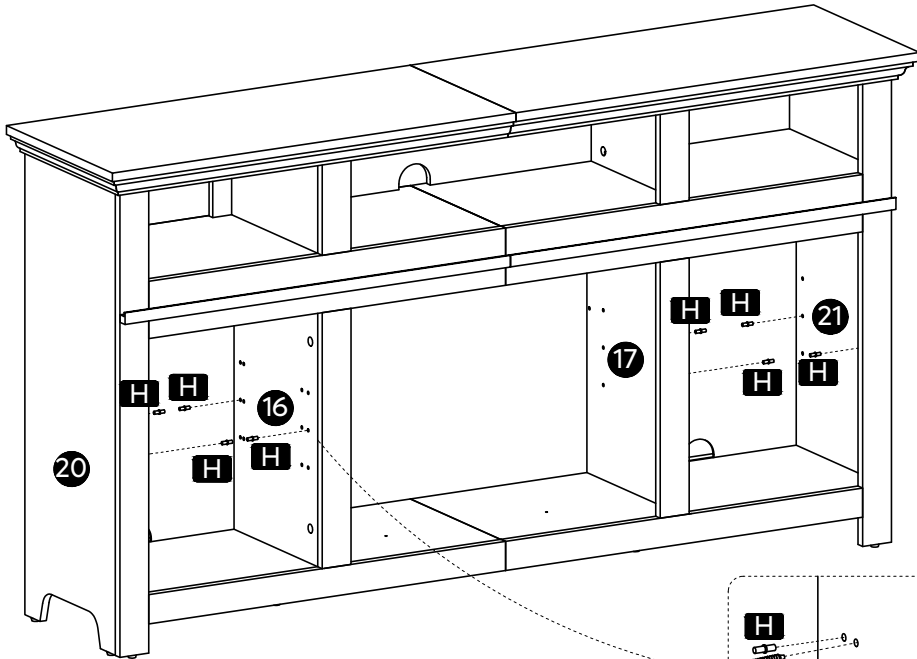
1. Drill 2 holes in the wall and insert "N" into holes.
- ※ You may need to use rubber mallet for tapping "N".
2. Use "O" to attach "N" with "35".



# 43

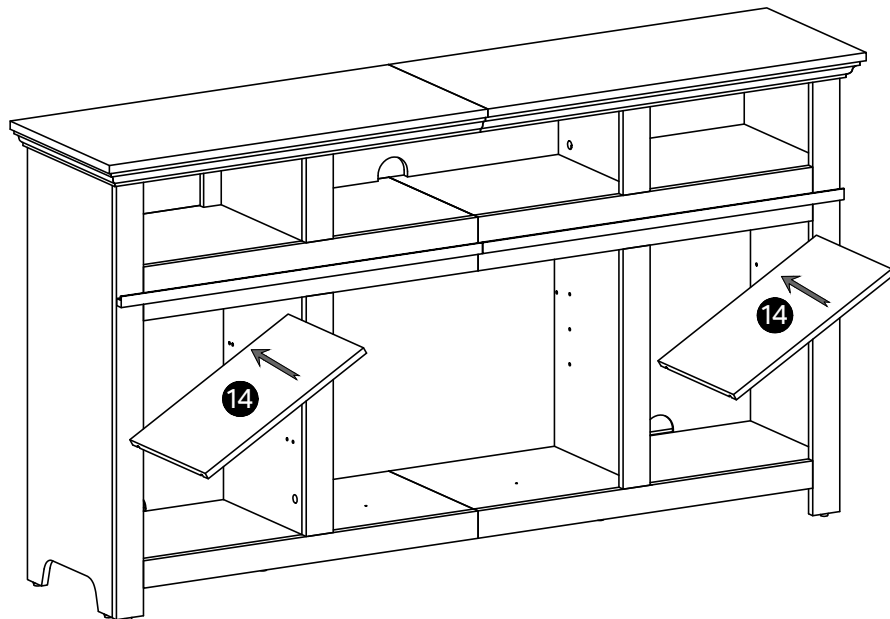
**B**

※ If you chose fireplace TV stand , Please continue with the following steps.



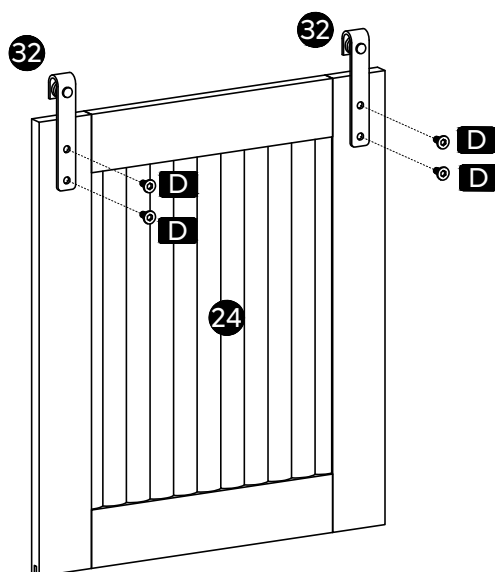
# 44

**B**



# 45

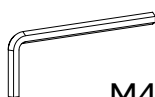
(B)



x 2



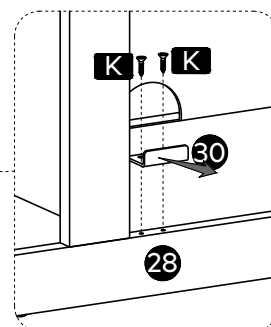
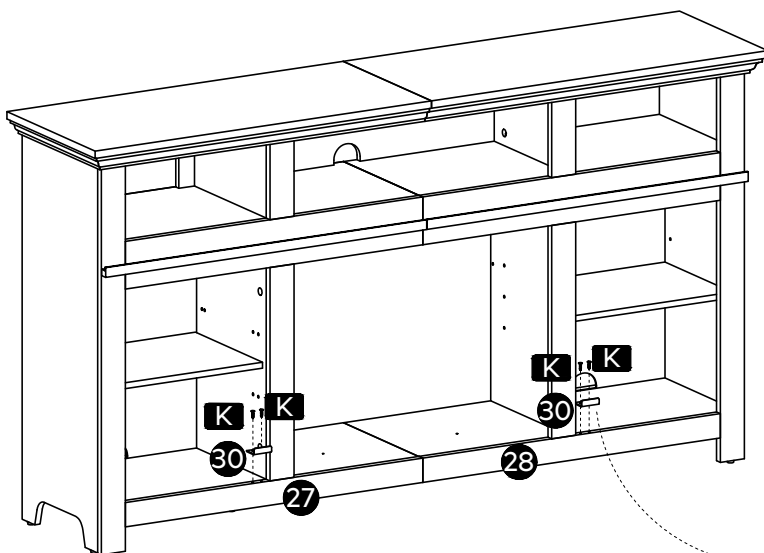
M6x15mm x 8



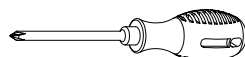
M4

# 46

(B)



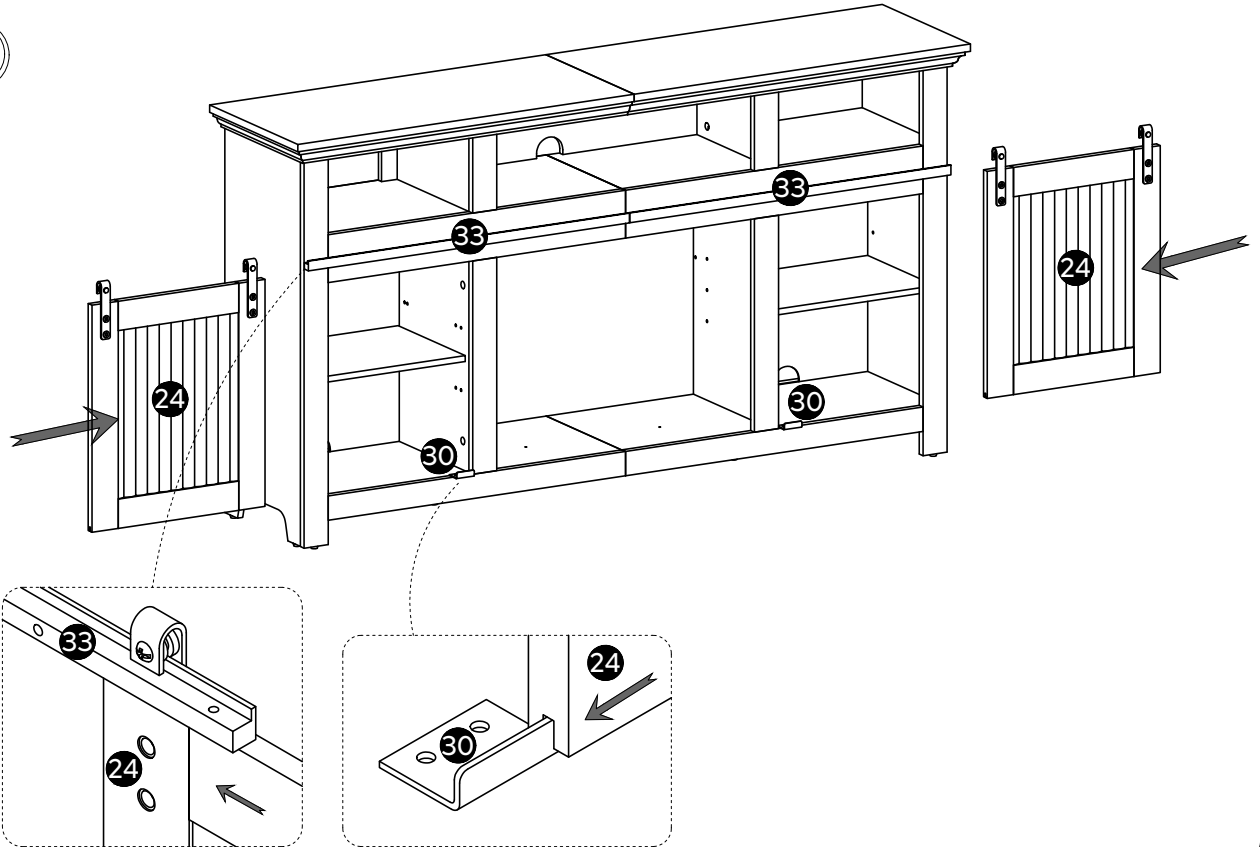
x 4



(K) ST3x12mm

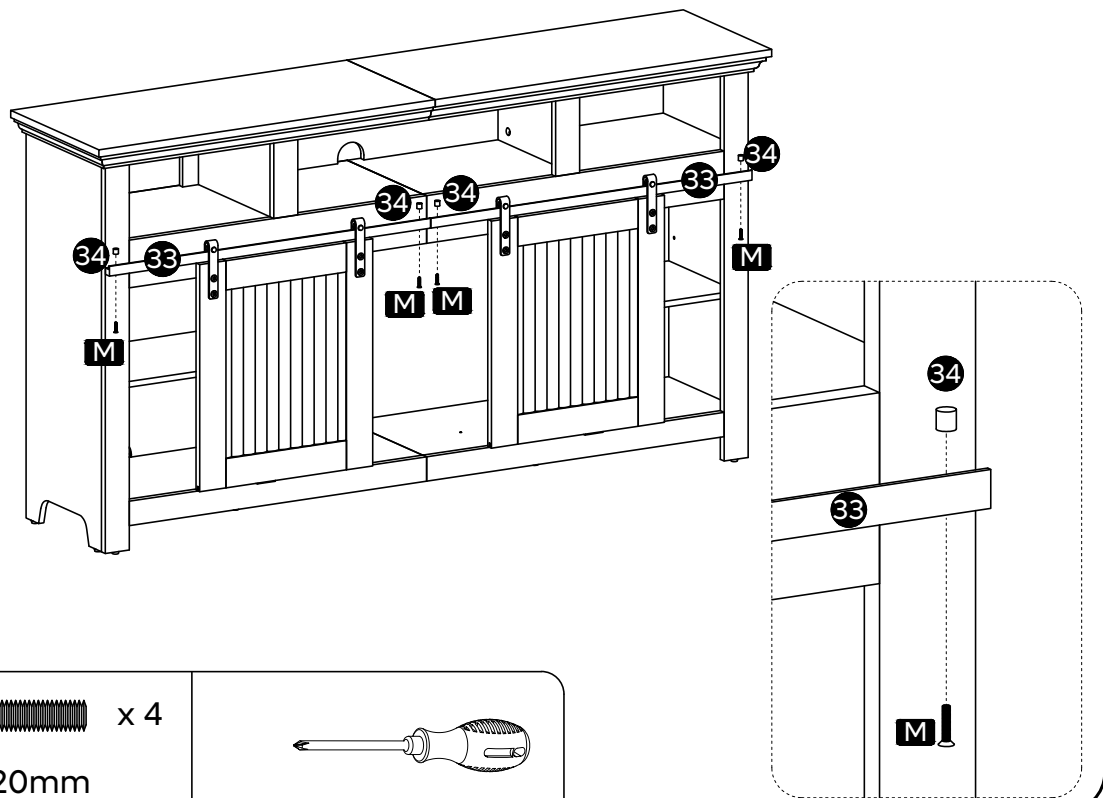
# 47

(B)



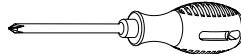
# 48

(B)



M4x20mm x 4

M



# 49

※please refer to the fireplace assembly installation

AAA batteries  
Please purchase  
by yourself

package include:

Part	Description	Quantity
V	Remote Control	1
W	Fireplace Insert	1
A	Top Side Trim	1
B	Left Side Trim	1
C	Right Side Trim	1
AA	TM4x6mm	9+1

# 50

Back view

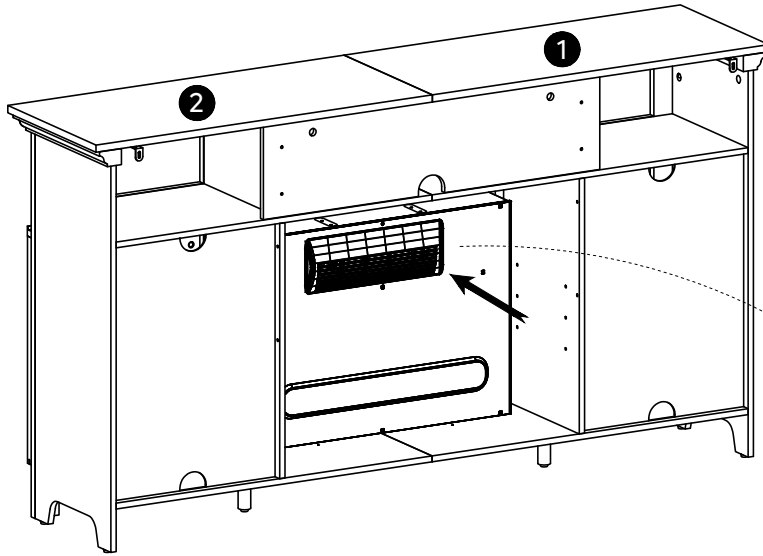
Fireplace

※Put the fireplace into the TV stand

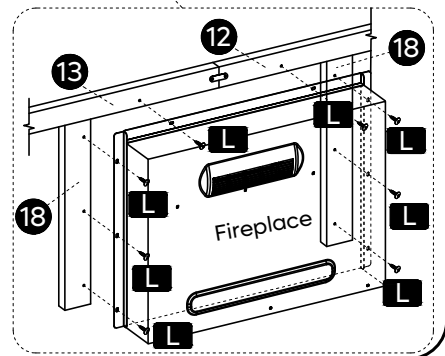
# 51

(B)

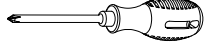
Back view



Use Screwdriver to tighten the round head screw "L".



x 8

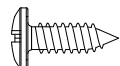
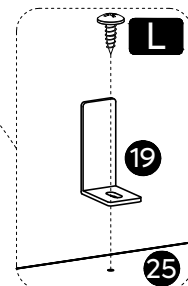
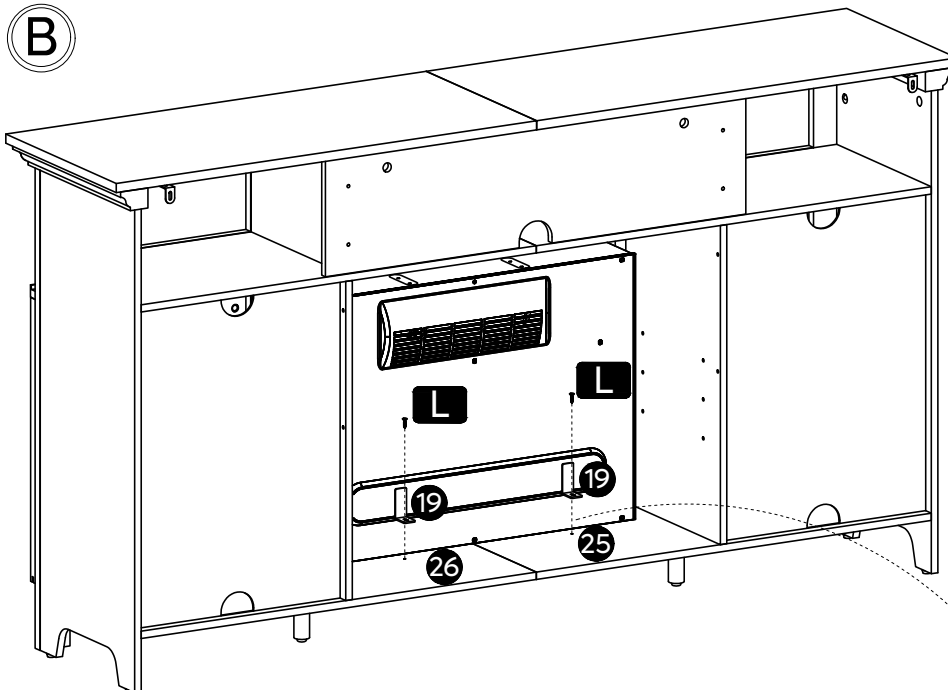


L ST4x12mm

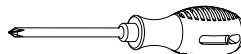
# 52

(B)

Back view



x 2

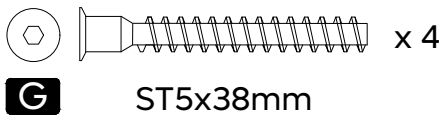
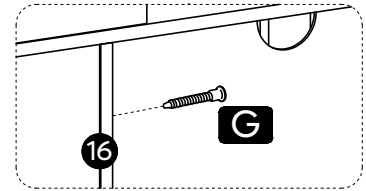
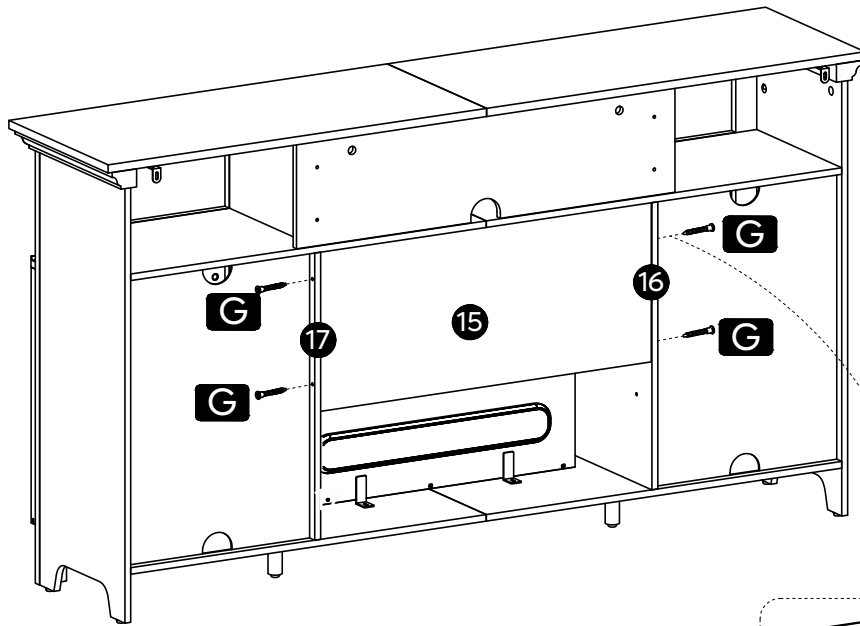


L ST4x12mm

# 53

(B)

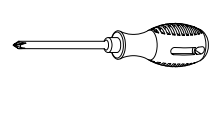
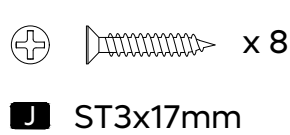
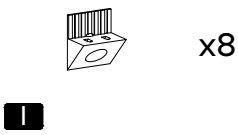
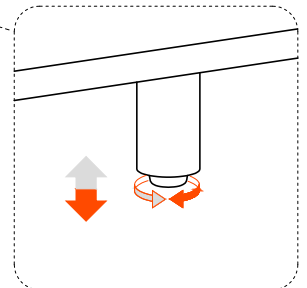
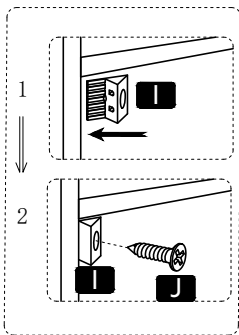
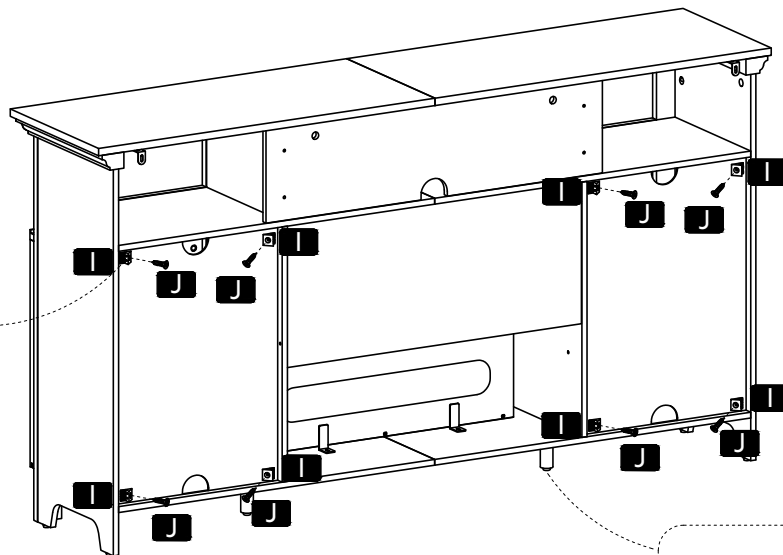
Back view



# 54

(B)

Back view

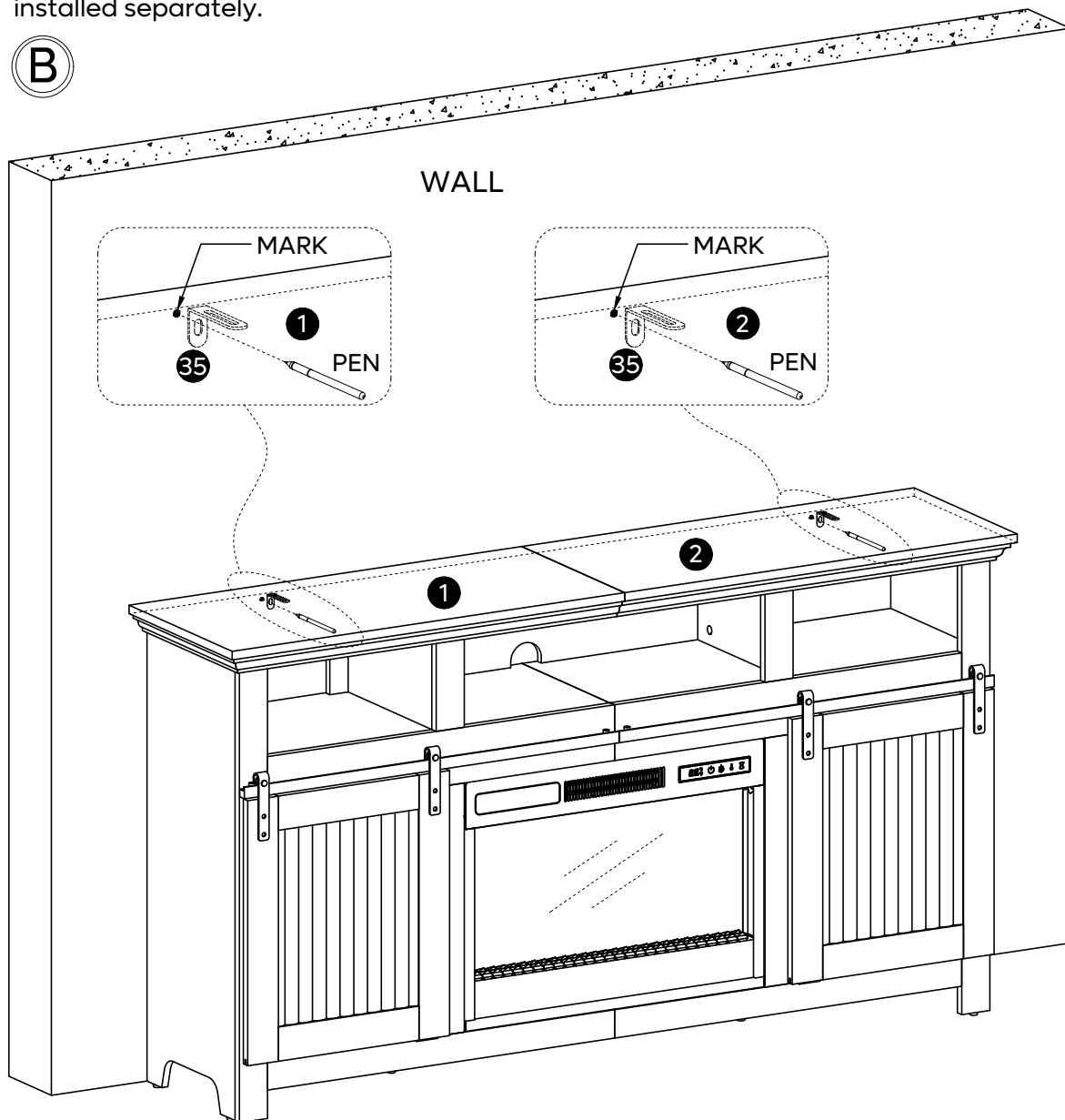


## WALL SAFETY STRAP INSTALLATION

Ask for assistance to position the assembled unit at the desired location against a wall. Now, follow the instructions printed on the plastic bag containing the Tipping Restraint Hardware to attach two tipping restraints to the unit and the wall. As shown in the illustration.

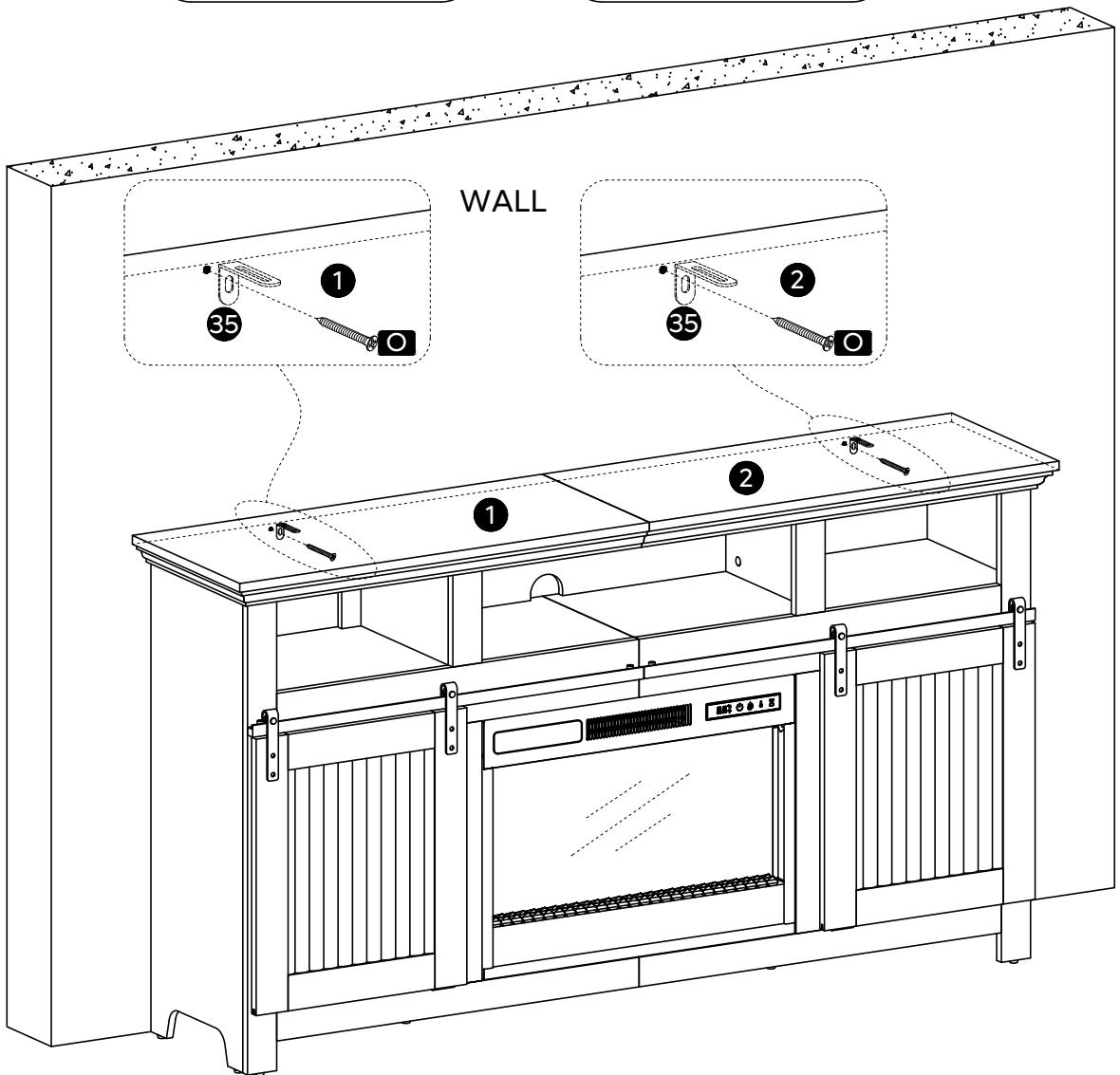
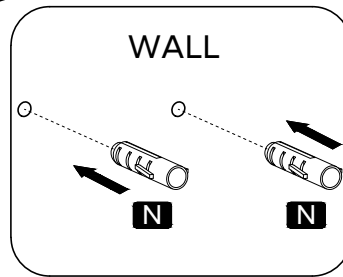
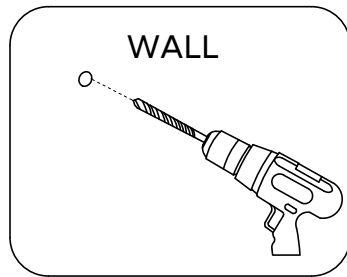
※NOTE: Young children can be seriously injured by tipping furniture. You must install the Tipping Restraint Hardware with the unit to prevent the unit from tipping, causing any accidents or damage. The tipping restraints are intended only as a deterrent, they are not a substitute for proper adult supervision. The tipping restraints are not earthquake restraints. If you wish to add the extra security of earthquake restraints, they must be purchased and installed separately.

(B)



**Tools required:Phillips screwdriver,power Drill,3/8" Drill Bit and Rubber Mallet**

(B)



※ **Please fasten this item to wall for protection and safety.**

1. Drill 2 holes in the wall and insert "N" into holes.
- ※ You may need to use rubber mallet for tapping "N".
2. Use "O" to attach "N" with "35".

