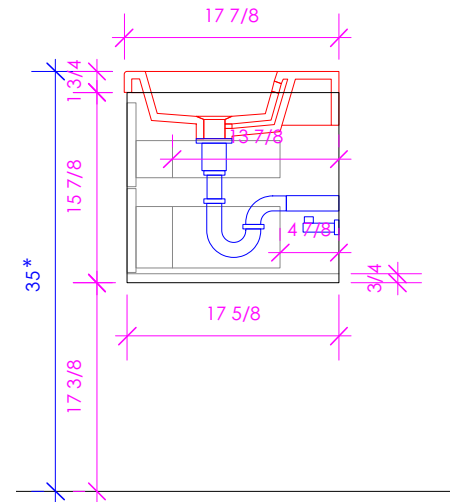
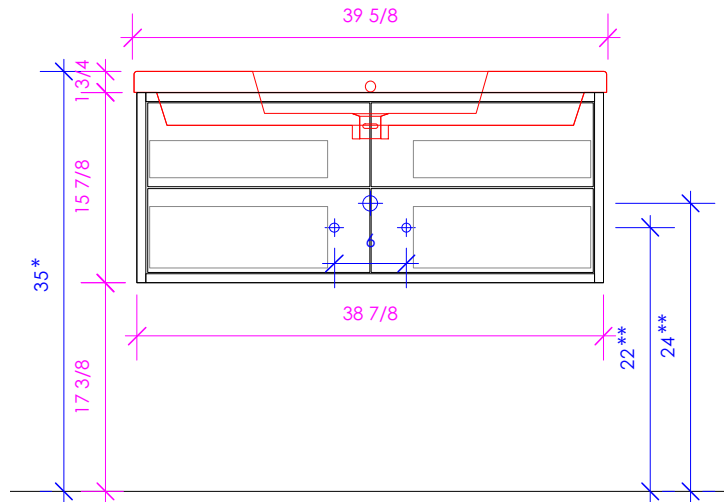
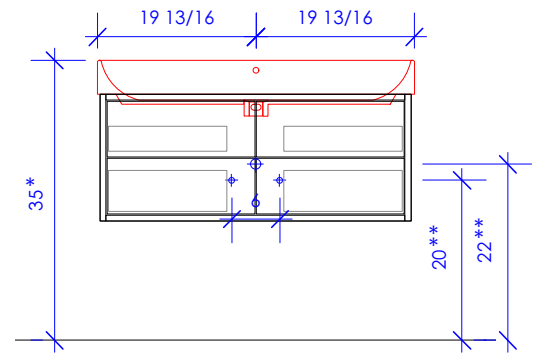


LACAVA

AQUASEI

AQS-W-40

SUGGESTED PLUMBING LOCATION WHEN USED WITH 5233 OR 5243C/L/R



SUGGESTED PLUMBING LOCATION WHEN USED WITH 5213

* Recommended installation height
** Recommended plumbing location

FEATURES:

- WALL MOUNT VANITY
- FOUR DRAWERS WITH SELF-CLOSE GLIDES
- INTERIOR DRAWER STAINED TO REFLECT EXTERIOR FINISH
- USED WITH 5233, 5213, OR 5243C/L/R SINK (SOLD SEPARATELY)
- DECORATIVE HARDWARE K450 INCLUDED BUT NOT INSTALLED - CAN BE INSTALLED UPON REQUEST
- PROUDLY HANDMADE IN THE USA
- MANUFACTURED WITH LOW VOC FINISHES AND WOOD FROM RENEWABLE FORESTS

FINISHES:

WOOD:

STANDARD:

- 02 - NATURAL CHERRY
- 07 - NATURAL WALNUT
- 24 - CLASSIC WALNUT
- 20 - ASH GRAY
- 06 - WENGE
- 33 - AFRICAN MAHOAGANY

PREMIUM:

- 22 - GRAY ZEBRA
- 31 - WHITE OAK
- 27 - RUSTIC
- 47 - SMOKY WALNUT
- 08 - MATTE WHITE
- 35 - MATTE ARDESIA
- 54 - MATTE TAUPE
- 16 - MATTE BLACK

LUXURY:

- 37 - WEATHERED OAK
- 52 - SILVER OAK
- 50 - HORIZON BLUE
- 85 - GLOSS WHITE
- 88 - GLOSS ARDESIA
- 84 - GLOSS TAUPE
- 86 - GLOSS BLACK

- 46 - DRIFTWOOD *NEWTERRA ONLY*

COUNTERTOP:

STONE:

- WH - BIANCO
- LN - LINAC
- SL - ATHENS

QUARTZ:

- PR - PURO
- AH - ASH

SOLID SURFACE:

- M - SATIN WHITE
- G - POLISHED WHITE
- R - MARMO
- V - LAVA
- D - OBSIDIAN

CONCRETE:

- SND - SAND
- SLT - SLATE
- TER - TERRACOTTA
- CHL - CHARCOAL

METALS:

METAL:

- 21 - BRUSHED STAINLESS STEEL
- 10 - POLISHED STAINLESS STEEL
- 44 - MATTE BLACK
- MW - MATTE WHITE
- BPW - BRASS POWDER COAT

LACAVA reserves the right to revise any dimension or information on this sheet without notice. Dimensions are nominal and may vary within an industry accepted tolerance of 1/4". Cabinets with 'vanity top' sinks are made to the matching sink and dimensions may vary. LACAVA is not responsible for any cutouts, countertops, or furniture made without the actual product or template. Differences in color, grain, appearance, and texture are inherent in all natural woodwork and should be expected. Variances in these qualities are not deemed manufacturing defects and will not be accepted as valid reasons for return or exchanges. Plumbing specifications are only a guideline and may need alteration based on application.

6630 WEST WRIGHTWOOD
CHICAGO, IL 60707

PH: 773-637-9600
FAX: 773-637-9601

LACAVA.COM
INFO@LACAVA.COM