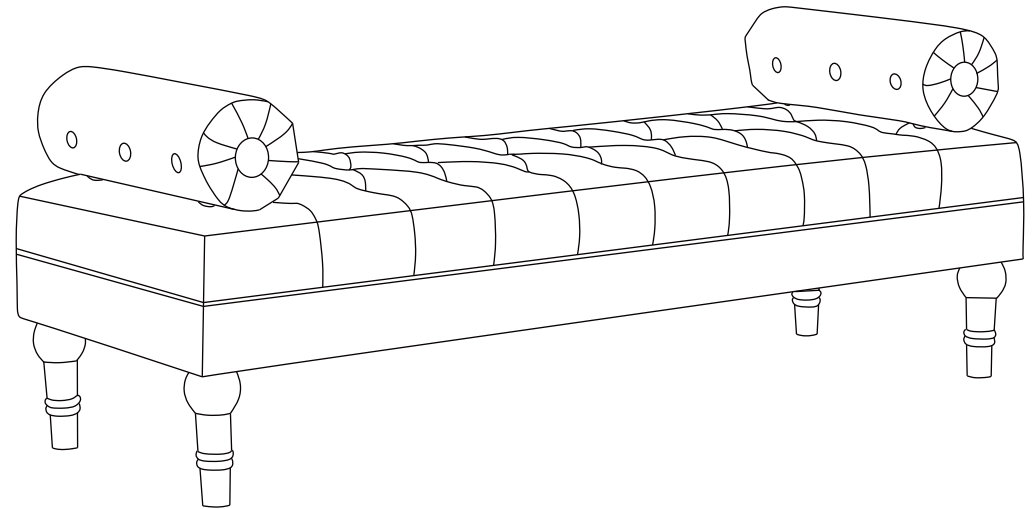


# Instruction Manual

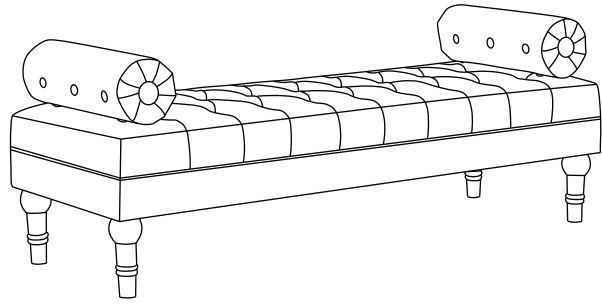
## User Guide

### Make life better

Warm tips: We are proud of high-quality products and satisfactory service, but the goods may encounter special circumstances during transportation, if you receive the goods with missing or damaged parts, please take photos and contact our customer service before returning the goods , we will customize a solution that satisfies you, thank you.

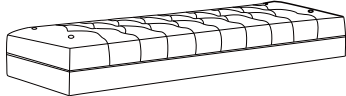
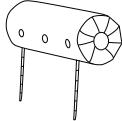

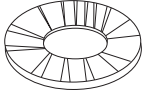


# Instruction



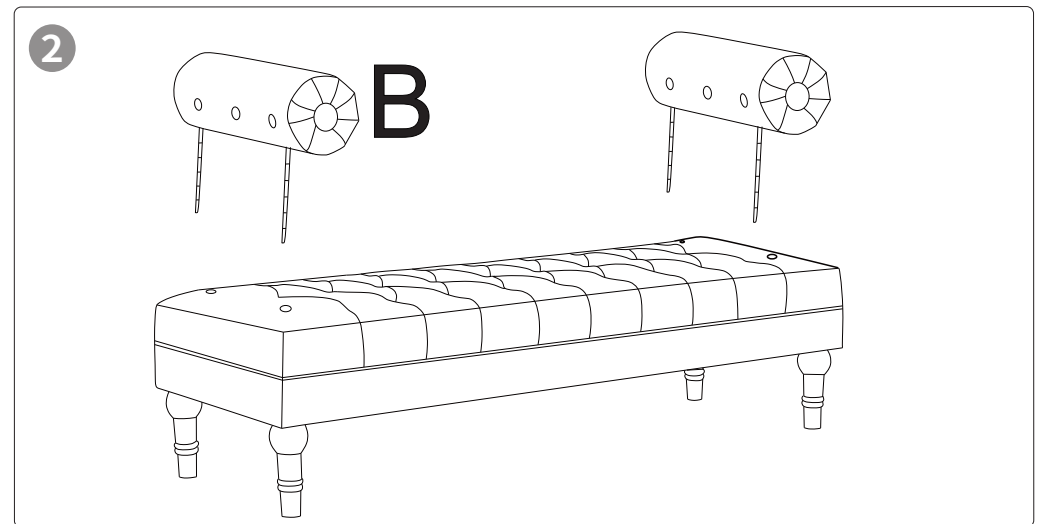
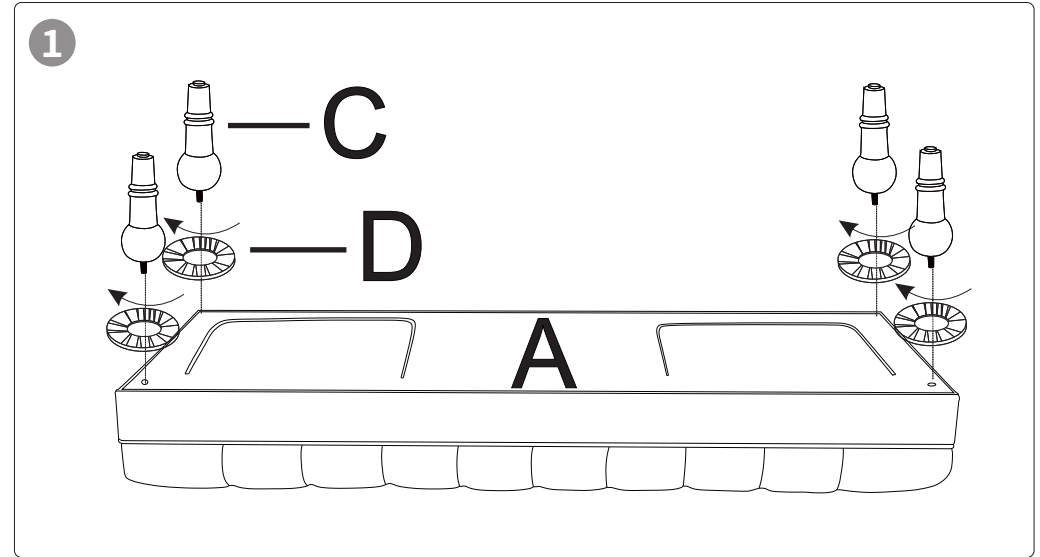
◀ **BEDROOM BENCH**

▼ **PARTS LIST**

NO	DESCRIPTION	QTY
A	Bench seat 	1
B	Pillows 	2
C	Leg 	4
D	Plastic Washer 	4

**\*Open the bottom of the cushion and take out the pillow and legs, and install the legs first**

# Installation method



**1** Rotate the legs (C) with hardware(D) into the holes as shown below.

**2** As shown, align the hole and insert the pillow into the cushion