

ASSEMBLY INSTRUCTIONS

MODEL : ELTON BED (KING)

NO	PART LIST	QUANTITY
1	HEADBOARD	1
2	FOOTBOARD	1
3	BED LEG	4
4	BED SLATS (2 SETS)	12
5	SIDE RAIL (A)	2
6	SIDE RAIL (B)	2
7	SIDE RAIL SUPPORT	4
8	CENTER RAIL	4
9	CENTER RAIL SUPPORT	8
10	SIDE RAIL SUPPORT LEG	2
11	HEADBOARD LEG PILLAR	2
12	LEG PILLAR SUPPORT	1

NO	HARDWARE LIST	QUANTITY
A	CSK M4 x 16mm	16
B	CSK M4 x 32mm	8
C	JCBB M8 x 20mm	8
D	JCBB M6 x 30mm	8
E	JCBC M6 x 35mm	14
F	JCBC M6 x 50mm	12
G	FLAT WASHER M6	24
H	ALLEN KEY M4 (LONG)	1
I	ALLEN KEY M5	1
J	PLASTIC WASHER	4
K	ADJUSTABLE (BIG)	8

NOT INCLUDED

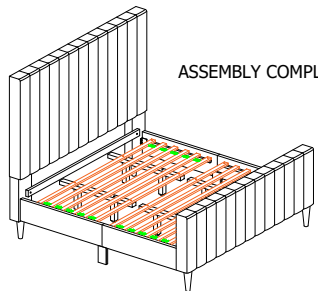
Keep dry:

Handle with care:

REMEMBER: BED PARTS IS PACKED INSIDE THE HEADBOARD

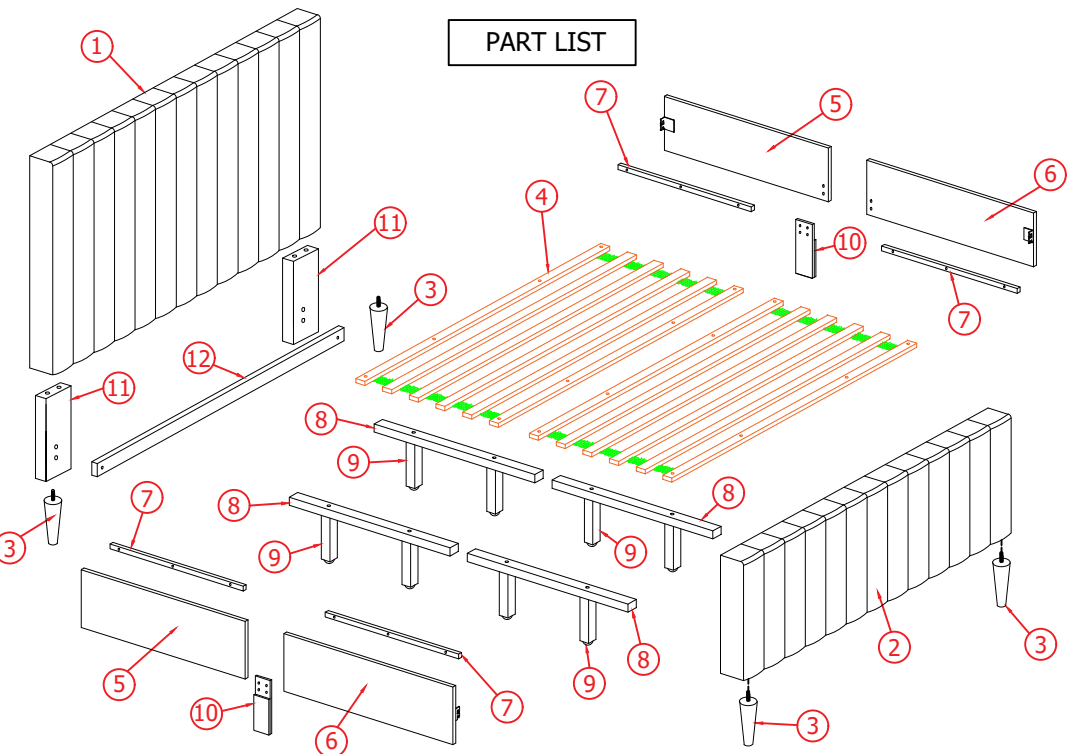
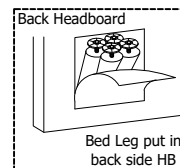
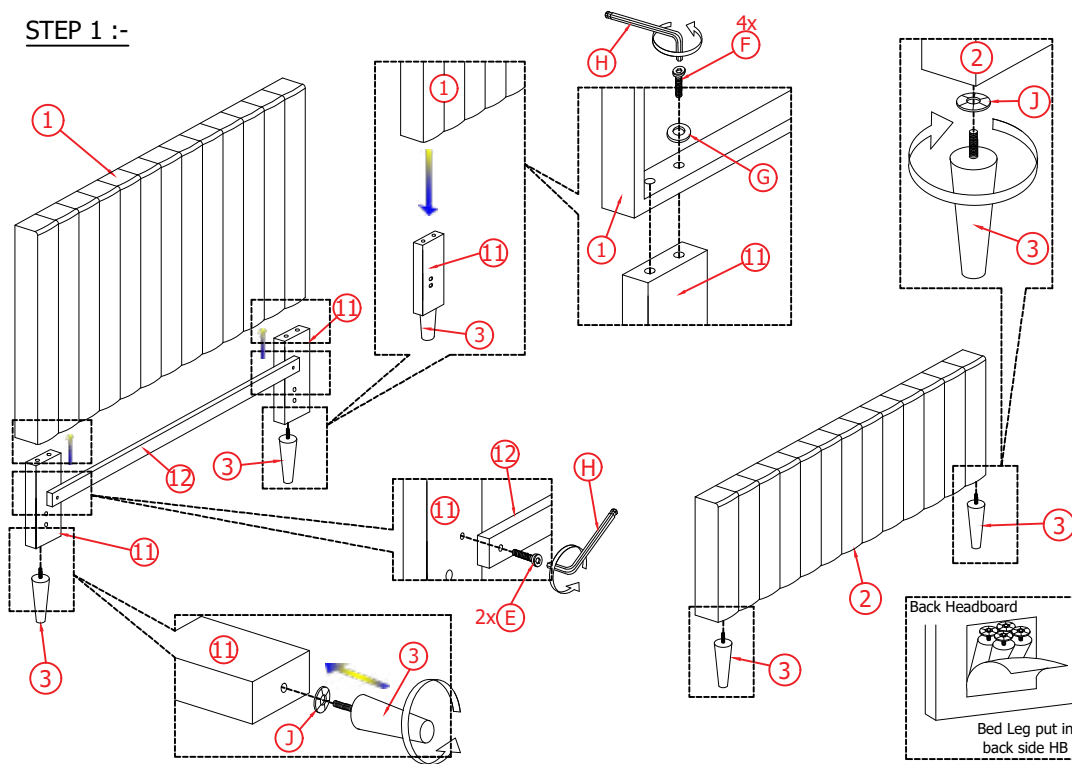
Important note :

- Place all wooden part on a clean & smooth surface such as rug or carpet to avoid the part from being scratch.
- Please follow the assembly instruction step by step.
- Do not tighten all screw until the Bed is fully set-up.



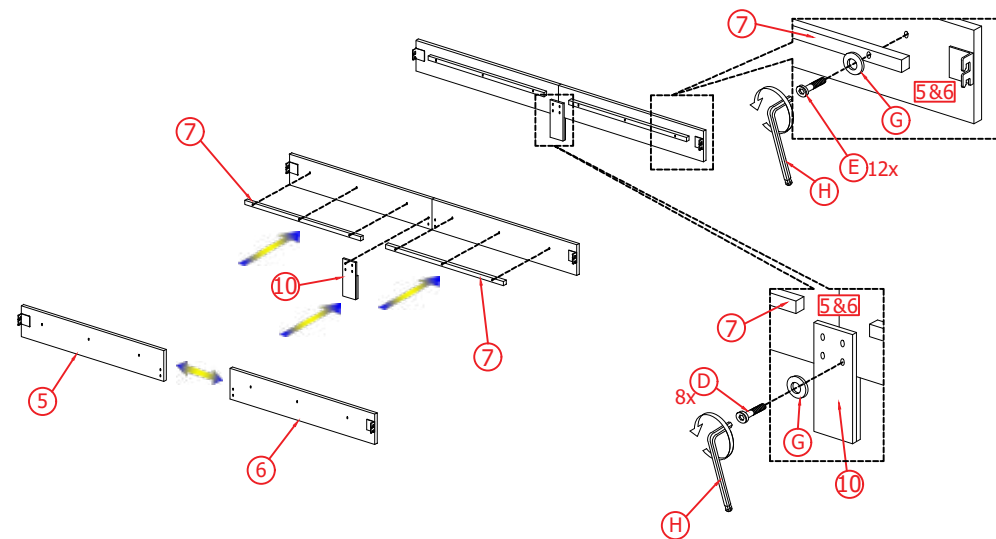
ASSEMBLY COMPLETE

STEP 1 :-

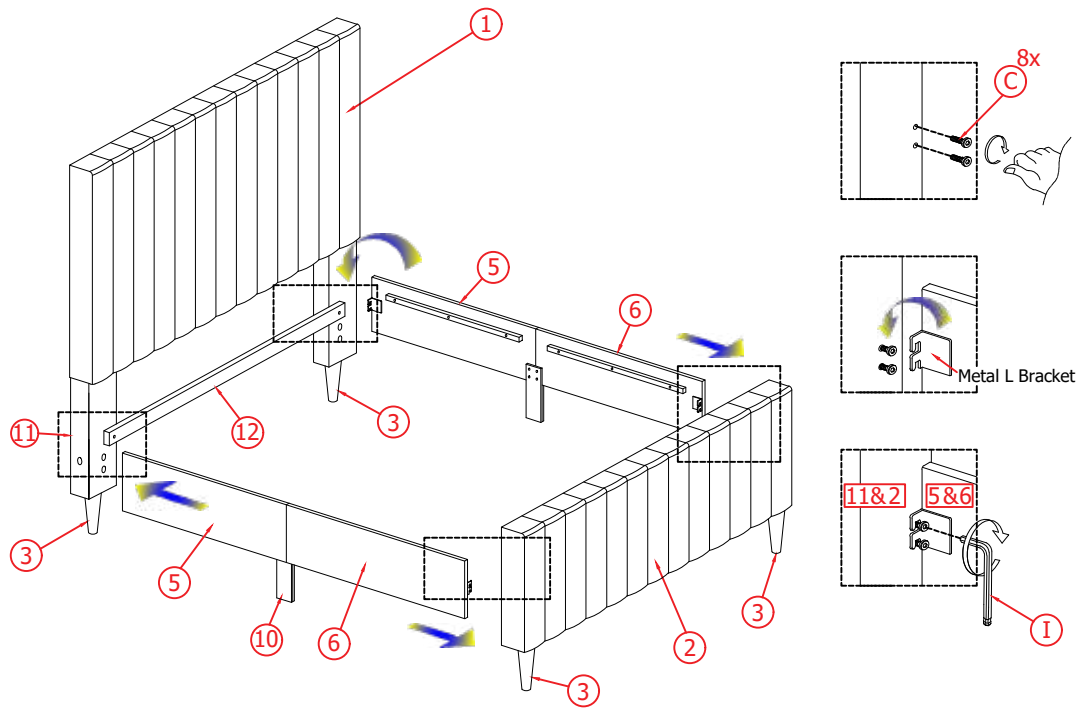


PART LIST

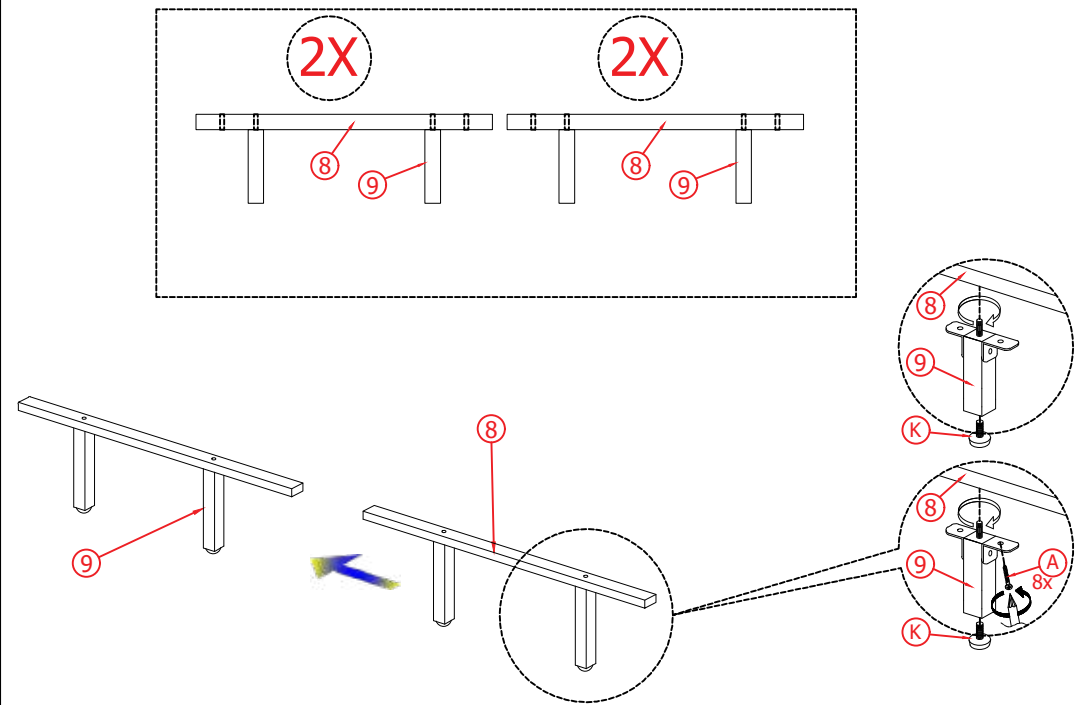
STEP 2 :-



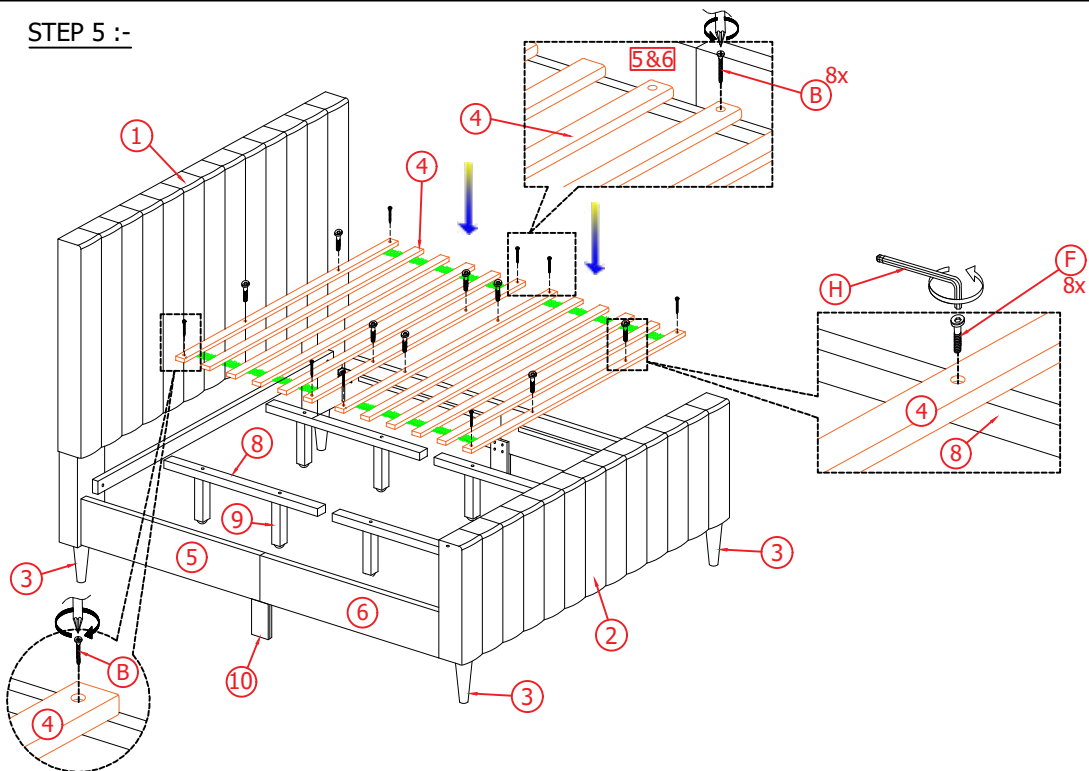
STEP 3 :-



STEP 4 :-



STEP 5 :-



ASSEMBLY COMPLETE

