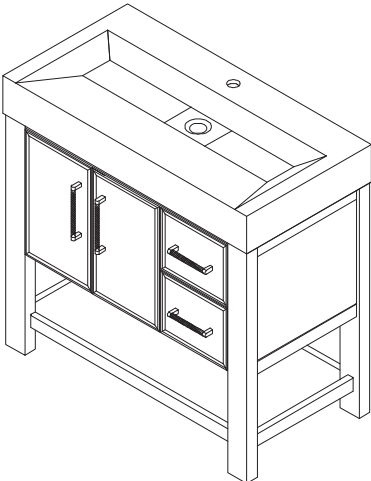
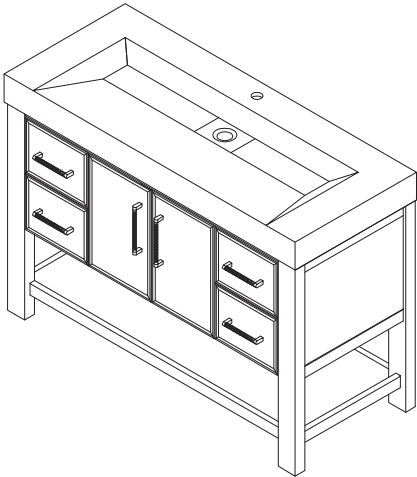


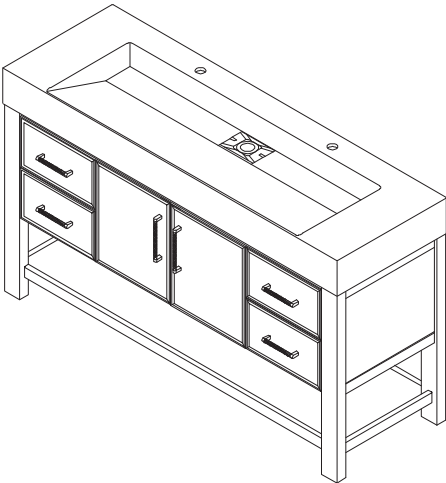
ASSEMBLY INSTRUCTIONS



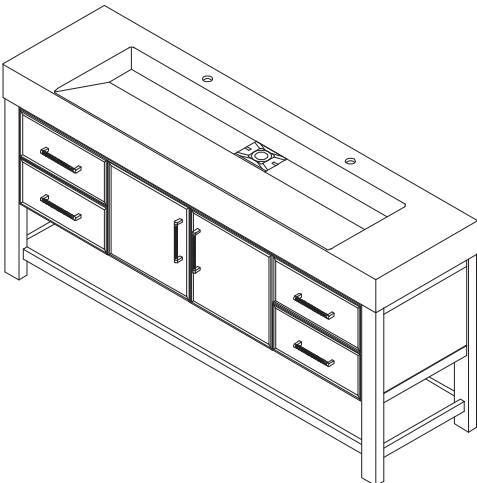
x1



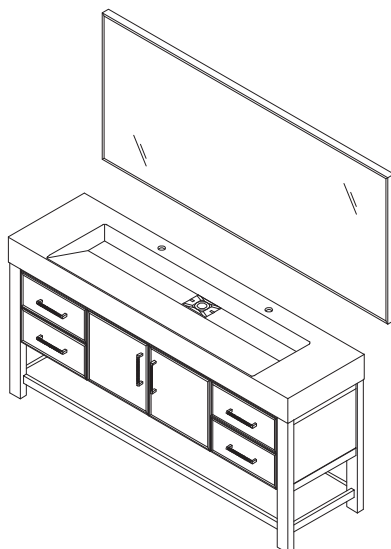
x1



x1



x1



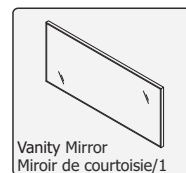
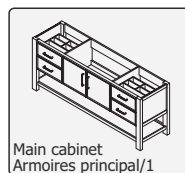
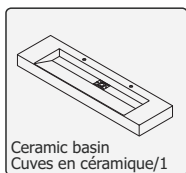
INSTALLING VANITY WITH TWO PEOPLE IS HIGHLY RECOMMENDED

L'INSTALLATION DE LA VANITÉ AVEC DEUX PERSONNES EST FORTEMENT RECOMMANDÉE

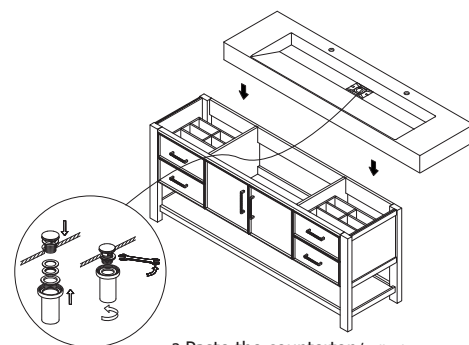
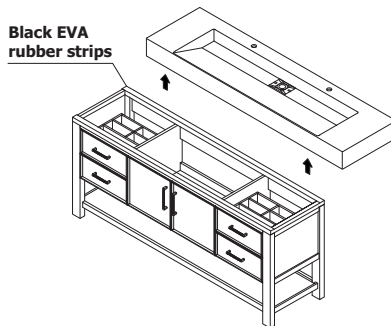
Box Contents/Contenu de la boîte

- Ceramic Basin/Countertop
Bassin/comptoir en céramique
- Vanity Base/Cabinet
Base de vanité/Cabinet
- Vanity Mirror/ Mirror
Miroir de courtoisie/Miroir

Main Body Parts/La partie principale du corps



Main Cabinet Installation Instructions/
Instructions d'installation de l'armoire principale



1.Remove all black Eva strips
Déchirez toutes les bandes noires Eva

2.Paste the countertop/Collez le comptoir

To protect the countertop from damage during transportation, EVA strips are added for cushioning. Please follow the following steps, otherwise there may be gaps between the countertop and the cabinet.

*Does not include faucet, drain assembly, or P-trap/Les robinets, les ensembles de drains ou les pièges à eau Le P - trap sont pas inclus.

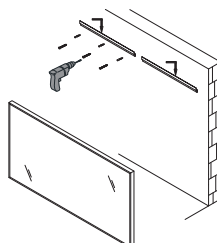
Installation Tips/Conseils d'installation

- Add silicone to attach frame/
Ajouter du silicone pour fixer le cadre
- Secure the countertop to the main cabinet/
Fixez le comptoir à l'armoire principale

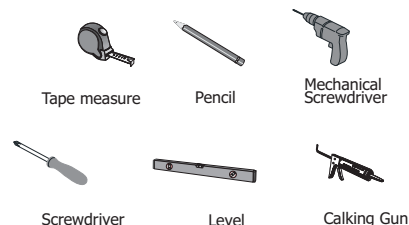
Recommended tools/Outils recommandés

- Tape measure/
mètre à ruban
- Pencil/
Crayon
- Screwdriver (Manual/Mechanical)/
Tournevis (manuel/mécanique)
- Level/Niveau
- Calking & Calking Gun/
Pistolet à calfeutrer et à calfeutrer

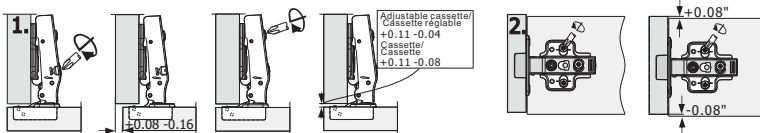
Installation tool/Outil d'installation



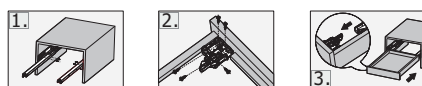
3.Hang the mirror/Accrocher le miroir



Installation, Removal and Adjustment of Hinges on Vanity



Installation Instruction/Instructions d'installation



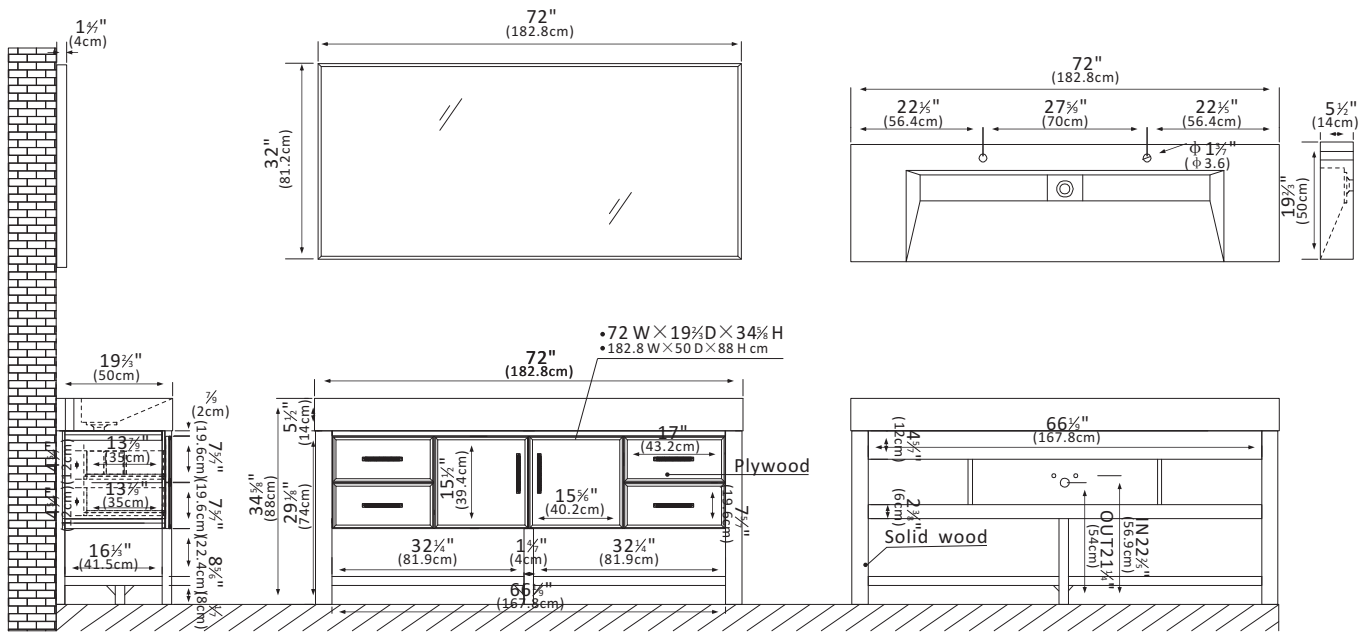
Removal of slide rail with front connector
Démontage de la glissière avec connecteur frontal



Flip the buckle of the front connector, then pull the drawer out to complete the disassembly
Retournez la boucle du connecteur avant, puis tirez sortir le tiroir pour terminer le démontage

• Please check your product packaging to make sure the included accessories etc.

Diagram Specifications



Vanity Care Guide

Vanity Care

- Avoid direct contact of sharp objects as they can cause exterior damage.
- Do not expose directly to the sun as it can cause aging and cosmetic damage.
- Avoid placing hot objects onto the vanity surface.

Countertop Care

- Kindly note that all our tops are sealed before shipping but may stain, scratch, or chip because they are porous by nature.
- Do not place hot items directly on the countertop as it can damage it.
- To prevent ring marks or staining, dry immediately.
- Place table mats beneath objects that can potentially scratch the surface.
- Use a clean, soft fabric to dust the vanity.
- Occasionally wash with a cloth dampened in warm water. If needed, apply a small amount of mild dishwashing liquid or stone soap to clean. Dry with a soft cloth.
- Refrain from using chemical cleaners, sprays, abrasive cleaners, or products that contain lemon, vinegar, or other acids.
- We advise to reseal top annually or when necessary.

For Minimal Stains:

1. Try gently cleaning with water and mild soap with a microfiber cloth.
2. If marks remain: Try gently scraping off the mineral build up with a brand new razor blade.

For Tough Stains or Cloudy Spots:

3. Try a pH-balanced cleaner safe for composite surfaces.
4. If marks remain:

- Lightly buff with water using ultra-fine steel wool (0000 grade) or high-grit waterproof sandpaper (1000+ grit).
- Follow with a stone-safe polishing wax to restore shine.
- Always test in a small area first.

★ Note: These steps should be done gently to avoid dulling the surface. Contact us if a polishing wax is needed.

Cleaning and maintenance

- Avoid using cleaning products that contain Bleach or Ammonia.
- Please use wood-friendly products on wooden base vanities.
- To adequately clean exterior surfaces, use natural cleaning solutions or soap

⚠ WARNING

This product can expose you to chemicals including Nickel compounds, which is known to the State of California to cause cancer.

⚠ WARNING

This product can expose you to Glass wool fibers (inhalable and biopersistent), which is known to the State of California to cause cancer.

⚠ WARNING

Serious or fatal crushing can occur from furniture tip over. To prevent tip over this furniture must be used with the wall attachment device(s) provided.

Screw(s) and plug(s) for the wall are not included. Use screw(s) and plug(s) suitable for your walls. If you are uncertain, seek professional advice. Read and follow each step of the instruction carefully.