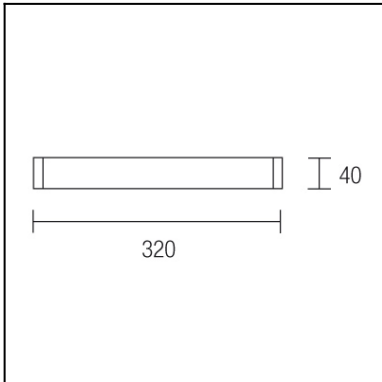
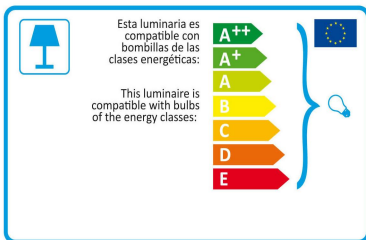


The photograph may not match the reference exactly. Please read the product description to identify the finish.



[Download photometric file .ldt /.ies](#)



Click on image to download energy label

## TECHNICAL CHARACTERISTICS

Type:	Wall fixture
IP Protection degrees:	IP44
Light source 1:	1 x G5 8W
Total power consumption (W):	7.7
Voltage / Frequency:	220-240V/50-60Hz
Units per box:	8
Net Weight (Kg):	0.51



## MATERIALS / FINISHES

**Structure material:** Extruded aluminium  
**Structure finish:** Chrome

**Diffuser material:** Polycarbonate  
**Diffuser finish:** Matt opal

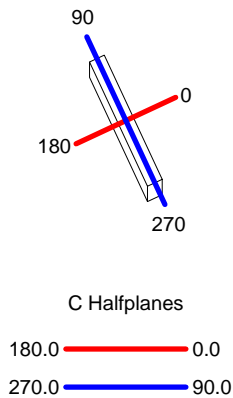
## GEAR

Gear included: Yes, electronic

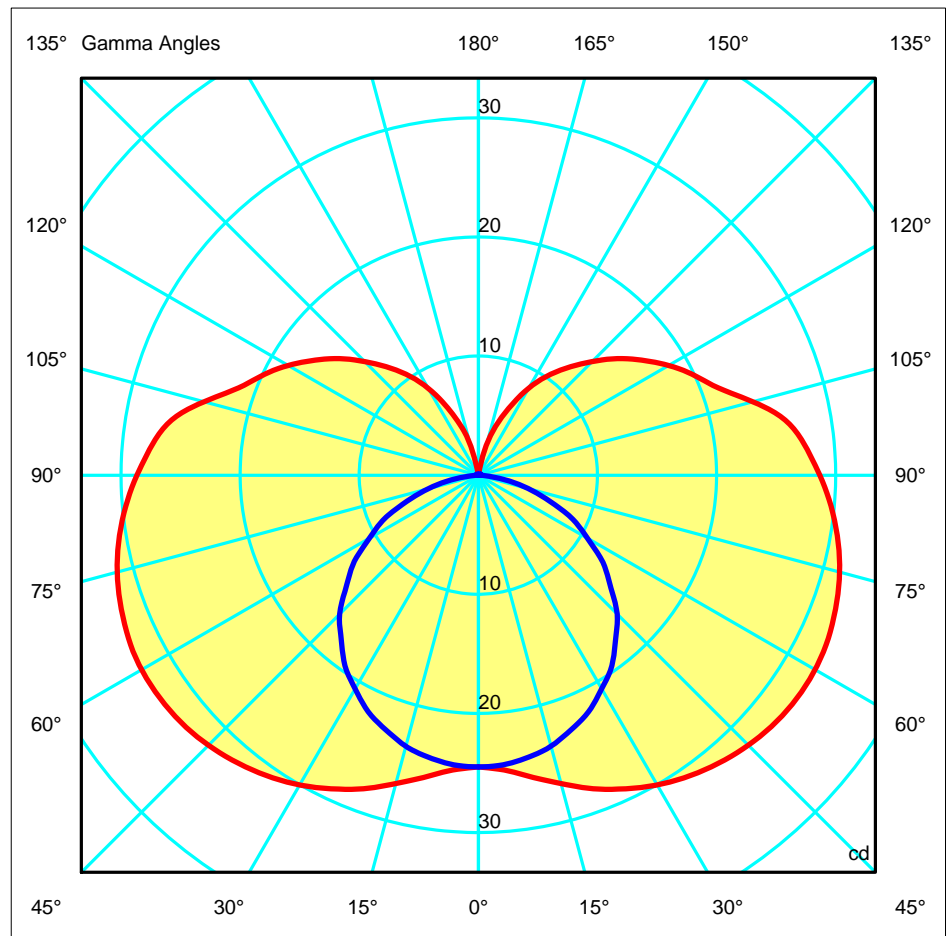
Luminaire		Measur.		Lamp		
Name	Aplique 1x8W T5 difusor opal	Name	Aplique 1x8W T5 difusor opal	Code	TL MiniS80p 8W/840	
Line	Eulumdat			Number	1	
				Position		
Efficiency	43.37%	Coordinate system	CG	Total Flux	470.00 lm	
Maximum value	32.65 cd	Position	C=0.00 G=60.00	Double Symmetrical		
Rectangular Luminaire	Length	320 mm	Width	38 mm	Height	77 mm
Rectangular Luminous Area	Length	305 mm	Width	36 mm	Height	36 mm
Horizontal Luminous Area	0.010980 m2	Emitting area on Plane 180°		0.010980 m2		
Emitting area on Plane 0°	0.010980 m2	Emitting area on Plane 270°		0.001296 m2		
Emitting area on Plane 90°	0.001296 m2	Glare area at 76°		0.013310 m2		
Symmetry Type	Double Symmetrical	Maximum Gamma Angle	180			
Measurement Distance	0.00	Measurement Flux	470.00 lm			
Operator	Asselum	Source voltage				
Temperature	25.00 °C	Source current				
Humidity	60.00 %	Photocell				
Notes						

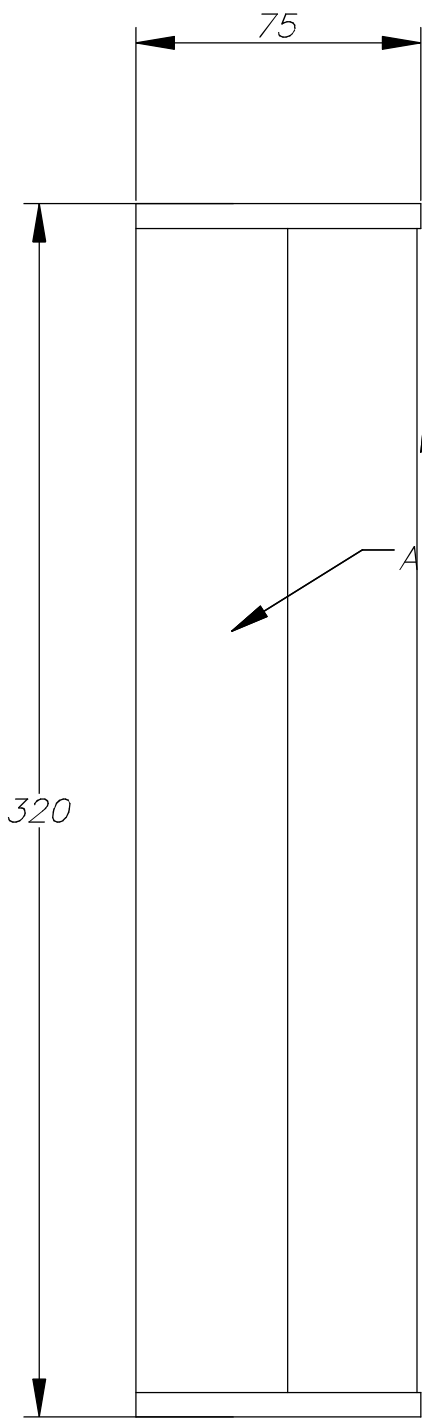
Luminaire Lamps					
Line	Code	Name	Flux [lm]	Pow. [W]	Q.ty
Eulumdat	TL MiniS80p 8W/840	TL MiniS80p 8W/840 - 8.00 W	470.00	8.00	1
C.I.E.	28 55 79 70 43	D DIN 5040	B11		
F UTE	0.30 J + 0.13 T	B NBN	BZ 7		

320mm x 38mm



ULOR	12.95 %
DLOR	30.42 %
RN	29.86 %

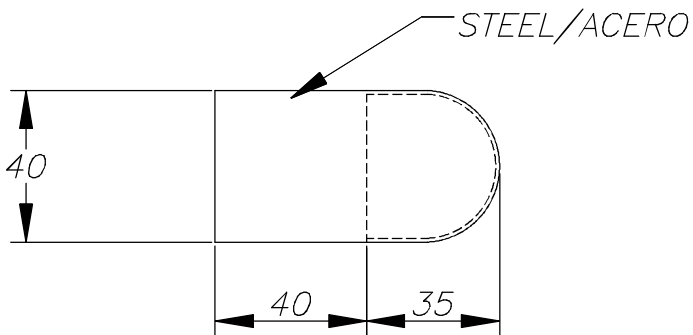
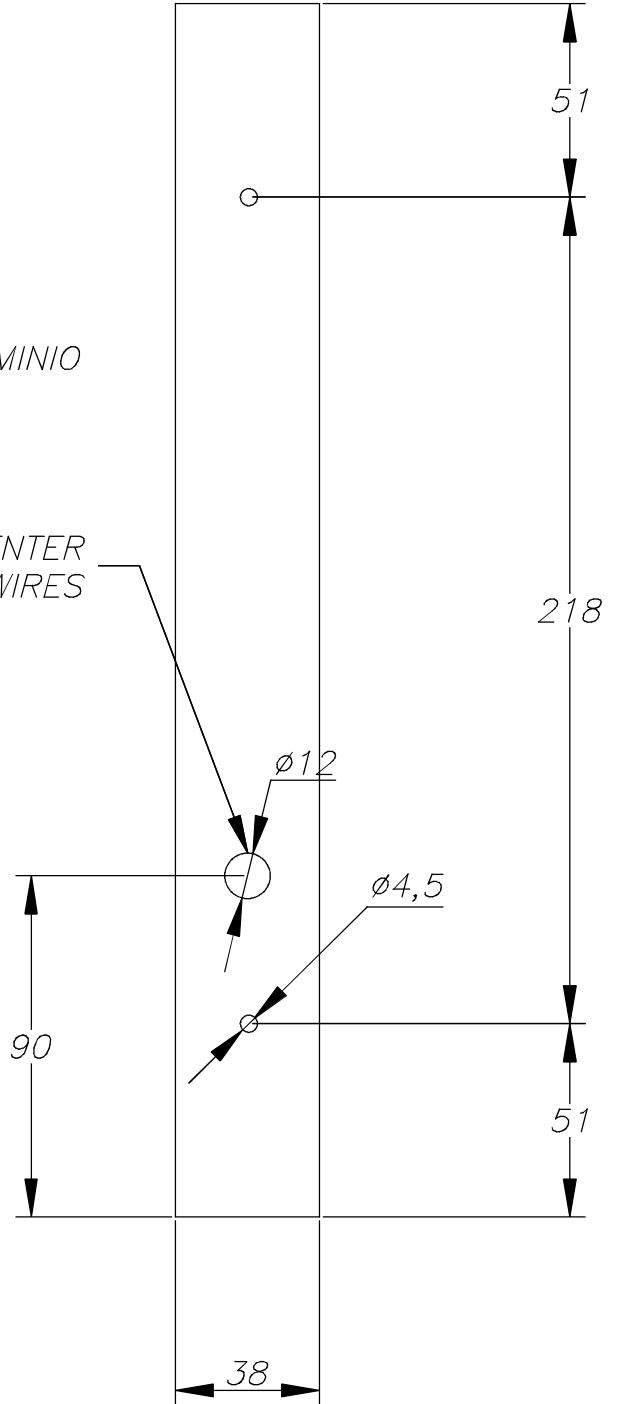




POLICARBONATO OPAL/  
OPAL POLICARBONATE

ALUMINIUM/ALUMINIO

HOLE TO ENTER  
ELECTRICAL WIRES



STEEL/ACERO

