



42 GREENE STREET LL NEW YORK NY 10013  
 T 212.355.0625 F 212.355.0628 WWW.OASIQ.US



**Astor Lounge Chair**

W 27" D 30 1/4" H 29 7/8"  
 AH 23 7/16" SH 12 3/8"  
 CH 3 1/2" OSH 15 7/8"  
 31.37 lbs

Powder coated aluminum &  
 all-weather wicker

**POWDER COATING**

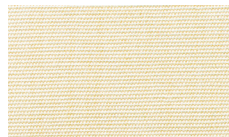


Anthracite

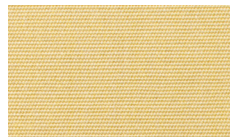
**FABRIC AVAILABLE FOR ASTOR, HAMILTON, MADISON, DELANCEY & LIMITED COLLECTIONS**



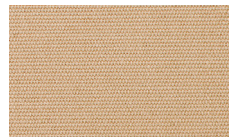
Canvas Natural 5404-0000



Canvas Vellum 5498-0000



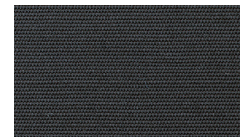
Canvas Wheat 5414-0000



Canvas Camel 5468-0000



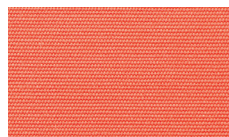
Canvas Granite 5402-0000



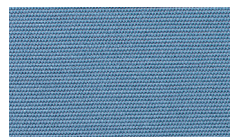
Canvas Black 5408-0000



Canvas Buttercup 5438-0000



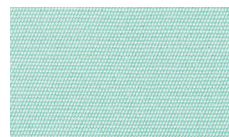
Canvas Melon 5415-0000



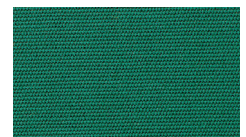
Canvas Sapphire Blue 5452-0000



Canvas Sky Blue 5424-0000

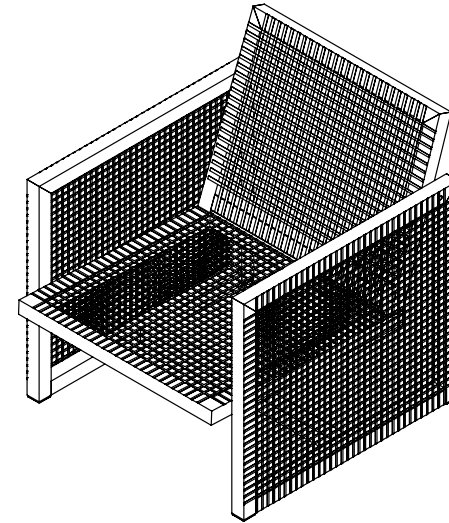
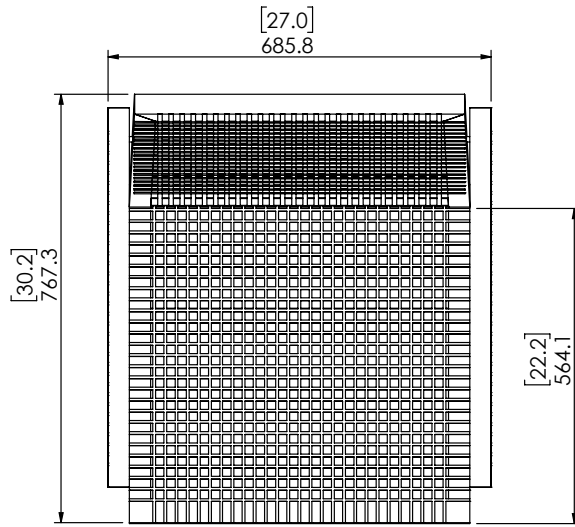


Canvas Glacier 5428-0000

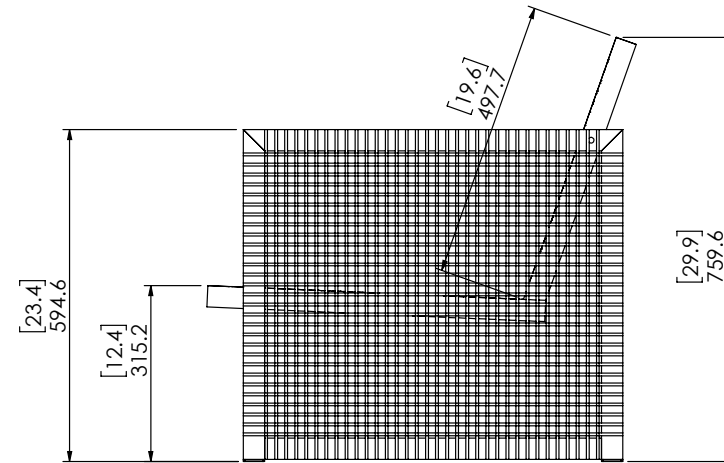
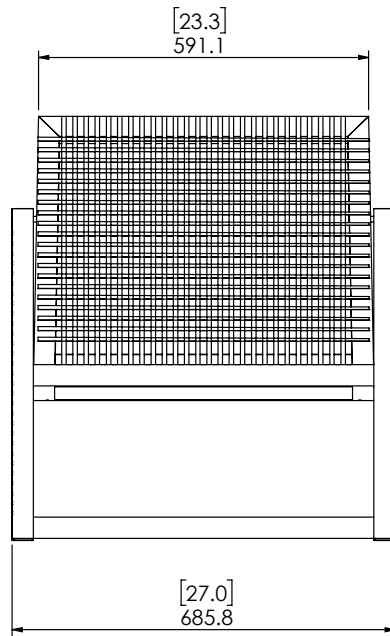


Canvas Forest Green 5446-0000

TOP VIEW



FRONT VIEW



SIDE VIEW