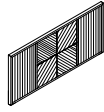
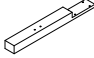
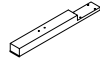


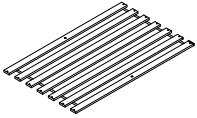
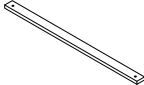
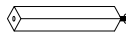
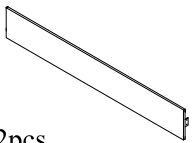








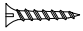

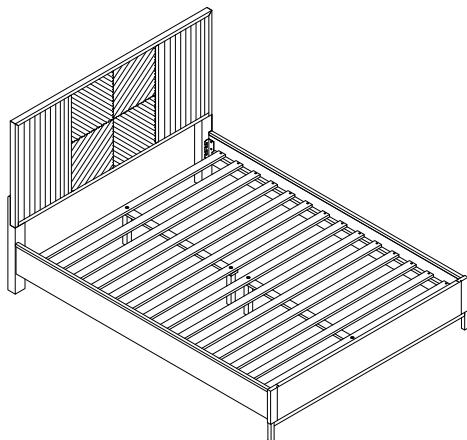


ASSEMBLY INSTRUCTION

QUEEN BED

A Headboard  1pc	B Left Headboard Leg  1pc	C Right Headboard Leg  1pc	D Footboard  1pc
E Metal Leg  1pc	F Slat  2sets	G Slat Support  2pcs	H Slat Support Leg  4pcs
I Side Rail  2pcs	J Bolt Ø5/16" x 35mm  8pcs	K Spring Washer Ø5/16" x 12mm  16pcs	L Flat Washer Ø5/16" x 19mm  16pcs
M Bolt Ø5/16" x 25mm  8pcs	N Bolt Ø1/4" x 38mm  5pcs	O Bolt Ø1/4" x 45mm  4pcs	P Spring Washer Ø1/4" x 12mm  9pcs
Q Flat Washer Ø1/4" x 16mm  9pcs	R Screw #8 x 32mm  28pcs	S Allen Key M4  1pc	

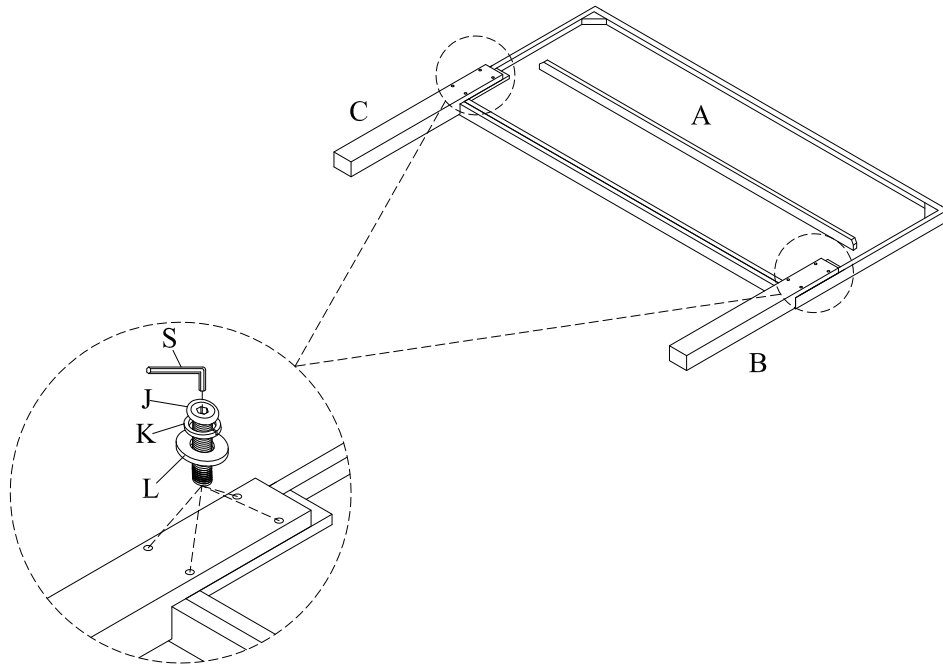


This page lists all the contents included in the box. Please take the time to identify the hardware as well as the individual components to this product. As you unpack and prepare for assembly, place the contents on a carpeted or padded area to protect them from damage.

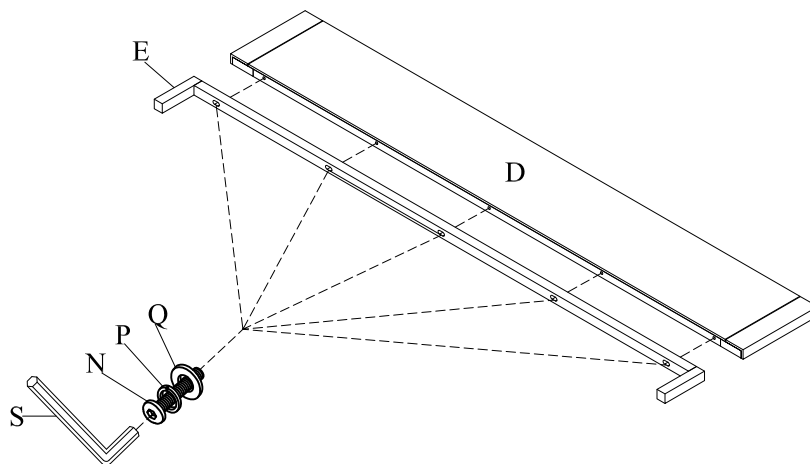
IMPORTANT NOTE

1. Do not tighten all screws / bolts until all completely assembled.
2. Keep all hardware parts out of reach of children.

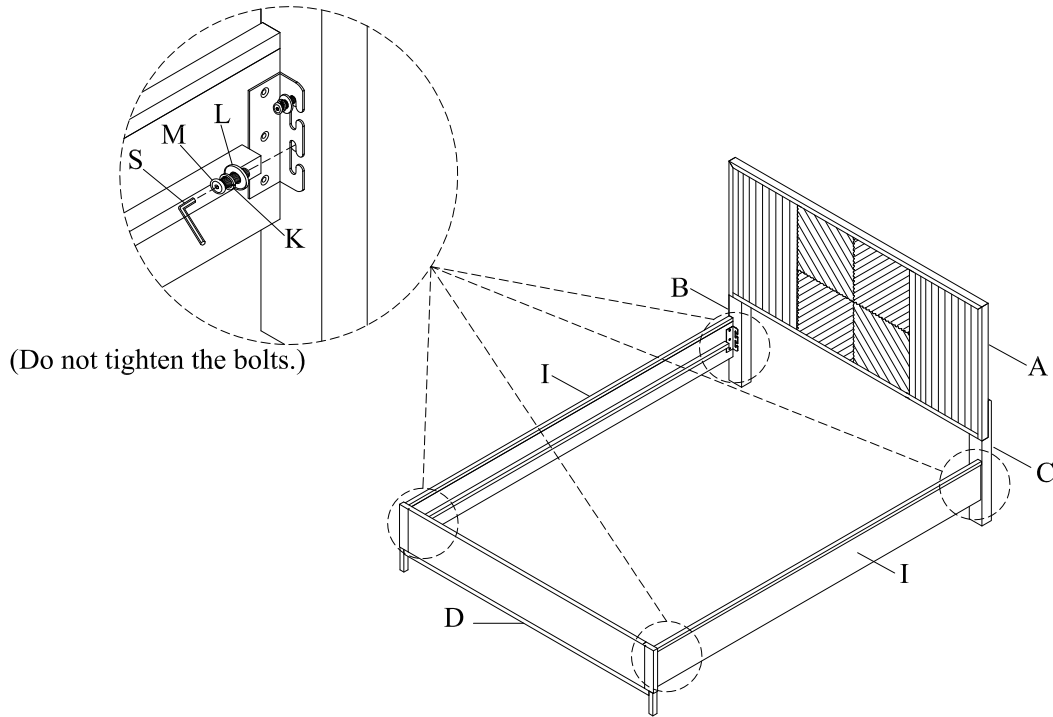
-
- 1** Turn the Headboard (A) upside down on a piece of cloth to prevent from scratches. Attach Left Headboard Leg (B) & Right Headboard Leg (C) to Headboard (A) by inserting Bolt (J), Spring Washer (K) and Flat Washer (L) and tighten with Allen Key (S).



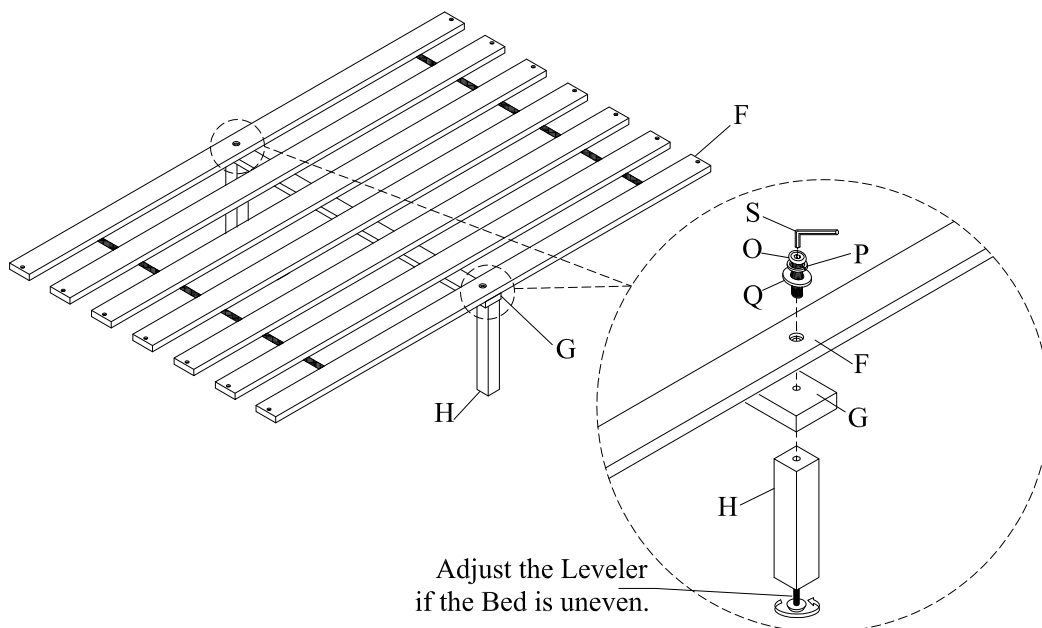
-
- 2** Attach Metal Leg (E) to Footboard (D) by inserting Bolt (N), Spring Washer (P) and Flat Washer (Q) and tighten with Allen Key (S).



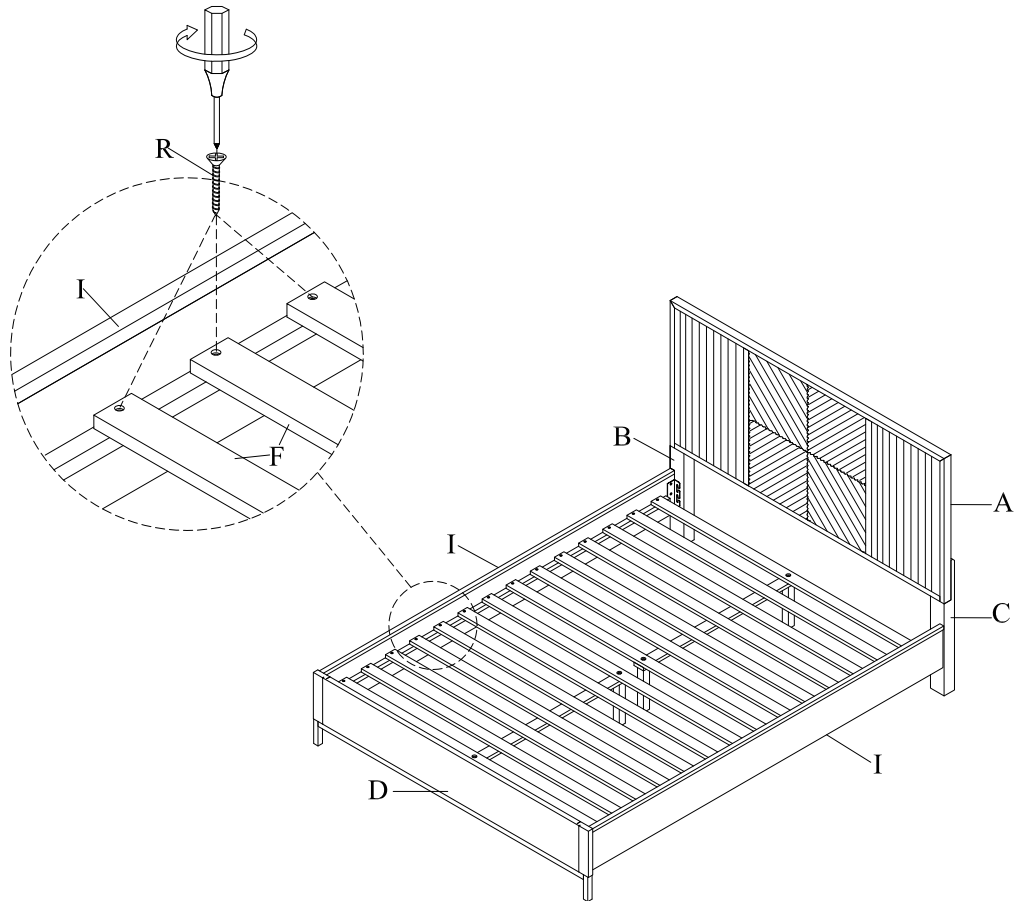
- 3** Insert Bolt (M), Spring Washer (K) and Flat Washer (L) into holes of Metal Brackets of Side Rail (I). Then attach Metal Brackets of Side Rail (I) to Left Headboard Leg (B) & Right Headboard Leg (C) and Footboard (D) by tightening all bolts with Allen Key (S).



- 4** Place Slat Support (G) under the bottom of Slat Support Leg (H) and insert Bolt (O), Spring Washer (P), Flat Washer (Q) to the holes and tighten with Allen Key (S) from the top of Slat (F). Repeat the same process to the other set of Slat (F). Adjust the Leveler under Slat Support Leg (H) if the Bed is uneven.



-
- 5** Spread the Slat (F) and attach to the Side Rail (I) using Screw (R) with Phillips Head Screwdriver (not provided).



Cleaning & Care:

Treat surface with care. Surface is resistant to scratches but is not scratch resistant. Clean surfaces with a dry or damp soft cloth. Do not use abrasive cleaners. Hardware may loosen over time. Periodically check that all connections are tight.