

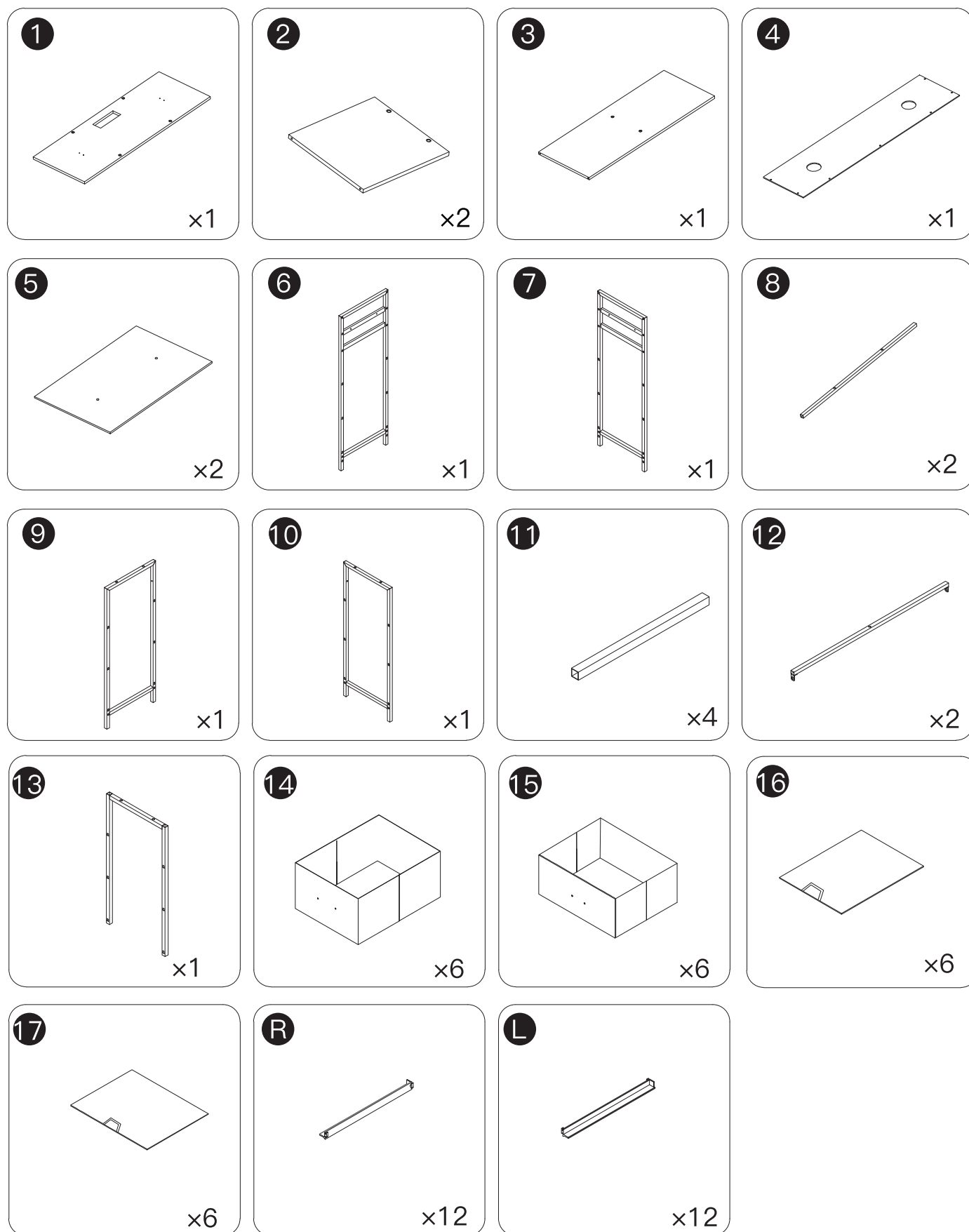
ASSEMBLY INSTRUCTIONS

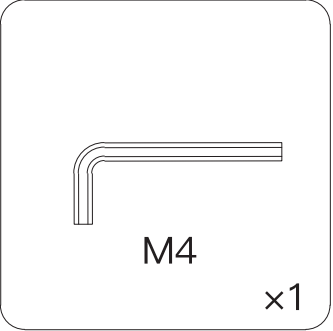
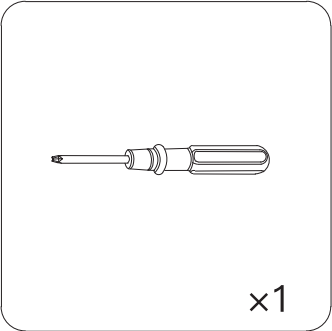
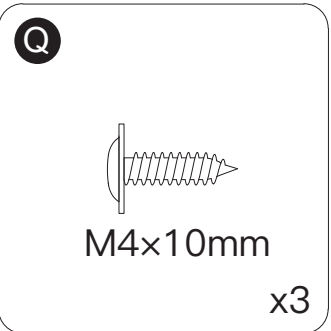
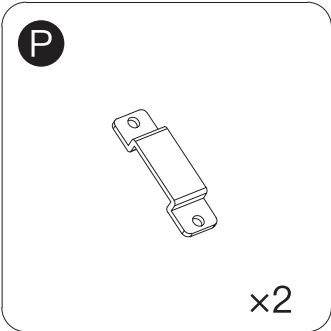
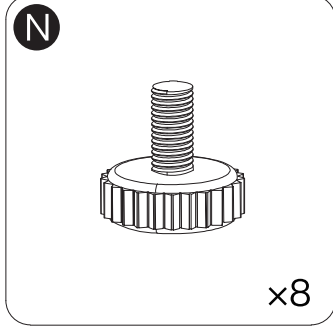
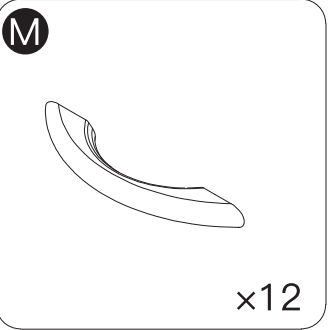
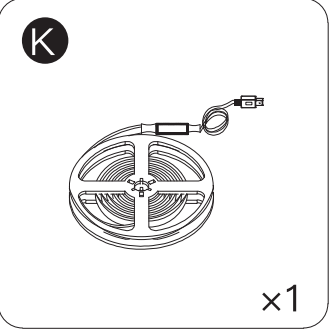
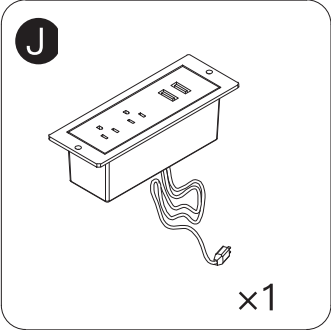
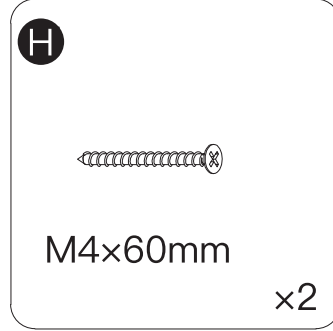
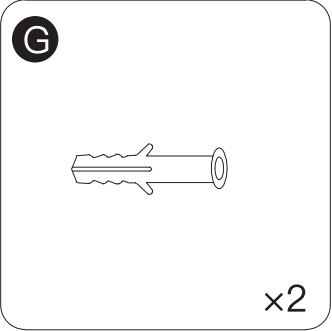
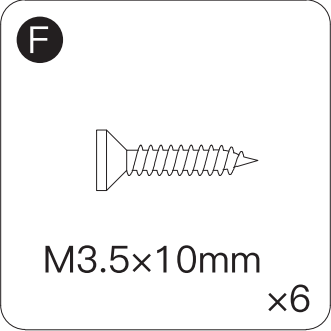
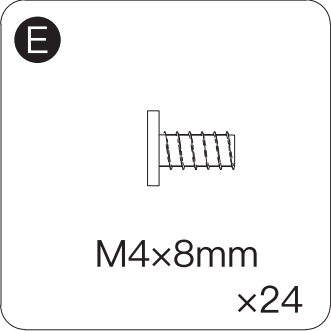
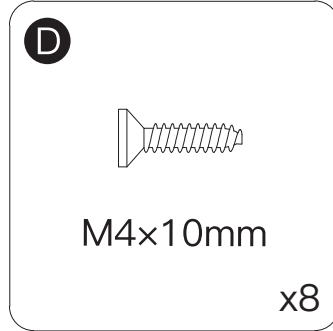
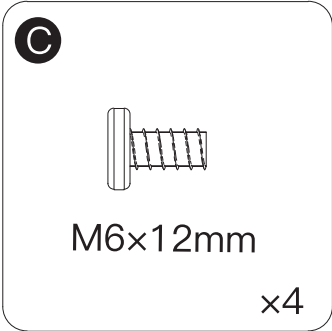
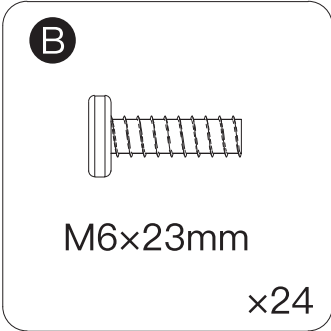
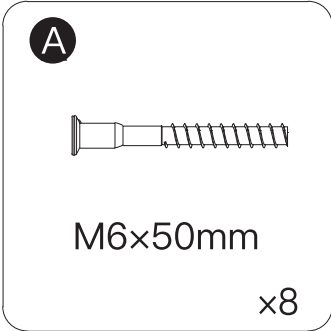


Please check all parts and accessories according to the parts list before assembling, make sure all contents are sufficient and in good condition.

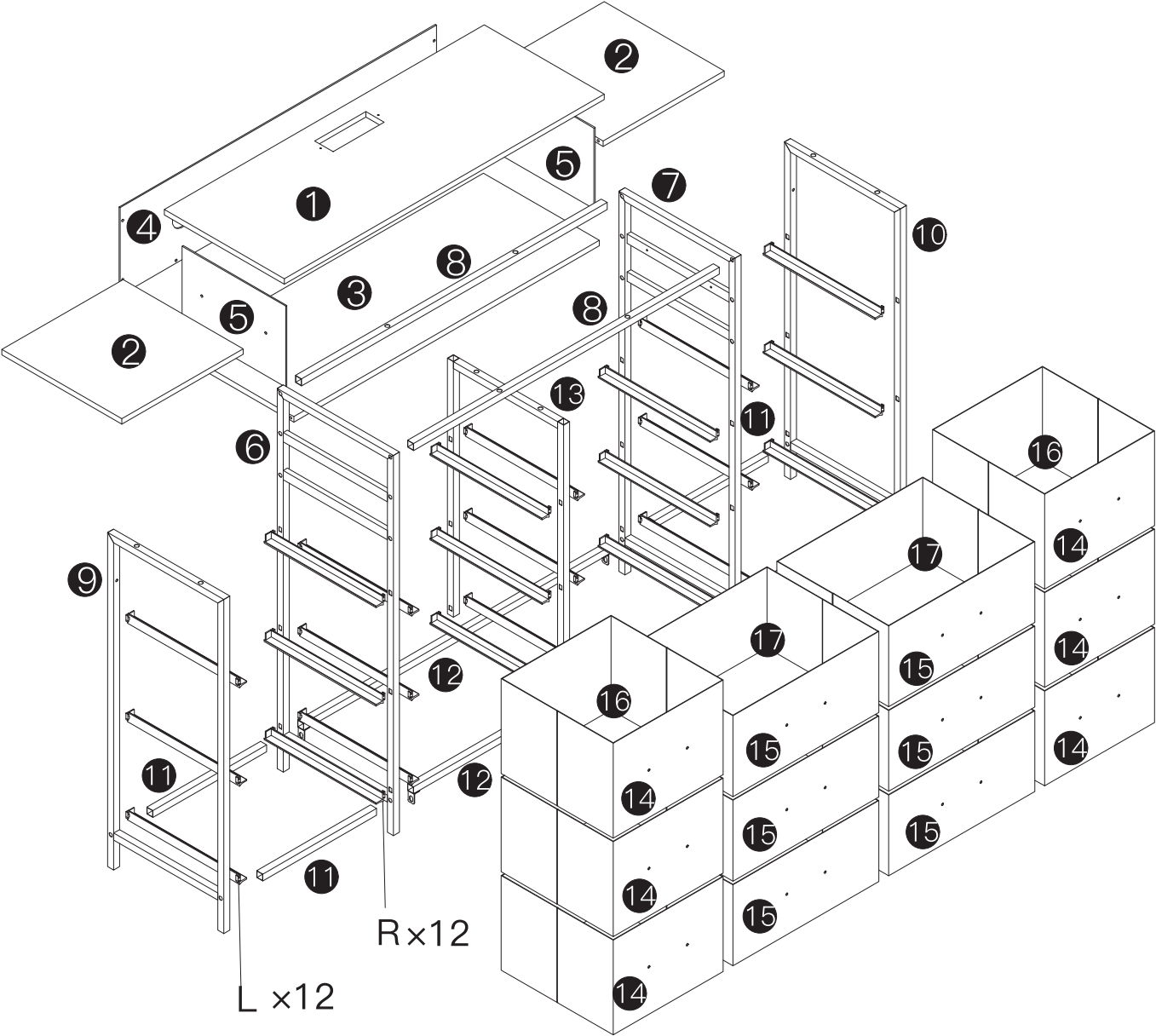
If there is any parts missing or defective, please contact us with purchase platform message immediately to get replacement parts.

PARTS:



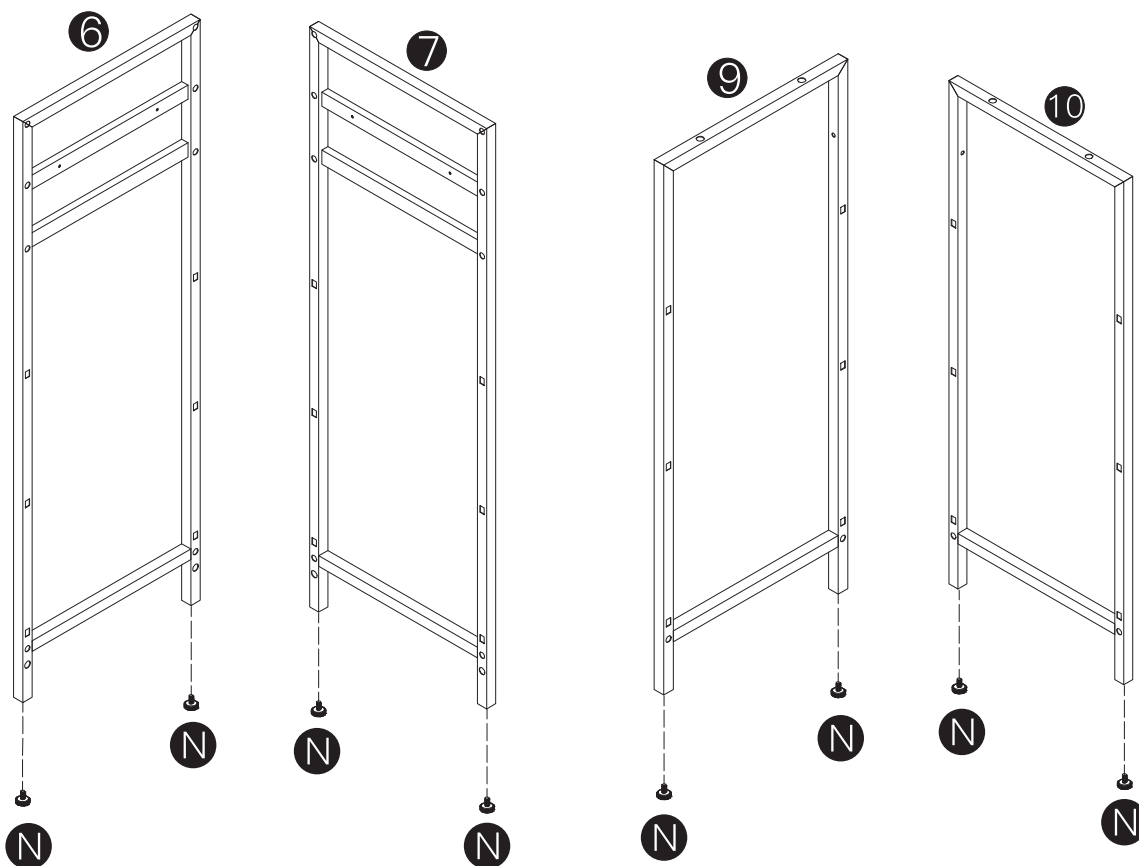
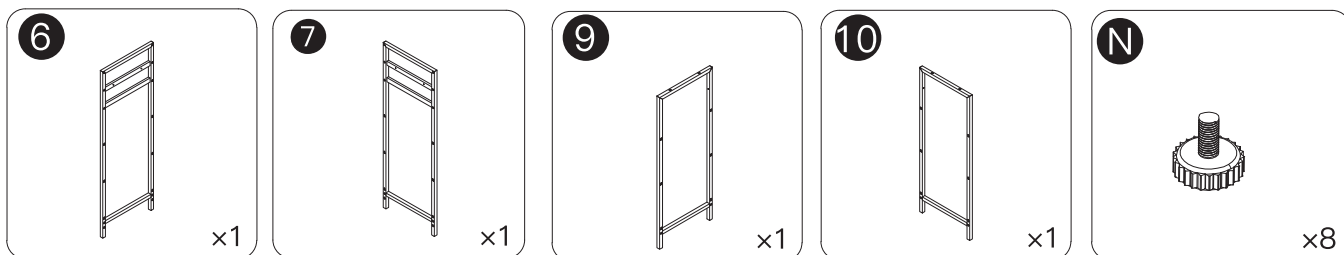


EXPLODED DRAWING:

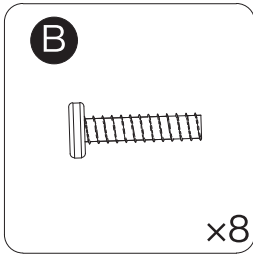
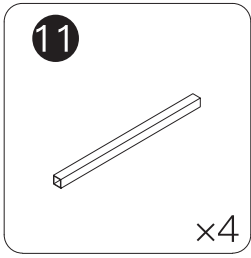


HOW TO INSTALL

STEP 1



STEP 2

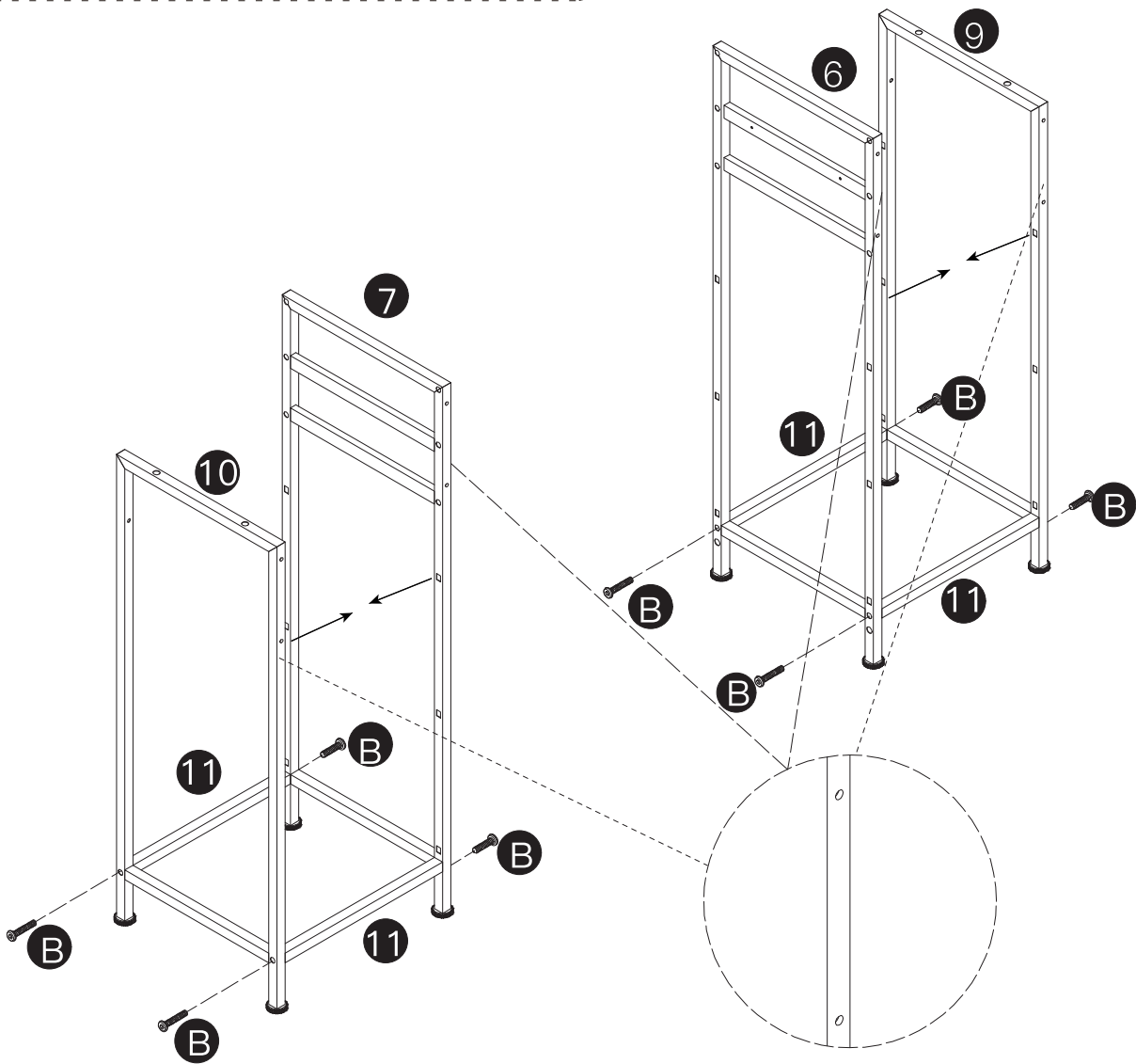


NOTICE:

Make sure the square holes of part 7 & 10, 6 & 9 are facing inwards.

FRONT

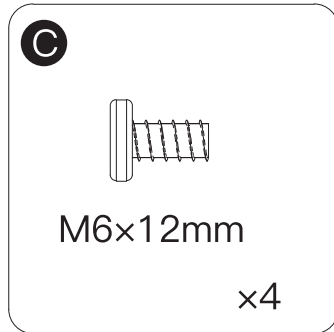
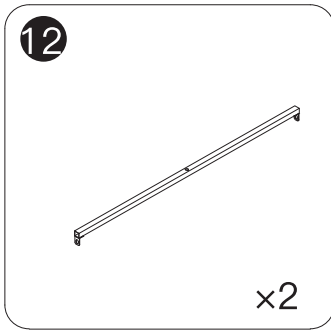
BACK



NOTICE:

The side with 2 holes faces backwards.

STEP 3



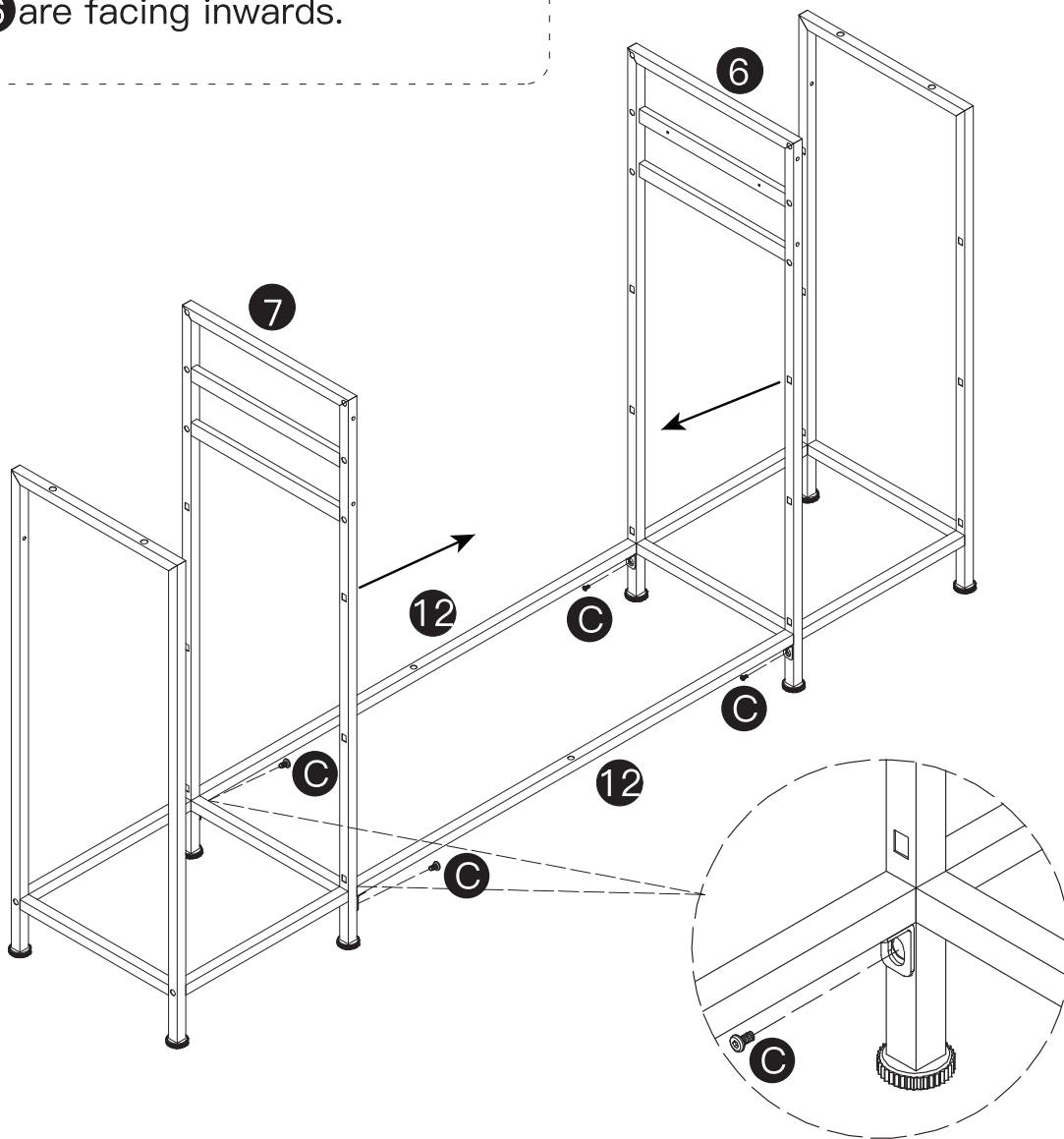
NOTICE:

Make sure the square holes of part **7** & **6** are facing inwards.

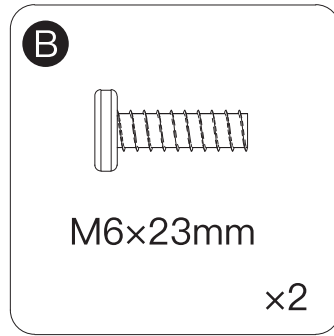
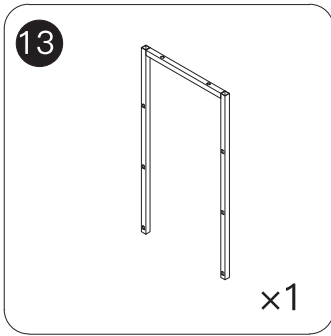
FRONT



BACK



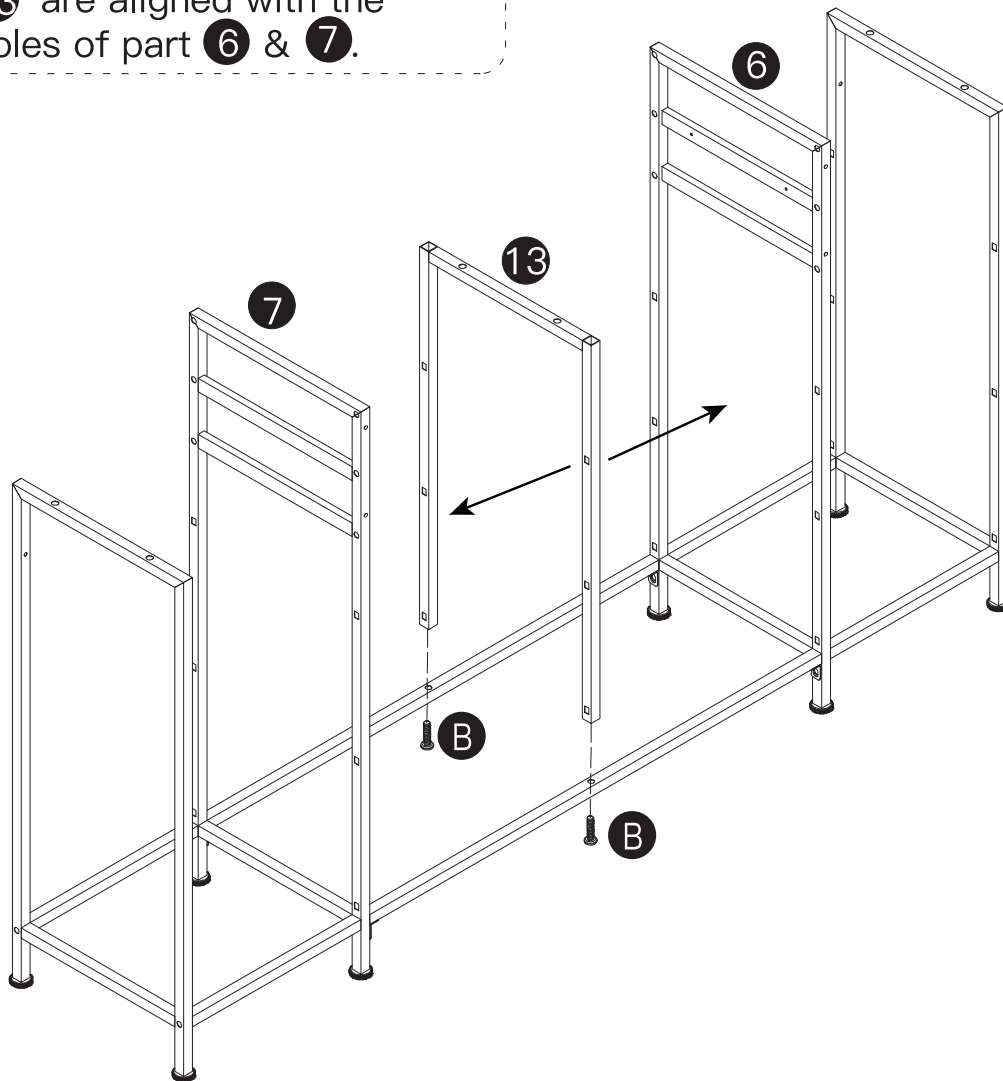
STEP 4



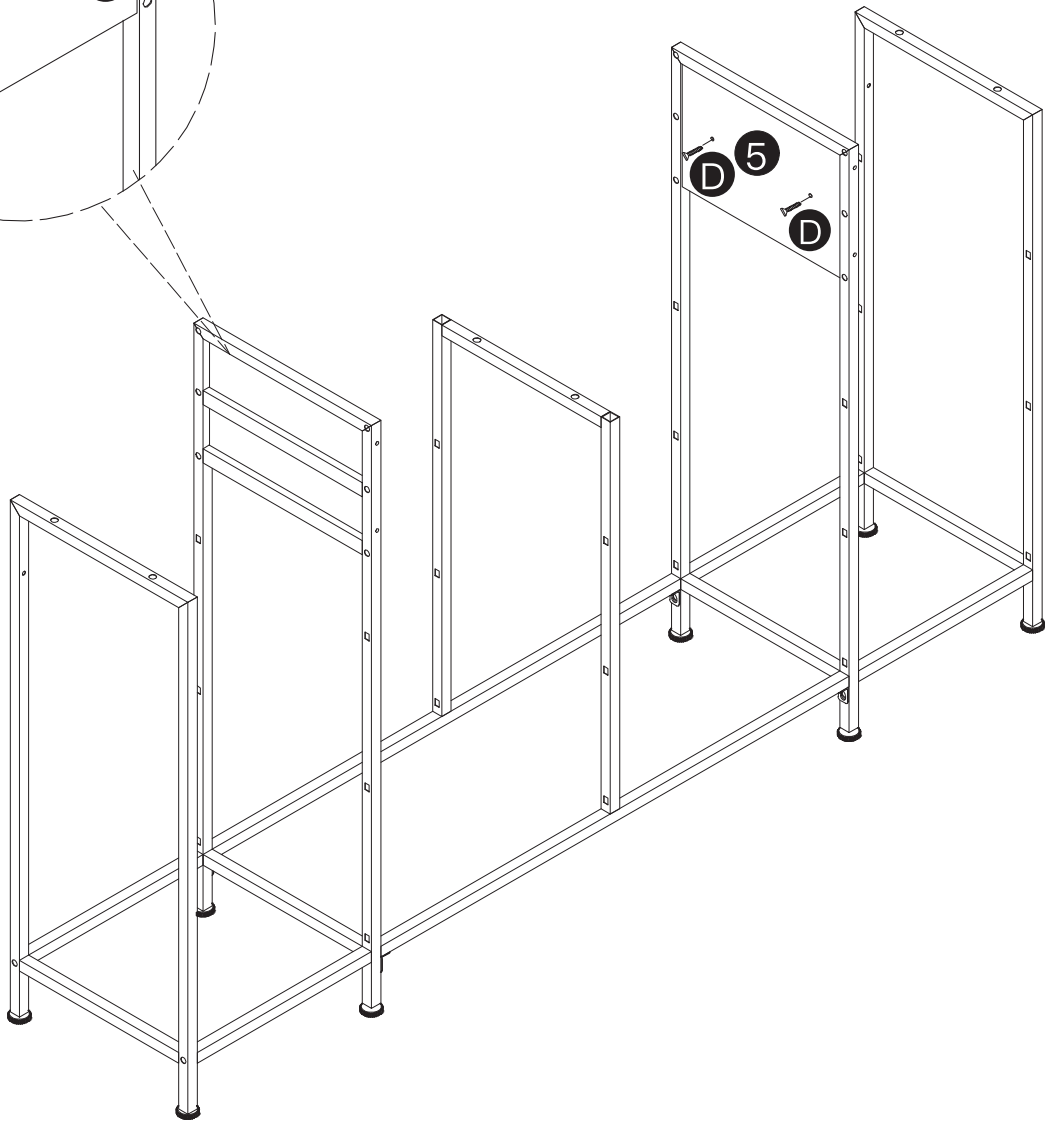
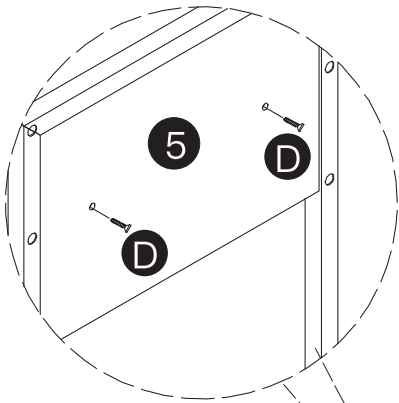
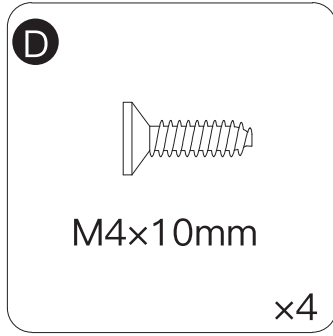
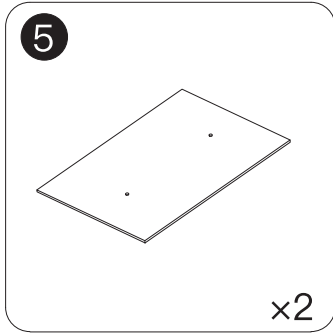
NOTICE:

Please ensure that the square holes of part 13 are aligned with the square holes of part 6 & 7.

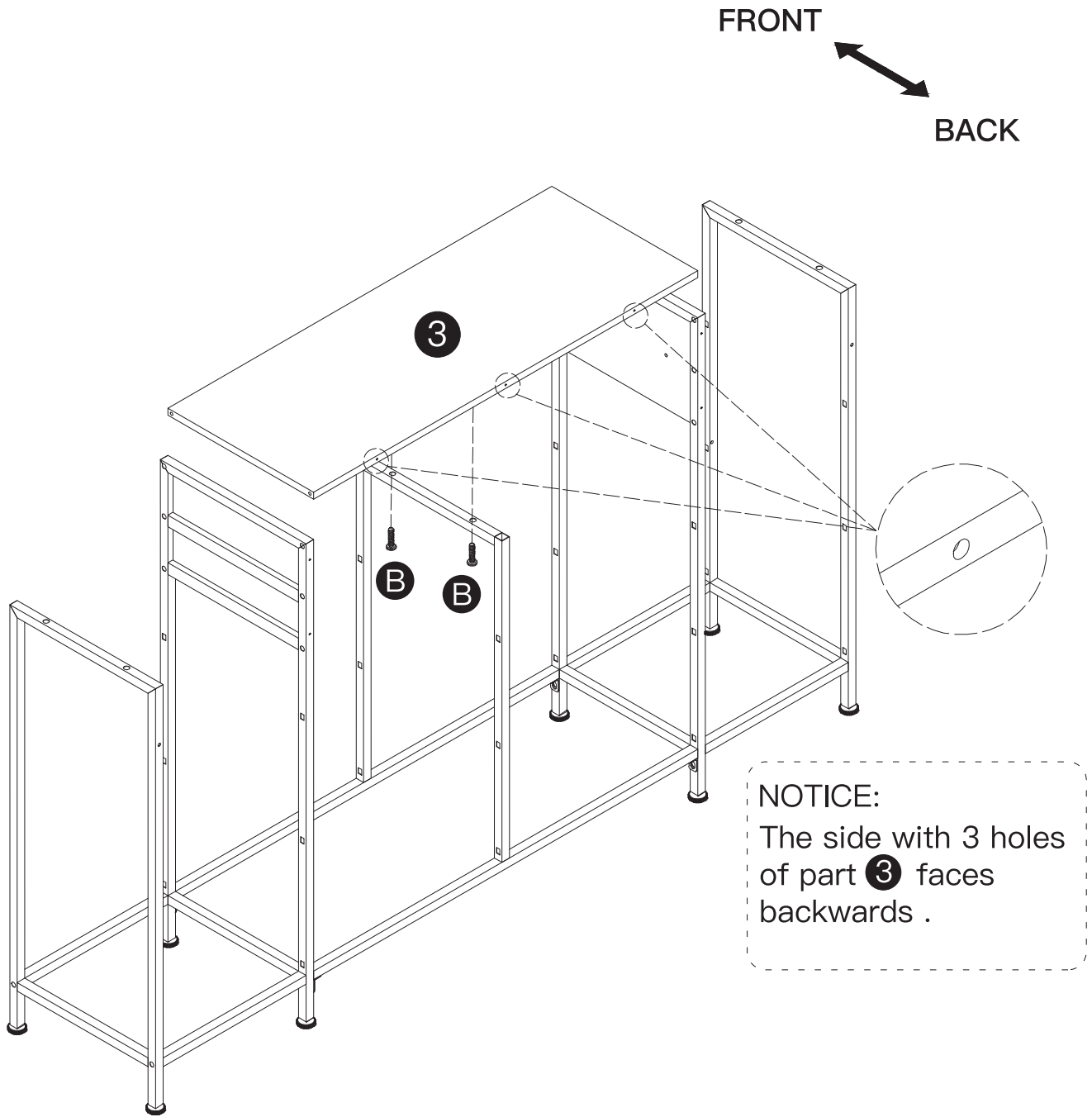
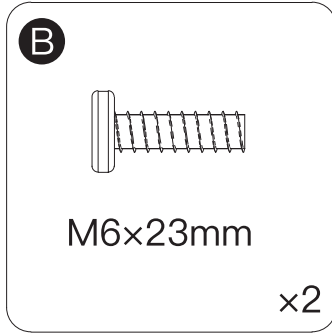
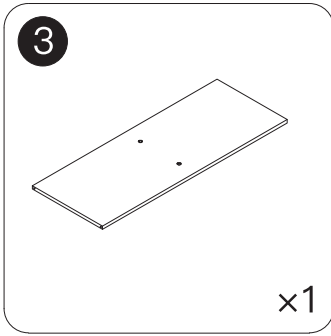
FRONT



STEP 5

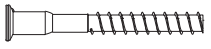


STEP 6



STEP 7

A



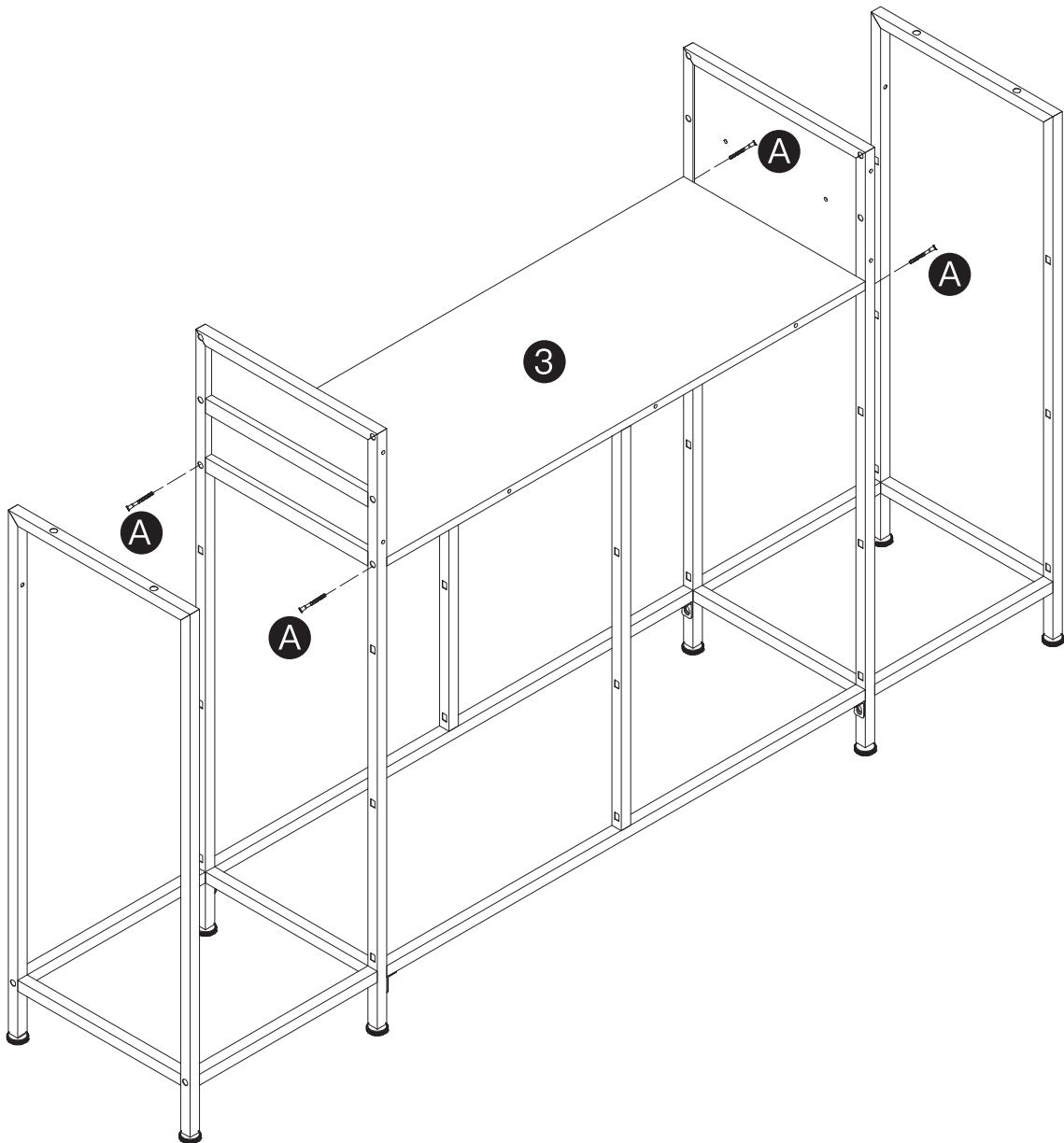
M6x50mm

x4

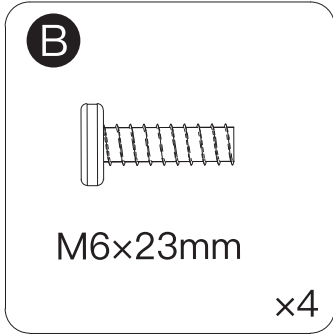
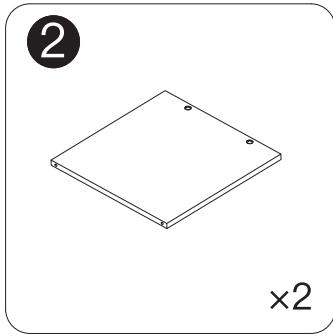
FRONT



BACK



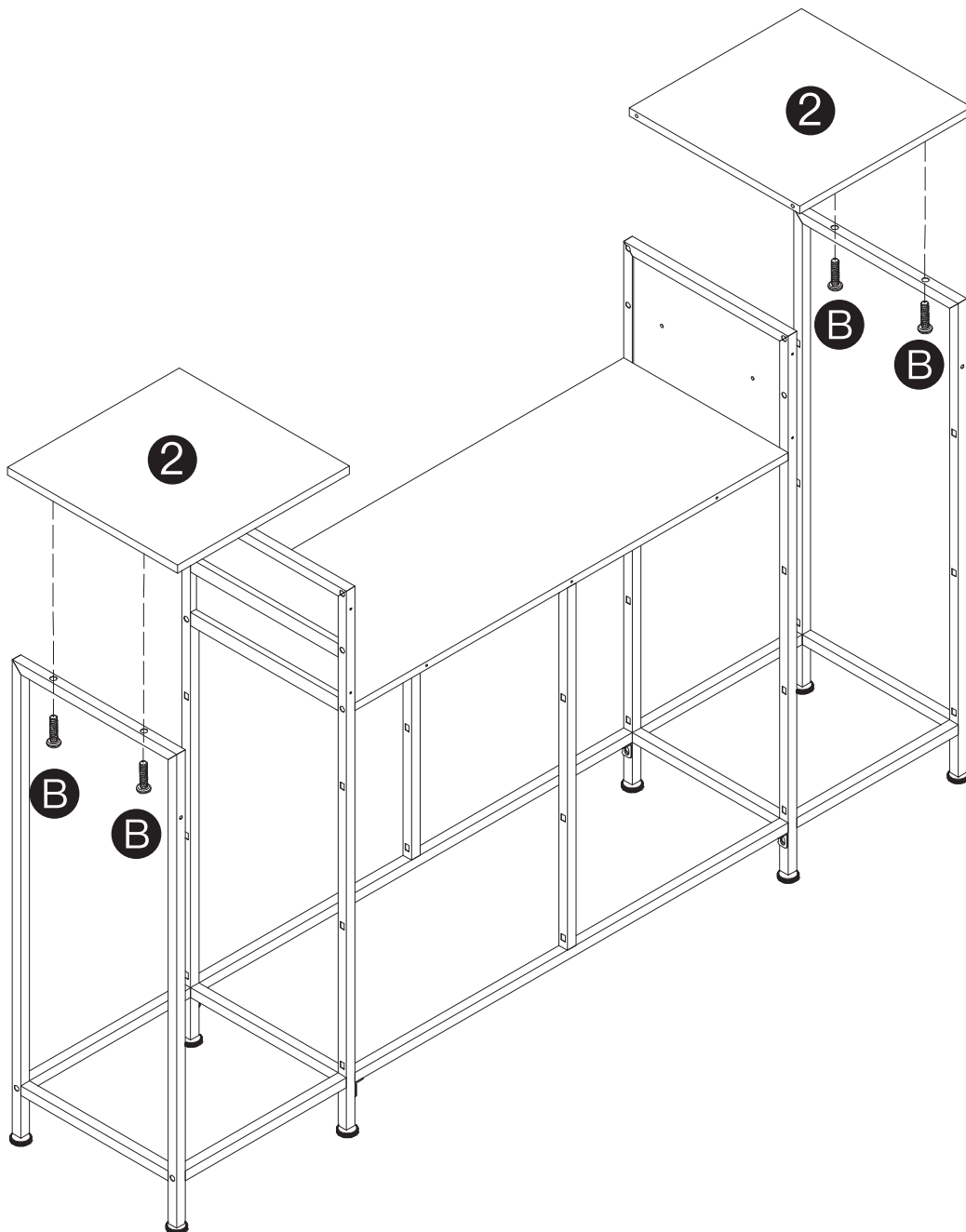
STEP 8



FRONT

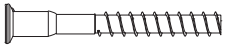


BACK



STEP 9

A



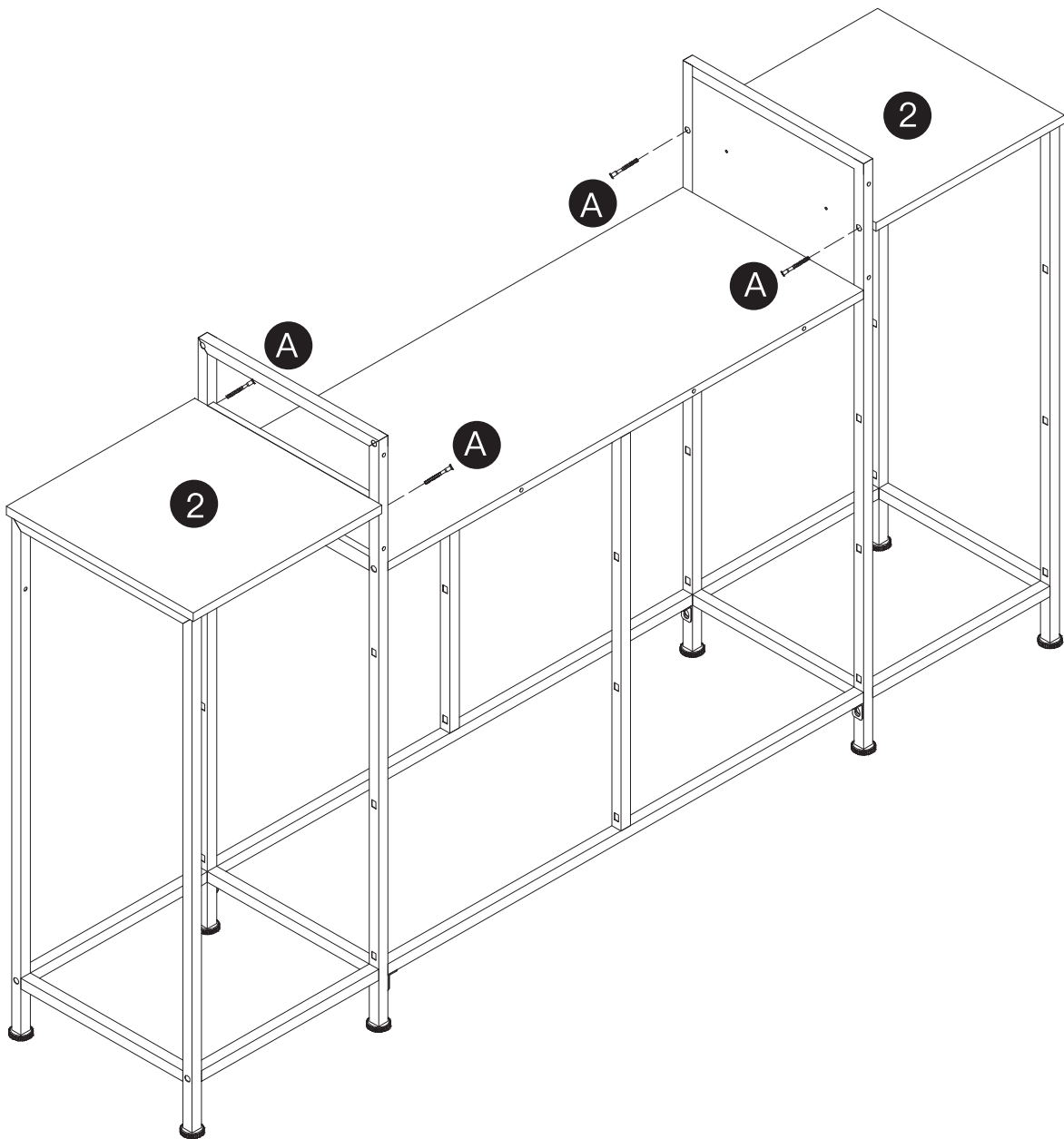
M6x50mm

x4

FRONT

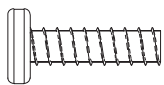


BACK



STEP 10

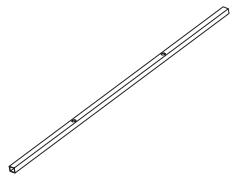
B



M6x23mm

x4

8



x2

FRONT



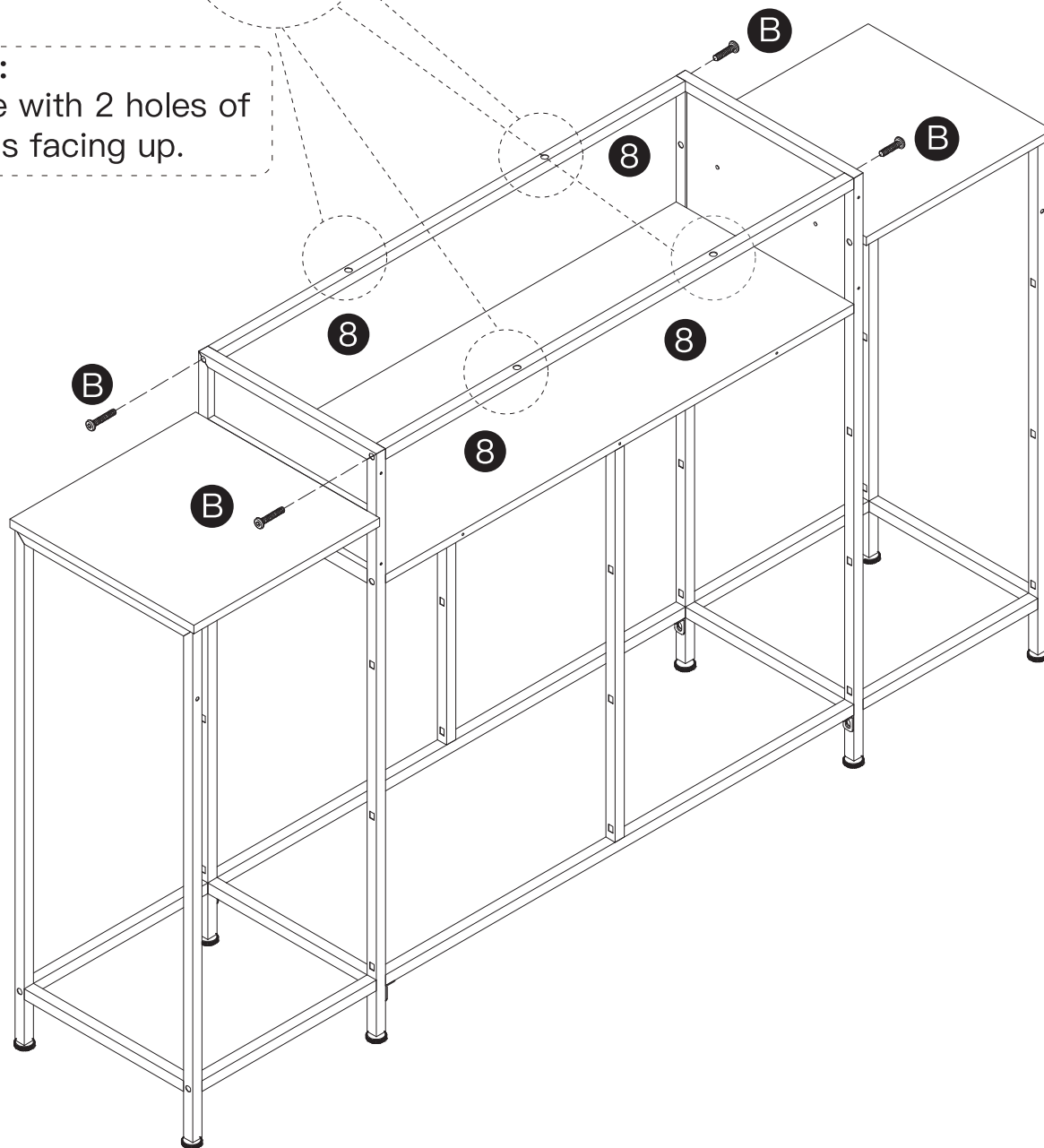
BACK

NOTICE:

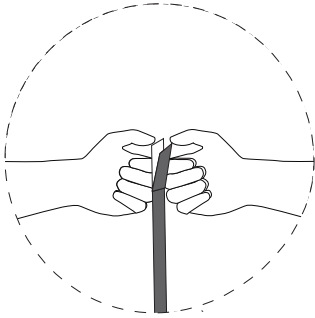
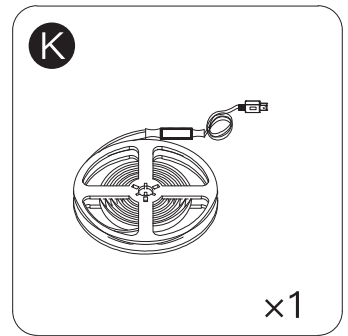
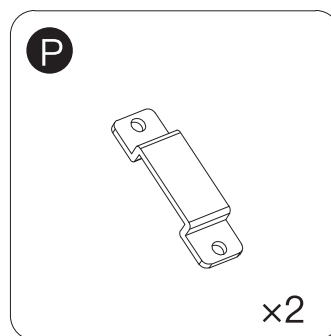
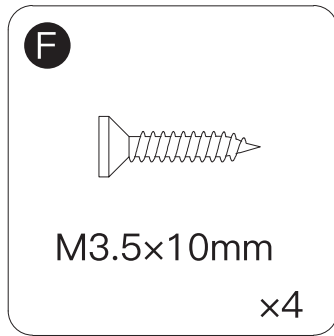
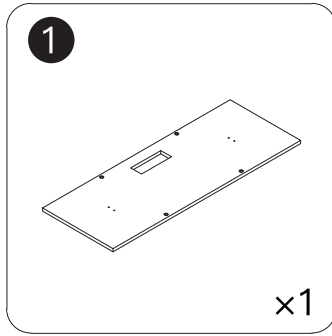
Please rotate the frame that installed in step 10 firstly.

NOTICE:

The side with 2 holes of part **8** is facing up.

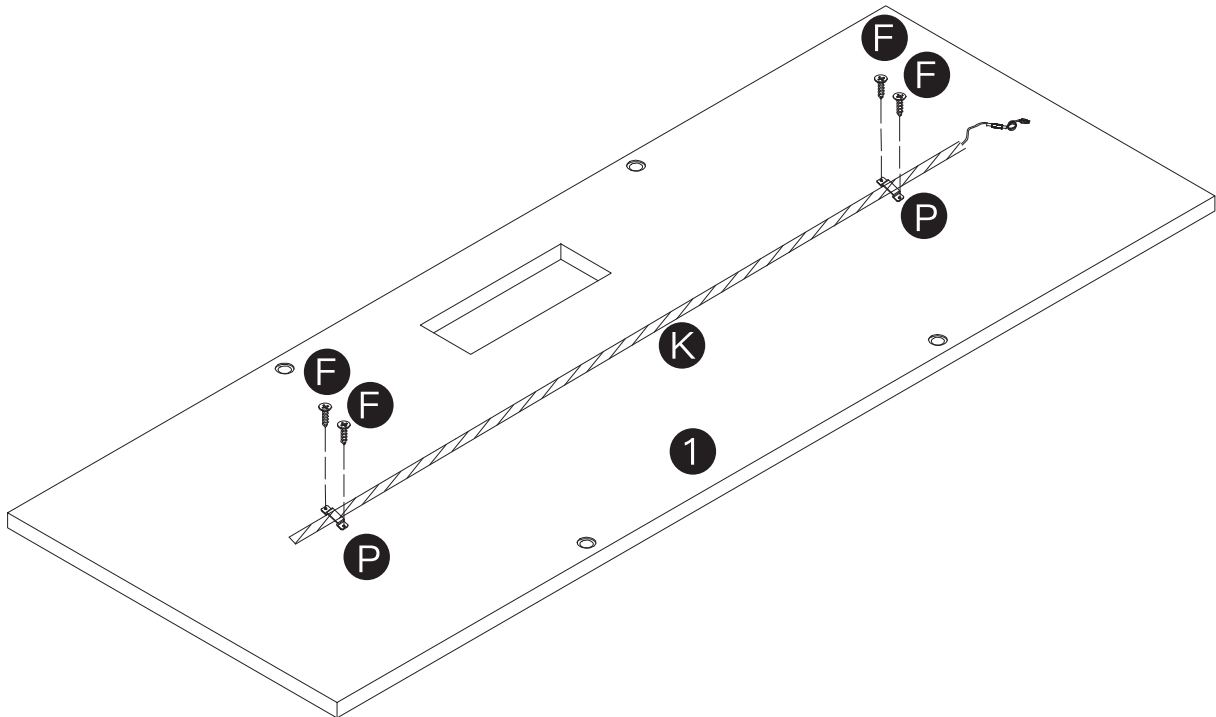


STEP 11



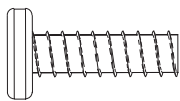
NOTICE:

Please remove the tape from the back of part **K**.



STEP 12

B



M6x23mm

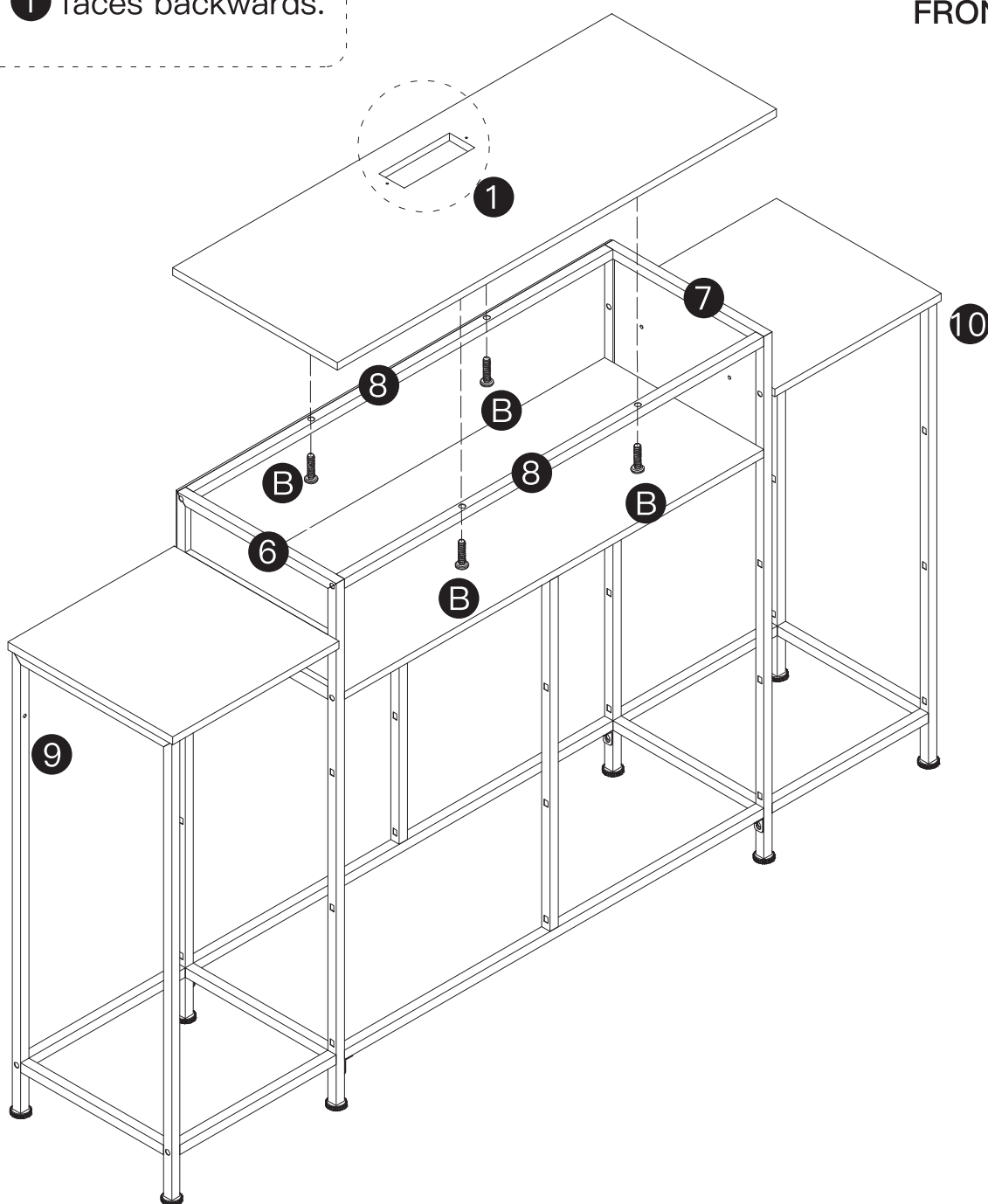
x4

NOTICE:

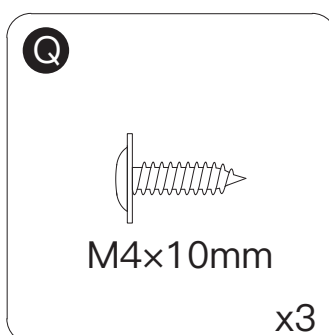
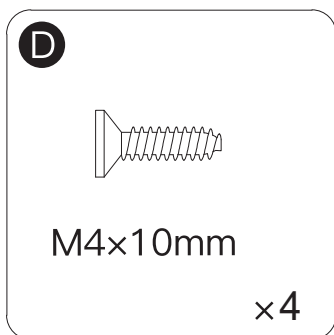
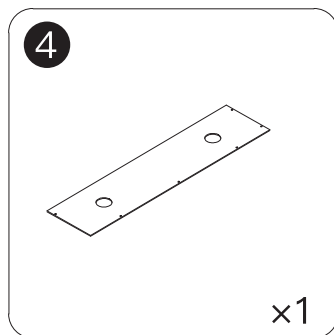
Please ensure that the square hole of part **1** faces backwards.

BACK

FRONT

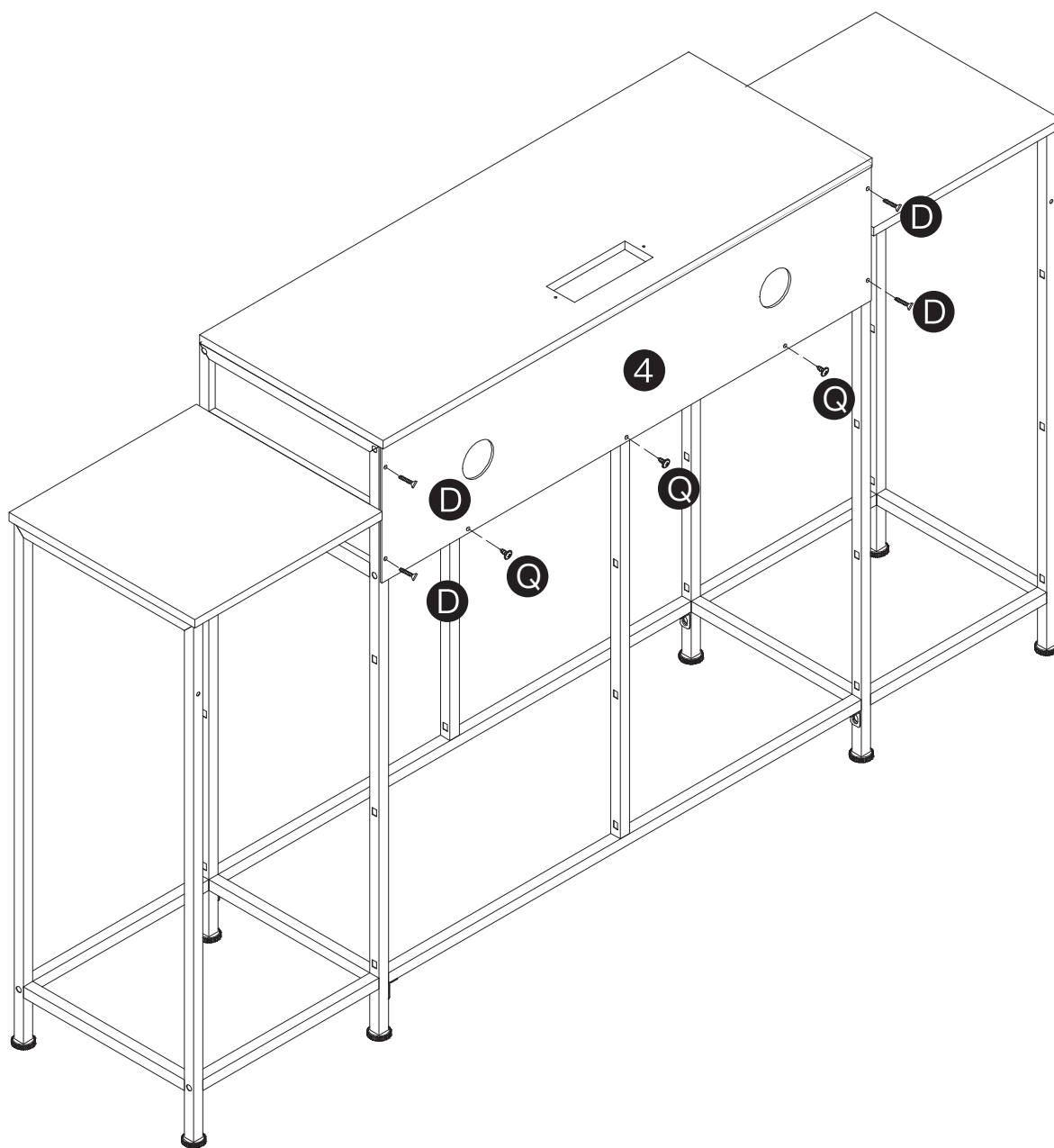


STEP 13

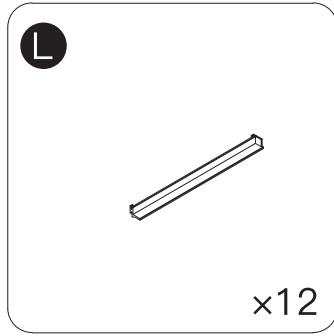
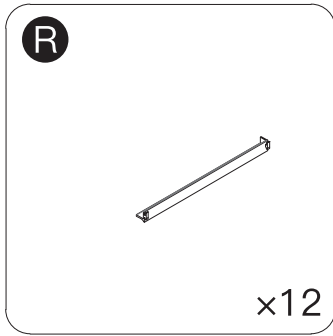


FRONT

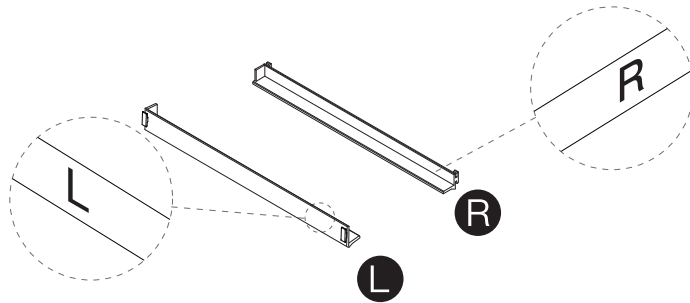
BACK



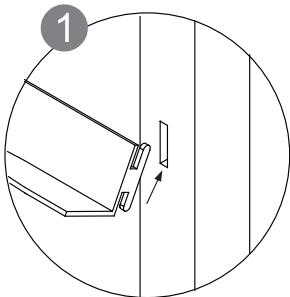
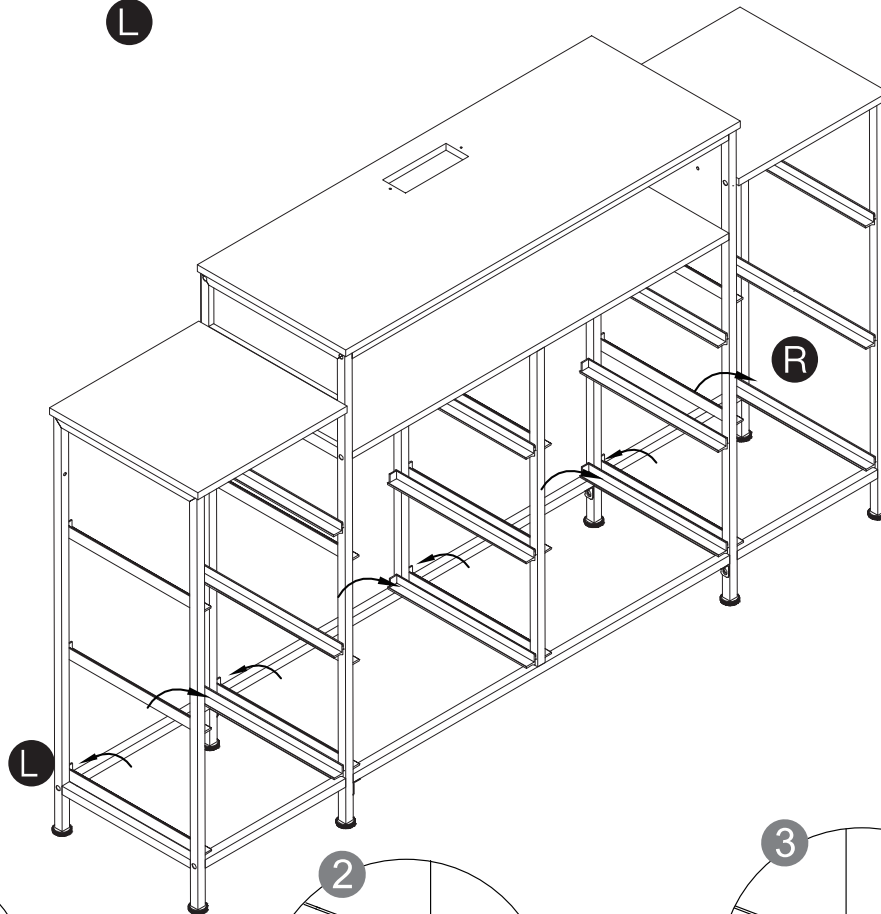
STEP 14



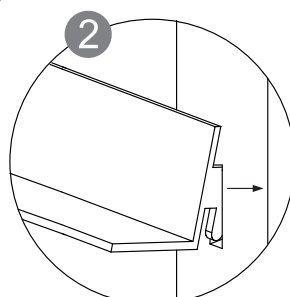
BACK
FRONT



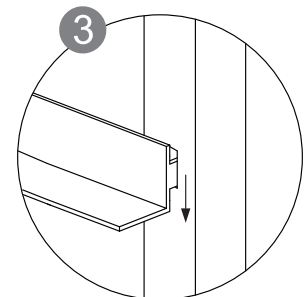
There's a corresponding L and R mark on each part located in a specified spot designed to distinguish them from each other easily.



1
Insert the upper part into the square hole.



2
Then insert the rest part horizontally.



3
Press down the rail to ensure proper installation.

STEP 15

G



x2

H



M4x60mm

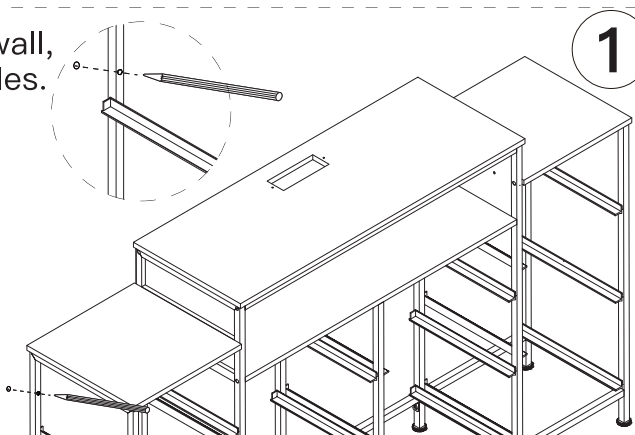
x2

NOTICE:

Electric drill does not included in our parts, please prepare it by yourself.

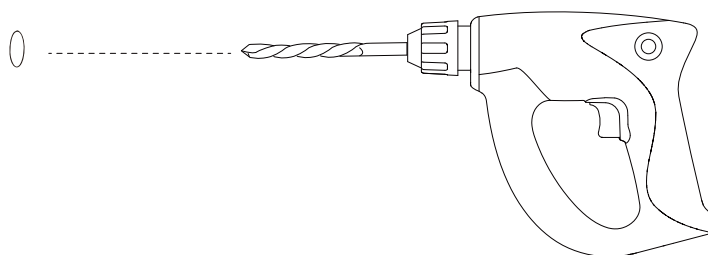
Place the rack against the wall, locate and mark out two holes.

WALL



WALL

2



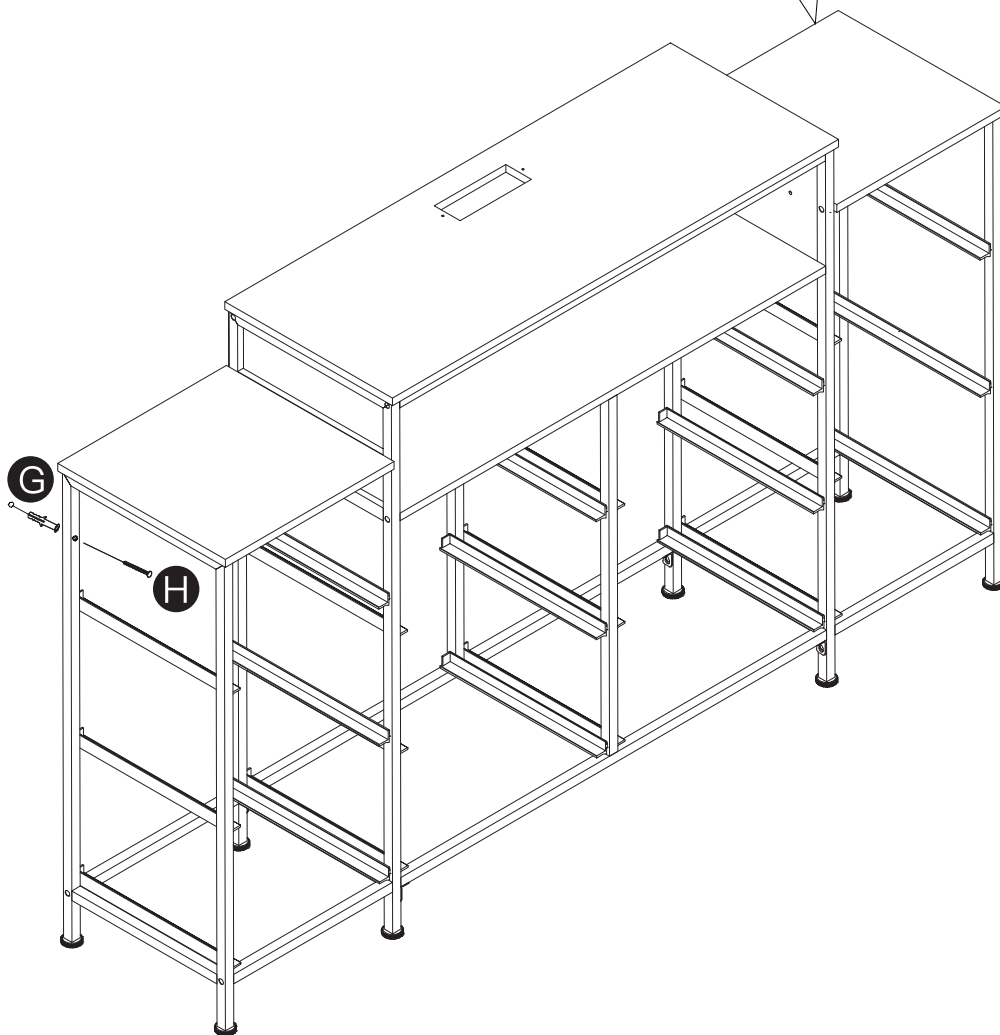
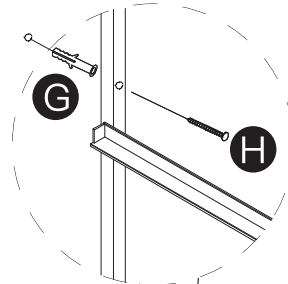
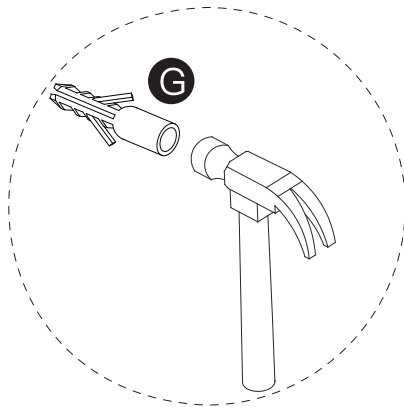
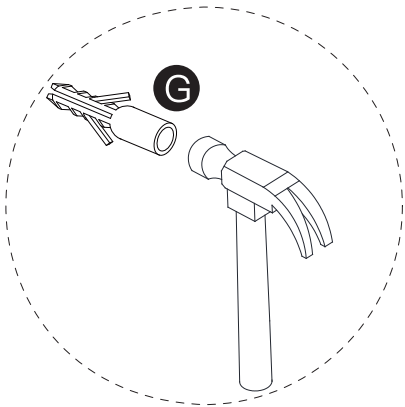
WALL

3

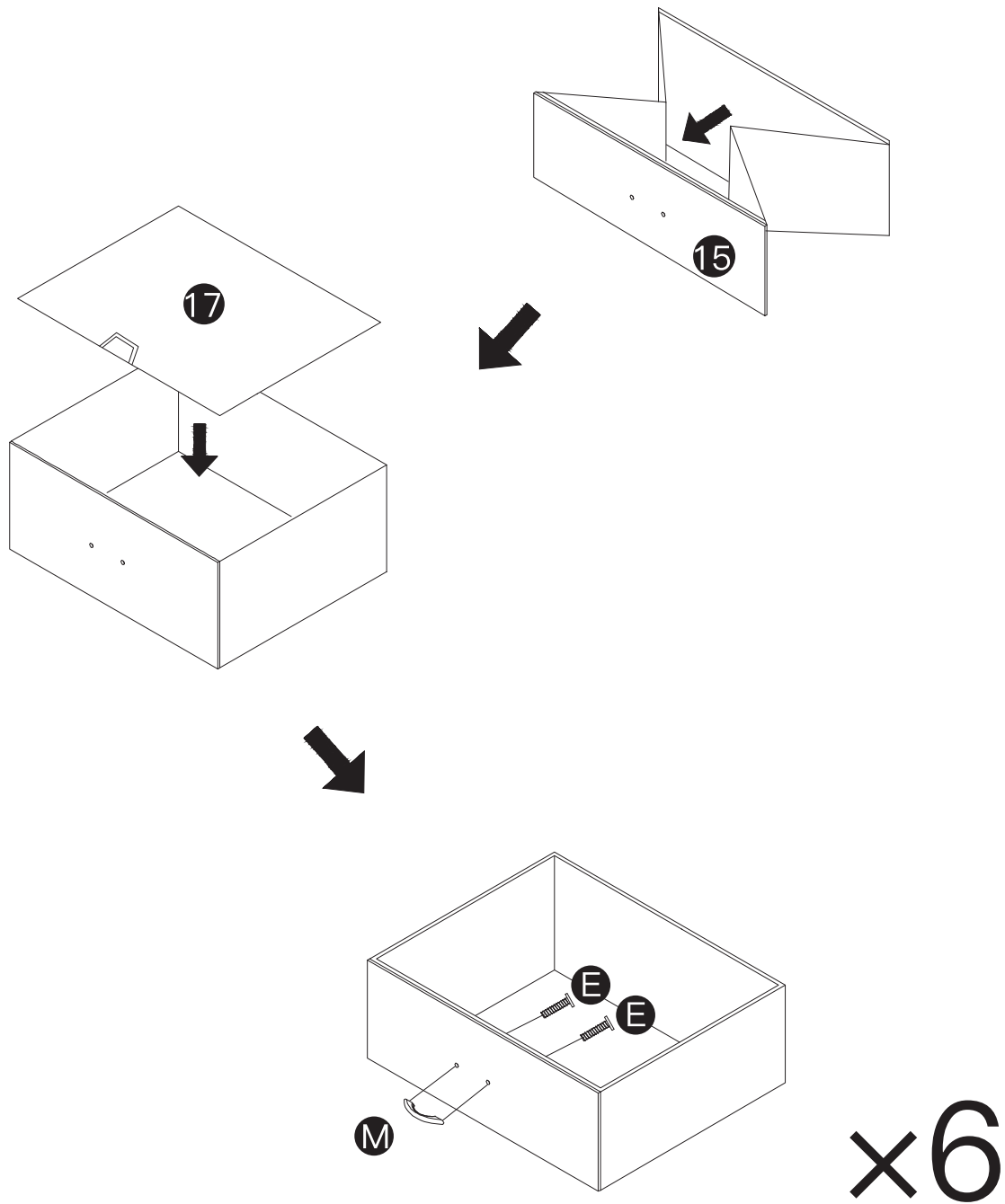
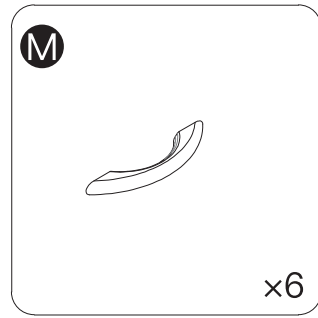
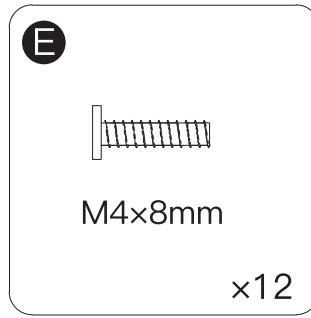
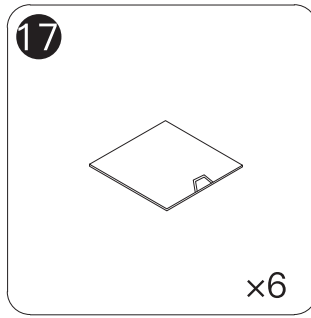
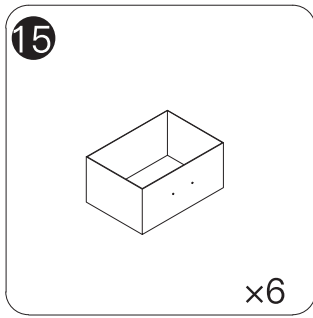


4

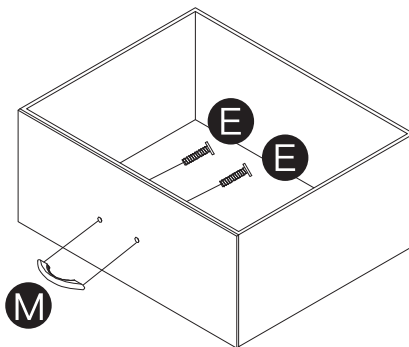
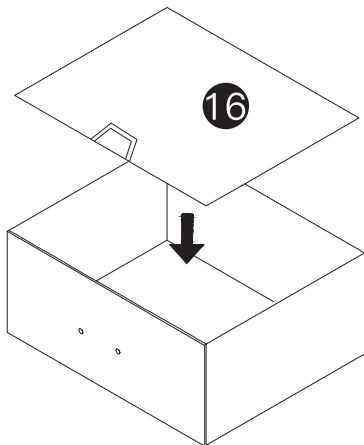
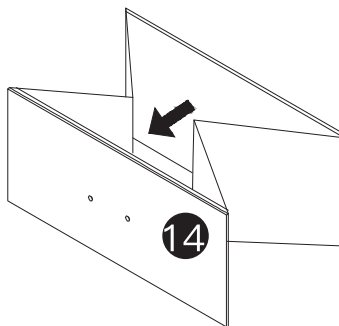
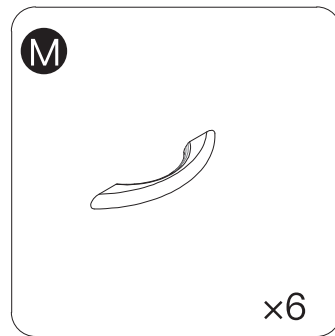
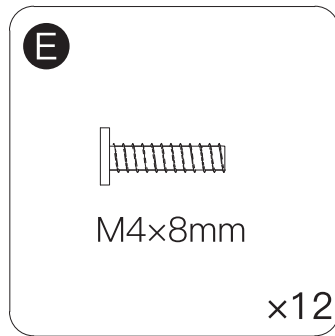
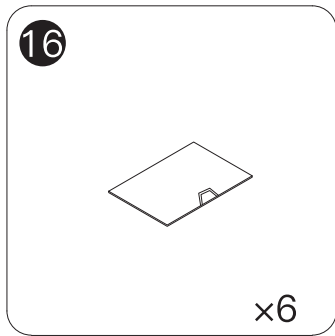
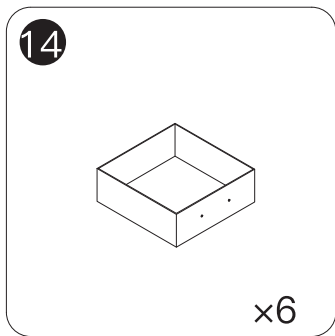
WALL



STEP 16

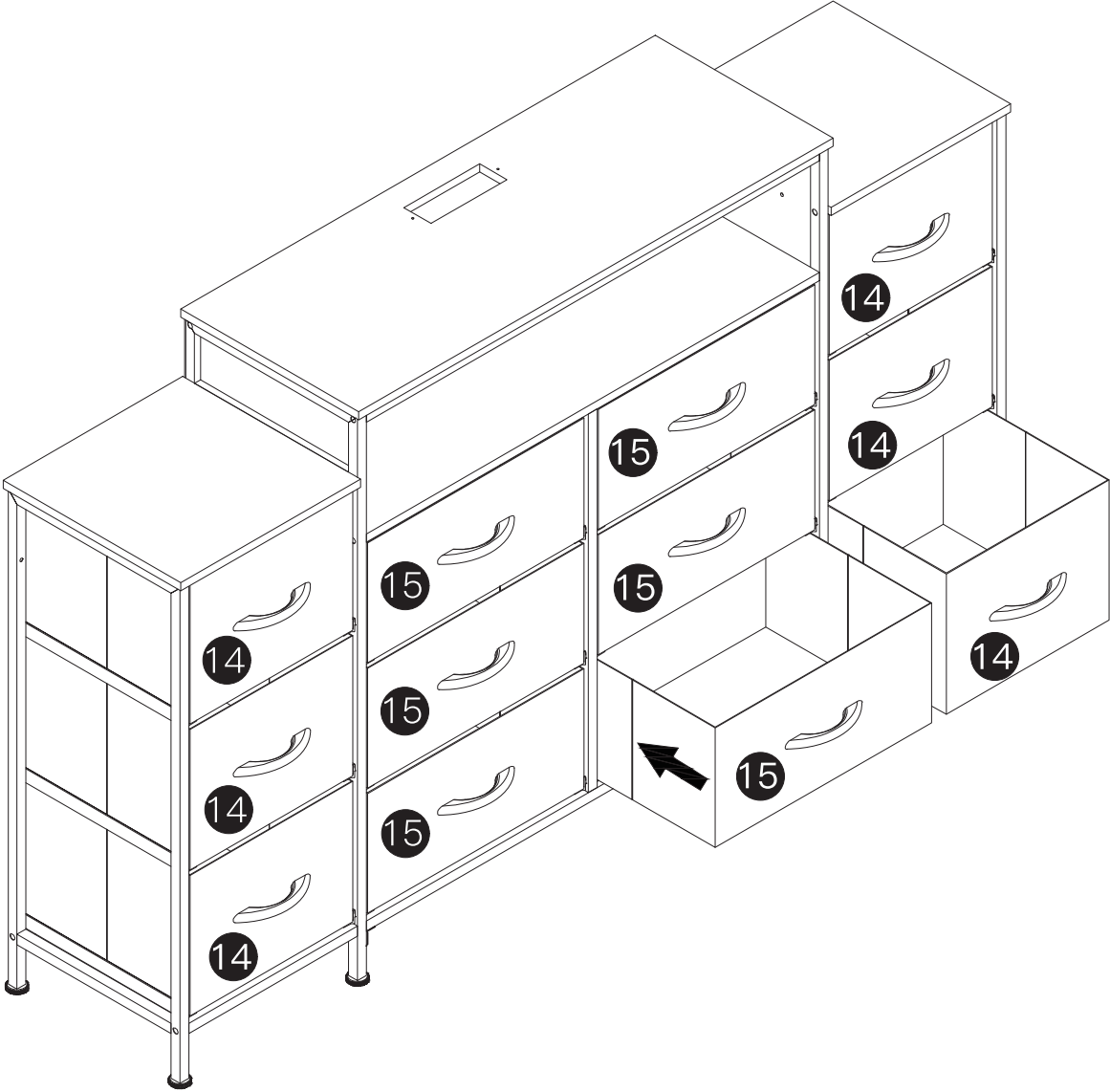


STEP 17



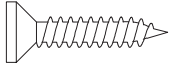
x6

STEP 18



STEP 19

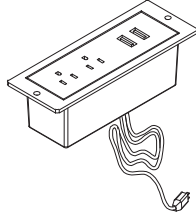
F



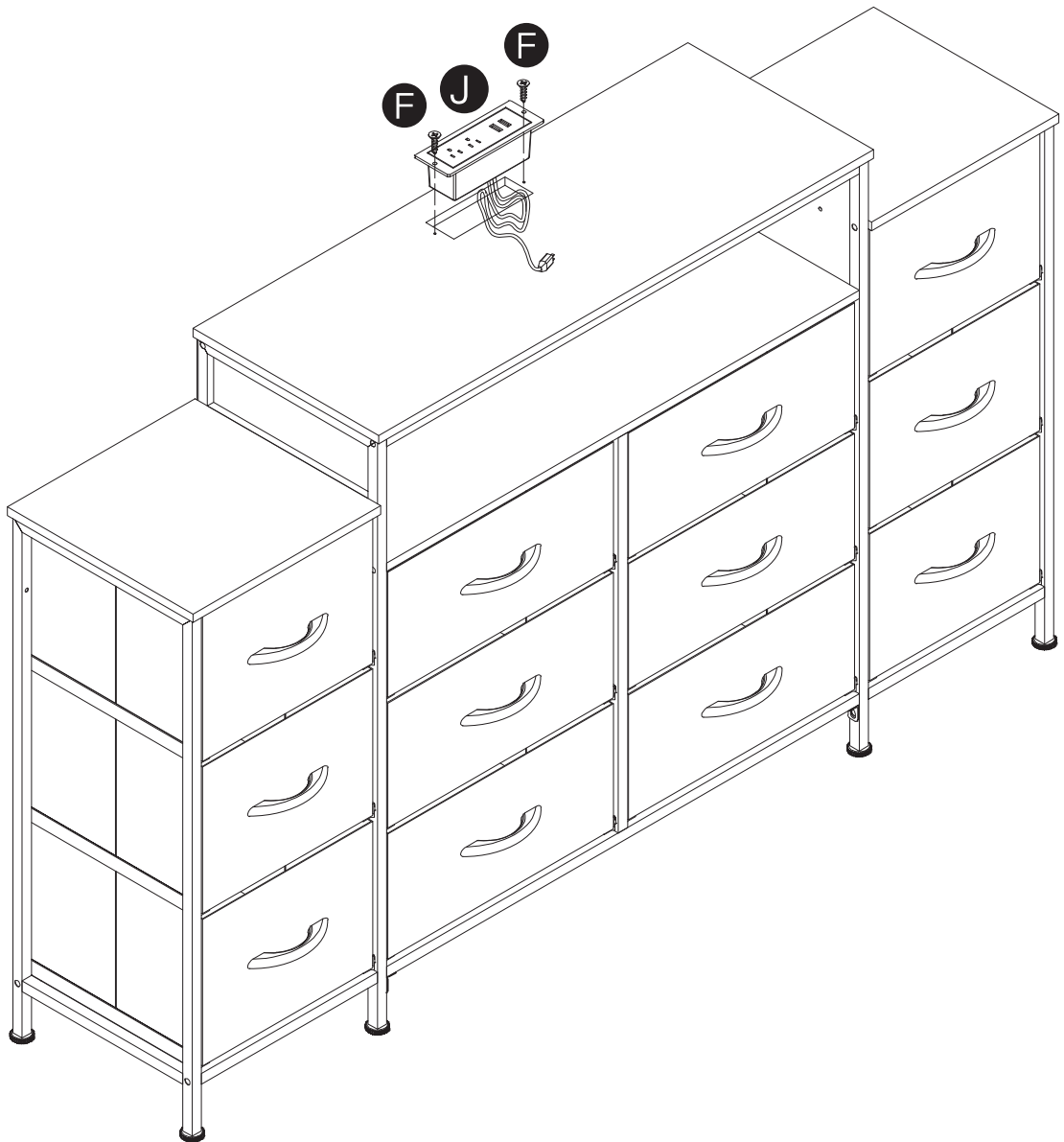
M3.5x10mm

x2

J



x1



AFTERSALE SERVICE

Dear customer,

Thank you so much for purchasing the product from us, we really appreciate your support.

We are aimed to provide the best shopping experience to our customers. We also want to build a mutually beneficial relationship with our customers, and step further to make our brand both reliable, responsible and recommendable.

We hope that our products could meet your needs and expectations, please consider us again if you need more products for your home and kitchen.

The package would be out of our control during shipping, please contact us through your purchasing channel directly if there is anything wrong with the box or contents. We are always here offering you our service.

We will reply your messages within 24 hours, please kindly wait for the response from our professional service team.

Your comfort and contentment are of utmost importance.

Best Regards,
Customer Care Specialist