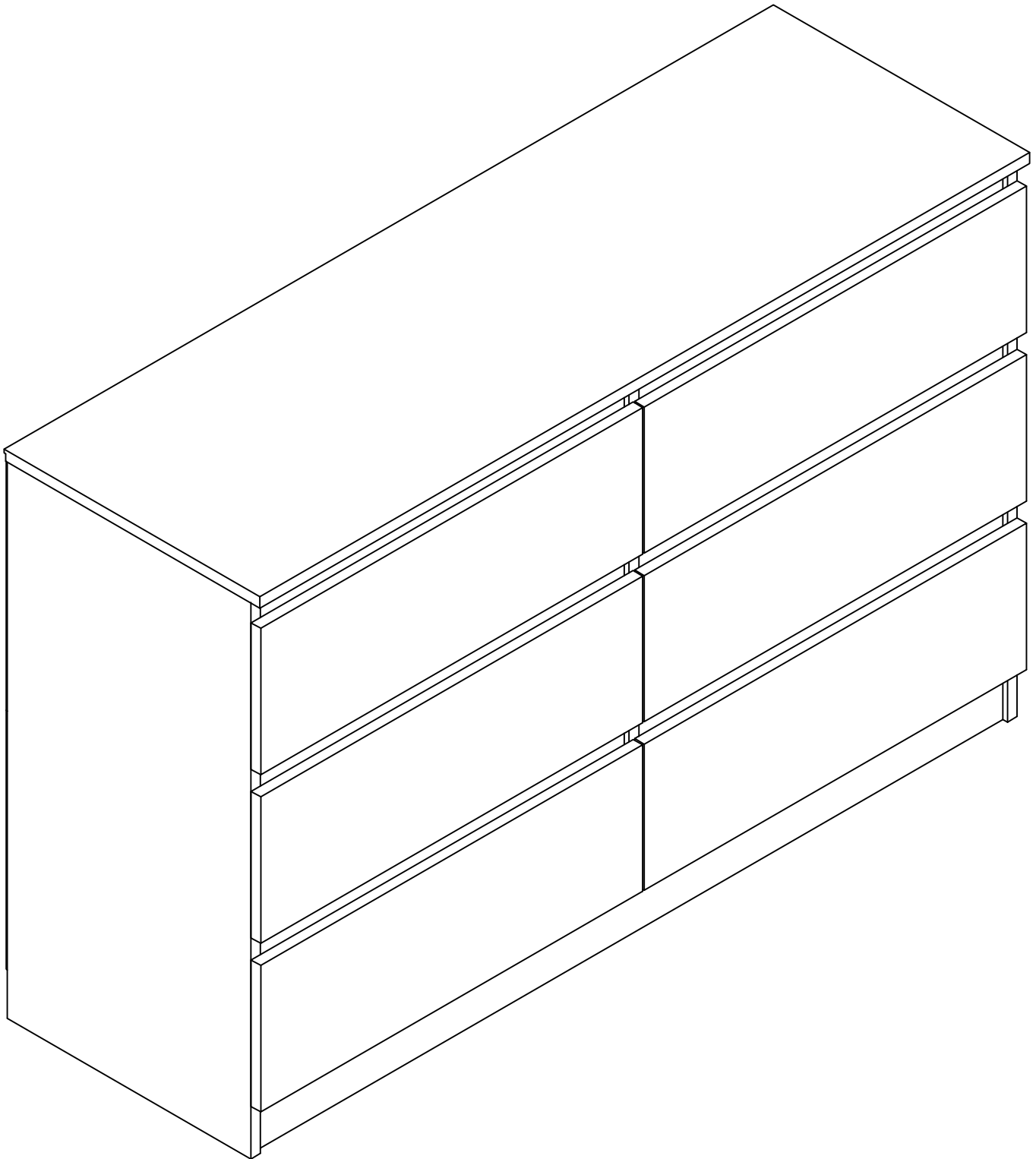


3+3 DRAWER CHEST

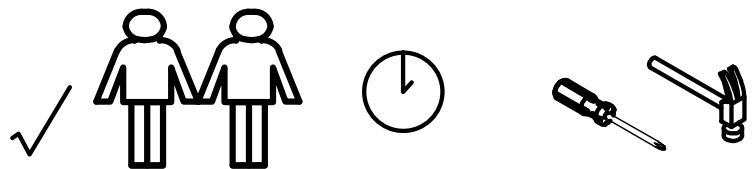
ASSEMBLY INSTRUCTION - Please Keep For Future Reference



Safety and Care Advice

IMPORTANT - Please Read This Instruction Carefully Before Assembly.

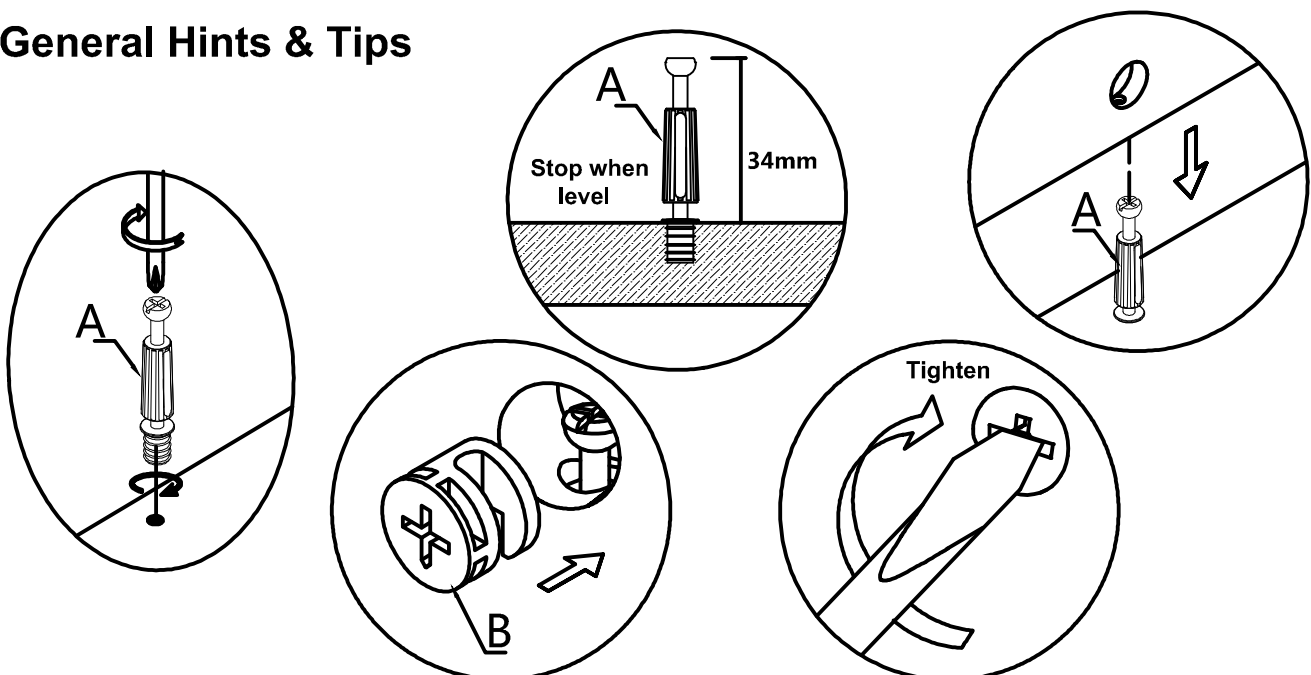
- Check you have all the components and tools listed on page 3.
- Do not stand or put weight on the product, this could cause damage.
- Do not use power drill/drivers for assembly, or the unit may be damaged.
- Remove all settings from the plastic bags and separate them into their groups.
- Assemble the item as close to it's intended position (in the same room) as possible.
- Assemble on a soft level surface to avoid damaging the unit.
- Dispose of all packaging carefully and responsibly.
- Keep children and animals away from the work area, small parts could choke if swallowed.
- Assemble the assembly will be easier with 2 people.
- Make sure you have enough space to layout the parts before assembly.



CARE and MAINTENANCE

- Only clean using a damp cloth and mild detergent, do not use bleach or abrasive cleaners.
- From time to time check that there are no loose screws on this unit.
- This product should not be discarded with household waste. Take to your local authority waste disposal center.

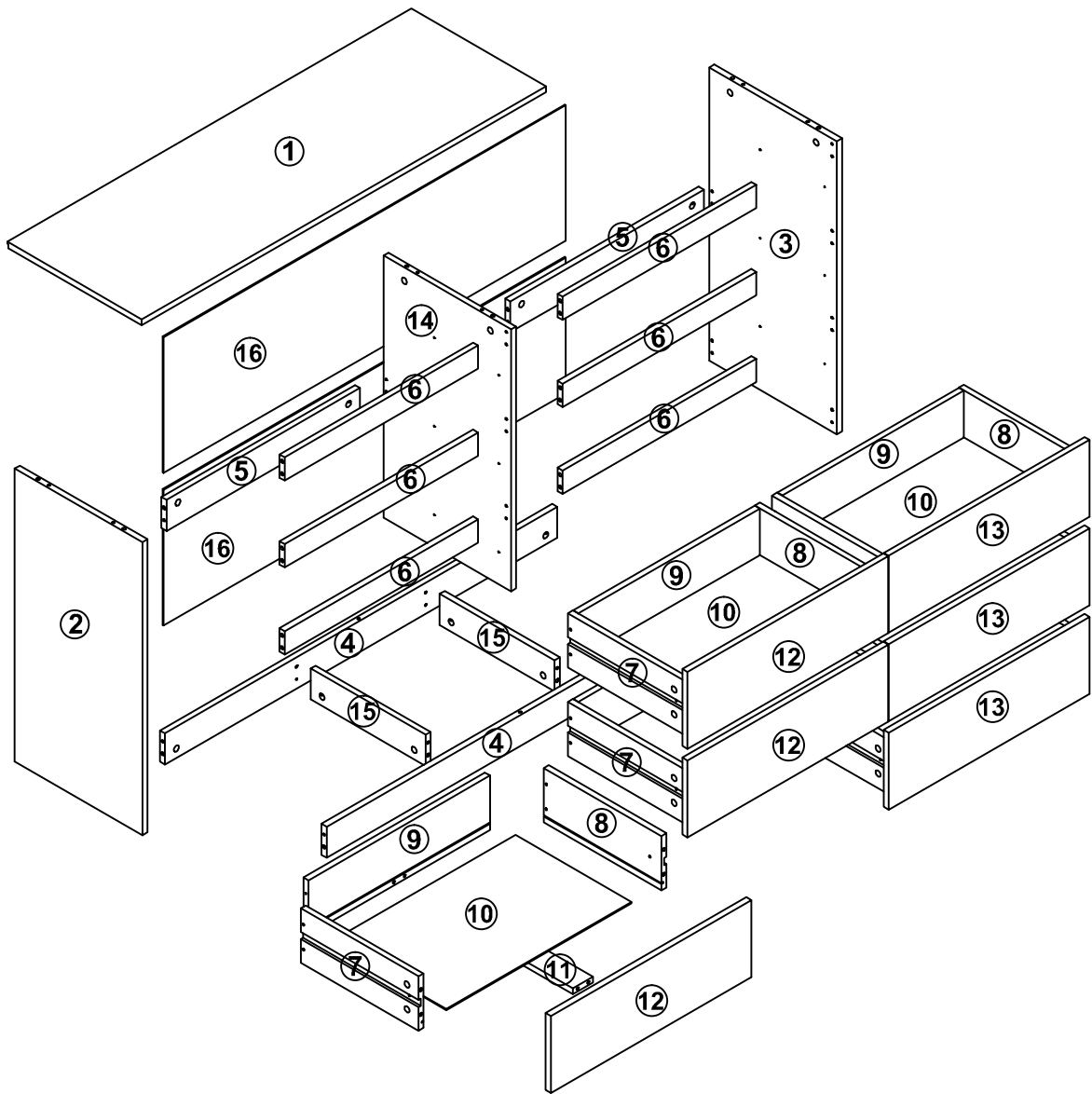
General Hints & Tips

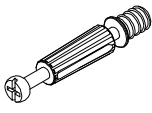
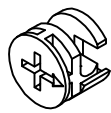
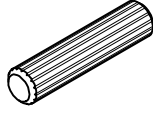

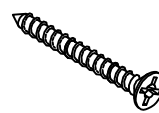

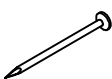

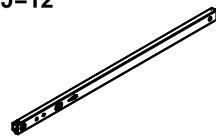


Components and Tools

IMPORTANT - Please Check If You Have All The Components and Tools.

Note: The quantities below are the correct amount to complete the assembly. In some cases more pieces may be supplied than are required.



A=66  Peg M6*34mm	B=66  Lock M15*12mm	C=44  Dowel M8*30mm	D=24  Screw M3.5*14mm	E=24  Screw M4*38	F=8  Plastic Feet
G=18  Pin	H=12  Screw M4*12mm	J=12  Drawer Runner			

1OF2 ①, ④ X2, ⑤ X2, ⑥ X6, ⑩ X6, ⑫ X3, ⑬ X3, ⑭, ⑮ X2, ⑯ X2,

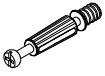
2OF2 ②, ③, ⑦ X6, ⑧ X6, ⑨ X6, ⑪ X6, FITTING KIT

Assembly Instruction

Step 1

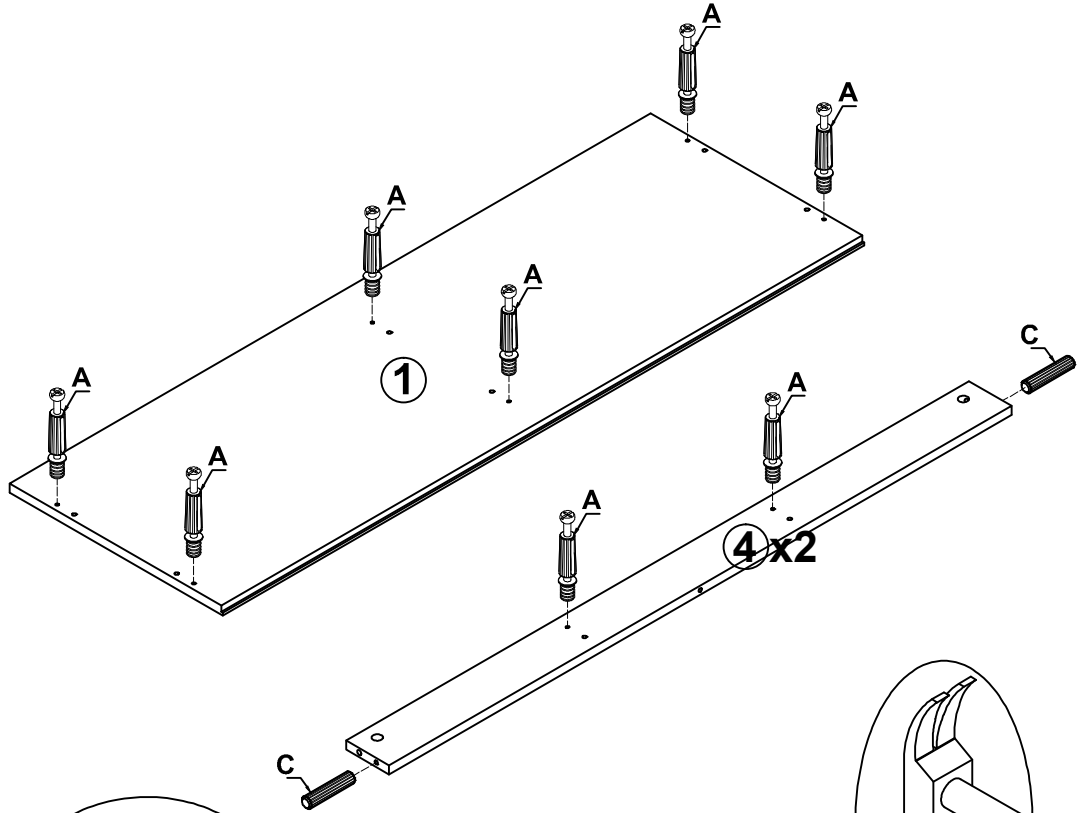
A=10

C=4



Peg

Dowel



Step 2

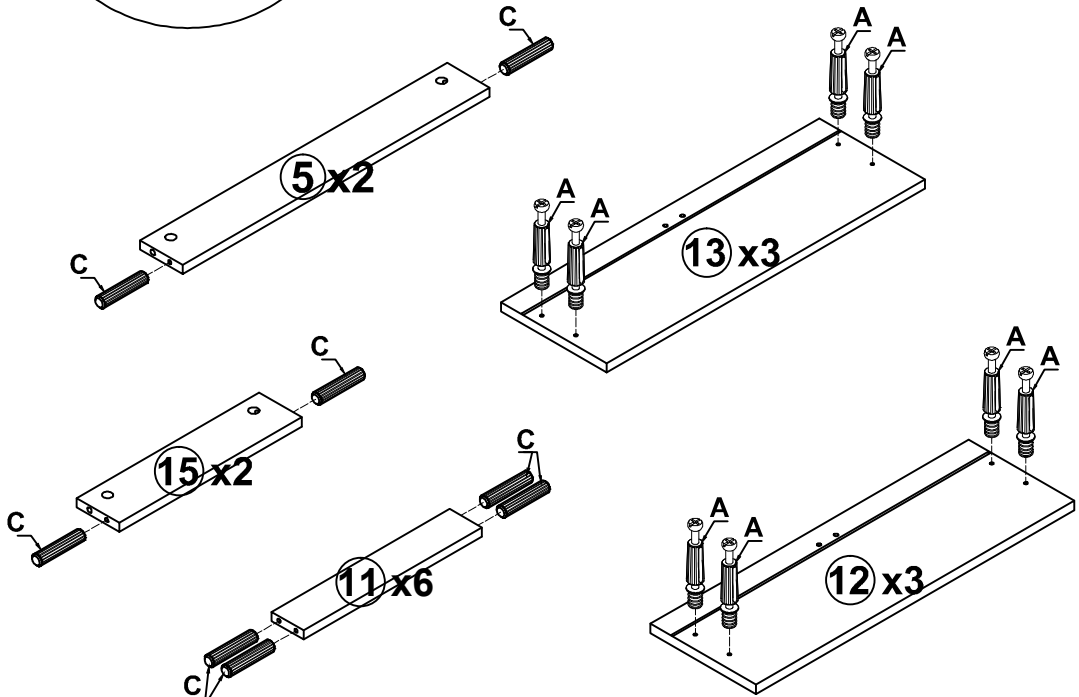
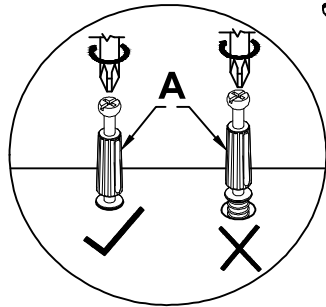
A=24

C=32



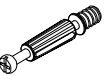



Peg

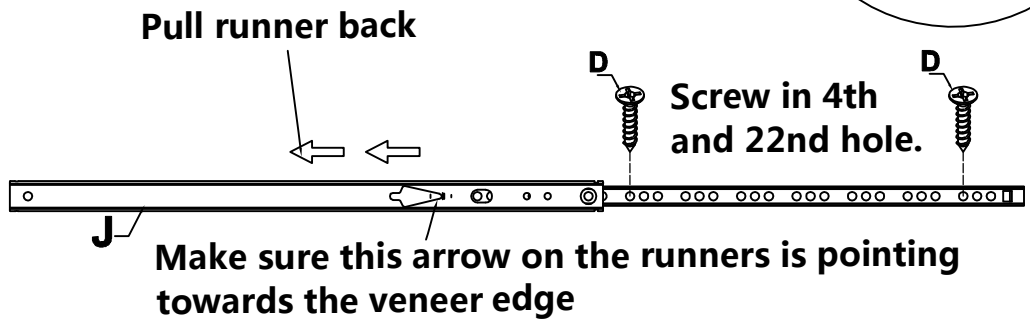
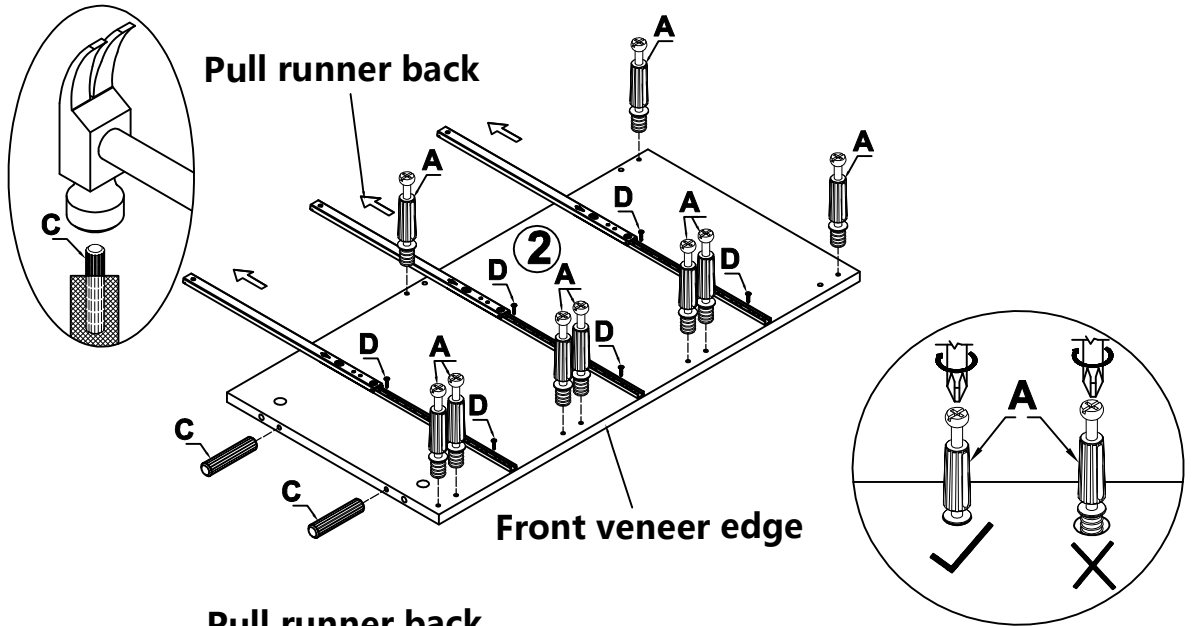
Dowel







Assembly Instruction

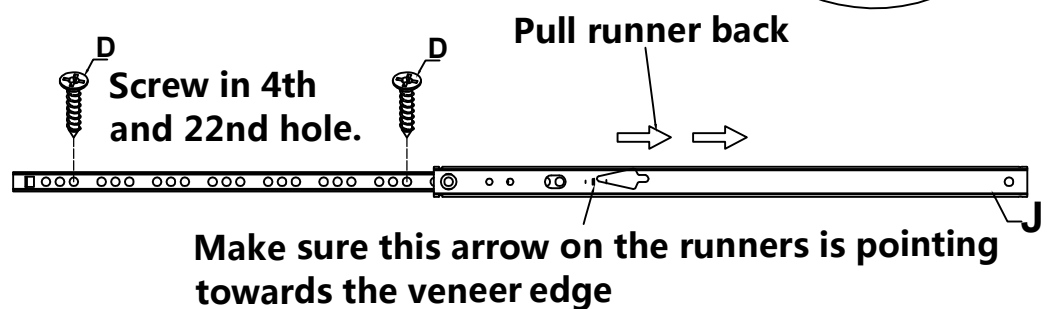
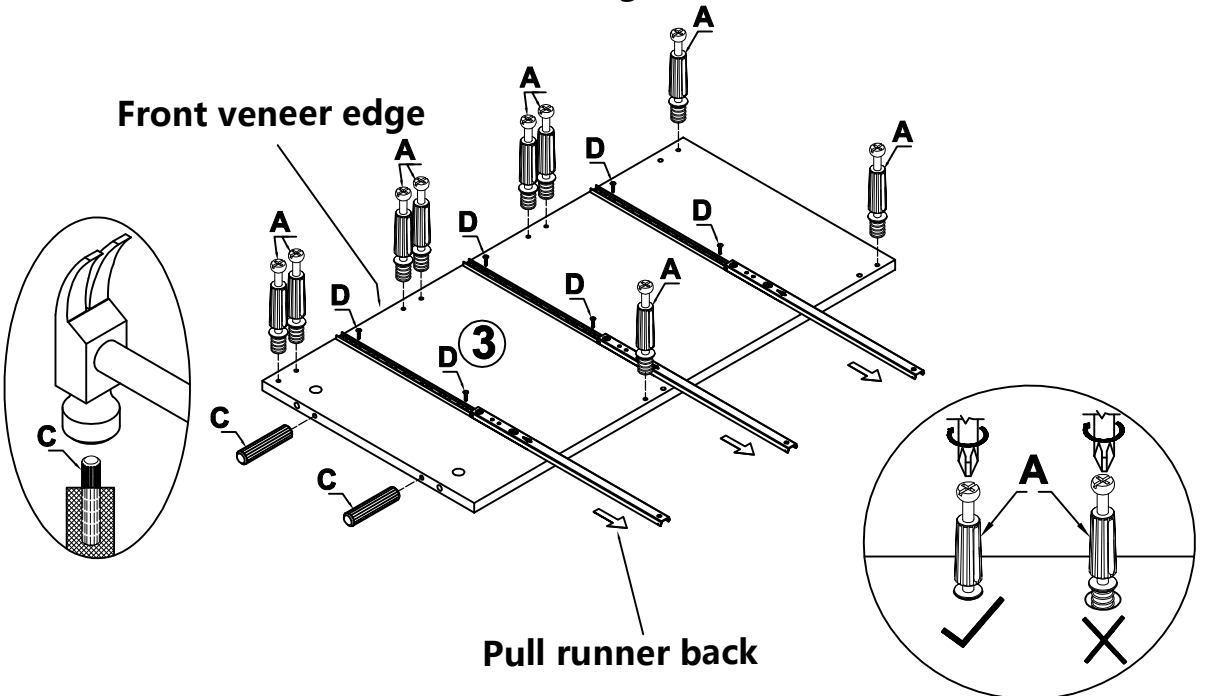
Step 3

A=9	C=2
	
Peg	Dowel
J=3	D=6
	
Drawer Runner	Screw M3.5*14mm



Step 4

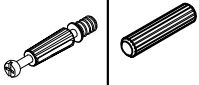
A=9	C=2
	
Peg	Dowel
J=3	D=6
	
Drawer Runner	Screw M3.5*14mm



Assembly Instruction

Step 5

A=7 C=4

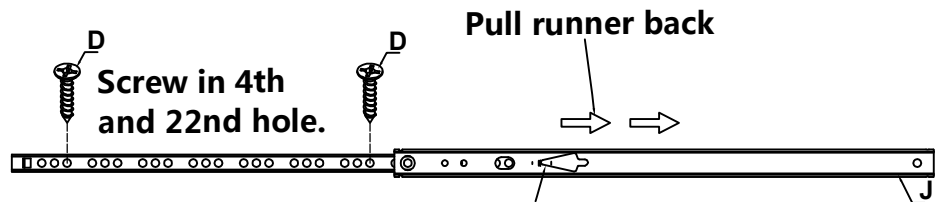
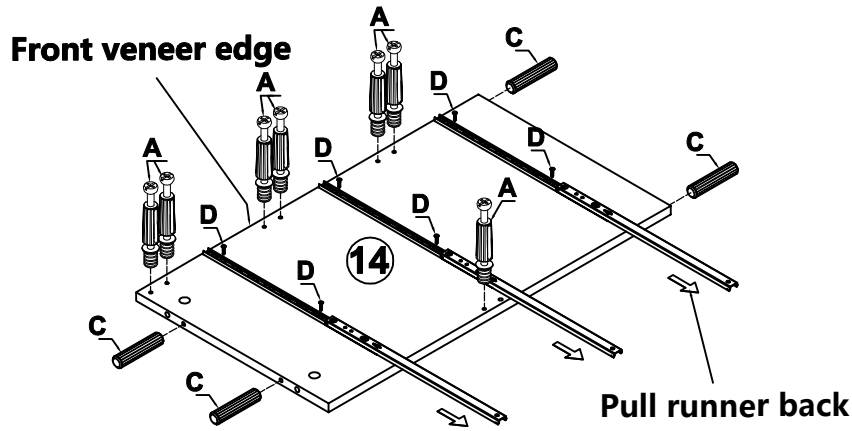


Peg Dowel

J=3 D=6



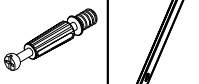
Drawer Runner Screw M3.5*14mm



Make sure this arrow on the runners is pointing towards the veneer edge

Step 6

A=7 J=3

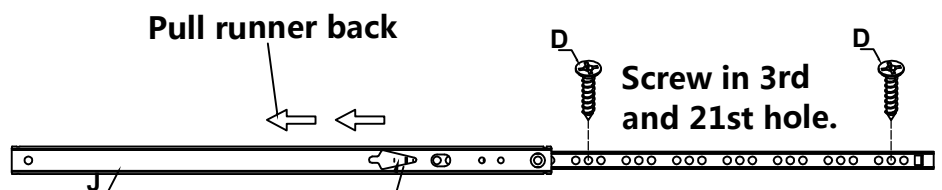
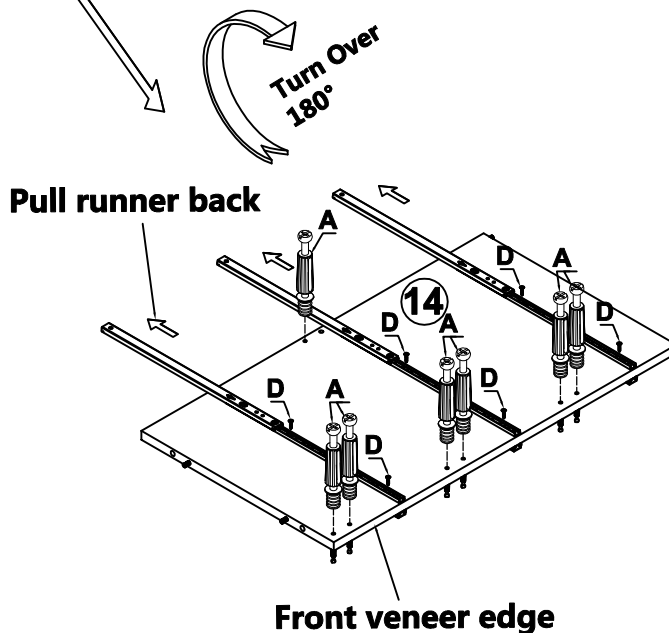


Peg Drawer Runner

D=6



Screw M3.5*14mm



Make sure this arrow on the runners is pointing towards the veneer edge

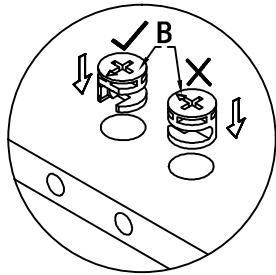
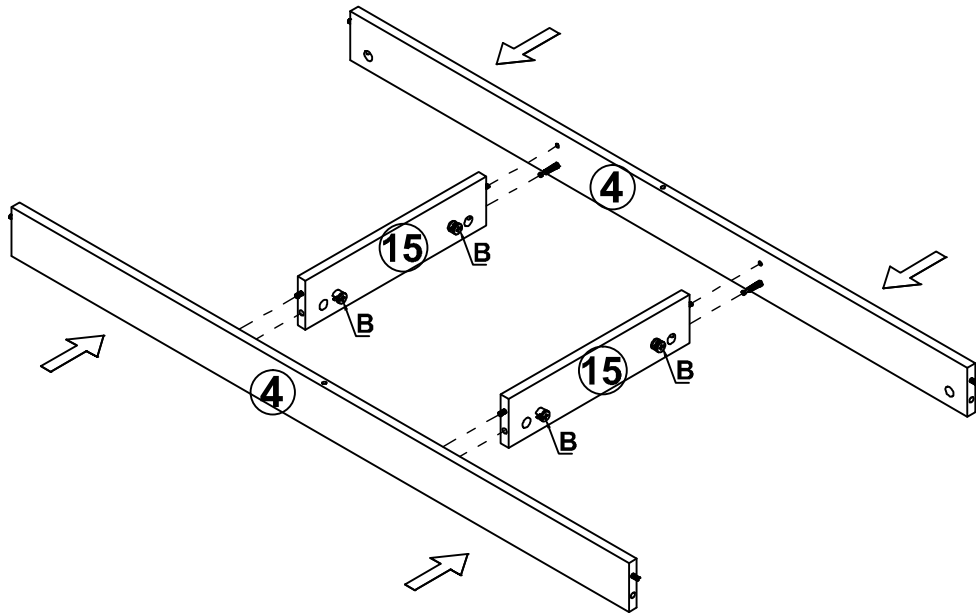
Assembly Instruction

Step 7

B=4



Lock

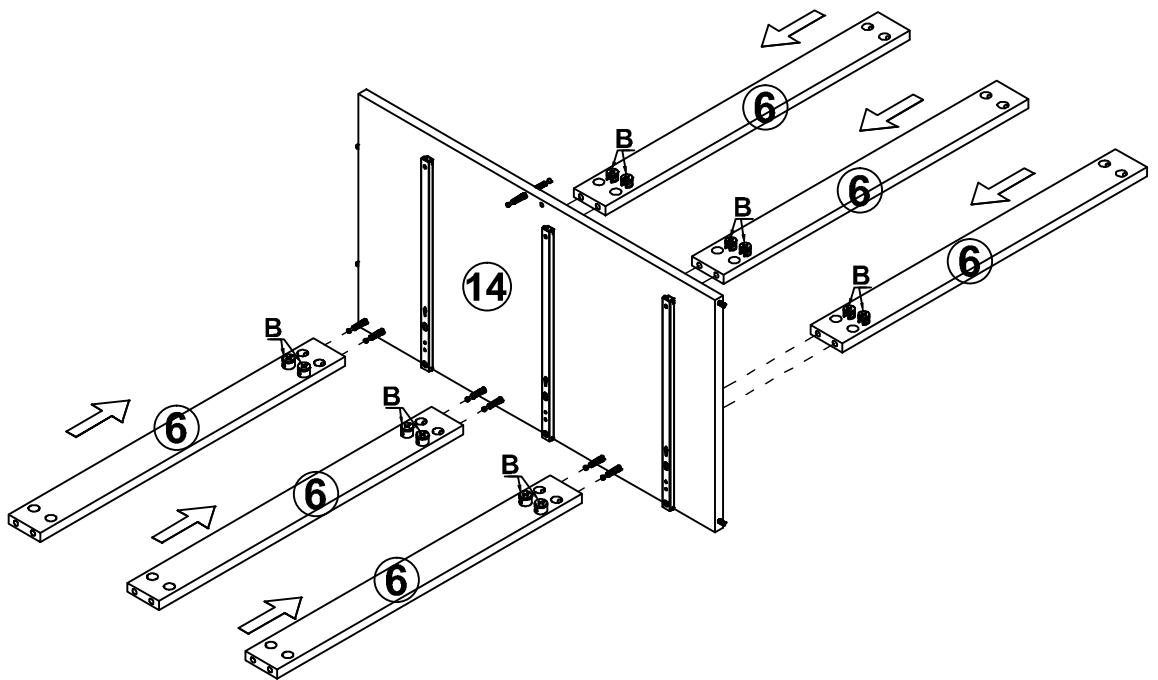


Step 8

B=12

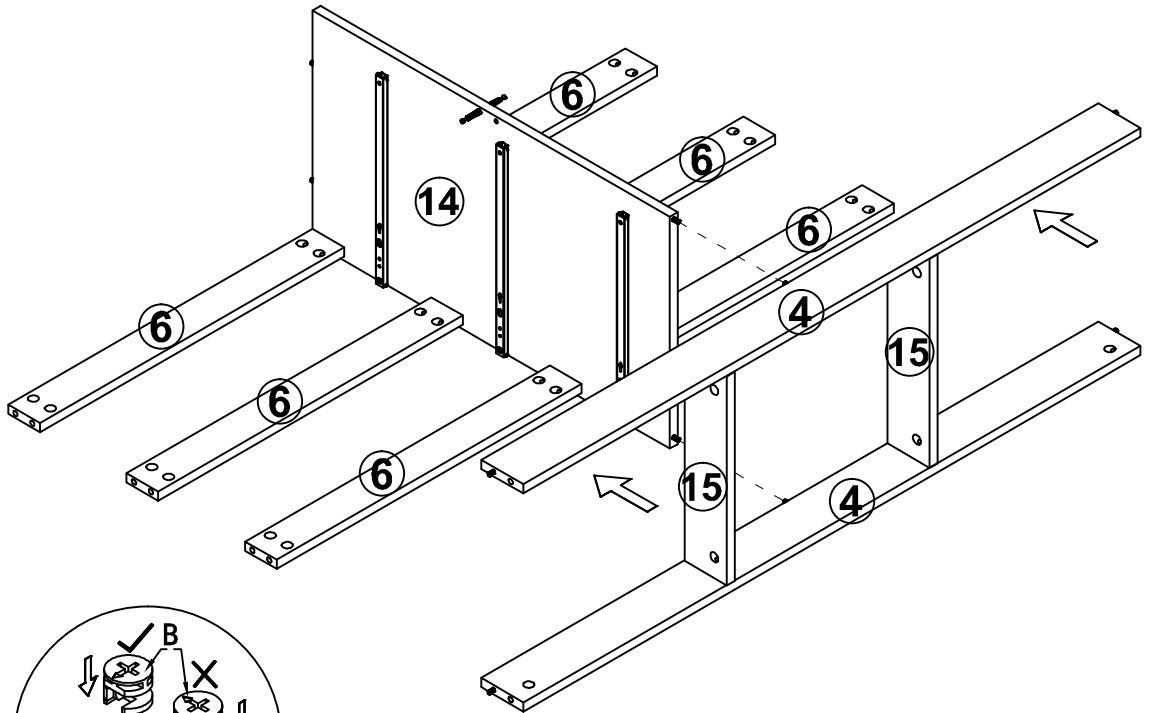


Lock



Assembly Instruction

Step 9

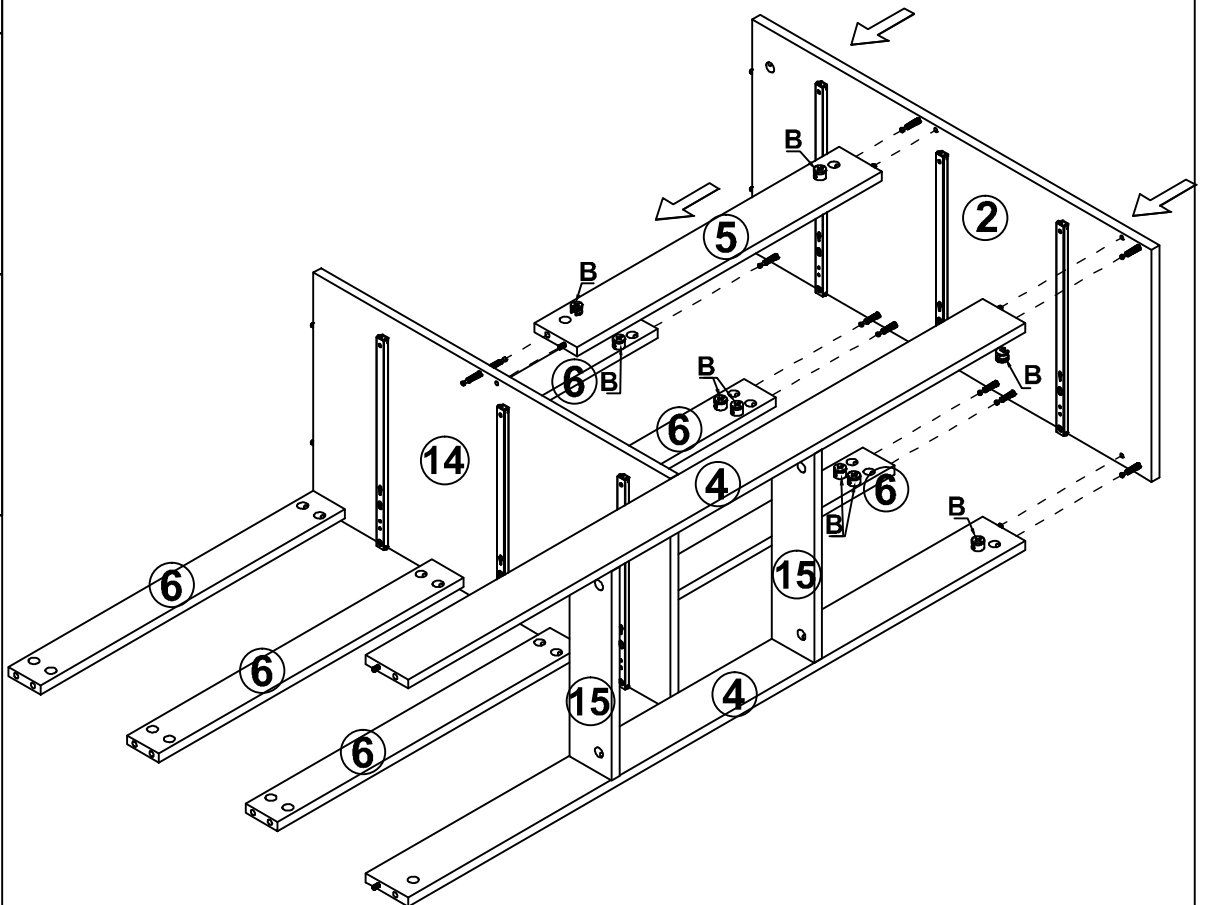


Step 10

B=10



Lock



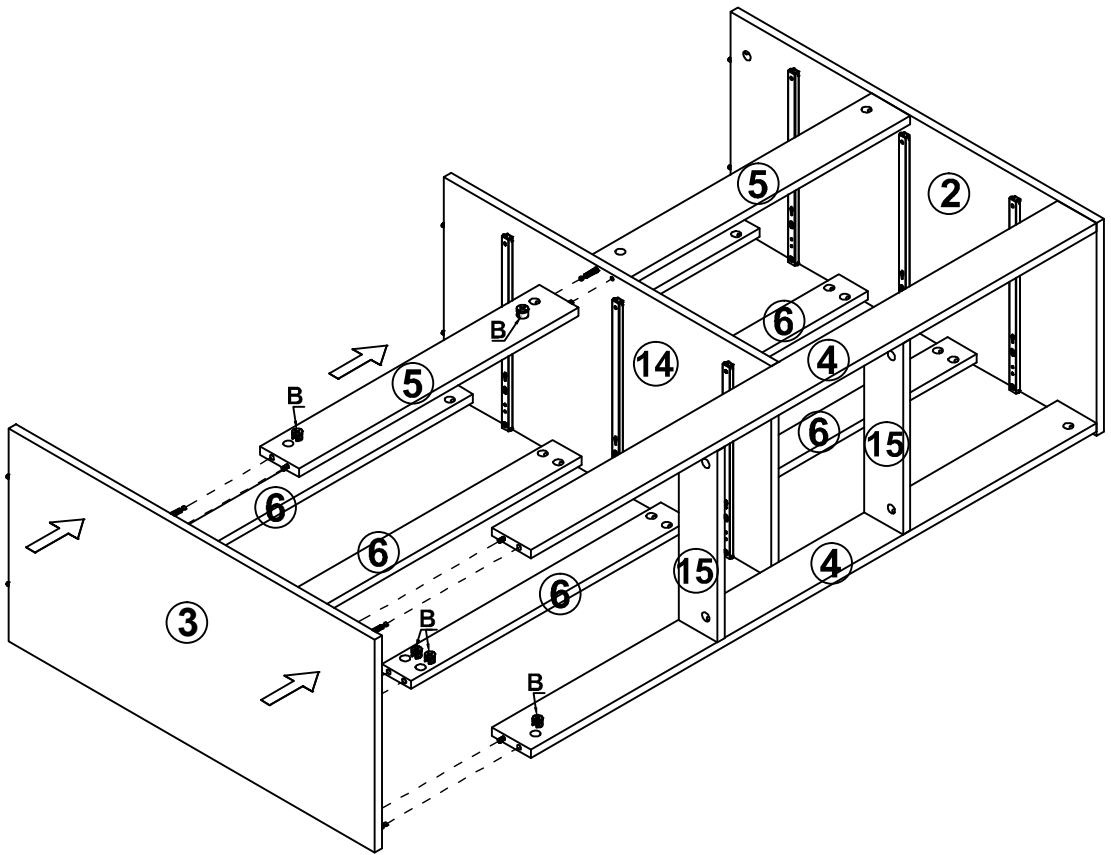
Assembly Instruction

Step 11

B=10



Lock

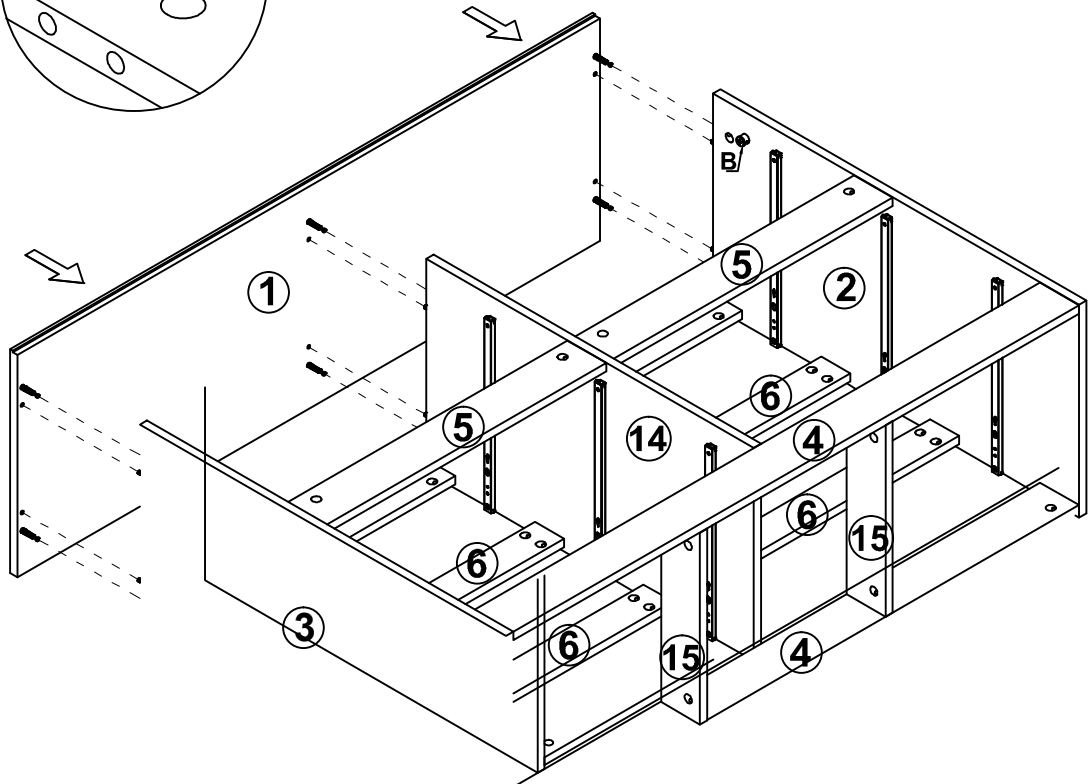
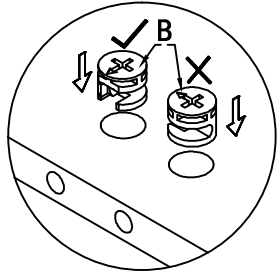


Step 12

B=6

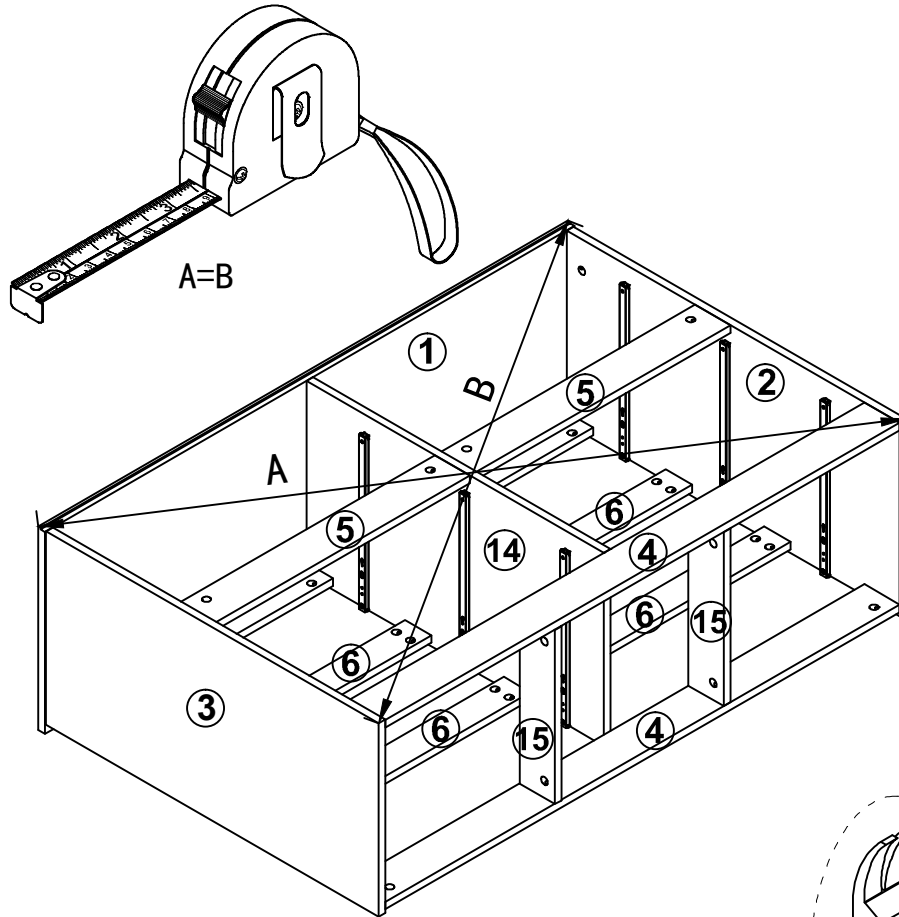


Lock



Assembly Instruction

Step 13



Step 14

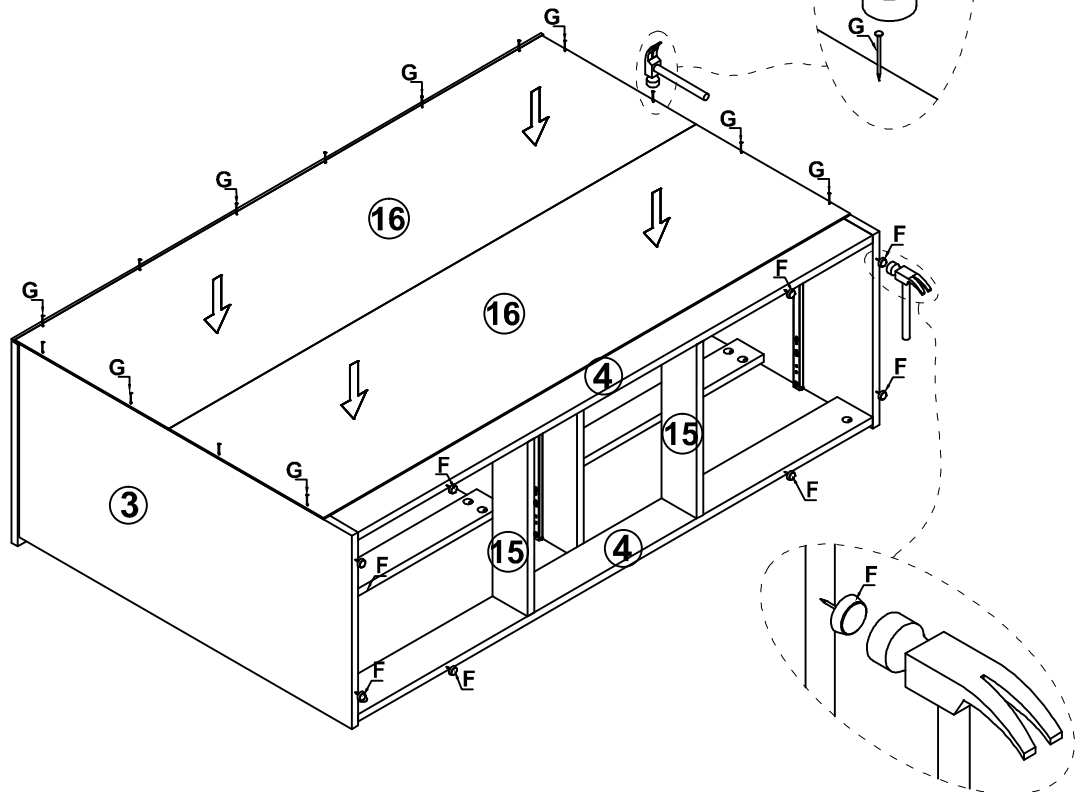
G=14

F=8



Pin

Plastic
Foot



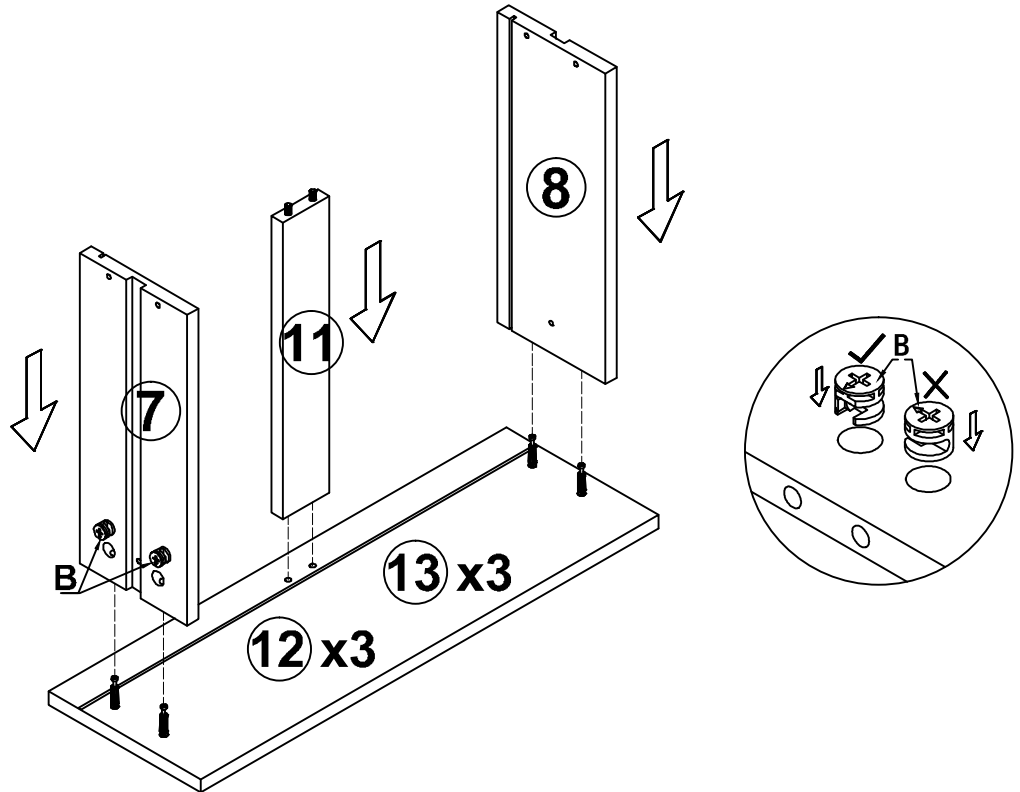
Assembly Instruction

Step 15

B=24



Lock

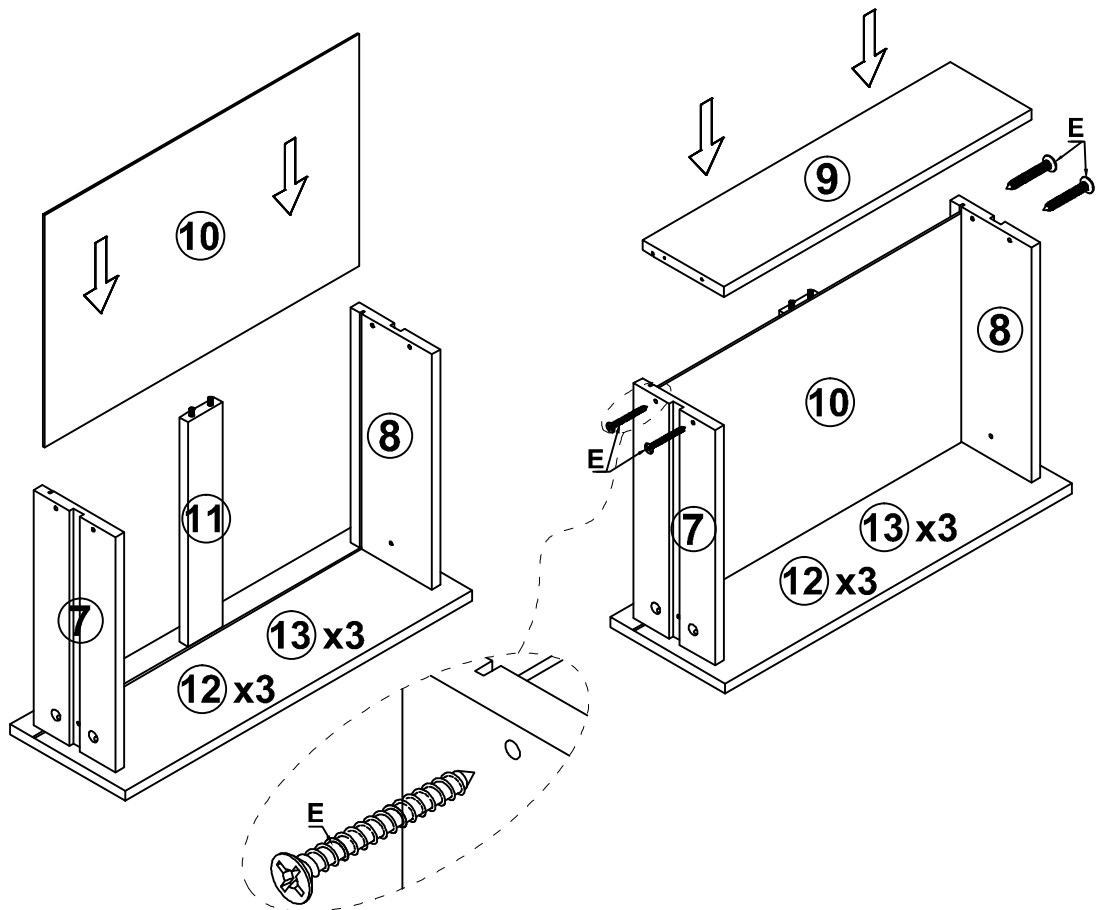


Step 16

E=24

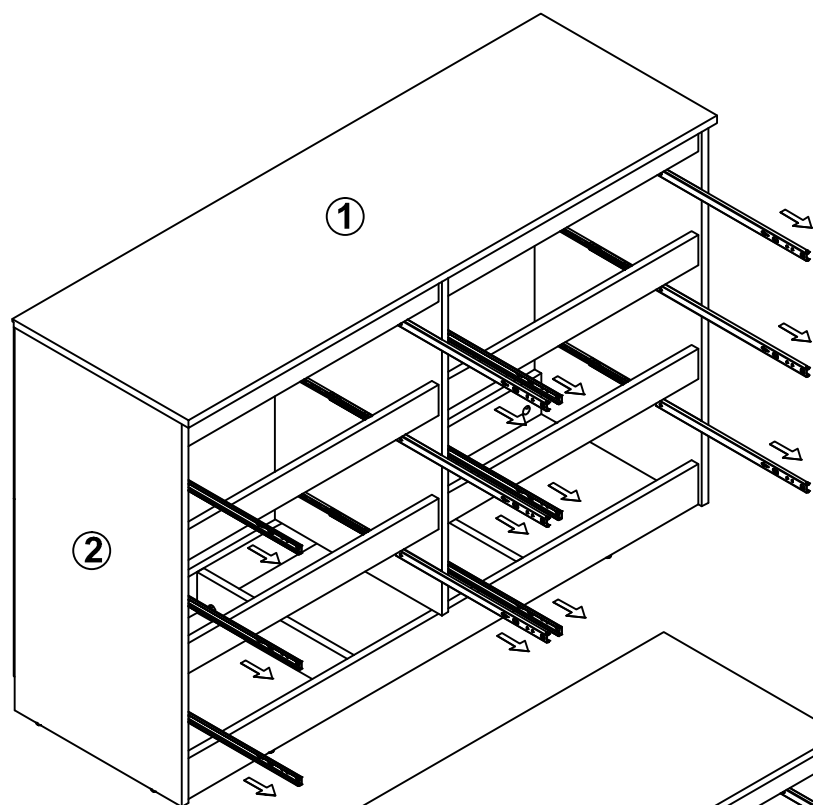


Screw
M4*38

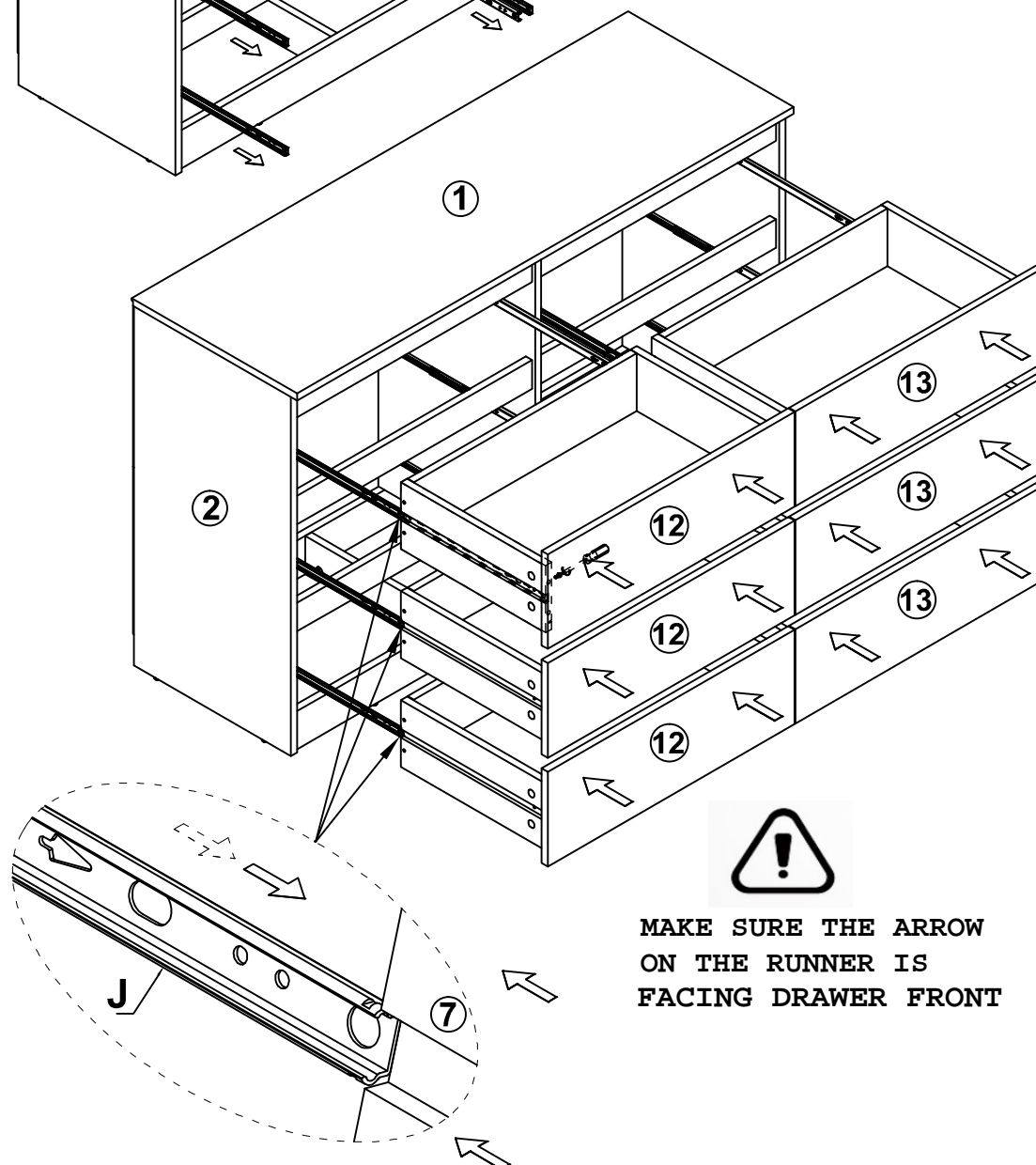


Assembly Instruction

Step 17



Step 18



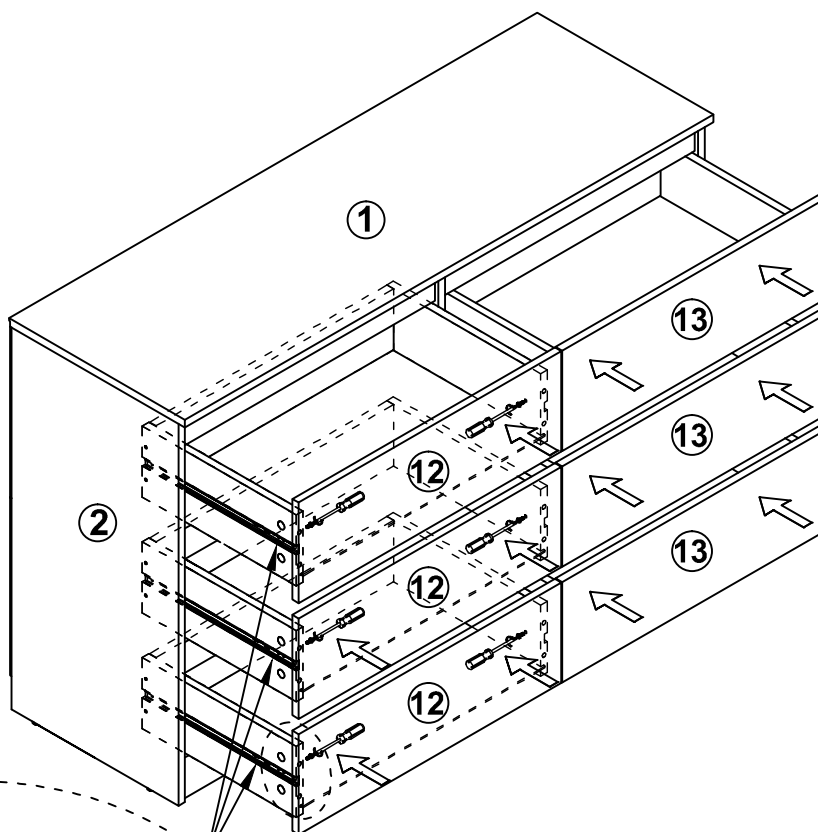
Assembly Instruction

Step 19

H=12



Screw
M4*12mm



Step 20

