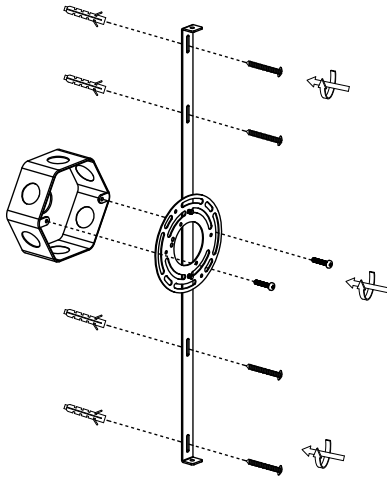


Wall Sconce installation

STEP 1

Use the mounting screws to attach the mounting unit to the junction box



STEP 2

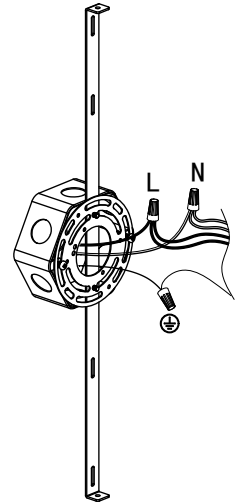
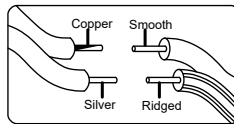
Make the electrical connection from the junction box to the fixture. Connect the ground wire to the mounting unit using the preinstalled green ground screw. Then, connect the positive, negative and ground wires with the supplied wire nuts. Secure with electrical tape

Connect Clear, Brown, Gold or Black Parallel Wire without tracer (round & smooth) or Black Fixture Wire to:

Connect Clear, Brown, Gold or Black *Parallel Wire with tracer (square & ridged) or White Fixture Wire to:

Black or Red Supply Wire or Insulated Wire (other than green) with copper conductor.

White Supply Wire or Insulated Wire (other than green) with silver conductor



Step 3

Place the canopy on the mounting unit and then Screw the clamp up and down

