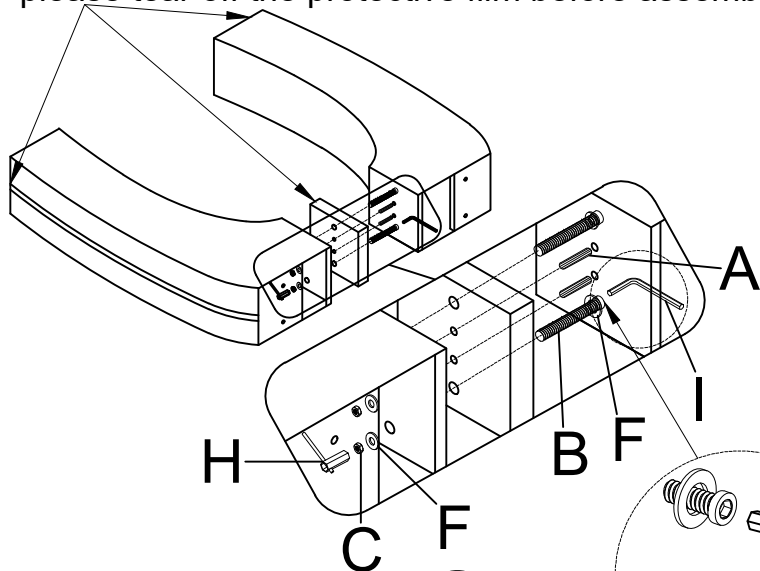
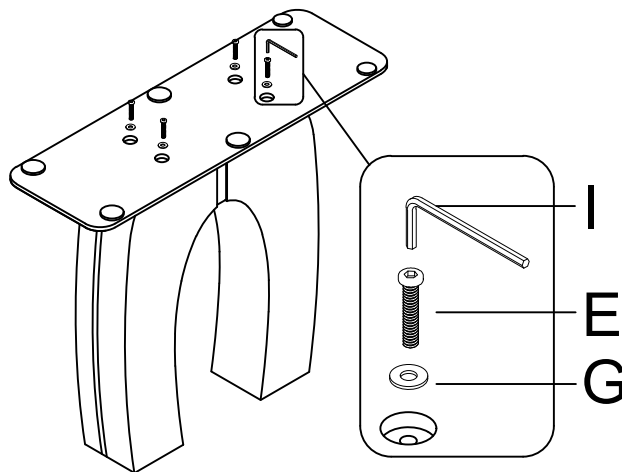


ASSEMBLY INSTRUCTION

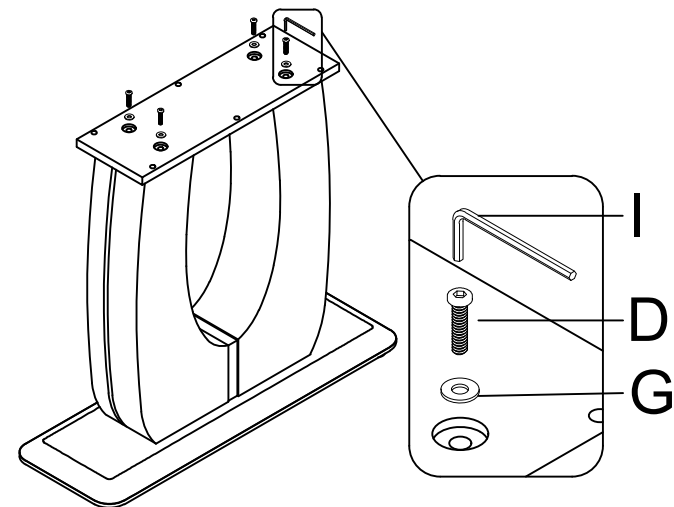
STEP1
please tear off the protective film before assemble



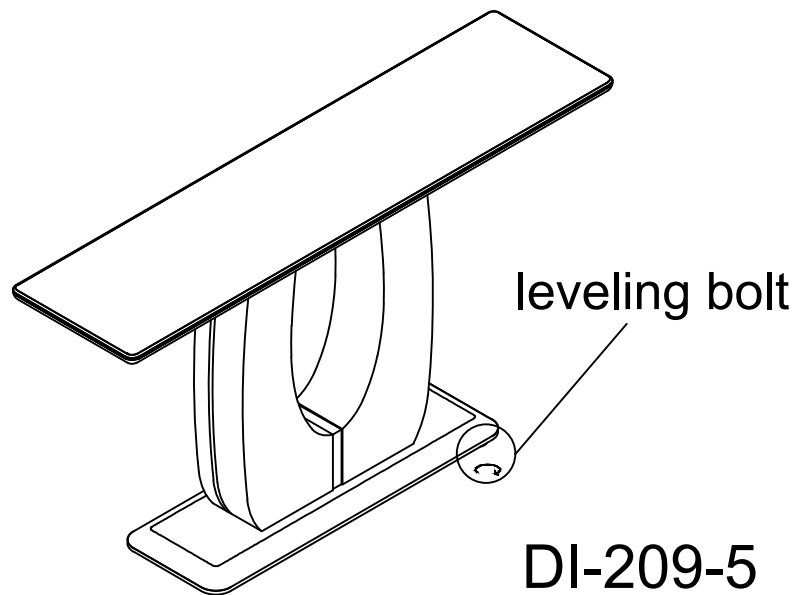
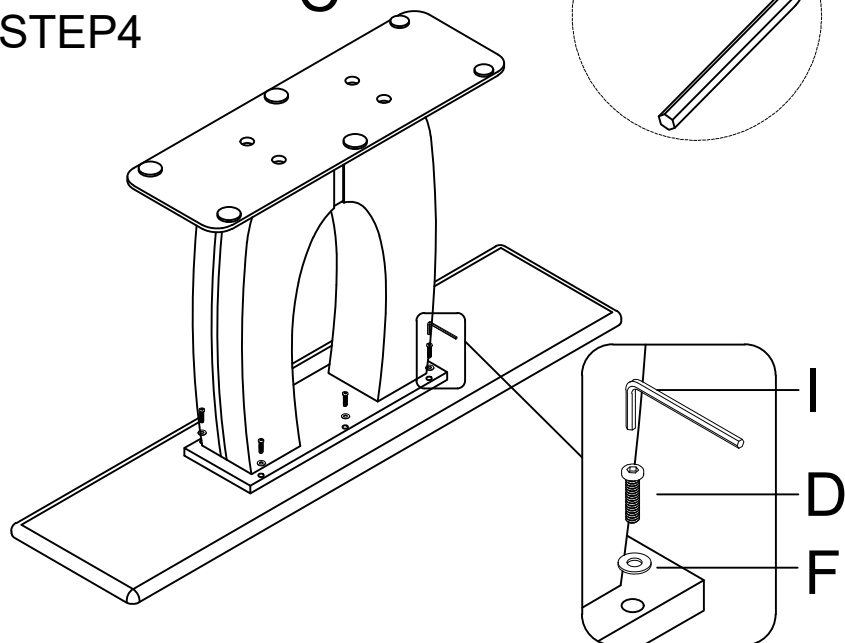
STEP2








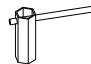



STEP3



STEP4



A	 ø8*50mm	2pcs
B	 M8*85mm	2pcs
C	 M8	2pcs
D	 M8*35mm	10pcs
E	 M8*45mm	4pcs
F	 ø16*1.5mm	10pcs
G	 ø22*1.5mm	8pcs
H		1pc
I	 M5	1pc