



Undertone®
Undermount bar sink
K-3182

Features

- 21" (533 mm) minimum base cabinet width.
- Single bowl.
- 7-5/8" depth.
- Includes installation hardware.

Material

- Premium 18-gauge stainless steel.

Installation

- Undermount.

Recommended Products/Accessories

- K-3132 Sink rack for Undertone® and Verse™ kitchen sinks
- K-8801 Sink drain and strainer with tailpiece
- K-8799 Sink drain and strainer basket
- K-23726 Drain treatment
- K-23729 Stainless steel cleaner

Optional Products/Accessories

- K-8813 Stainless steel sink drain and strainer with tailpiece
- K-8814 Stainless steel sink drain and strainer
- K-11352 Disposal Flange with Stopper

Included Components

Product consists of:

- 91915 Hardware Kit



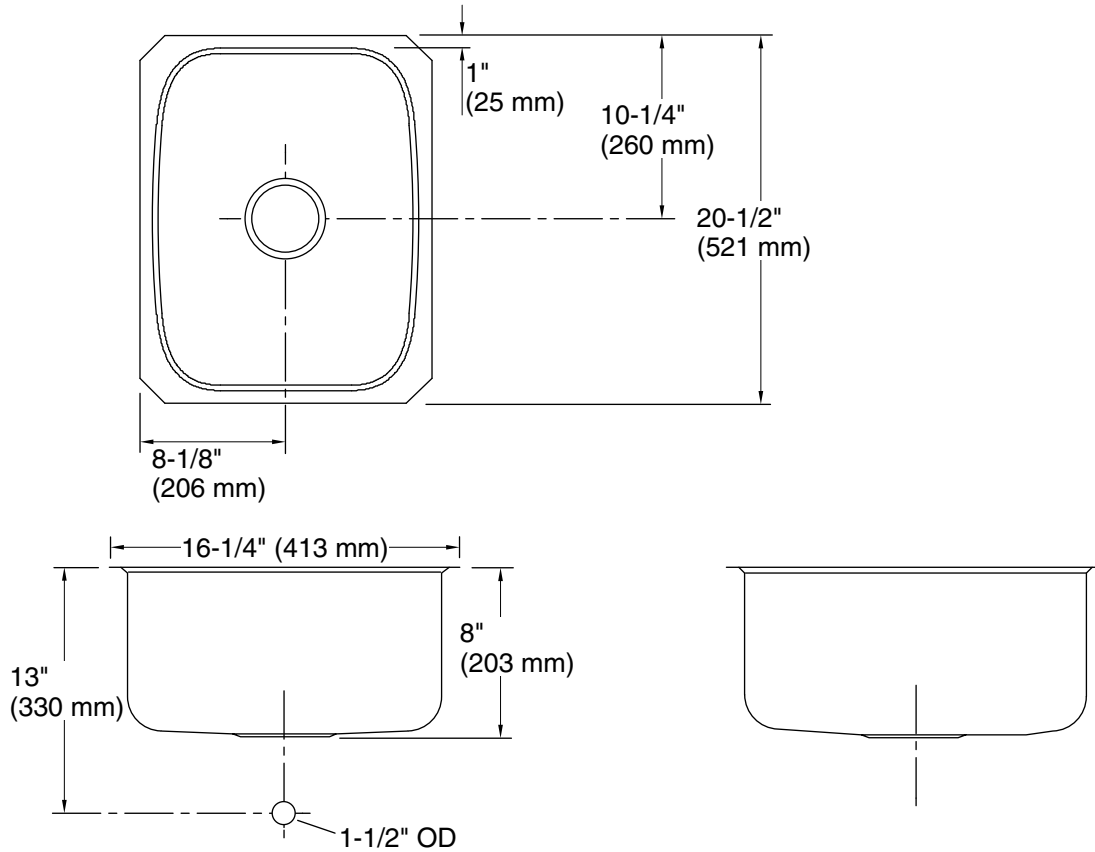
ADA

Codes/Standards

- ASME A112.19.3/CSA B45.4
- ADA
- ICC/ANSI A117.1

**Lifetime Limited Warranty for
KOHLER® Stainless Steel Sinks**

See website for detailed warranty information.



Technical Information

All product dimensions are nominal.

- Bowl configuration: Single
- Installation: Under-mount
- Min. base cabinet width: 21" (533 mm)
- Bowl area (Only): Length: 14-1/4" (362 mm)
Width: 18-1/2" (470 mm)
Bowl depth: 7-5/8" (194 mm)
- Drain hole: 3-5/8" (92 mm)
- Template: 1315836-7, required, included

Notes

- Install this product according to the installation instructions.
- ADA compliant when installed to the specific requirements of these regulations.
- ADA permits a parallel approach to wet bars.