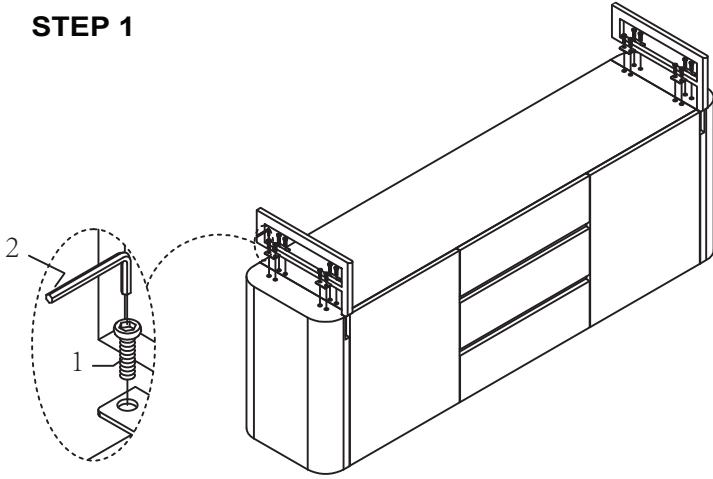


ASSEMBLY INSTRUCTIONS

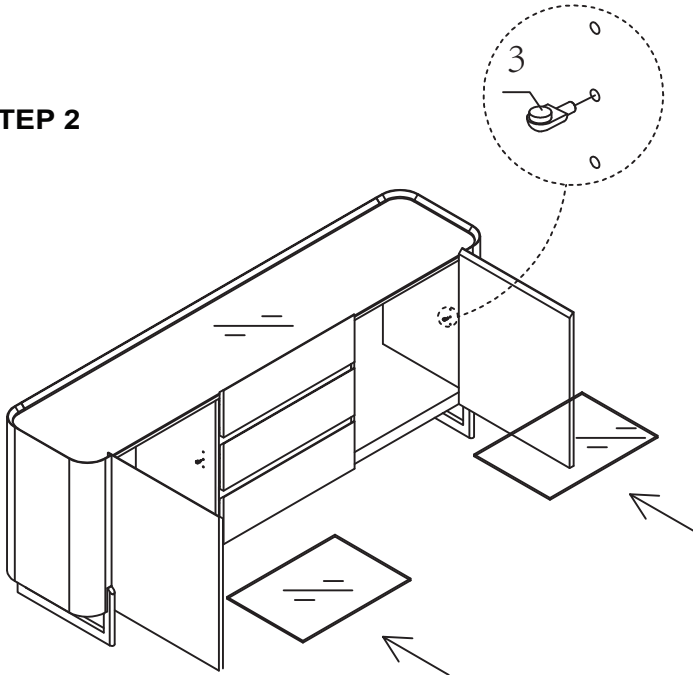
THANK YOU FOR PURCHASING THIS QUALITY PRODUCT.

BE SURE TO CHECK ALL PACKING MATERIAL CAREFULLY FOR SMALL PARTS THAT MAY HAVE COME LOOSE INSIDE THE CARTON DURING TRANSIT.

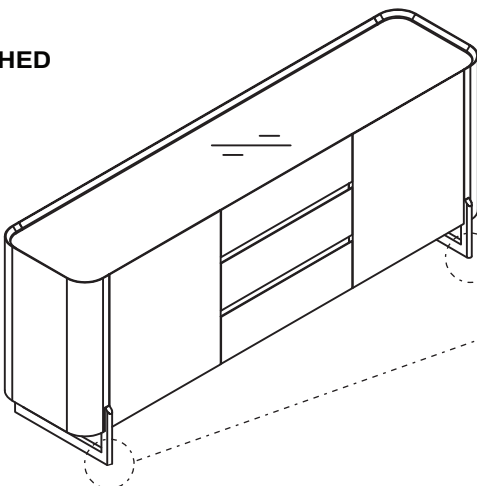
STEP 1



STEP 2



FINISHED



ADJUST THE ADJUSTABLE GLIDES IF NEEDED

PART LIST

NO	DESC	SIZE (MM)	SKETCH	QTY
A	BUFFET BODY	1995*895*55.5		1 PC
B	GLASS SHELVES	434*375*8		2PCS
C	LEGS	466*80*240		2PCS

HARDWARE LIST

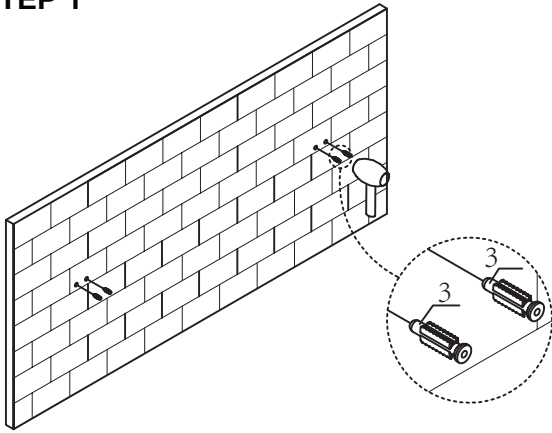
NO	DESC	SIZE (MM)	SKETCH	QTY
1	SCREW	M8x20		16PCS
2	SPANNER	5mm		1PC
3	SHELF PINS			8PCS

ASSEMBLY INSTRUCTIONS

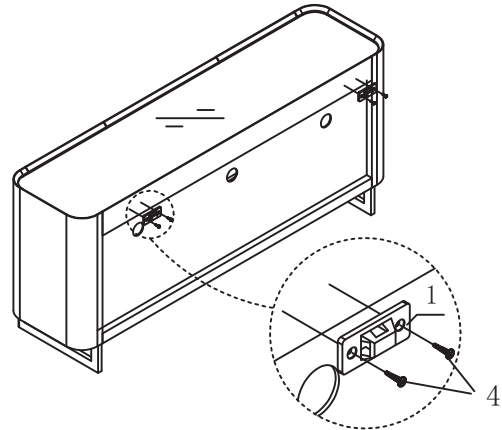
THANK YOU FOR PURCHASING THIS QUALITY PRODUCT.

BE SURE TO CHECK ALL PACKING MATERIAL CAREFULLY FOR SMALL PARTS THAT MAY HAVE COME LOOSE INSIDE THE CARTON DURING TRANSIT.

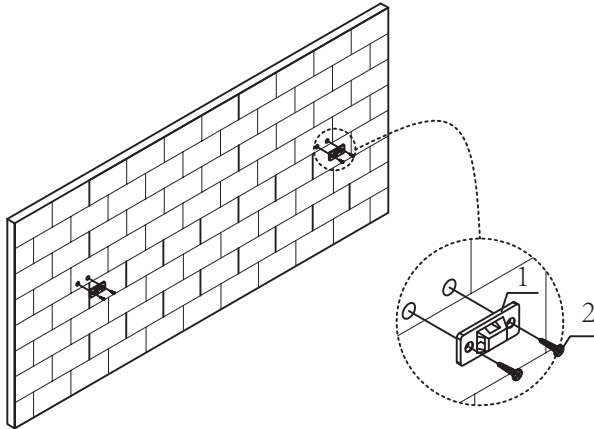
STEP 1



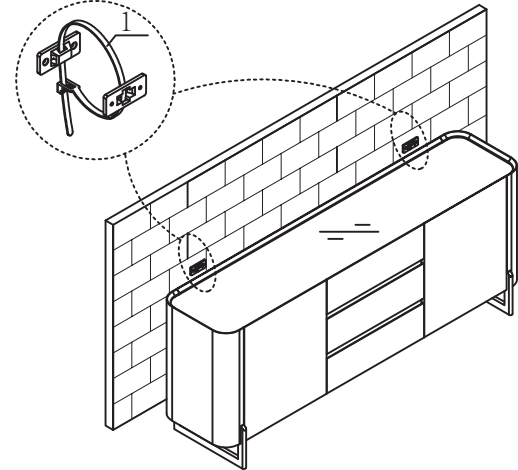
STEP 3



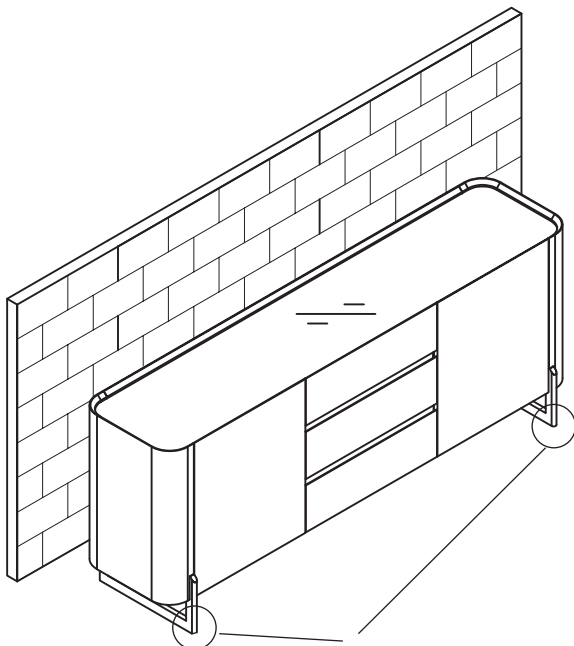
STEP 2



STEP 4



FINISHED



HARDWARE LIST

NO	DESC	SIZE (MM)	SKETCH	QTY
1	ANTI-TIPS			2PCS
2	SCREW	3.5*30		4PCS
3	NUTS			4PCS
4	SCREW	3.5*15		4PCS

Anti-Tip Kit

It is recommended that the Anti-Tip Kit included with this product be installed for added safety and stability. It is essential to use wall anchors appropriate for your wall type (i.e. plaster, drywall, concrete, etc.), along with appropriate screws, for proper mounting. The screws included in this Anti-Tip Kit may not be suited for all wall types. Mounting to wood studs is recommended. Consult a qualified professional or your local hardware store for appropriate mounting hardware suited for your specific wall medium.

MADE IN CHINA

ADJUST THE ADJUSTABLE GLIDES IF NEEDED