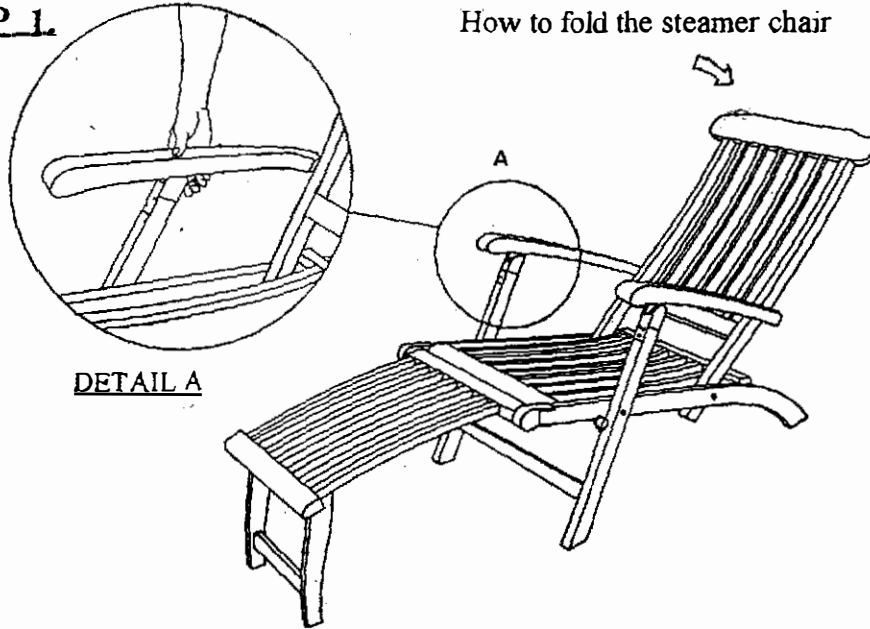


ASSEMBLY INSTRUCTIONS

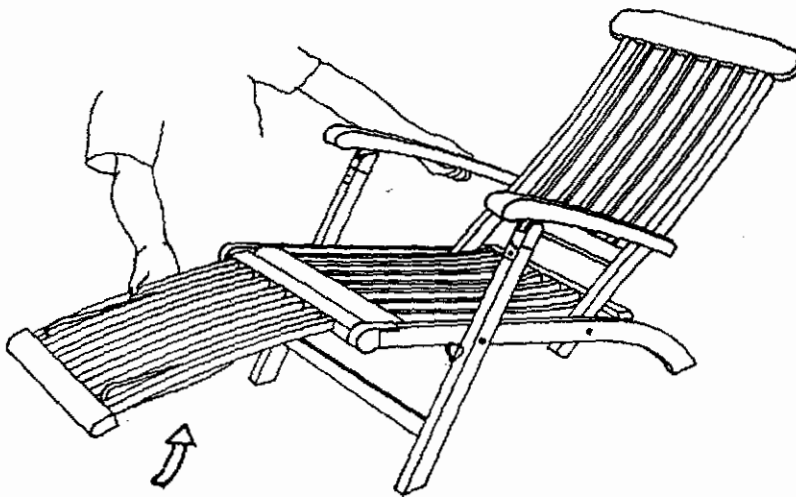
TEAKWOOD STEAMER CHAIR (ATF36)

STEP 1.



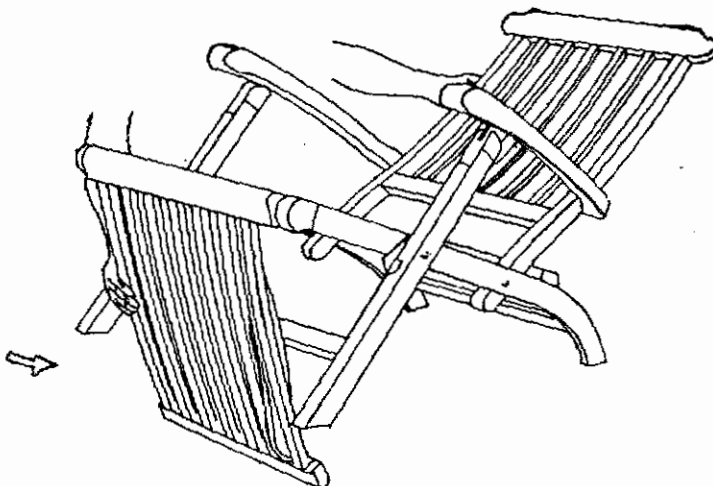
1. Adjust the armrests by pulling the lock pins up and push the backrest to lay backward until it stay in the last position as picture.

STEP 2.



2. Fold the footrest's leg up completely

STEP 3.

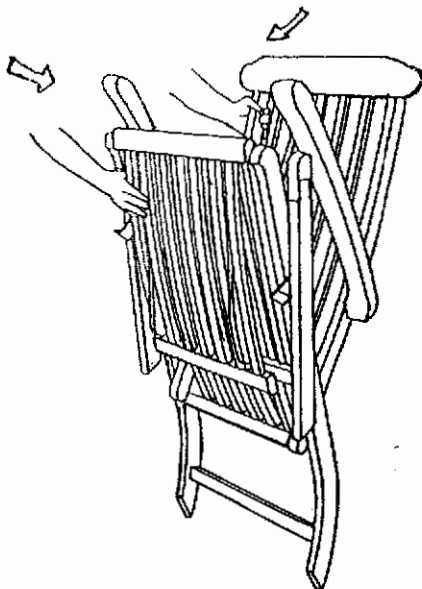


3. Lift up the steamer front leg and fold footrest as picture until it hit the front leg's cross bar

ASSEMBLY INSTRUCTIONS

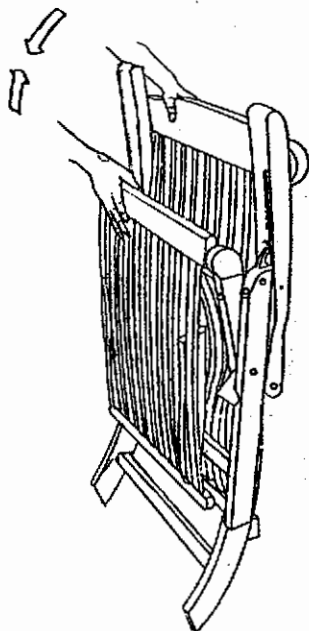
TEAKWOOD STEAMER CHAIR (ATF36)

STEP 4.



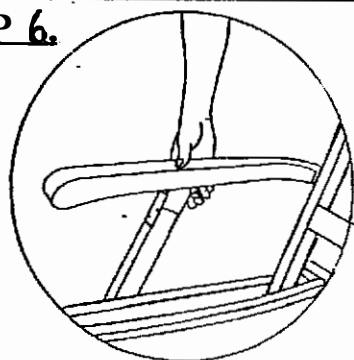
4. Fold the backrest and the footrest together.
5. Don't force! Please make sure that the footrest's leg is folded completely while folding the backrest, footrest and seat together.
6. If you cannot fold, please go back to step 1.

STEP 5.

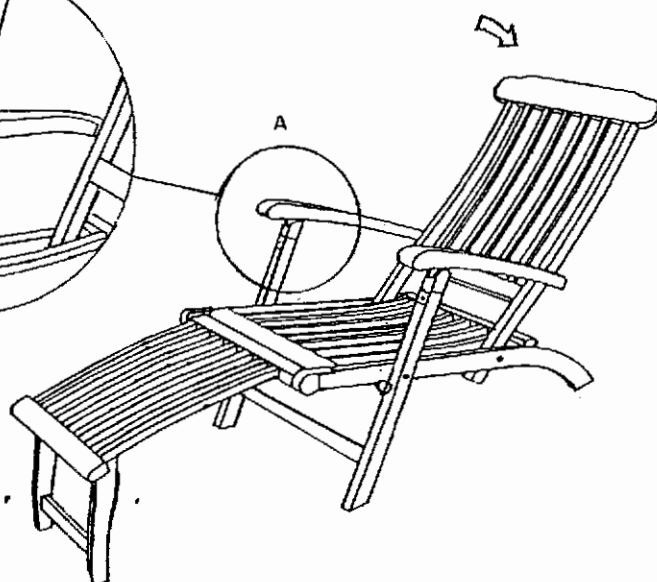


7. Fold the steamer completely.

STEP 6.



DETAIL A



8. Unfold chair gently when you want to use.
9. Adjust the backrest by pulling the lock pins up and hold the pins while adjusting the backrest forward and backward.