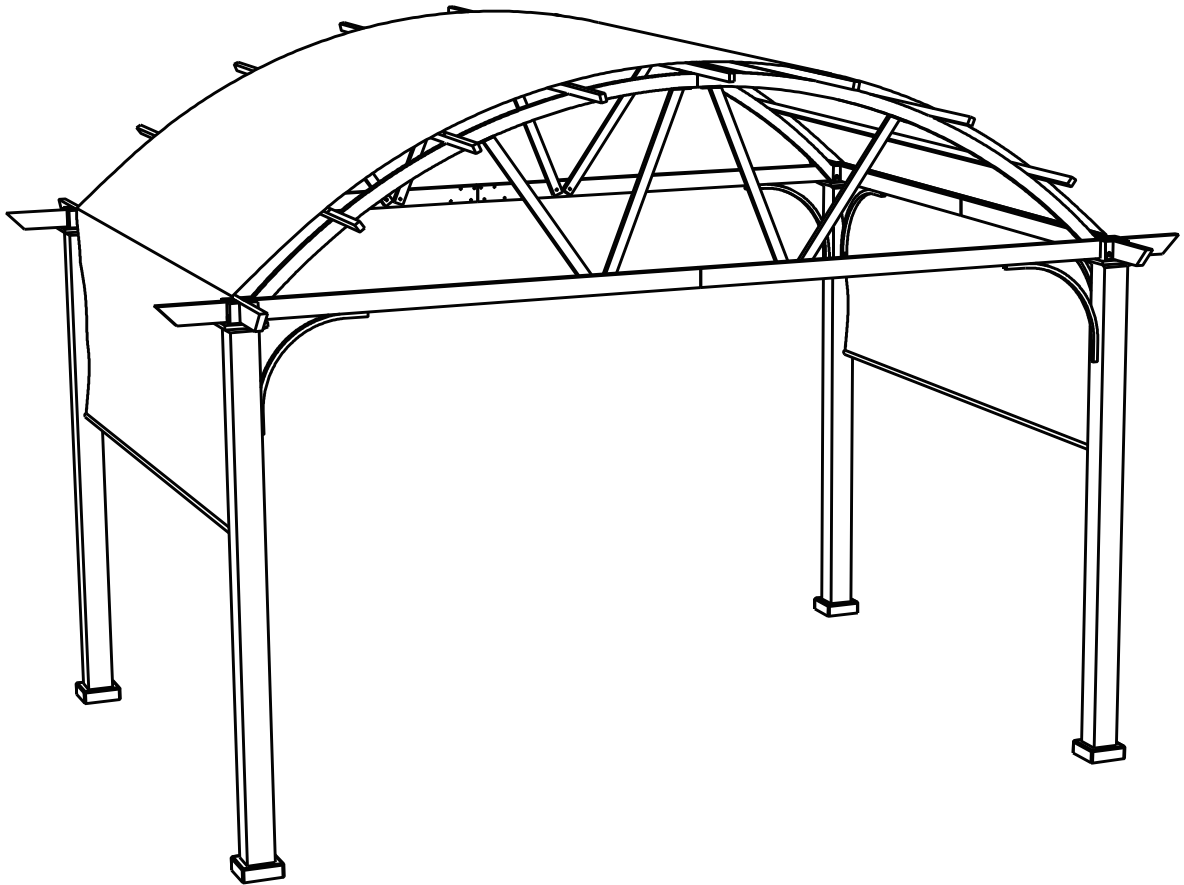


OWNER'S MANUAL

10'X13' Patio Pergola



Contact Us

If you have any questions,
Please contact customer service.

Email: Guluk2023@outlook.com

Scan the QR code to watch the installation video.



SAFETY PRECAUTIONS

WARNING



Please read and understand this entire manual before attempting to assemble or install this product.



Some parts may have sharp edges. Please wear protective gloves when assembling or installing this product.



Before beginning assembly, choose and measure out the location on which you want to place your pergola. Make sure your space is large enough. Then, find a large and convenient assembly area where you can lay out and pre-assemble all parts for your Pergola.



Children and pets should be kept from your assembly area if possible. Supervise children and pets if they are in the assembly area.



This item is heavy. Please handle with care. Two or more people are required for this assembly.

CAUTION

- ★ Check every part against the part list before beginning your assembly. If any part is missing or damaged, do not attempt to assemble the product. Instead, please contact us.
 - ★ You will need these additional tools: a ladder and an adjustable wrench.
 - ★ Once a unit has been pre-assembled as per the instructions, set it aside until later.
 - ★ We care about your experience. Please feel free to contact us if you have any questions or issues. We will try to offer you efficient solutions ASAP.
-

WARRANTY COVERAGE REQUIREMENTS:

- ★ Pictures of the damaged parts.
 - ★ The order number of your product.
 - ★ Please gather all of this information BEFORE you contact us.
 - ★ Do not use this item in a way inconsistent with the manufacturer's instructions, as this could void the product warranty.
-

PRODUCT WARRANTY INSTRUCTION



Free Warranty Period:

The free warranty period starts from the product receipt date and lasts one year.



Coverage during the Free Warranty Period:

1. If any components of the purchased product are damaged due to non-human-induced reasons natural wear and tear excluded , corresponding new parts will be replaced free of charge.

2. If the entire purchased product is damaged due to non-human-induced reasons natural wear and tear excluded and cannot be further used, corresponding parts or a brand-new product will be replaced free of charge.



Coverage after the Free Warranty Period:

After the warranty period expires, replacement components will be provided to customers at cost price for continued service.



Additional Services:

After purchasing the product, customers can consult our staff for any product-related inquiries.



Contact Email :

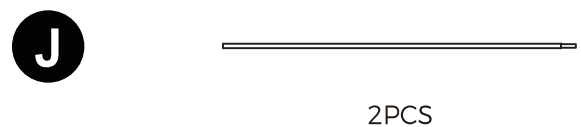
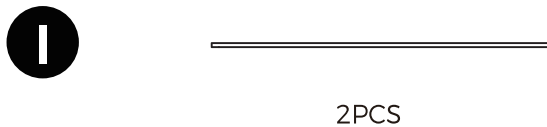
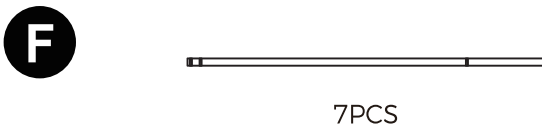
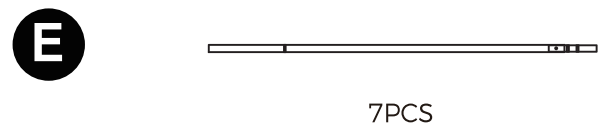
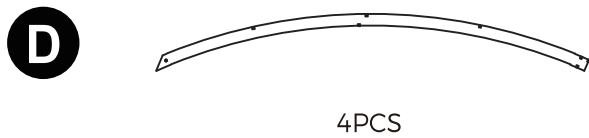
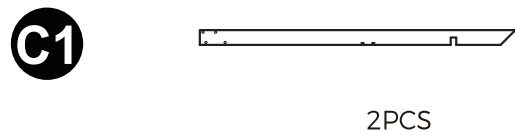
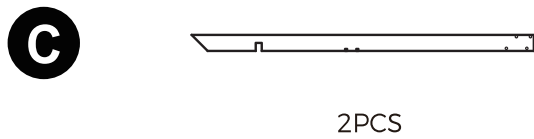
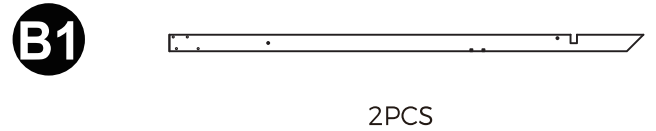
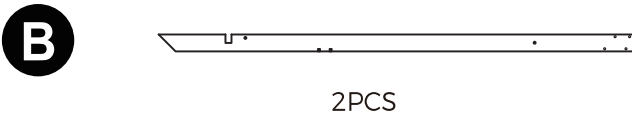
Guluk2023@outlook.com



Contact Phone :

9144101739

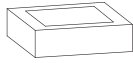
PATIO UMBRELLAS



Email:
Guluk2023@outlook.com

PATIO UMBRELLAS

K



4PCS

L



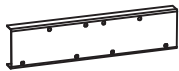
4PCS

M



4PCS

O



4PCS

P



2PCS

R



1PC

N



8PCS

S



8PCS

T



1PC

1PC

Wrench

M6X15MM Bolt

X



68+2PCS

M6X80MM Bolt

X1



4PCS

M6X30MM Bolt

X2



44+2PCS

M6X40MM Bolt

X3



14+1PCS

Nut



14+1PCS

M6X40MM Bolt

X4



22+1PCS

Email:
Guluk2023@outlook.com

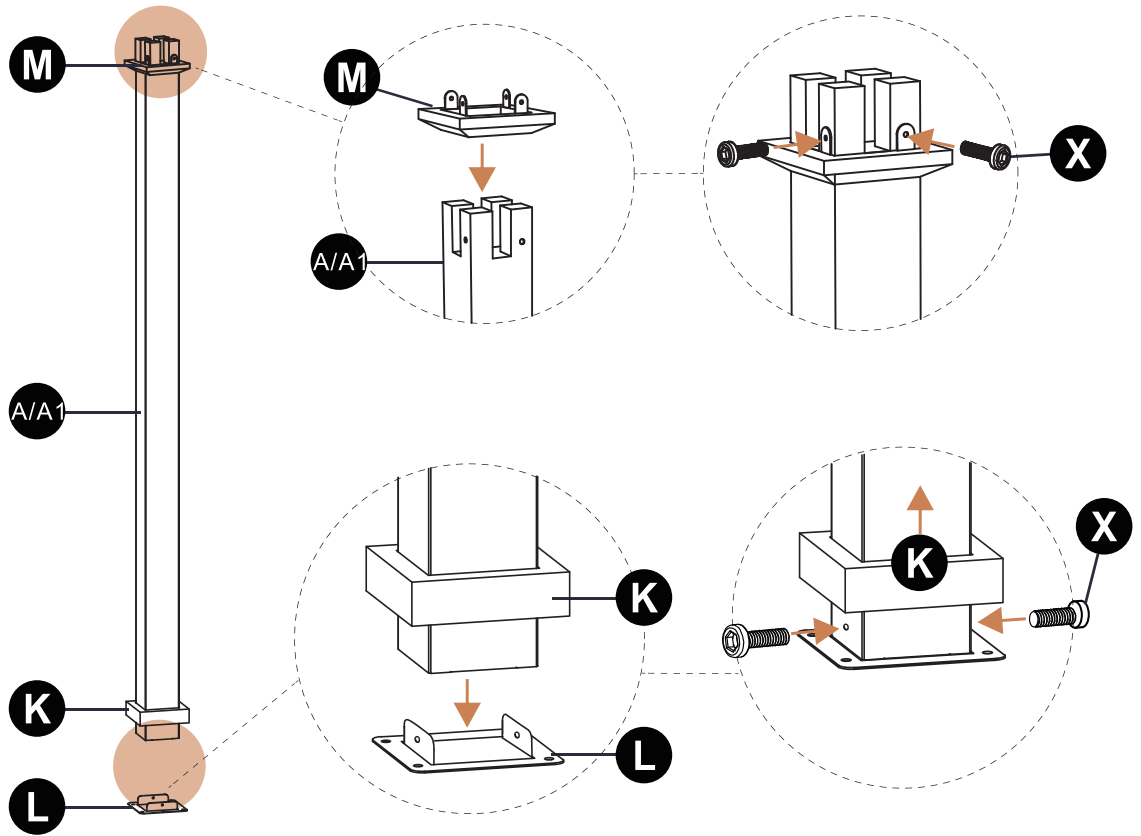
PRODUCT ASSEMBLY

STEP 1

x24



X : 24 PCS

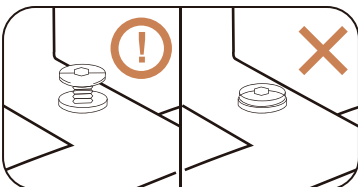
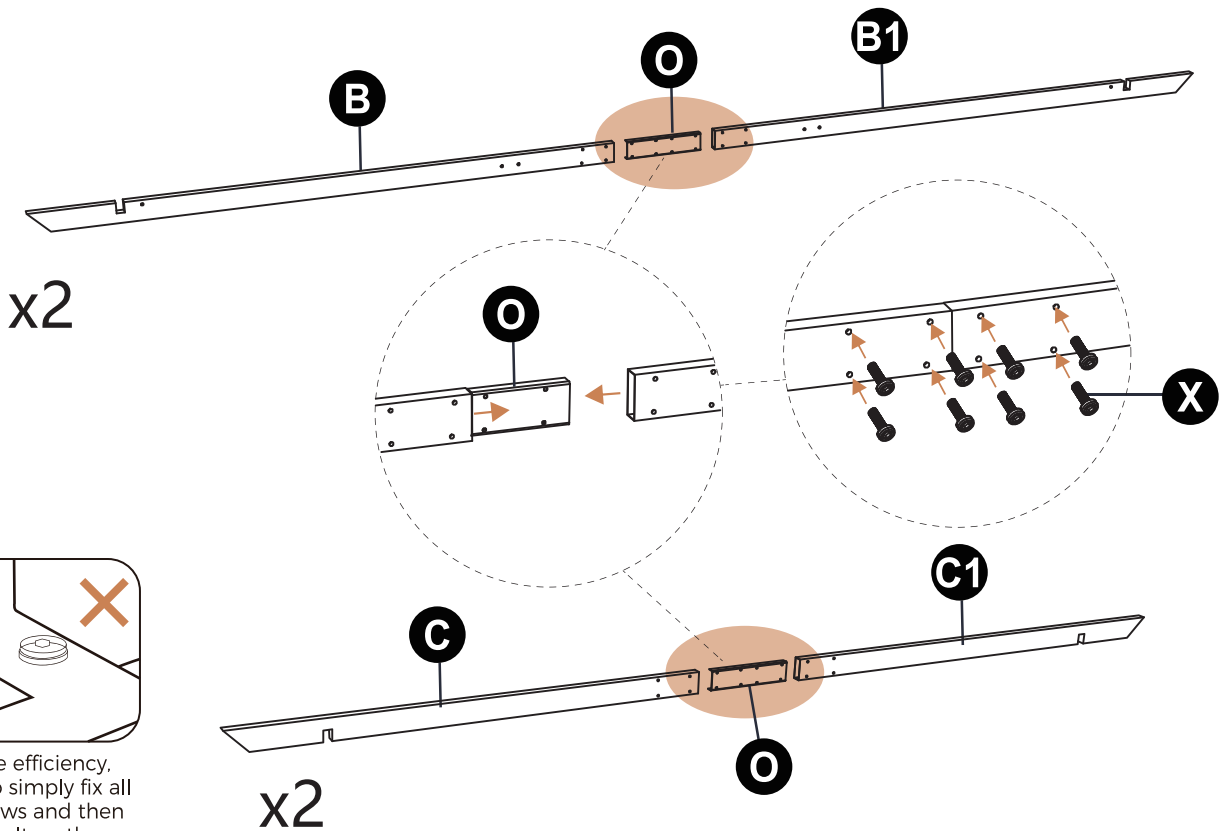


STEP 2

x32



X : 32 PCS



In order to increase efficiency, it is recommended to simply fix all accessories with screws and then tighten the screws altogether.

Email:
Guluk2023@outlook.com

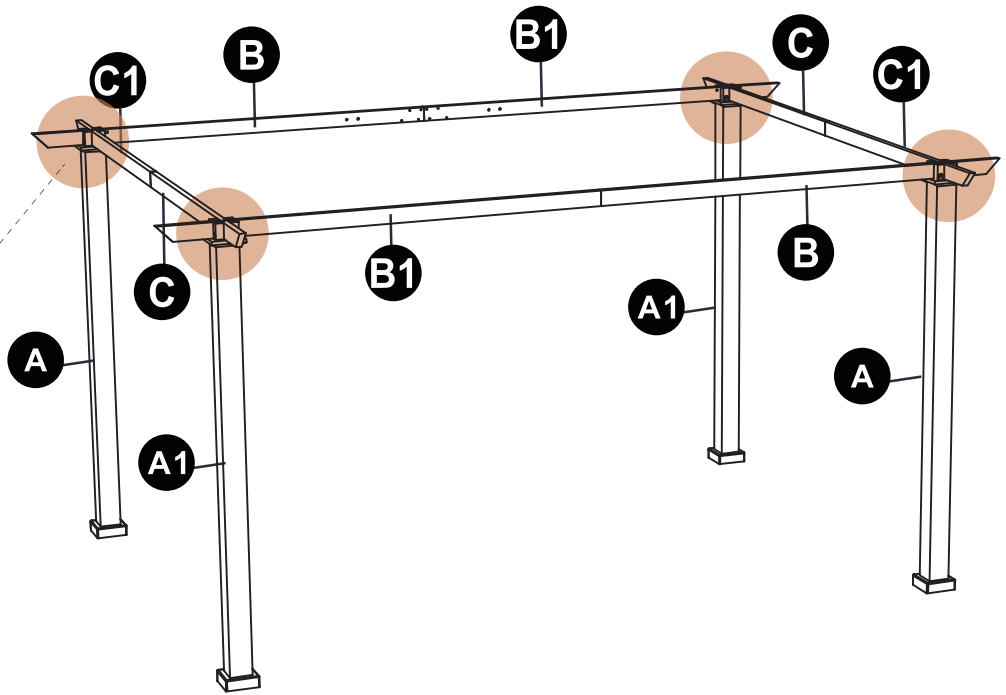
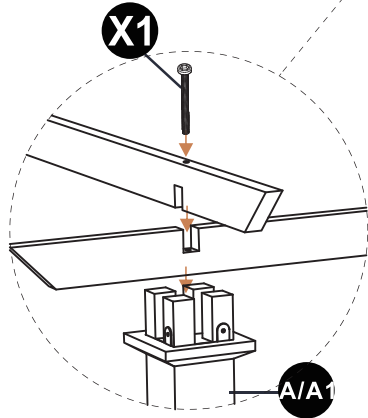
PRODUCT ASSEMBLY

STEP 3

x4



X1 : 4 PCS

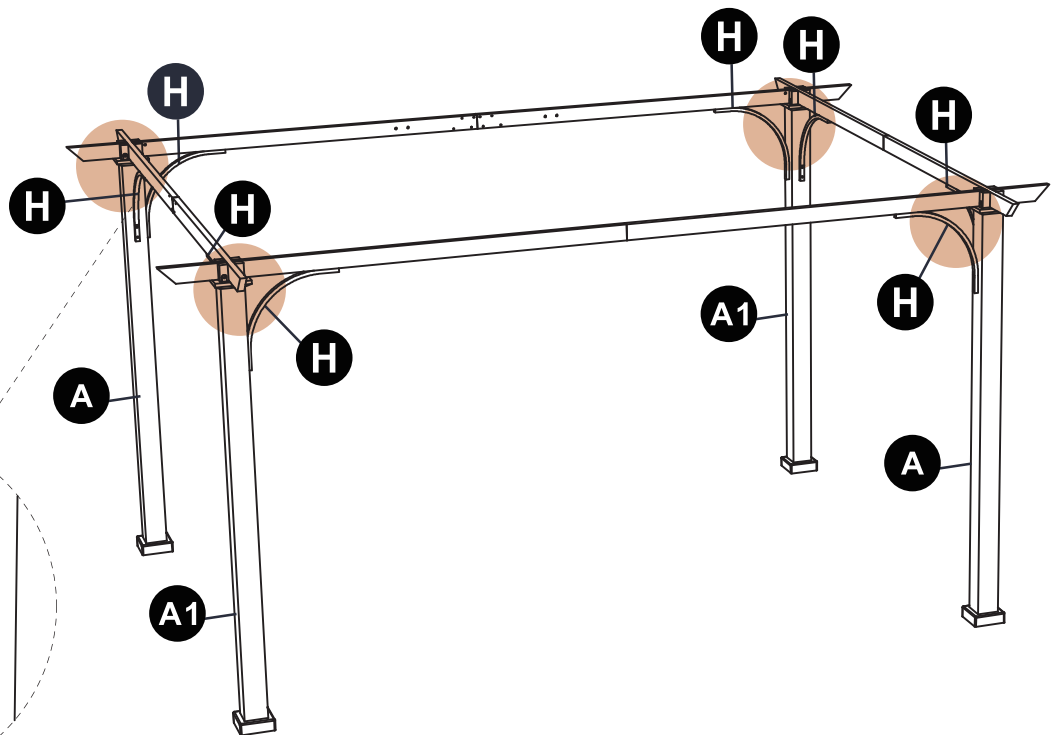
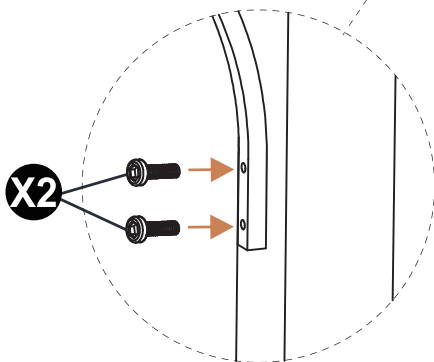


STEP 4

x32



X2 : 32 PCS



Email:
Guluk2023@outlook.com

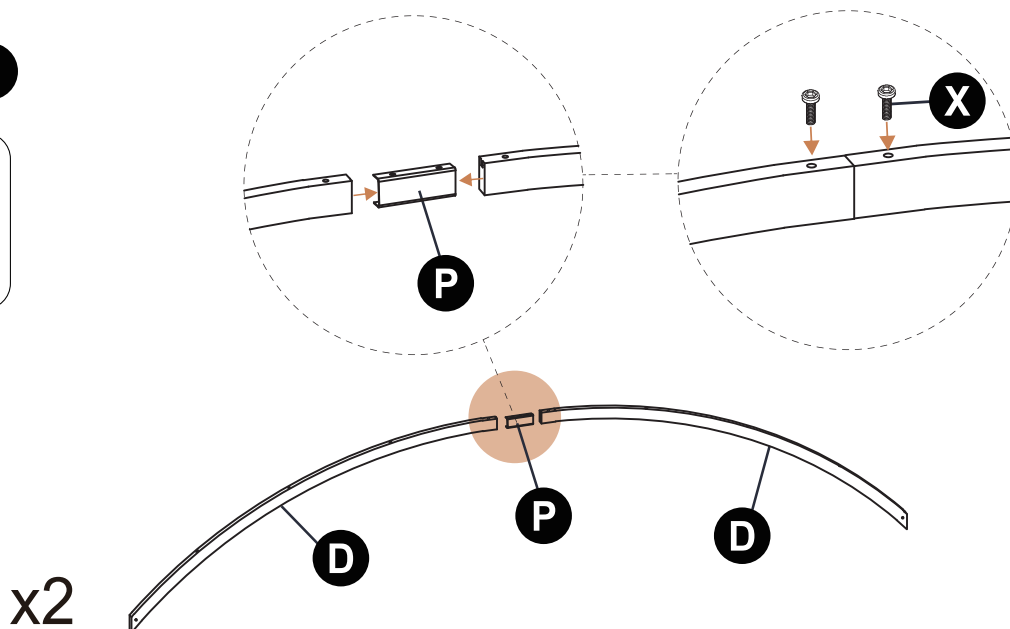
PRODUCT ASSEMBLY

STEP 5

x4



X : 4 PCS



STEP 6

x8

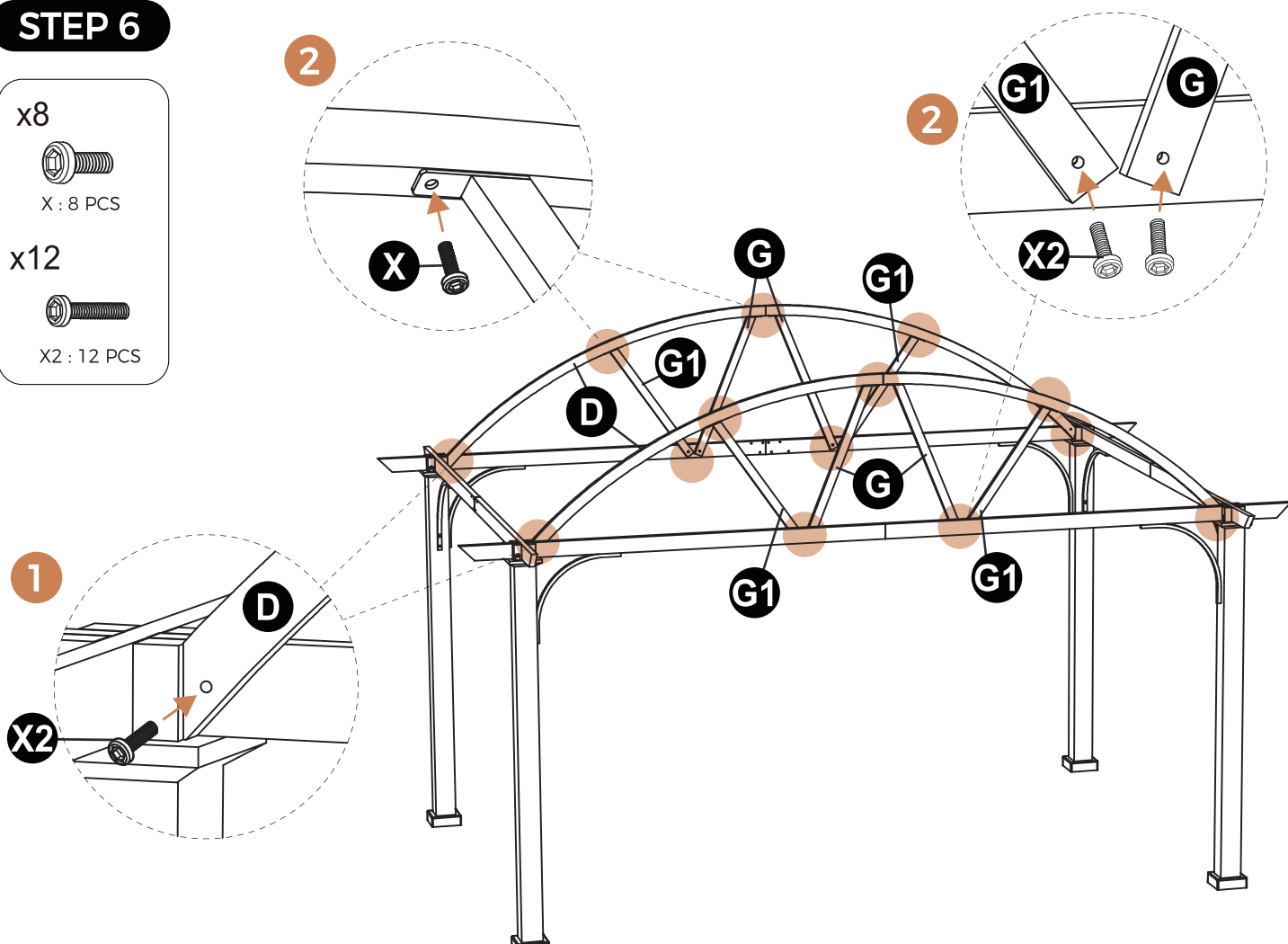


X : 8 PCS

x12



X2 : 12 PCS



Email:
Guluk2023@outlook.com

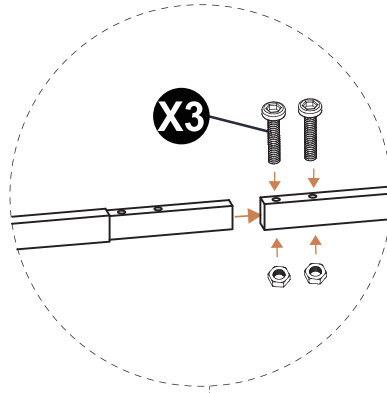
PRODUCT ASSEMBLY

STEP 7

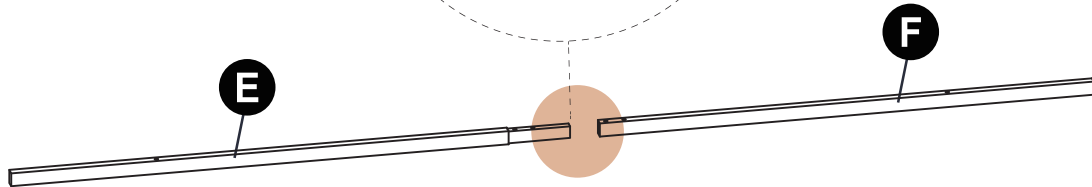
x14



X3 : 14 PCS



x7

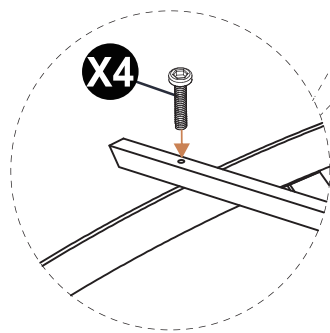
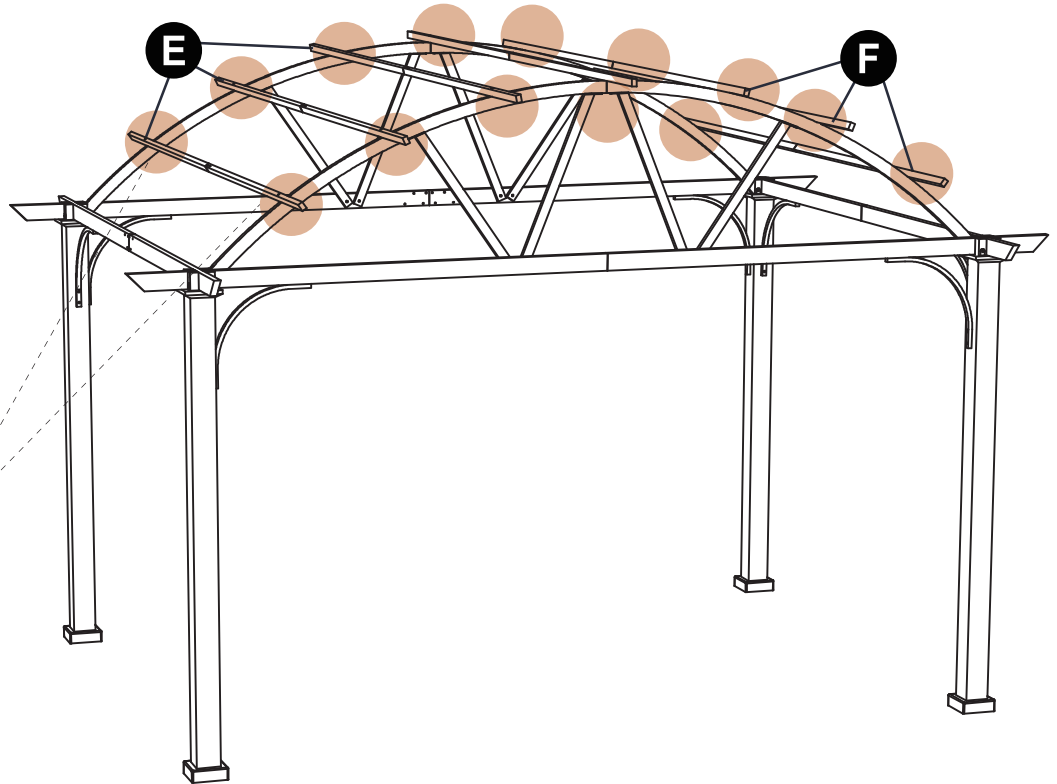


STEP 8

x14



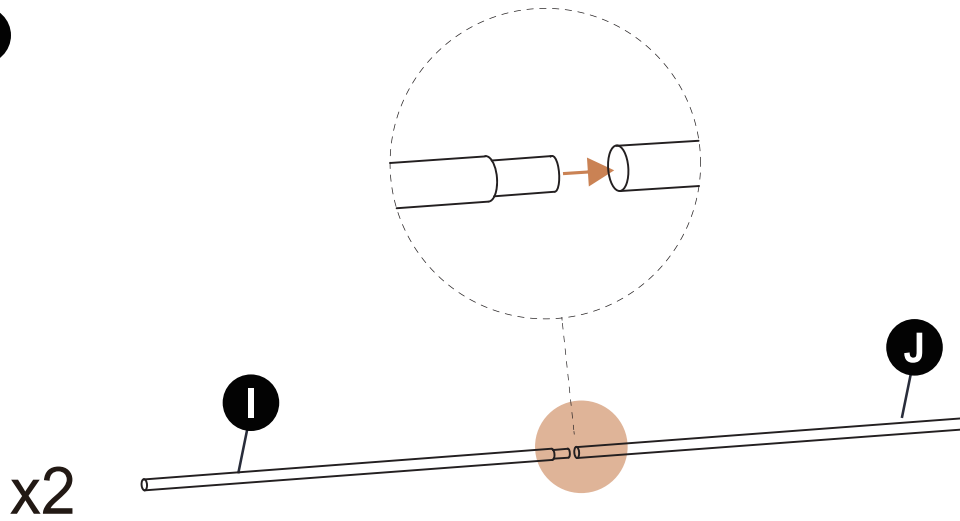
X4 : 14 PCS



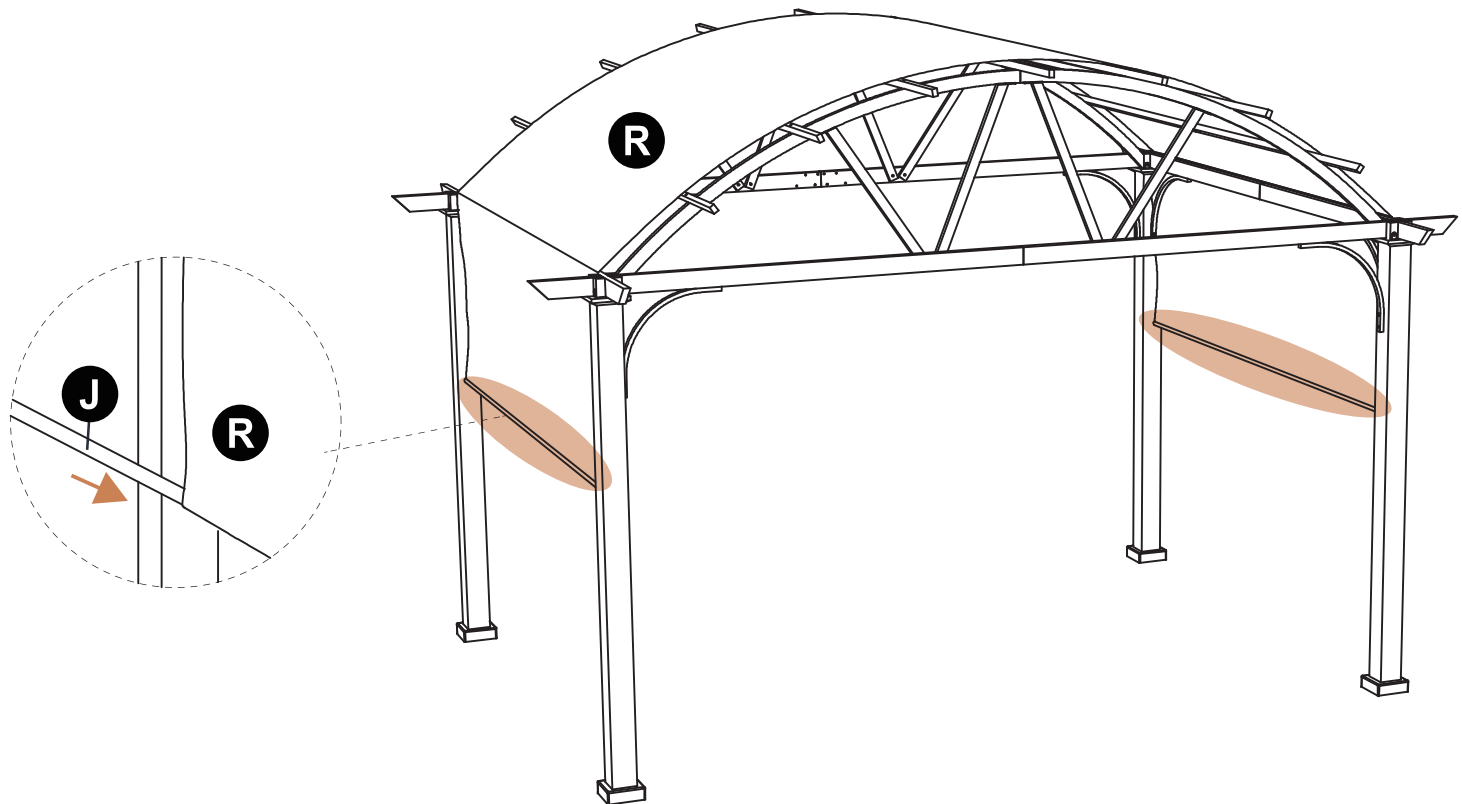
Email:
Guluk2023@outlook.com

PRODUCT ASSEMBLY

STEP 9



STEP 10



Email:
Guluk2023@outlook.com

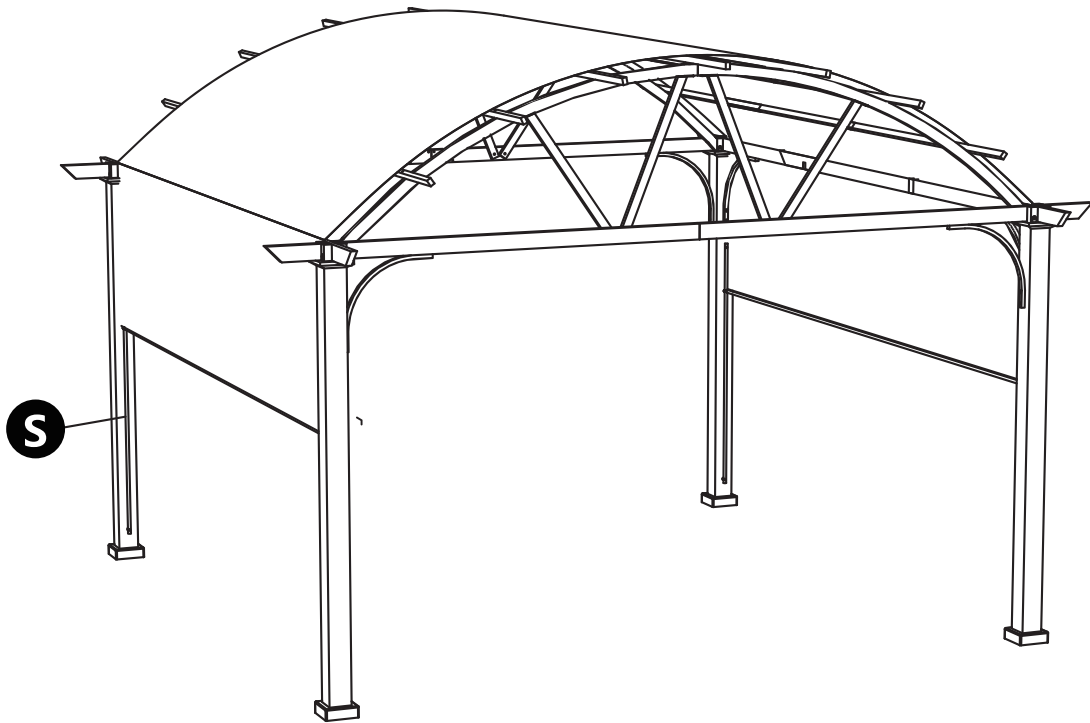
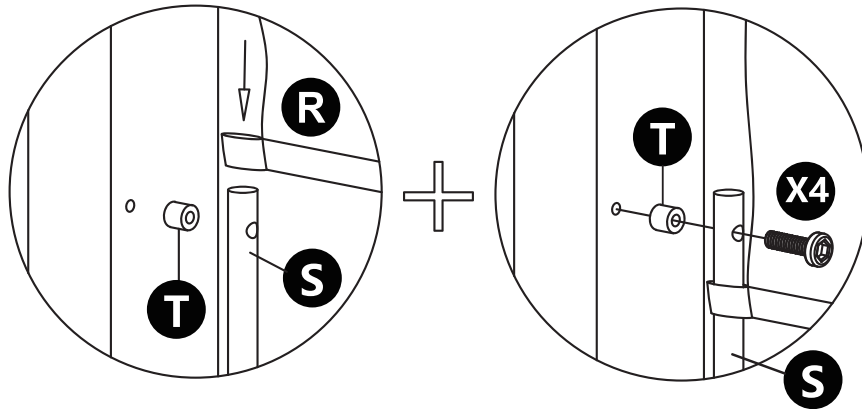
PRODUCT ASSEMBLY

STEP 11

x8



X4 : 8 PCS



Email:
Guluk2023@outlook.com

PRODUCT ASSEMBLY

STEP 12

x8



N : 8 PCS

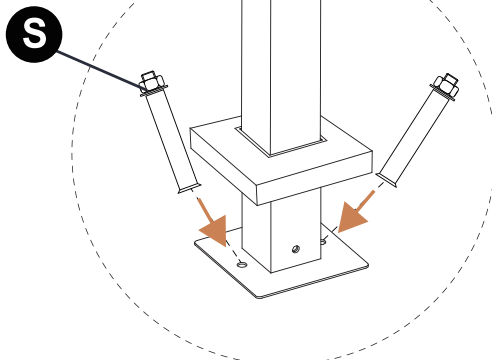
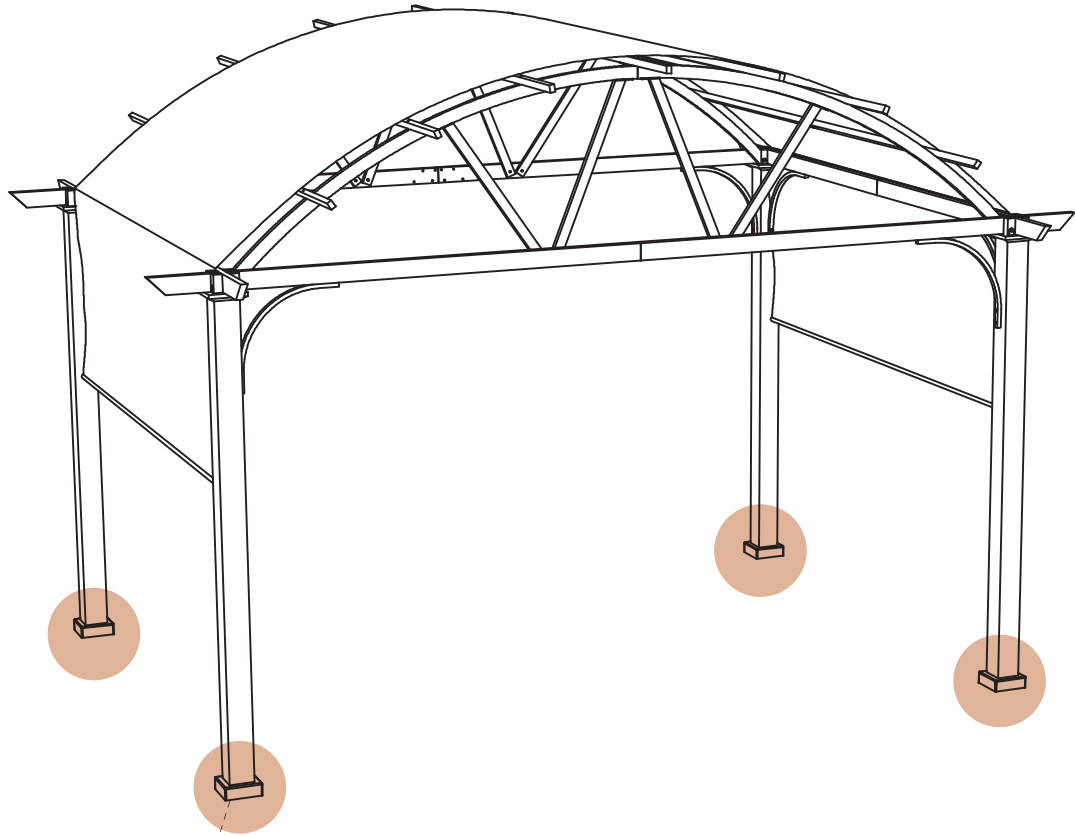
x8



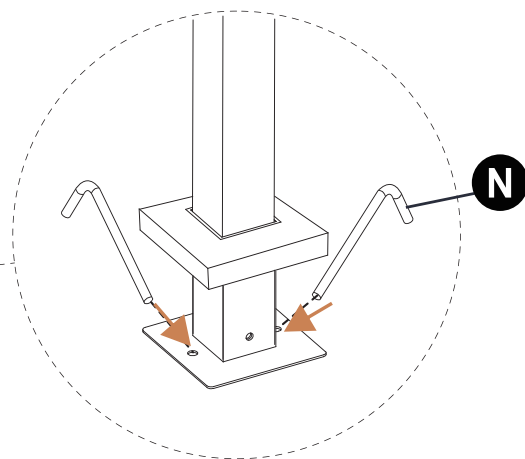
S : 8 PCS

Note:

We recommend having four people move and carry the four corners of the tent simultaneously. Otherwise, it is likely to cause damage to the tent.



On solid field



On grass field

Email:
Guluk2023@outlook.com