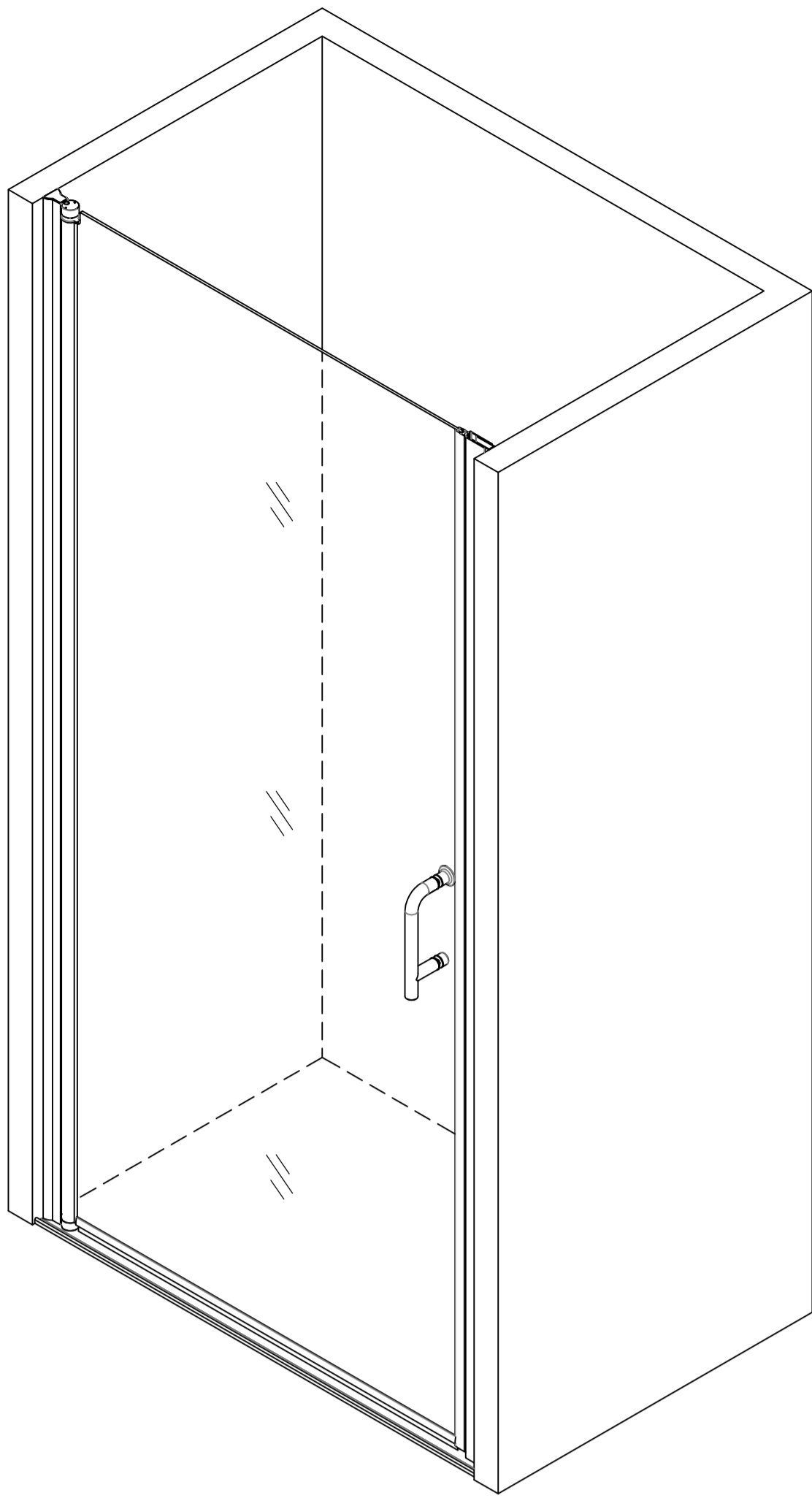
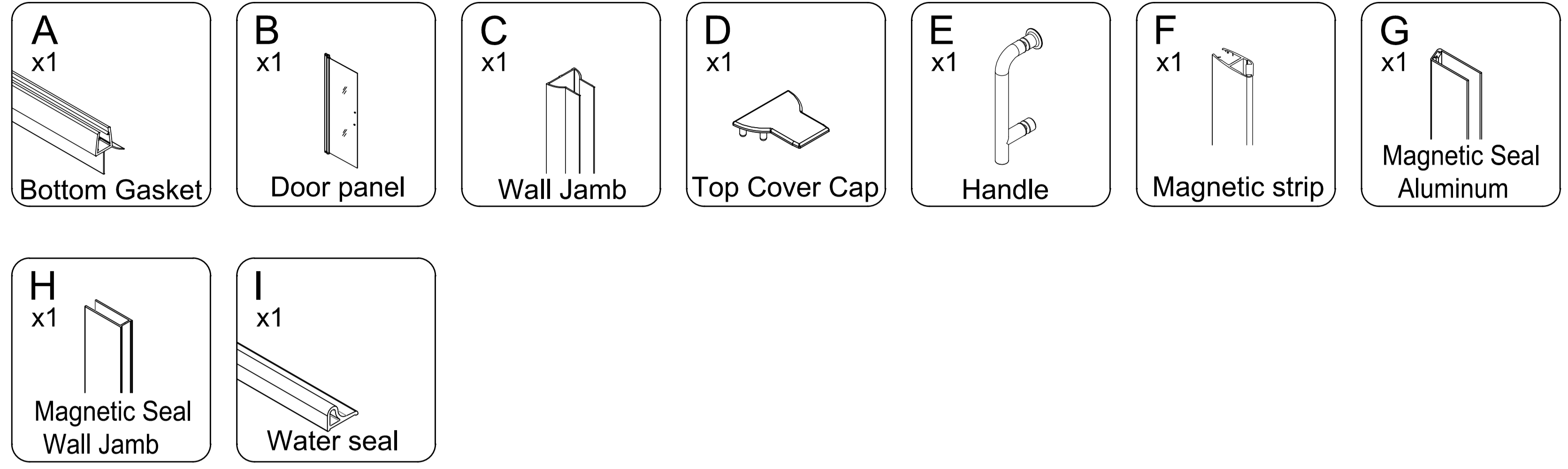


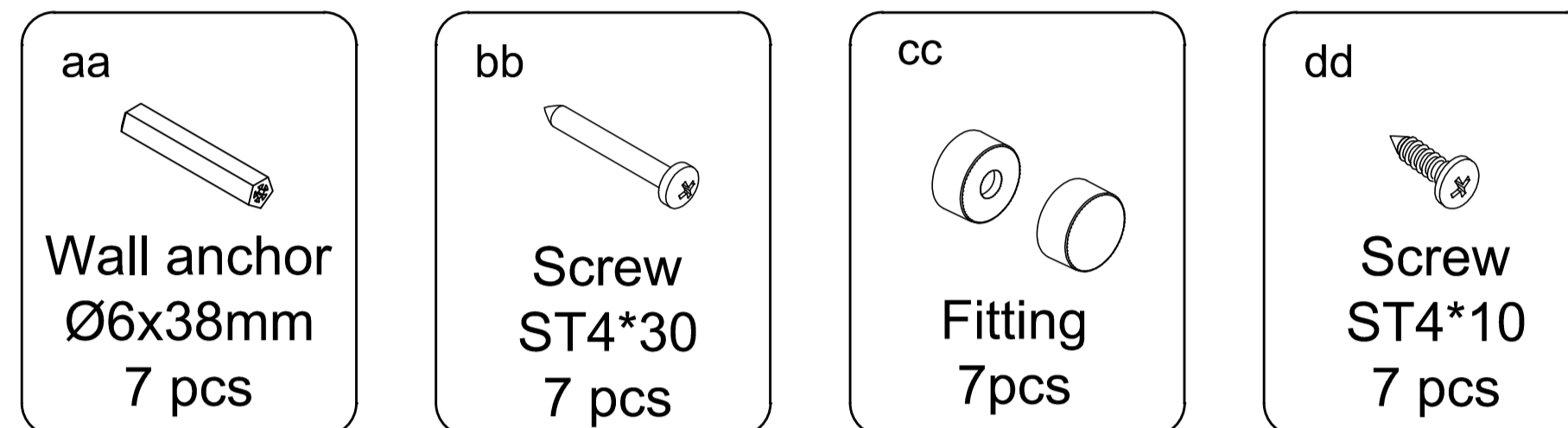
# Shower Door Installation Guide



## PACKAGE CONTENT

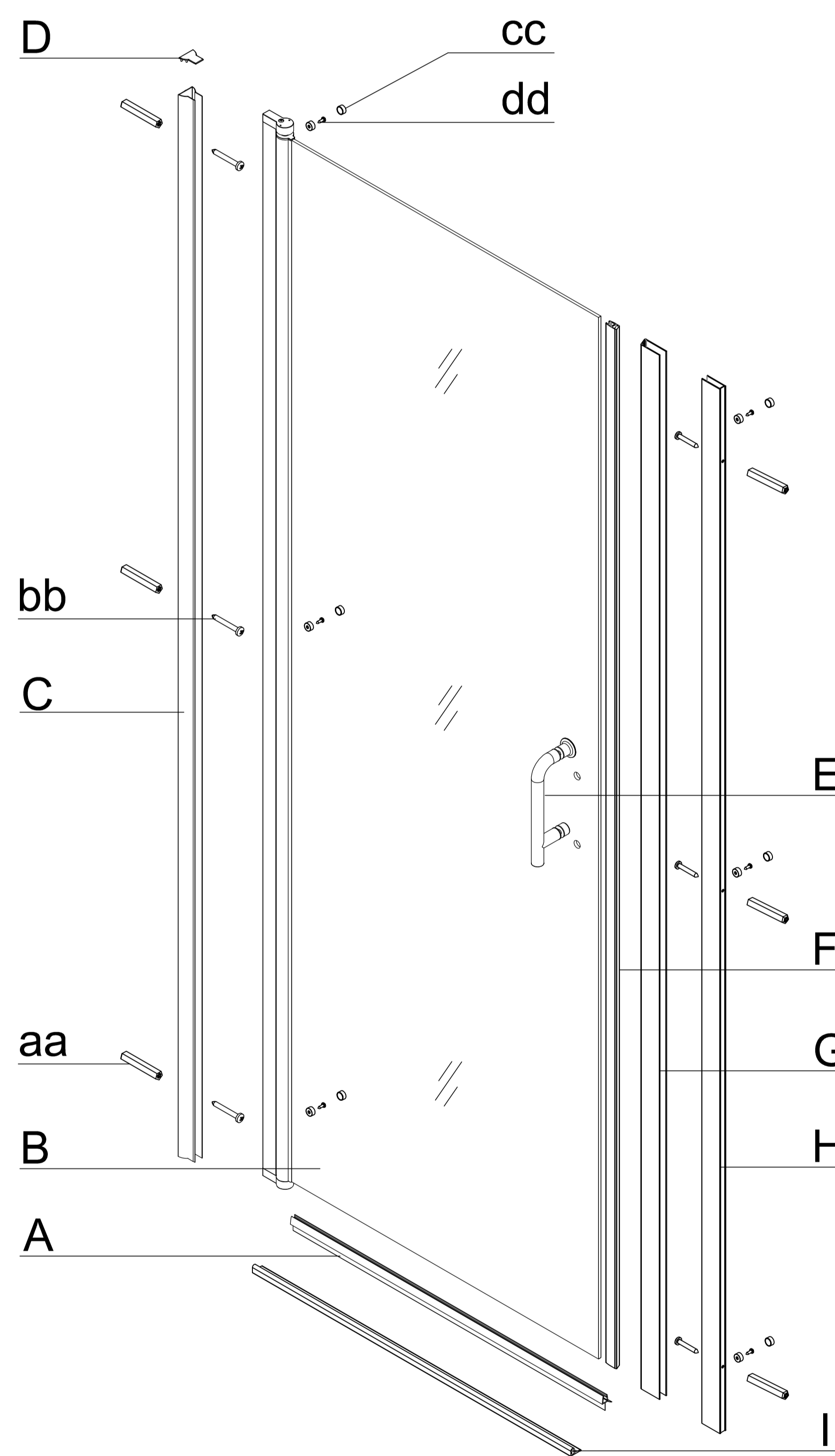


## HARDWARE CONTENT



★ One piece for each as spare part !

## Required Tools



## SAFETY INFORMATION

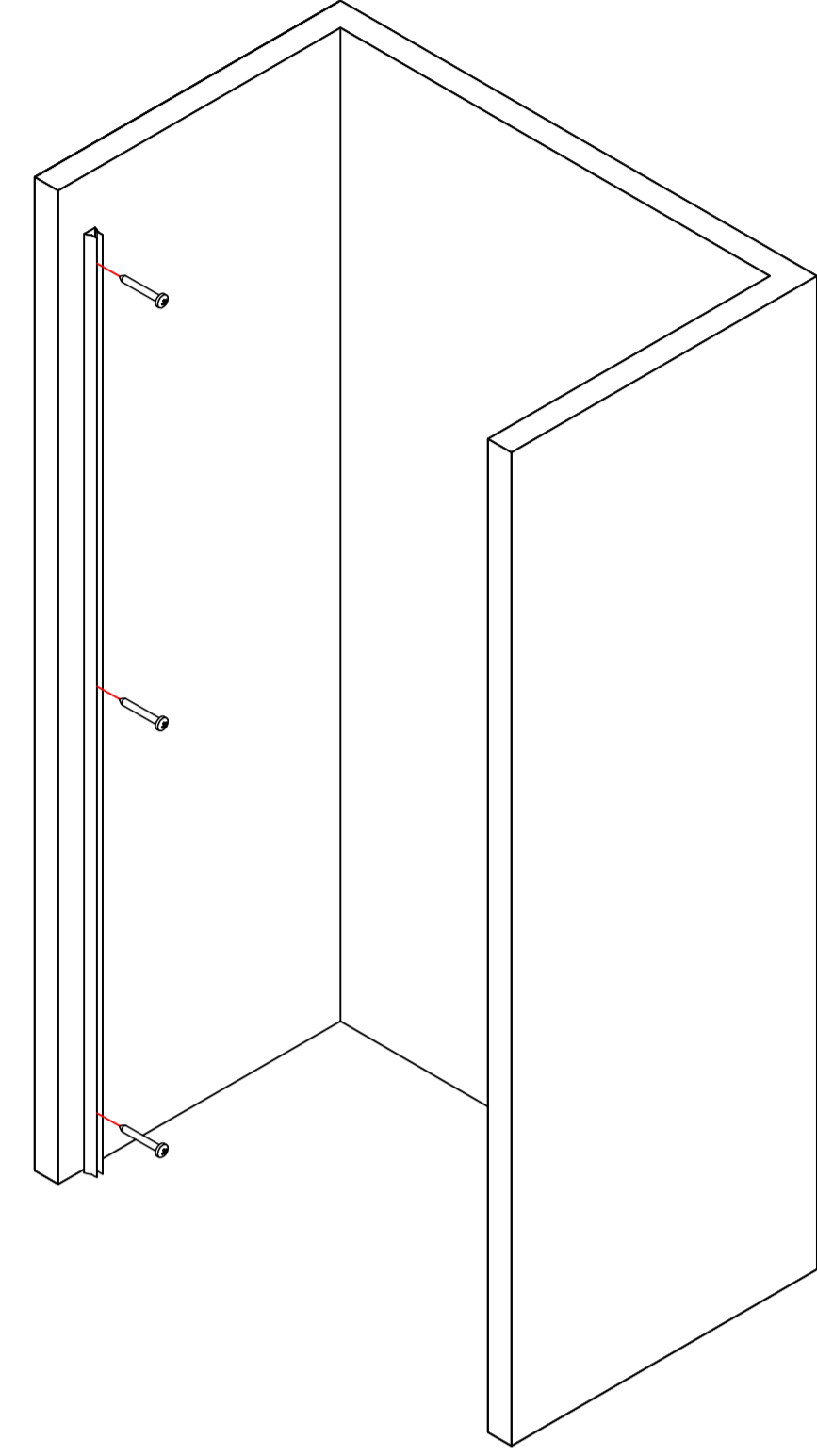
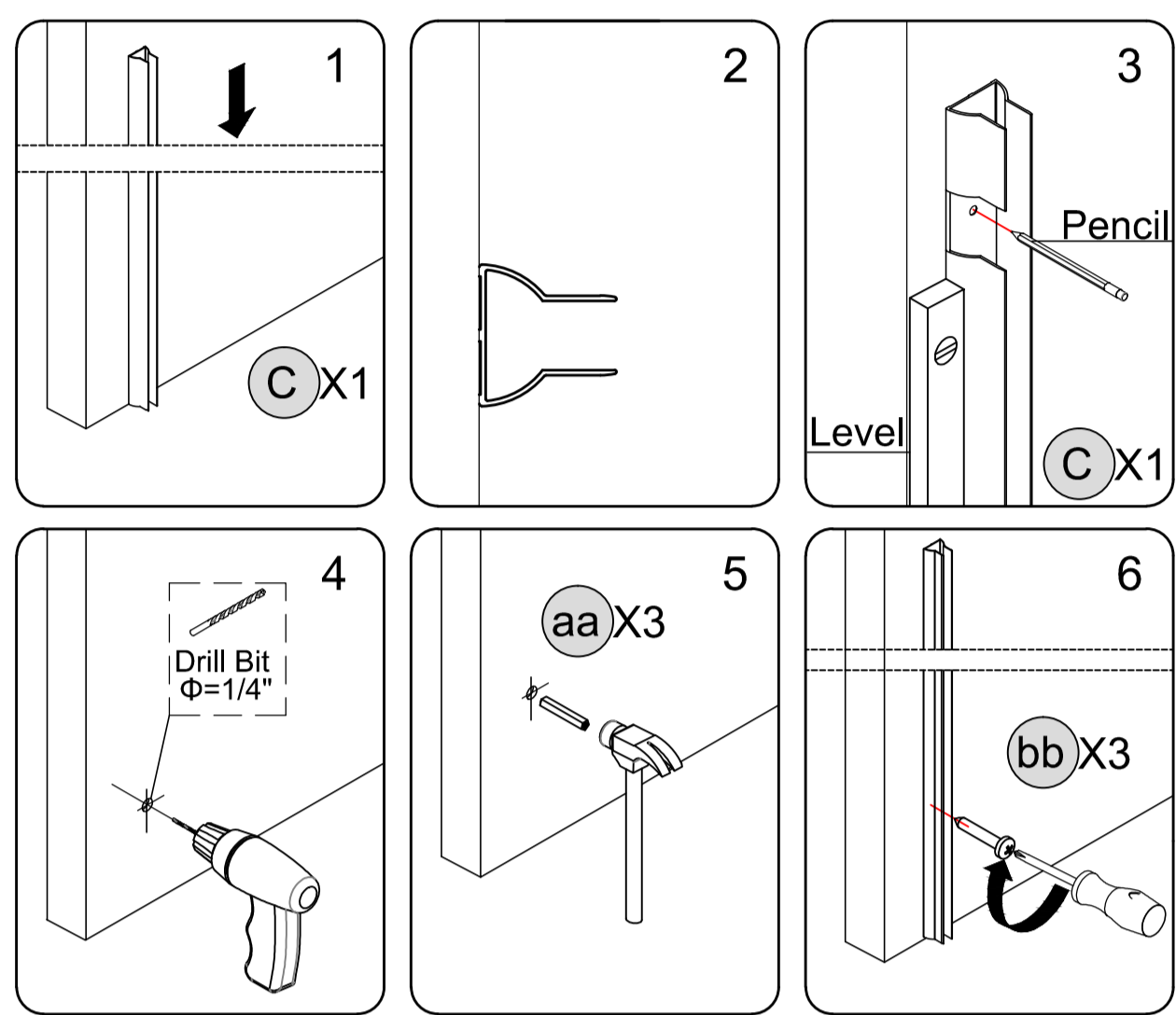
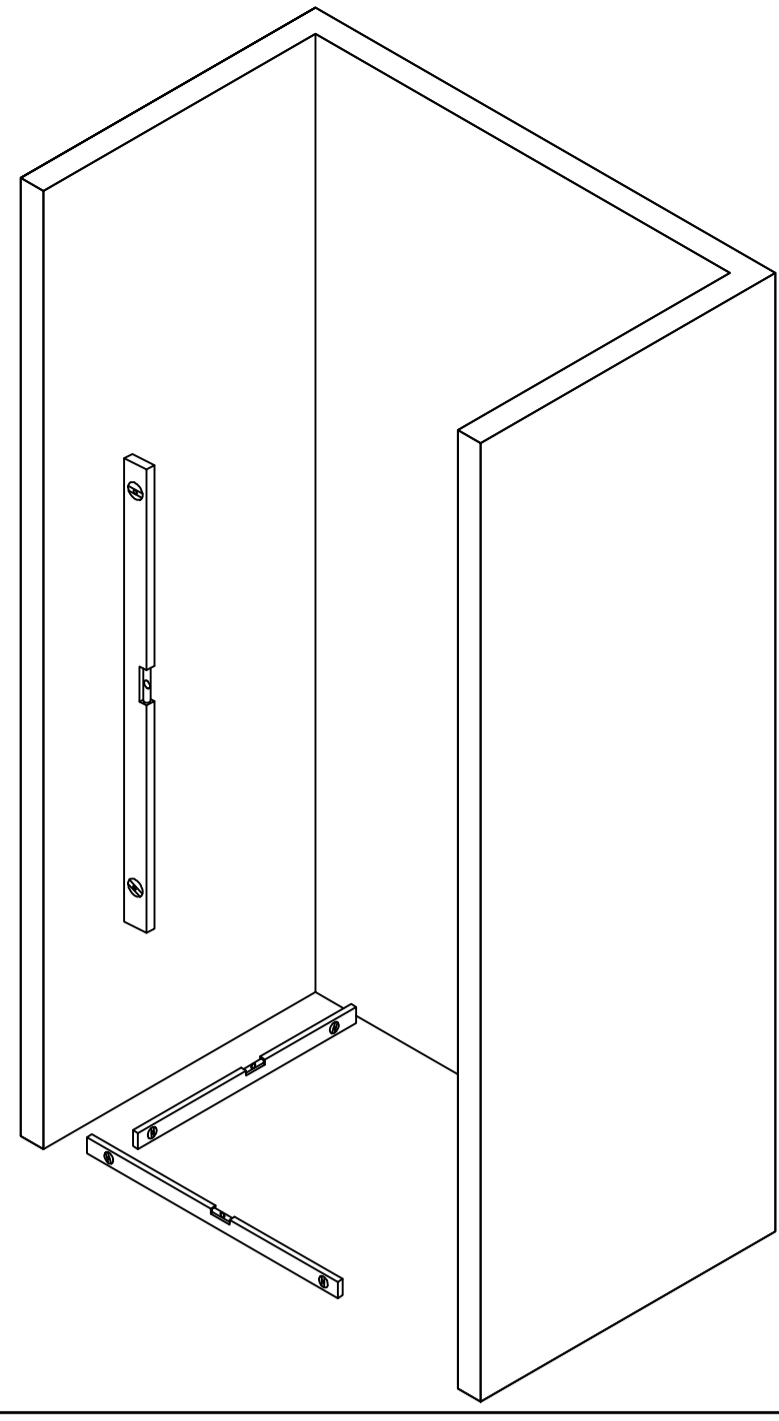
### CAUTION

Please carefully read the following important safety information before handling or installing this shower. There is a risk of serious injury while handling this product. To minimize these risks, please note:

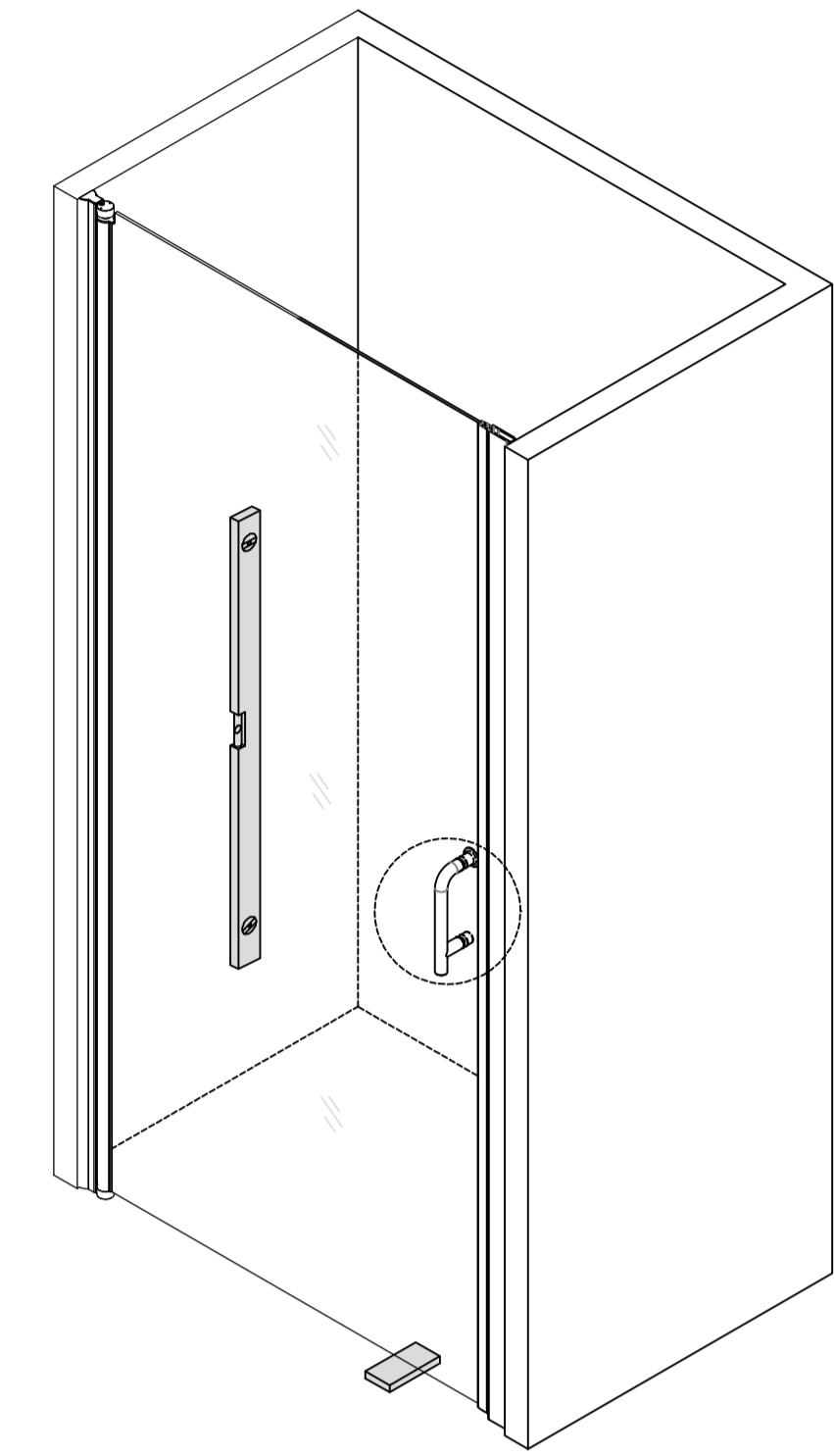
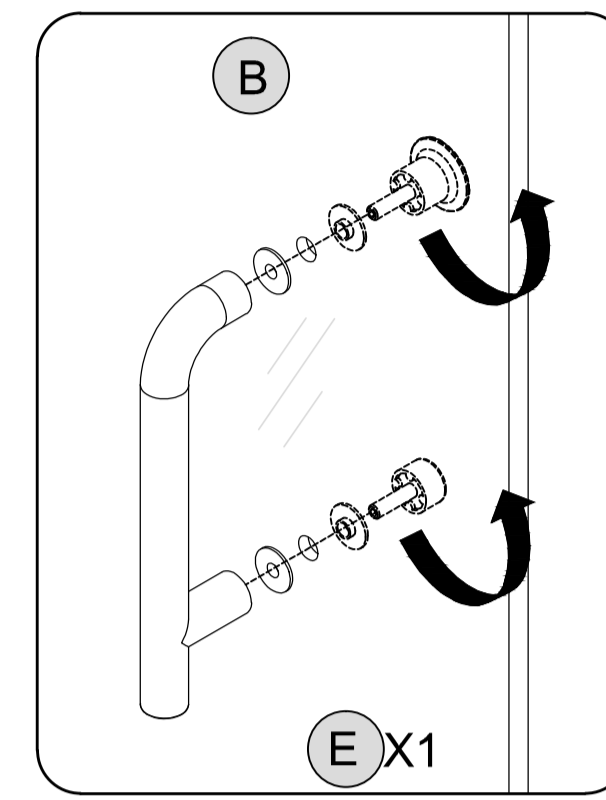
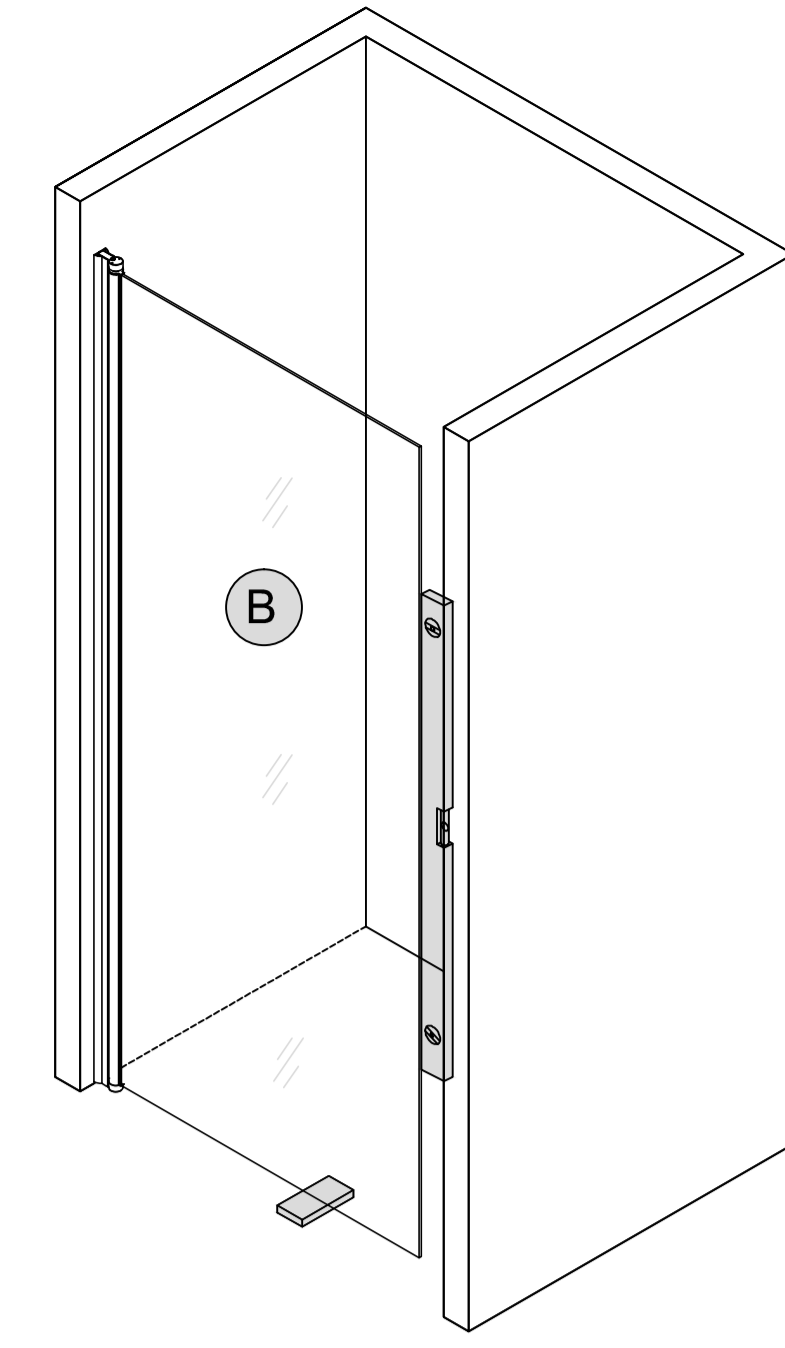
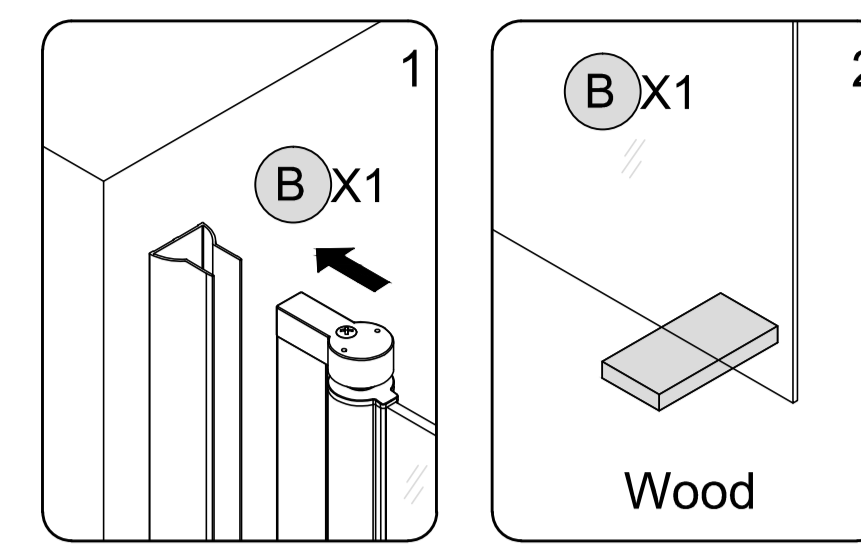
- Always wear safety glasses and gloves while handling.
- Always read and follow all the steps in the installation instructions.
- Inspect all contents and glass for damage before installation.
- Extreme caution should be taken while handling the glass during installation as the tempered glass may shatter if in contact with a hard surface.
- Handle the tempered glass with caution! Improperly handling the glass can cause it to break suddenly in small pieces (never in pointed fragments).
- Always take all precautions not to touch the tempered glass with any tools during the installation, or after installed.
- Do not cut or modify the tempered glass as it will shatter if cut.
- Carefully remove product from packaging and keep packaging until installation is complete.
- Inspect all parts for damage; if there is damage to the unit prior to installation, please contact customer service at the number provided in this guide.
- Install the shower on a floor that is level and able to accommodate the weight of the unit and an occupant.
- Consult local building codes and compliance standards prior to installation and ensure conformity.
- After installation, and from time to time, check the glass for fit and finish to ensure that nothing has come loose since installation.
- Keep this installation manual for future reference.

**NOTE: Heavy product ! You will need at least two people to install this unit properly.**

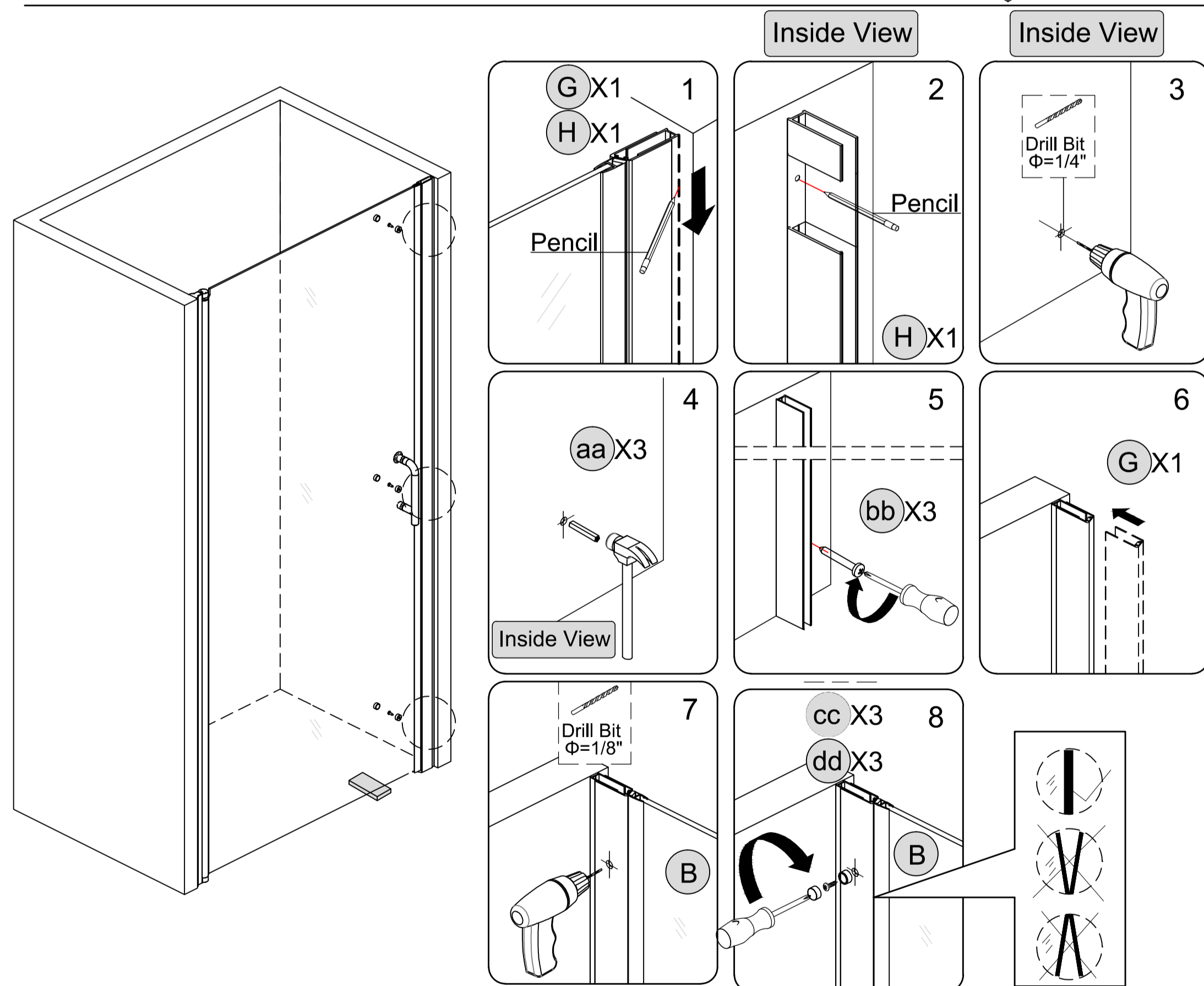
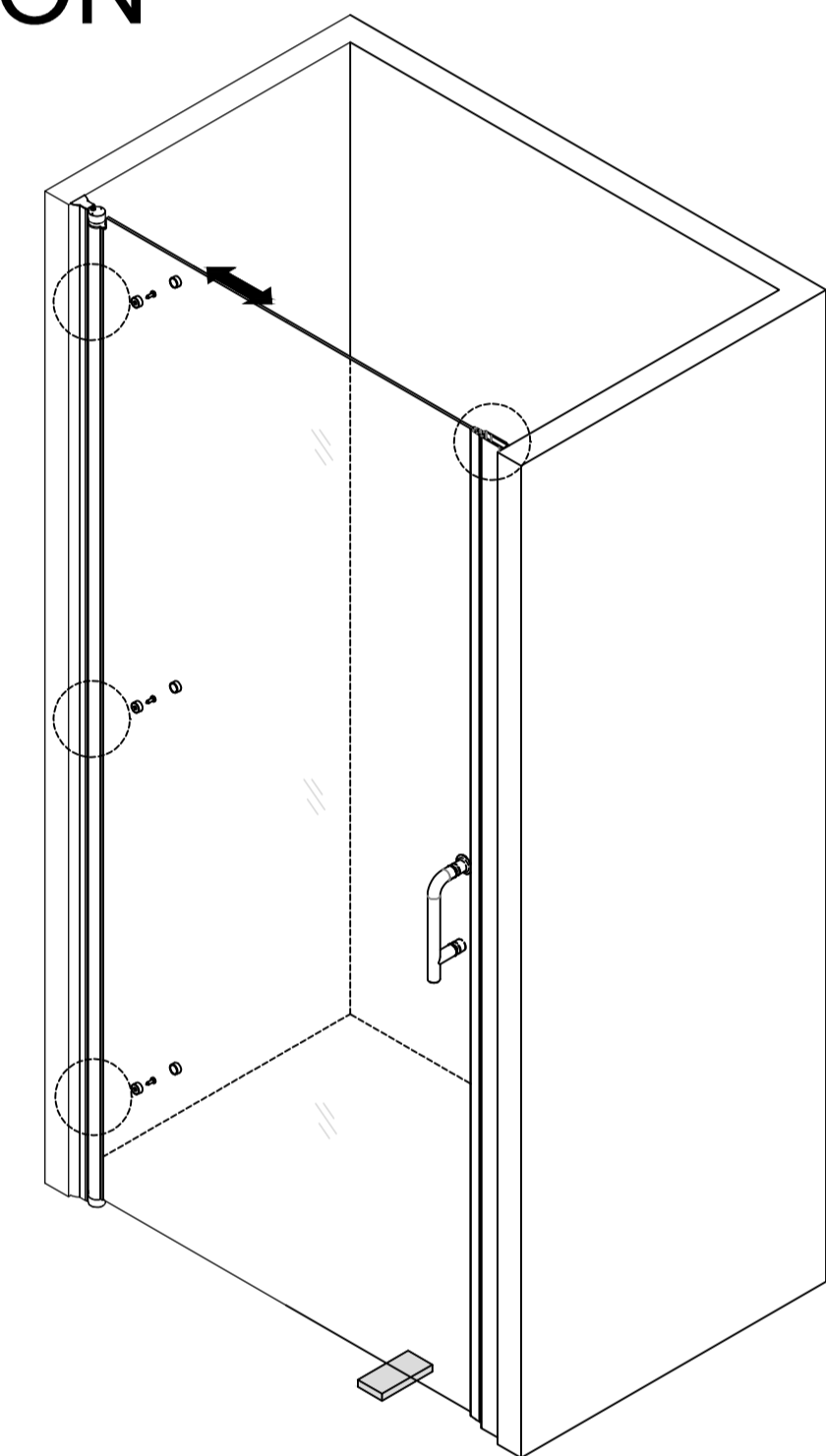
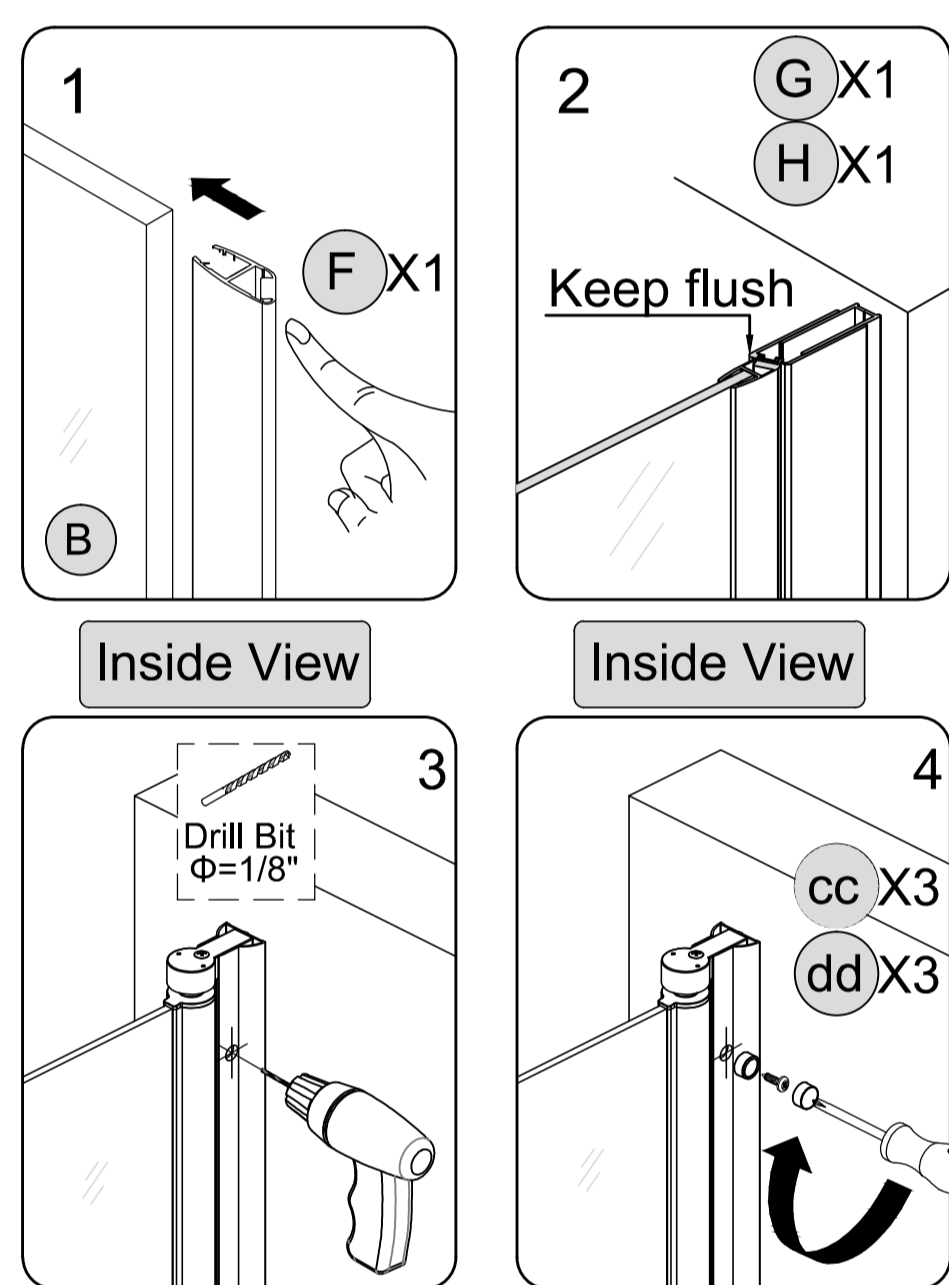
## 1. LEVEL & WALL JAMB INSTALLATION



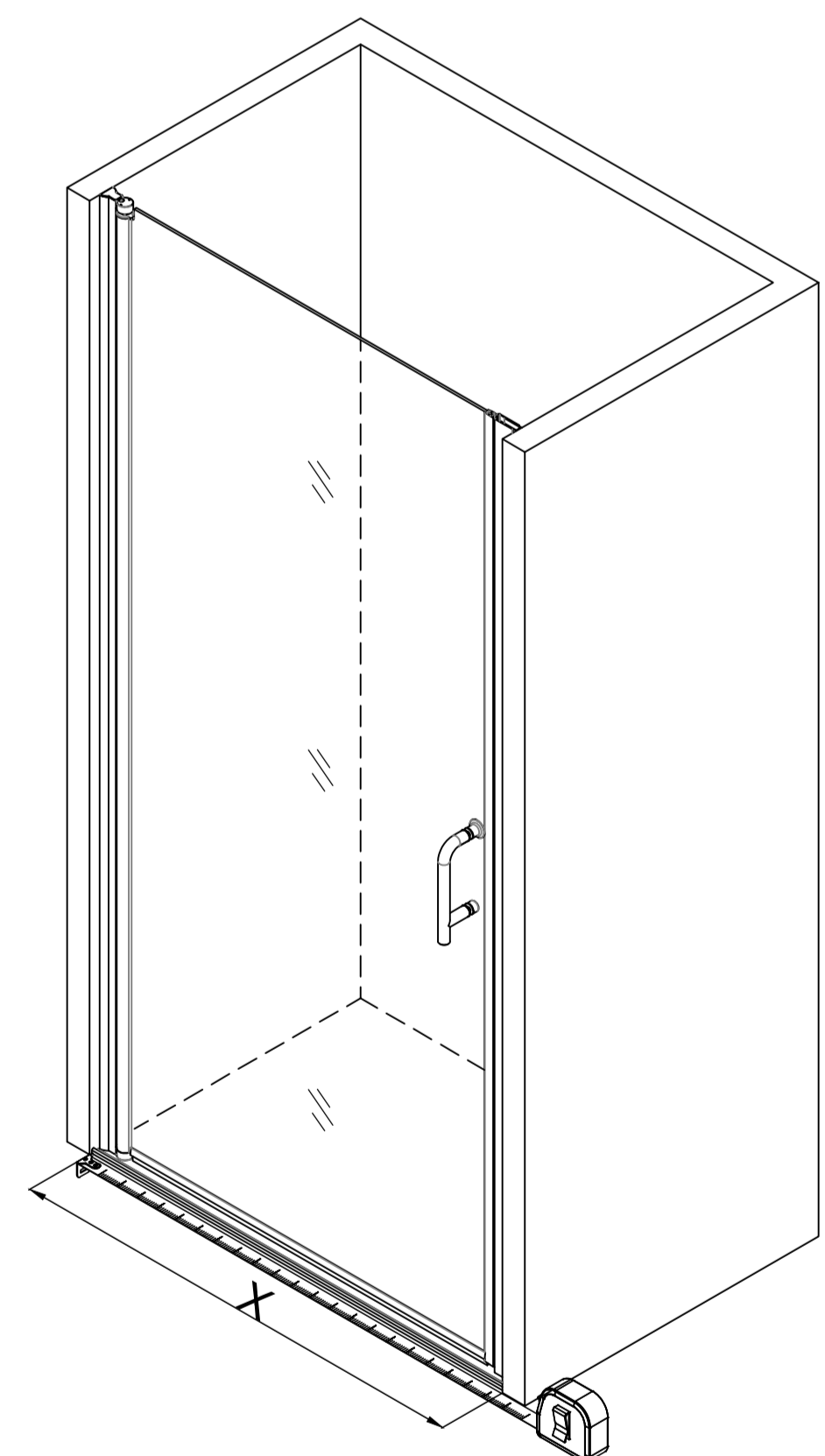
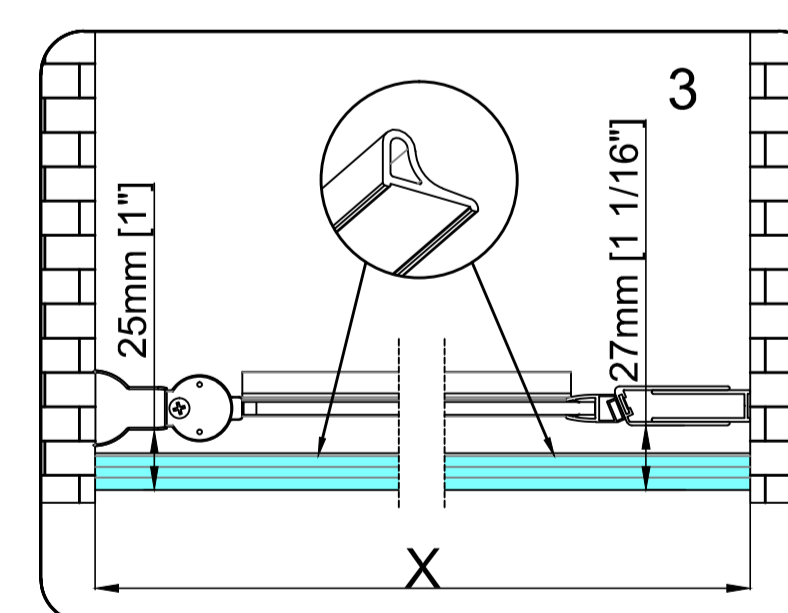
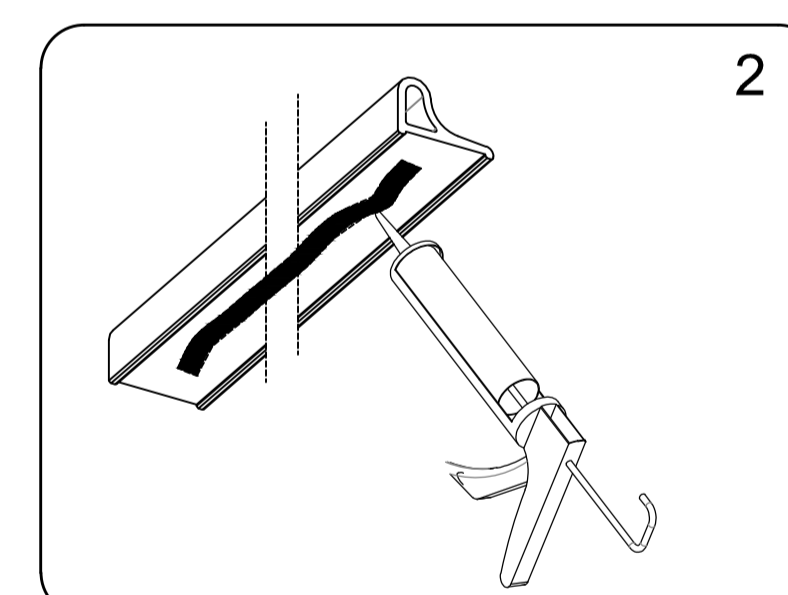
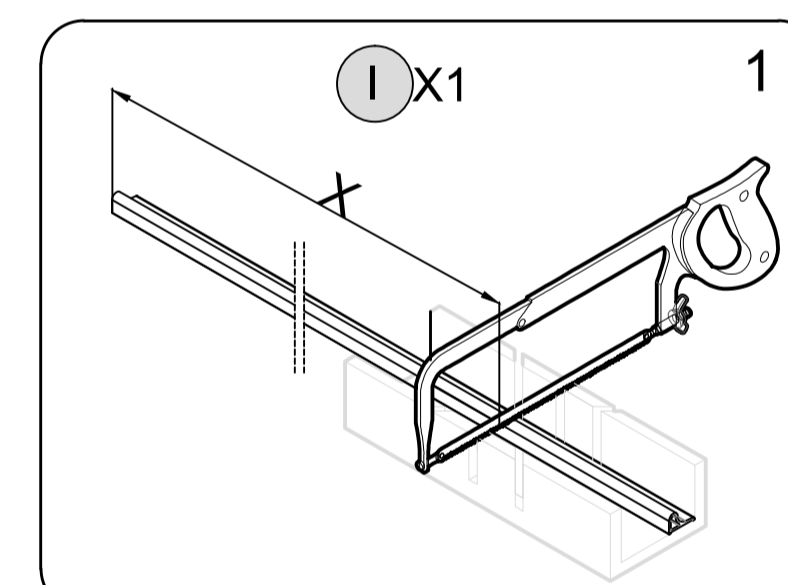
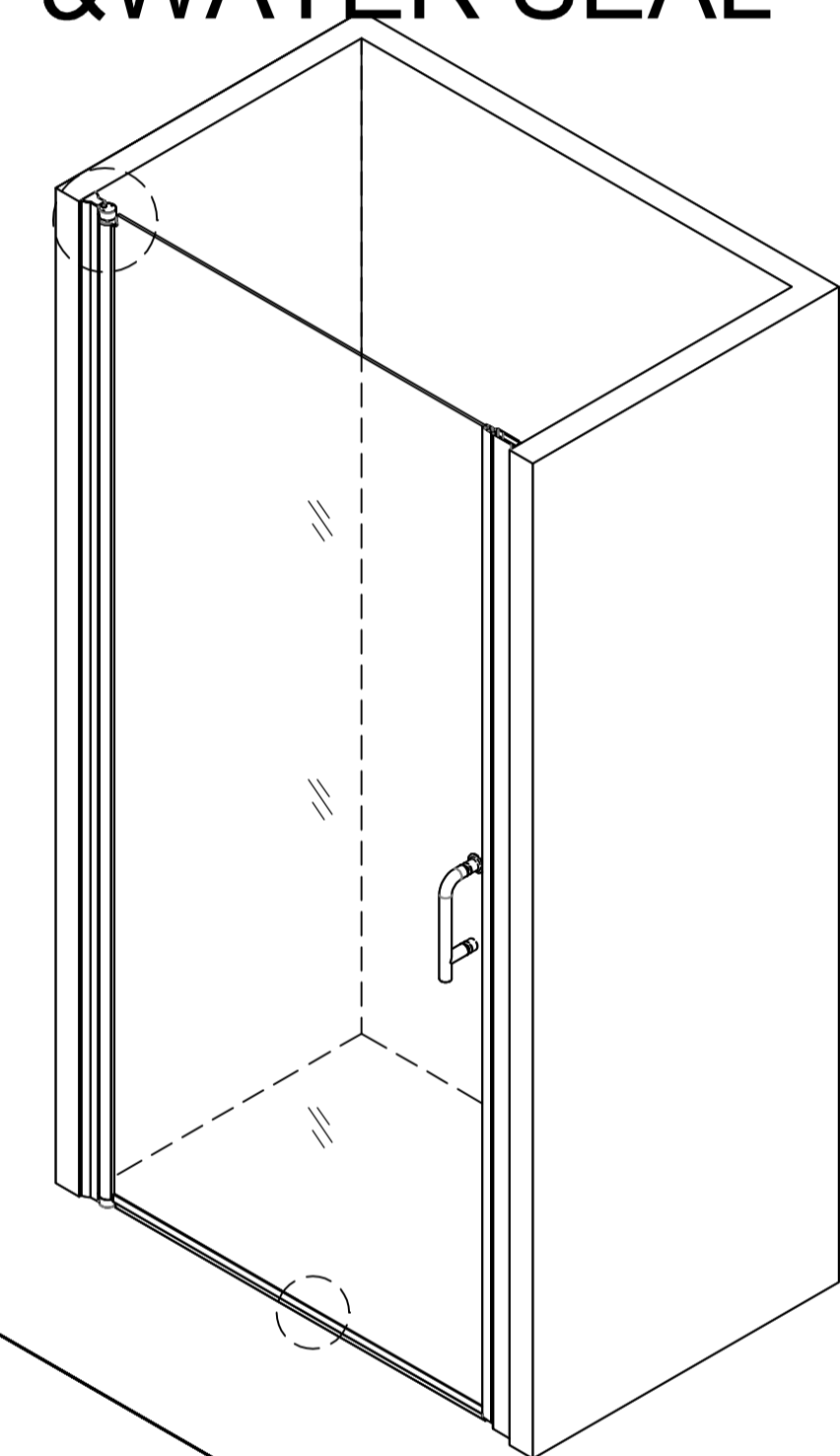
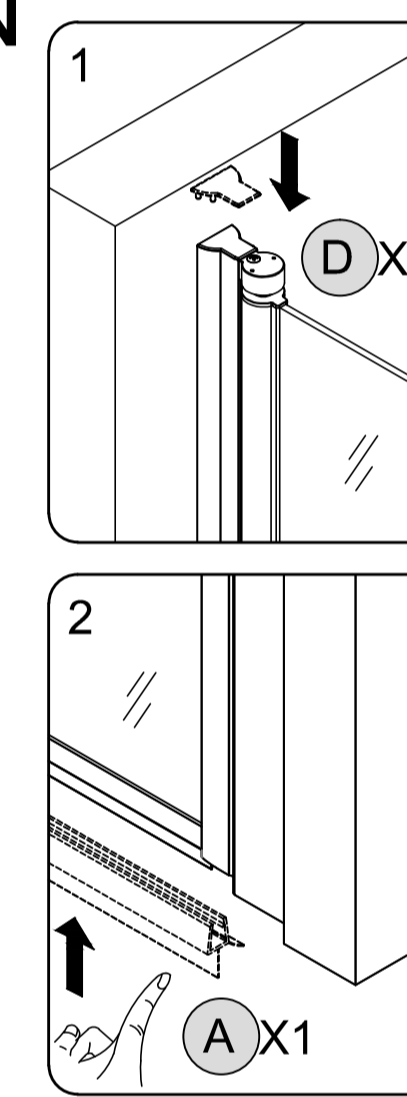
## 2. DOOR PANEL & HANDLE INSTALLATION



## 3. MAGNETIC STRIP INSTALLATION

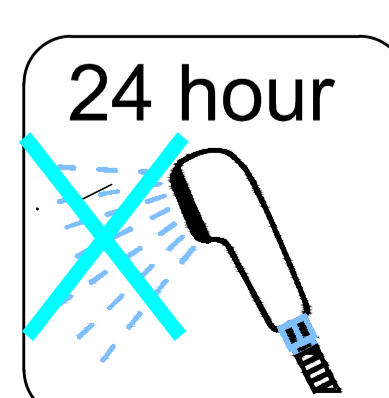


## 4. TOP COVER CAP & GASKET & WATER SEAL INSTALLATION



## 5. SEALING

Ensure that the Shower door closes tightly and opens smoothly.  
**Apply a good quality silicone sealant along the wall Jamb(C)&(H)and Water seal (I) .**  
 Allow 24 hours for silicone to dry before use.



! Apply Silicone Sealant.(not supplied).

