



## FOUR POINT OVAL RACK PR14



If you need assistance, please call 1-877-ENCLUME  
**Enclume Design Products**  
 24 Colwell Street, Port Hadlock, WA 98339

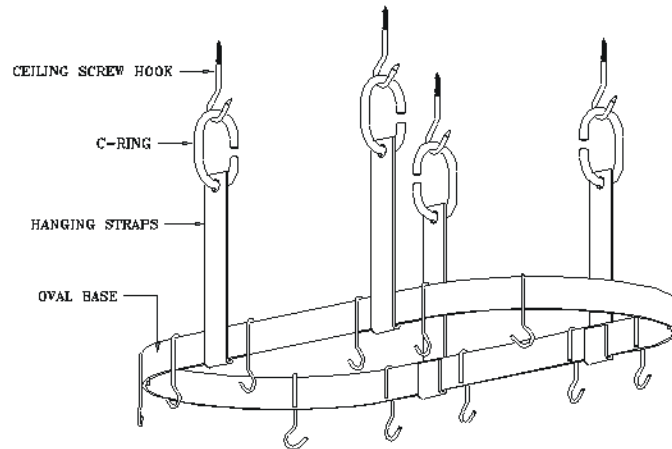
Enclosed you will find everything needed for the assembly and use of your ceiling rack. Two people make assembly and installation easier. The parts and hardware included are:

### Components included:

- 1 – Oval Base
- 4 – Hanging Straps
- 4 – C-Rings
- 12 – Angled Pot Hooks (
- 4 – Ceiling Screw Hooks

**If you have also purchased a grid** (sold and packaged separately)  
**you will also have received:**

- 1 – Grid
- 6 – Straight Pot Hooks
- 6 – Grid Brackets



## ASSEMBLY AND INSTALLATION INSTRUCTIONS

**Grid Insertion** (if you have not purchased a grid, please continue on the rack assembly instructions)

- 1) Slip the 6 grid brackets over the oval base with the “L” portion pointing to the inside. Center one bracket on each end and one on the inside of each hanging bracket.
- 2) Place the grid on the brackets. You are now ready to assemble the rack.
- 3) Hang your pot hooks from interior squares only. **Do not** hang them from the perimeter or the cut portions of the grid. Distribute your cookware evenly.
- 4) The grid has been treated with a finish which will resist corrosion and tarnish. It can be cleaned with a damp cloth and dried thoroughly. Please do not use abrasive cleaners.

### Rack Assembly

- 1) If your rack is plated, it is best to keep the tissue on during installation to avoid fingerprinting.
- 2) Slip the oval into the U at the bottom of each hanging strap. To maintain maximum stability, the straps should be spaced at least 16” apart along each straight side of the oval.
- 3) Your rack must be anchored into solid wood of ceiling joists or beams. Plasterboard or wall fasteners **will not** work and should **not** be used. Carefully measure the area where the rack is to be hung and install the ceiling screw hooks. Your local hardware store can advise you if special hardware is needed for your particular kitchen.
- 4) Distribute your cookware evenly around the rack.

**WARNING:** It is important that your ceiling rack is assembled correctly. If the unit is assembled or used incorrectly, it could become unstable and collapse, possibly causing injury.

**LIMITED WARRANTY:** This product is warranted to be free of material defects, other than that from normal use, for a period of five years from the date of purchase. Customer's exclusive remedy shall be the repair or replacement of the defective product and shall be subject to the following conditions: (1) notice of any defect is received by Enclume within the warranty period and (2) customer returns the defective product to Enclume Design Products, 24 Colwell St., Port Hadlock, WA 98339, postage prepaid within 20 days following a return authorization number (which may be obtained by telephoning the number at the top of this instructions) being provided to the customer by Enclume. There are no other warranties, expressed or implied. THERE ARE NO WARRANTIES OF MERCHANTABILITY OR FITNESS FOR A PARTICULAR PURPOSE. ENCLUME SPECIFICALLY DISCLAIMS ANY AND ALL INCIDENTAL OR CONSEQUENTIAL DAMAGES ARISING OUT OF THE PURCHASE OR USE OF ENCLUME'S PRODUCTS.