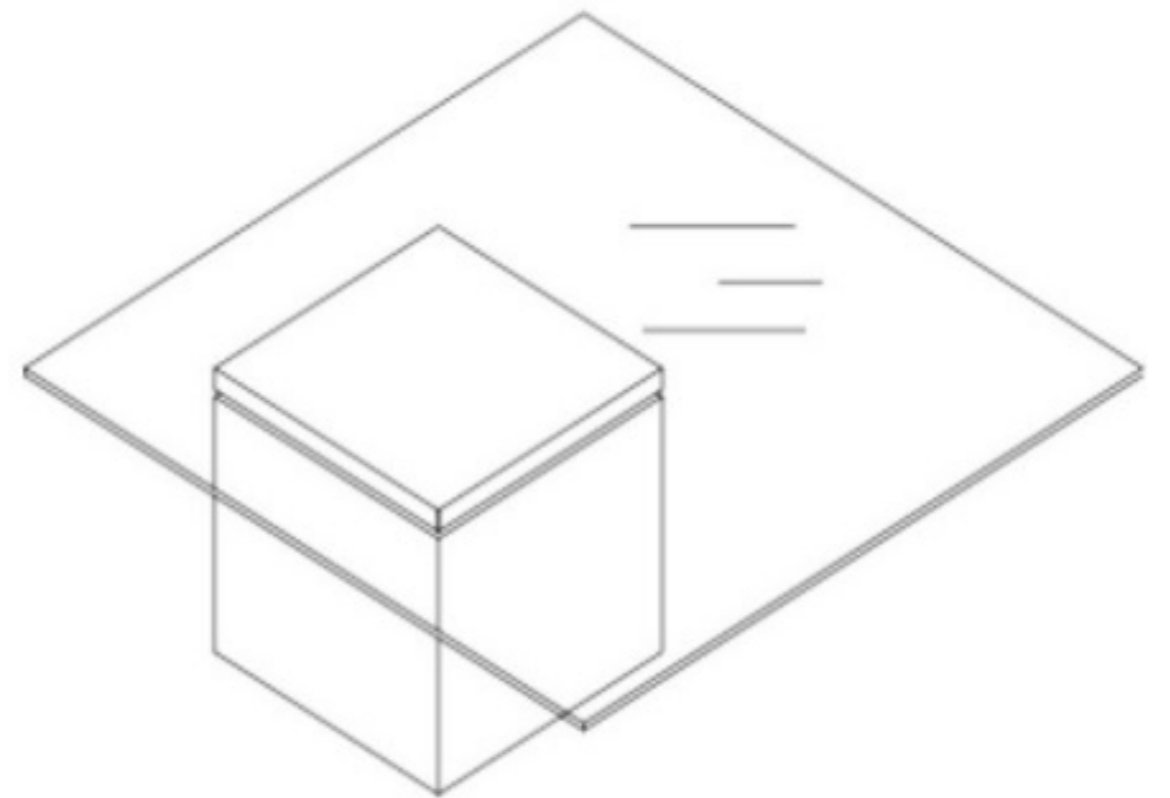


SOPHIBETH CONCRETE AND GLASS COFFEE TABLE

DESIGN # SFV2611

Assembly Instructions



Need help?

Feel free to contact us via email or call
if you have any specific questions!

contact us:

cs@safavieh.com

866-422-9070

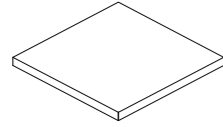
SAFAVIEH
C O U T U R E

Thanks for bringing Safavieh Couture into your home

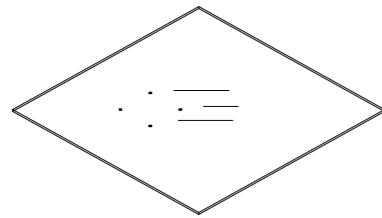
Everything we make is incredibly simple to set up , including your Coffee Table. You won't need any additional tools.

Parts List:

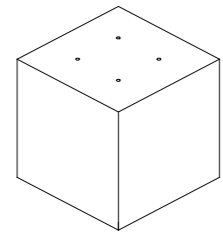
A x 1
TOP



B x 1
TEMPERED GLASS

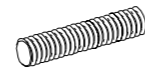


C x 1
BASE



Hardware List:

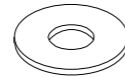
HW1 x 4
Bolt M6x75mm



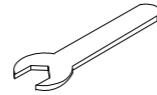
HW2 x 4
Nut M6



HW3 x 4
Washer M6x30mm



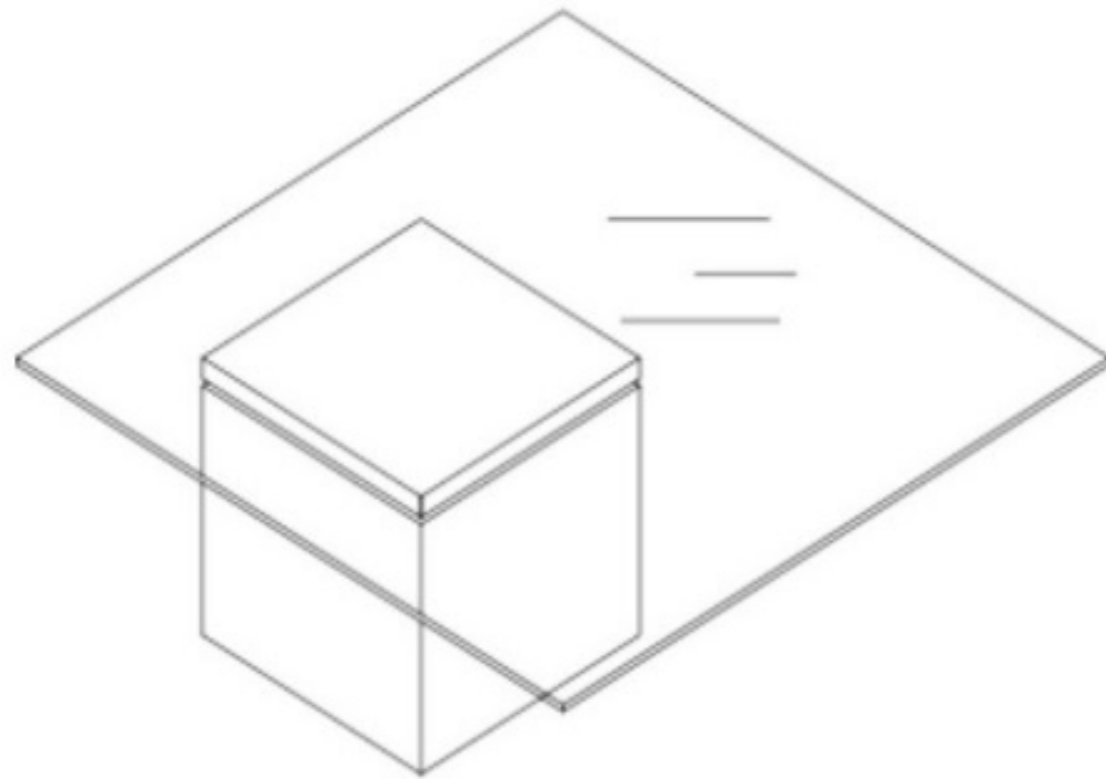
HW4 x 1
Key



Assembly completed.

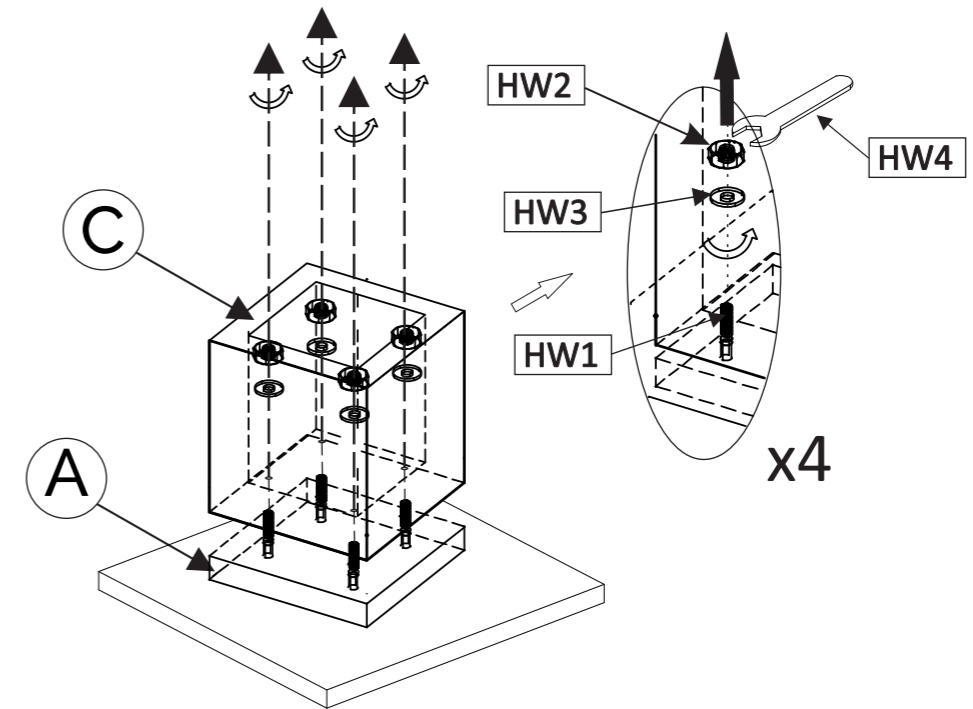
Place the table in the place where you will use it. We'd love to see it - just tag us (we're @safavieh) and use the hashtag #safavieh on Instagram!

@safavieh



1

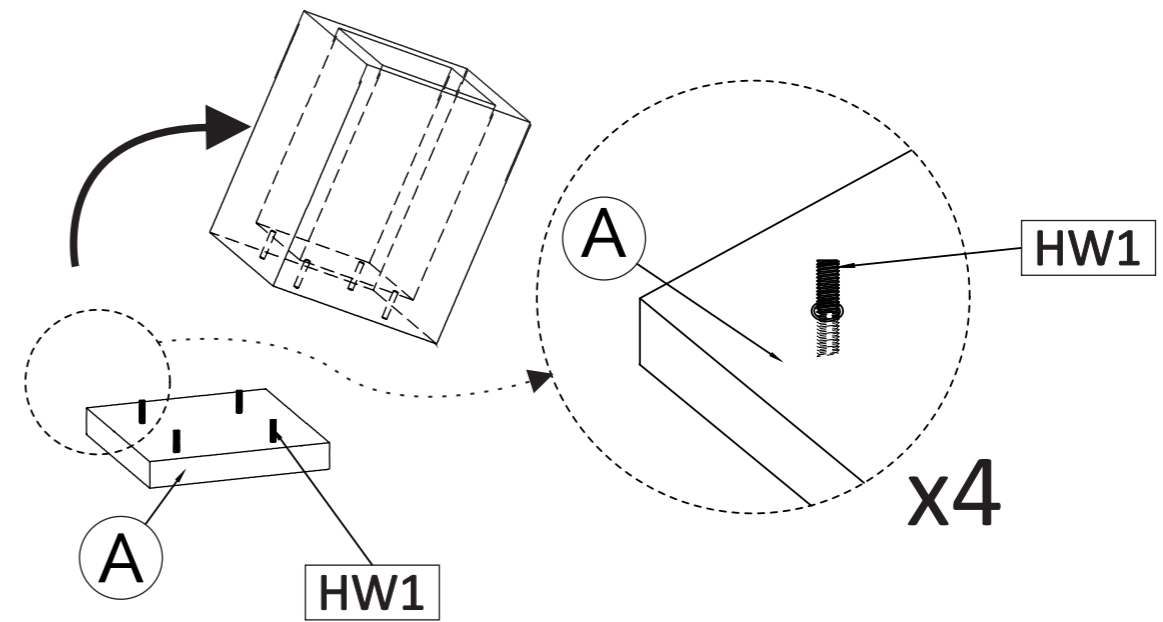
Place the table top (A) upside down on a soft surface. Remove the base (C) from the table top (A) by using the wrench (HW4) to unscrew the nuts (HW2).



Use foam in the box to protect the top when assembling the product.

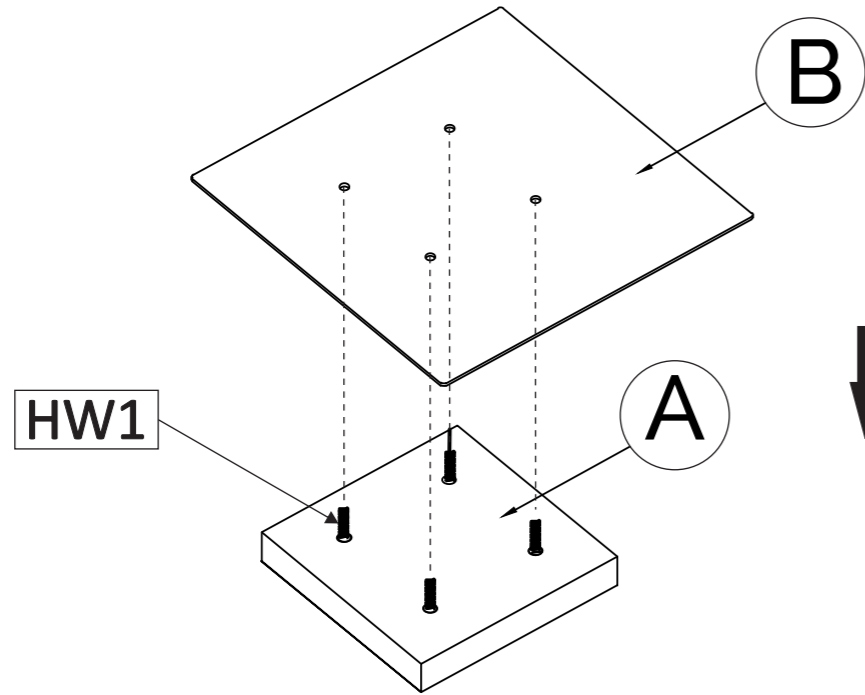
2

Take the base (C) off of the bolts (HW1).



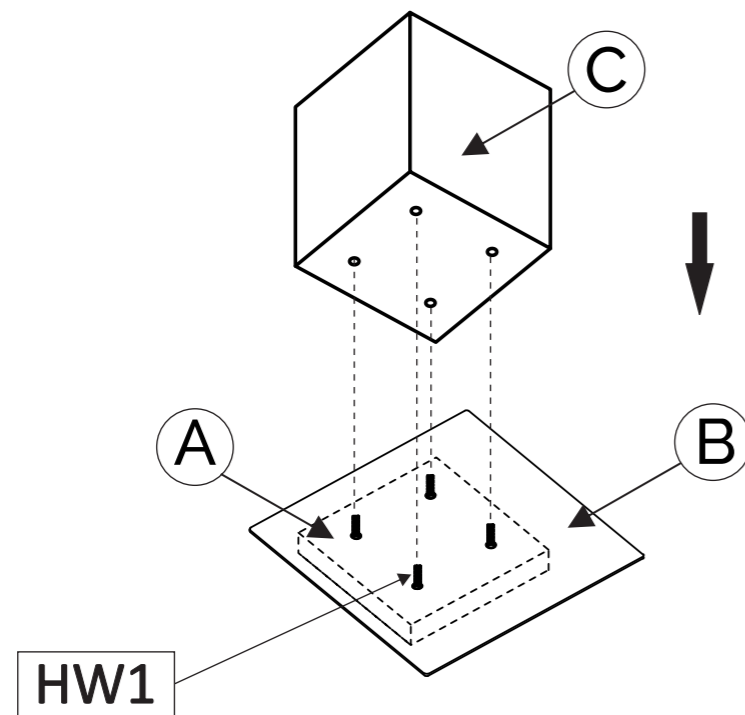
3

Place the tempered glass (B) on the bolts (HW1) as shown.



4

Place the base (C) on the bolts (HW1) as shown.



5

Place the washers (HW3) and the nuts (HW2) on the bolts (HW1) as shown. Use the wrench (HW4) to tighten the nuts (HW2).

