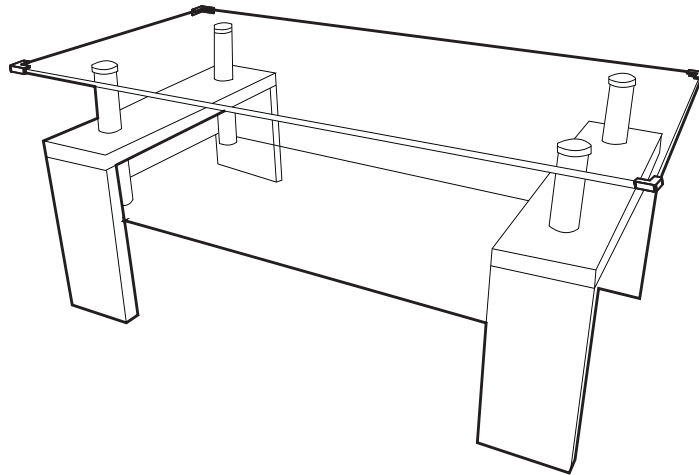


Assembly Instructions

Caution:Pls read the AI before you proceed.






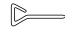



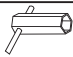





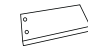


COFFEE TABLE



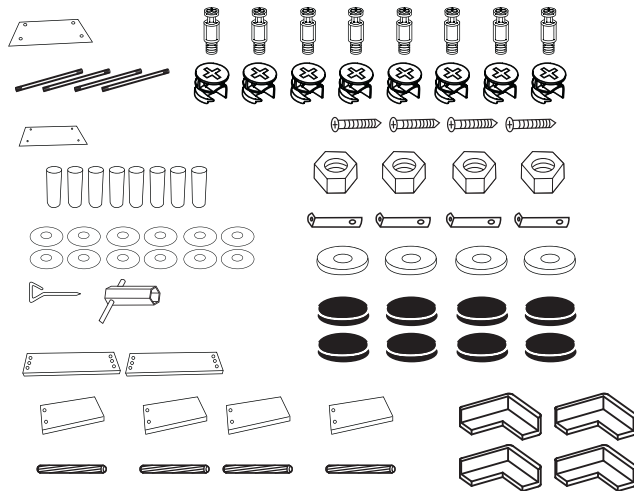
CAUTION:

Pls follow up the AI , when assemble the table leave your child away

Parts List

NO.	Picture	Description	Qty
A		Tempered glass table top	1
B	 8X240mm	Pulling rod	4
C		Tempered glass	1
D	 Φ 38X100mm	Stainless steel pipe	8
E	 M8X45mm	Gasket	12
F	 M100X33mm	Allen key	1
G	 M24X5mm	Screw	8
H	 M11X9mm	Eccentric cam lock fasteners	8
I	 M4X16mm	Screw	4
J	 M8X49mm	Box Spanner M10	1
K	 M8X15mm	Nut	4
L	 60X19mm	Connection	4
M	 Φ 19X3mm	Plastic gasket	4
N	 Φ 15X1.5mm	Feet pad	8
O		Board	2
P		Board	4
Q	 M8X30mm	Connection	4
R		Plastic protection corner	4

Assembly Preparation Before Beginning Assembly



• Read instructions, cover to cover-



• Have 2 adults on hand for assembly-



• Do not assemble on flooring or carpet-

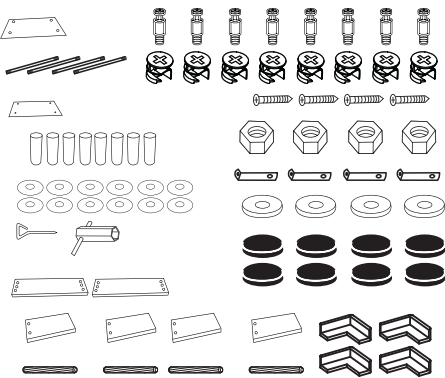


• Assemble on a clean non-marring surface (packing foam)-



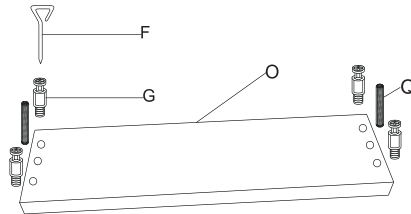
• Save all packaging until finished-

Step 1

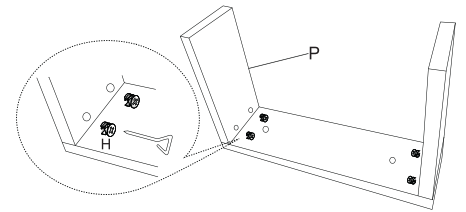


Unpack and place all parts on a clean, soft surface

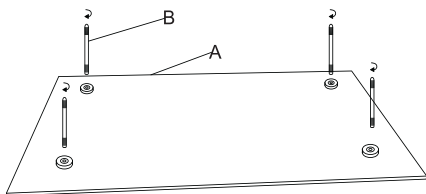
Step 2



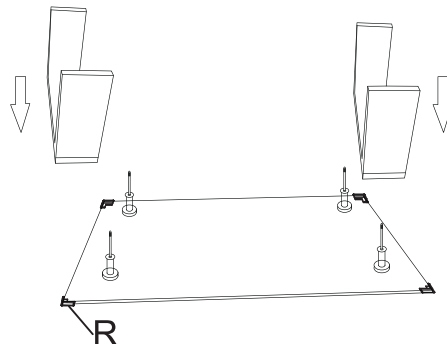
Step 3



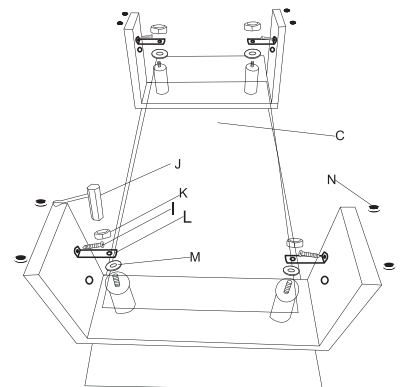
Step 4



Step 6



Step 7



Step 5

