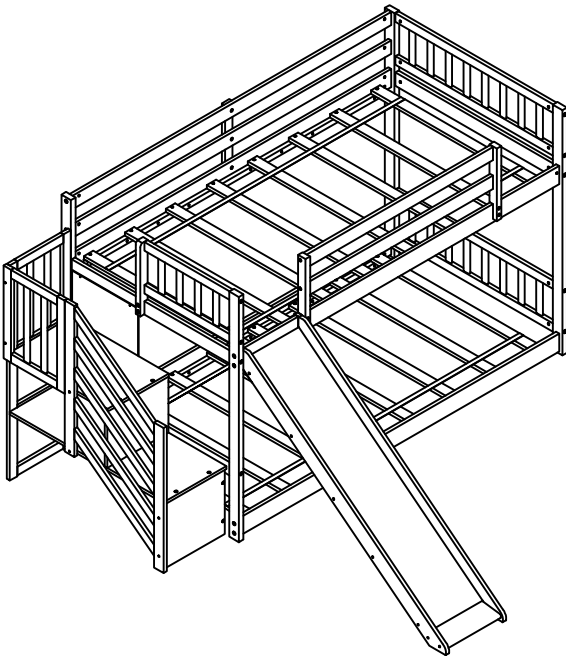
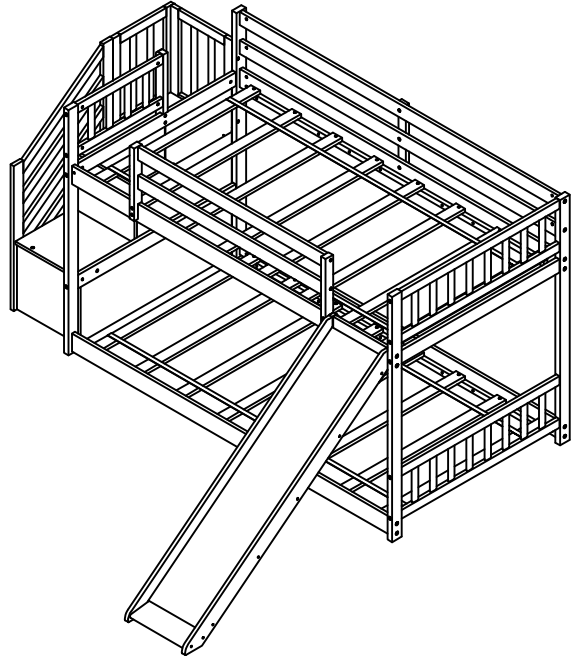


# ASSEMBLY INSTRUCTIONS

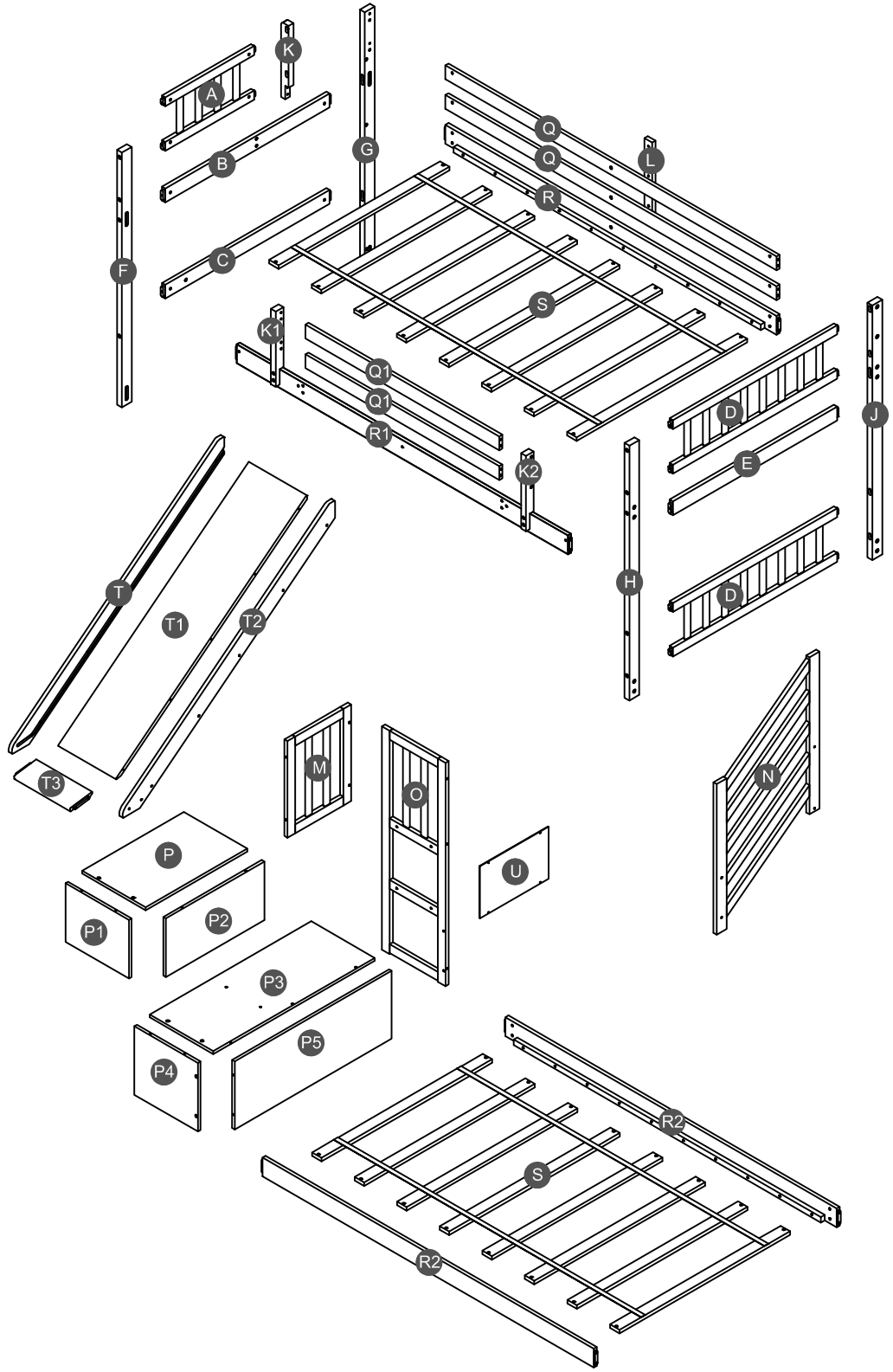
## BUNK BED WITH SLIDE



OR

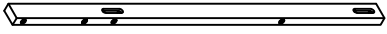
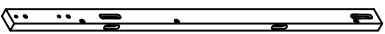
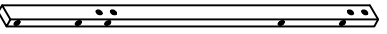
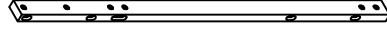

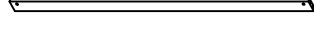

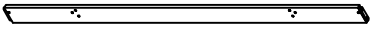

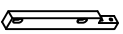




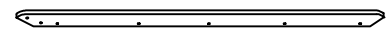
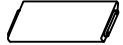


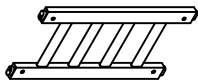
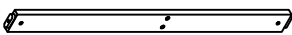
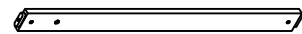
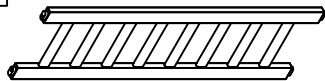
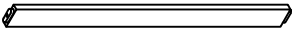
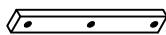
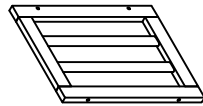
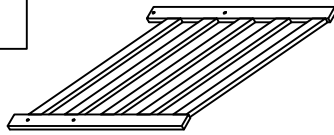
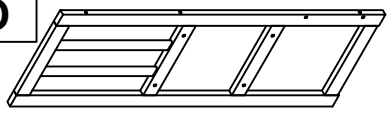

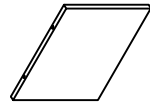

# Detail View



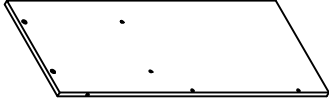
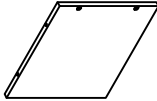

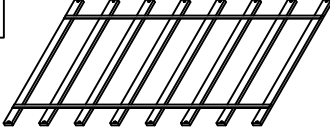

# Part List

## Hardware

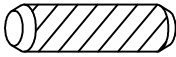
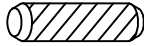

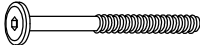
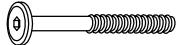





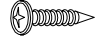
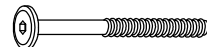


<b>F</b>  Leg FB (Front) - 1pc	<b>G</b>  Leg FB (Back) - 1pc	<b>H</b>  Leg HB (Front) - 1pc
<b>J</b>  Leg HB (Back) - 1pc	<b>Q</b>  Long guard rail (Back) - 2pcs	<b>Q1</b>  Short guard rail (Front) - 2pcs
<b>R</b>  Upper side rail (back) - 1pc	<b>R1</b>  Upper side rail (Front)-1pc	<b>R2</b>  Lower side rail-2pcs
<b>K</b>  Support guard rail - 1pc	<b>K1</b>  Left support guard rail - 1pc	<b>K2</b>  Right support guard rail - 1pc
<b>T</b>  Left side slide - 1pc	<b>T1</b>  Slide panel - 1pc	<b>T2</b>  Right side slide - 1pc
<b>T3</b>  Slide base support - 1pc		

<b>A</b>  Upper FB - 1pc	<b>B</b>  Upper horizontal FB- 1pc	<b>C</b>  Lower horizontal FB- 1pc
<b>D</b>  Upper / Lower HB - 2pcs	<b>E</b>  Horizontal HB- 1pc	<b>L</b>  Vertical guard rail - 1pc
<b>M</b>  Upper guard side - 1pc	<b>N</b>  Guard side - 1pc	<b>O</b>  Frame guard back - 1pc
<b>P</b>  Upper step ladder panel - 1pc	<b>P1</b>  Upper front panel - 1pc	<b>P2</b>  Upper side panel - 1pc

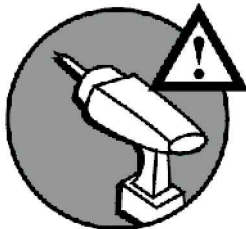
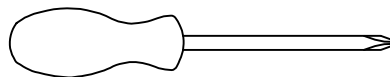
# Part List

<b>P3</b>  Lower step ladder panel - 1pc	<b>P4</b>  Lower front panel - 1pc	<b>P5</b>  Lower side panel - 1pc
<b>S</b>  Slats - 2sets (8pcs/set)	<b>U</b>  Panel (FB)- 1pc	

# Hardware List

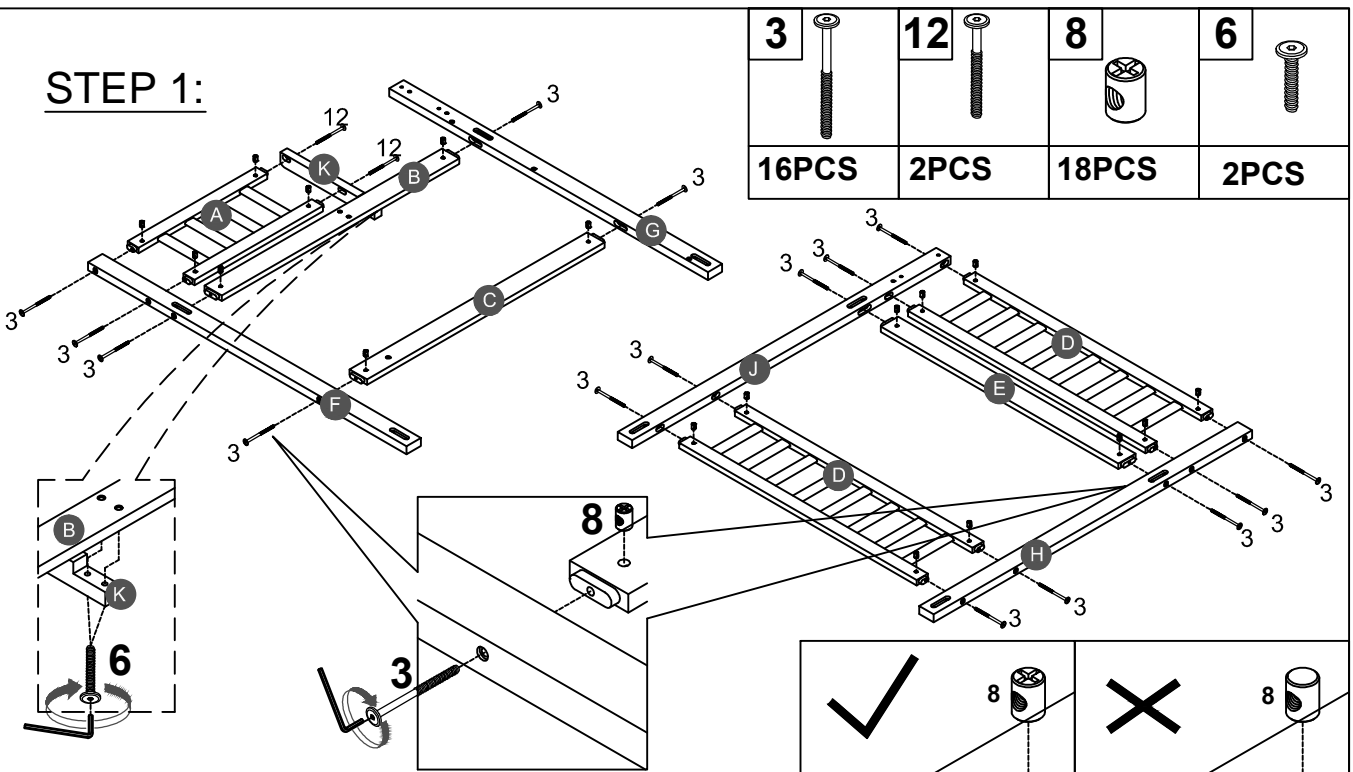
<b>1</b>  Ø10*40mm Wood dowel (8pcs)	<b>2</b>  Ø8*30mm Wood dowel (4pcs)	<b>3</b>  (Ø15)1/4"*100mm Hex-Head bolts (16pcs)
<b>4</b>  (Ø15)1/4"*80mm Hex-Head bolts (24pcs)	<b>5</b>  (Ø12)1/4"*60mm Hex-Head bolts (26pcs)	<b>6</b>  (Ø12)1/4"*35mm Hex-Head bolts (8pcs)
<b>7</b>  (Ø12)1/4"*30mm Hex-Head bolts (3pcs)	<b>8</b>  1/4"*15 (9.5mm) Horizontal-Hole bolts(66pcs)	<b>9</b>  (1/4")4.5*58mm Allen key (1pc)
<b>10</b>  Ø4*30mm Wood screws (36pcs)	<b>11</b>  Ø3.5*15mm Wood screws (4pcs)	<b>12</b>  (Ø12)1/4"*70mm Hex-Head bolts (2pcs)
<b>13</b>  (Ø12)1/4"*50mm Hex-Head bolts (14pcs)	<b>14</b>  142*18*2mm Hooks (2pcs)	

## ASSEMBLY TOOLS REQUIRED ( NOT INCLUDED )

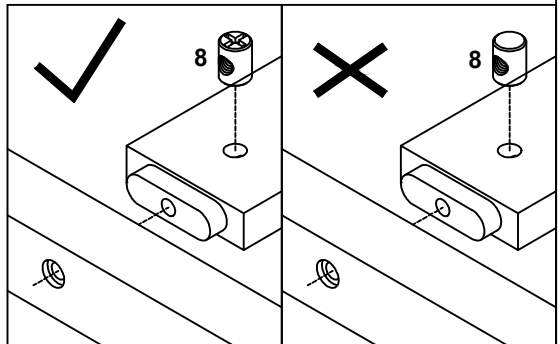


PLEASE BE CAREFUL DO NOT DAMAGE THE HOLE POSITION WHEN YOU USE POWER TOOLS !

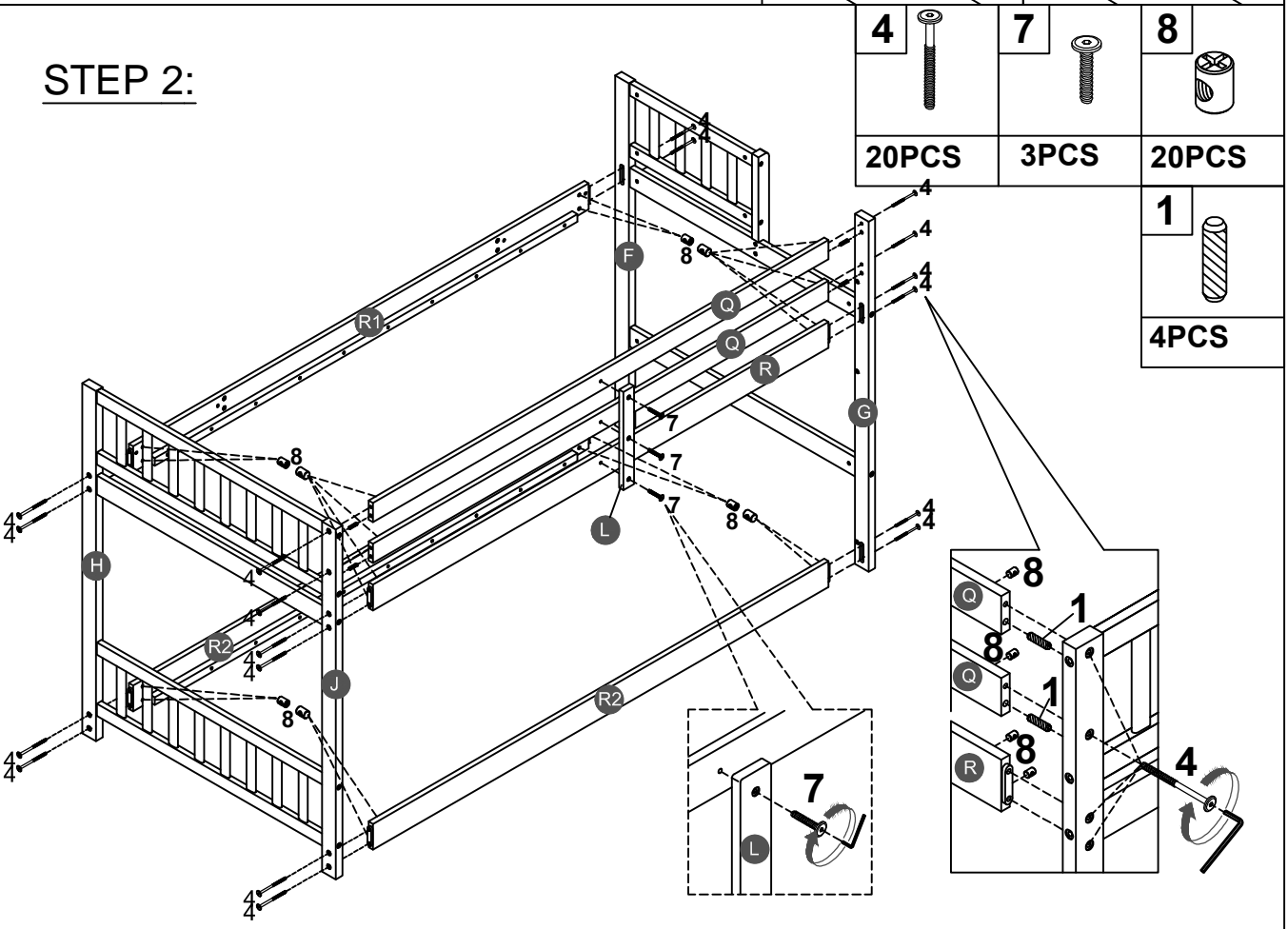
### STEP 1:



Note: Part 8 will face up with the "x" mark on it, otherwise it cannot be tightened

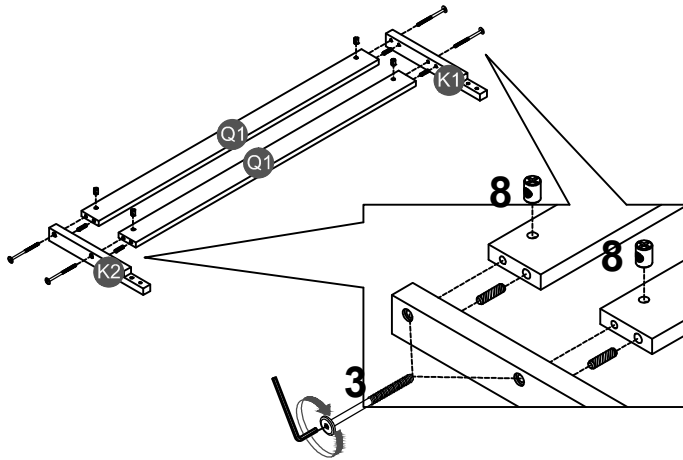


### STEP 2:

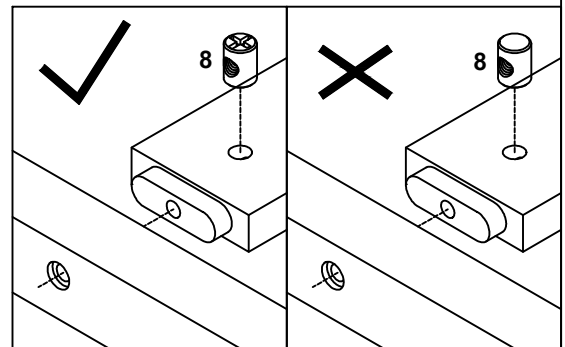


### STEP 3:

<b>1</b> 	<b>4</b> 	<b>8</b> 
<b>4PCS</b>	<b>4PCS</b>	<b>4PCS</b>

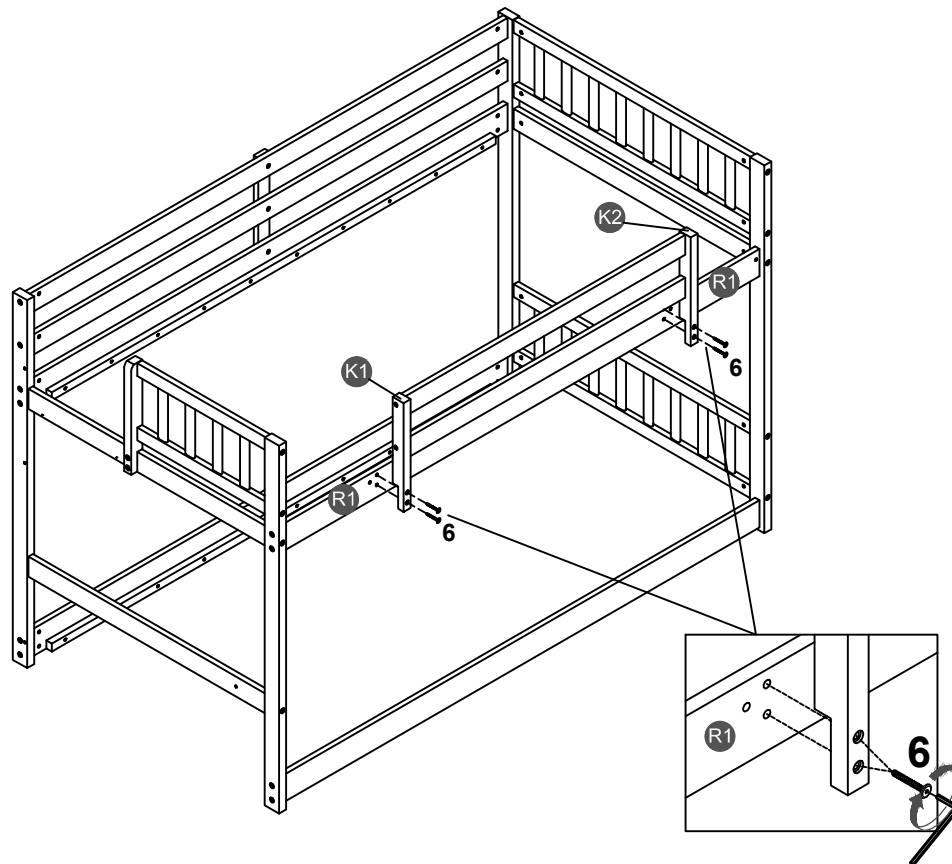


Note: Part 8 will face up with the "x" mark on it, otherwise it cannot be tightened






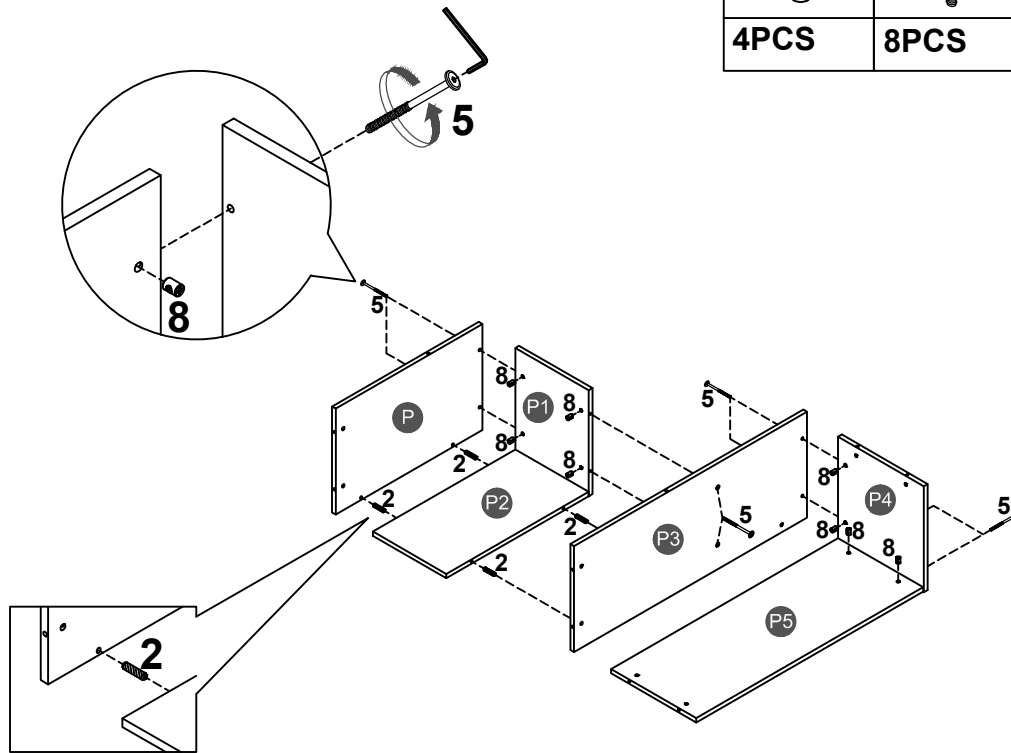
### STEP 4:

<b>6</b> 
<b>4PCS</b>






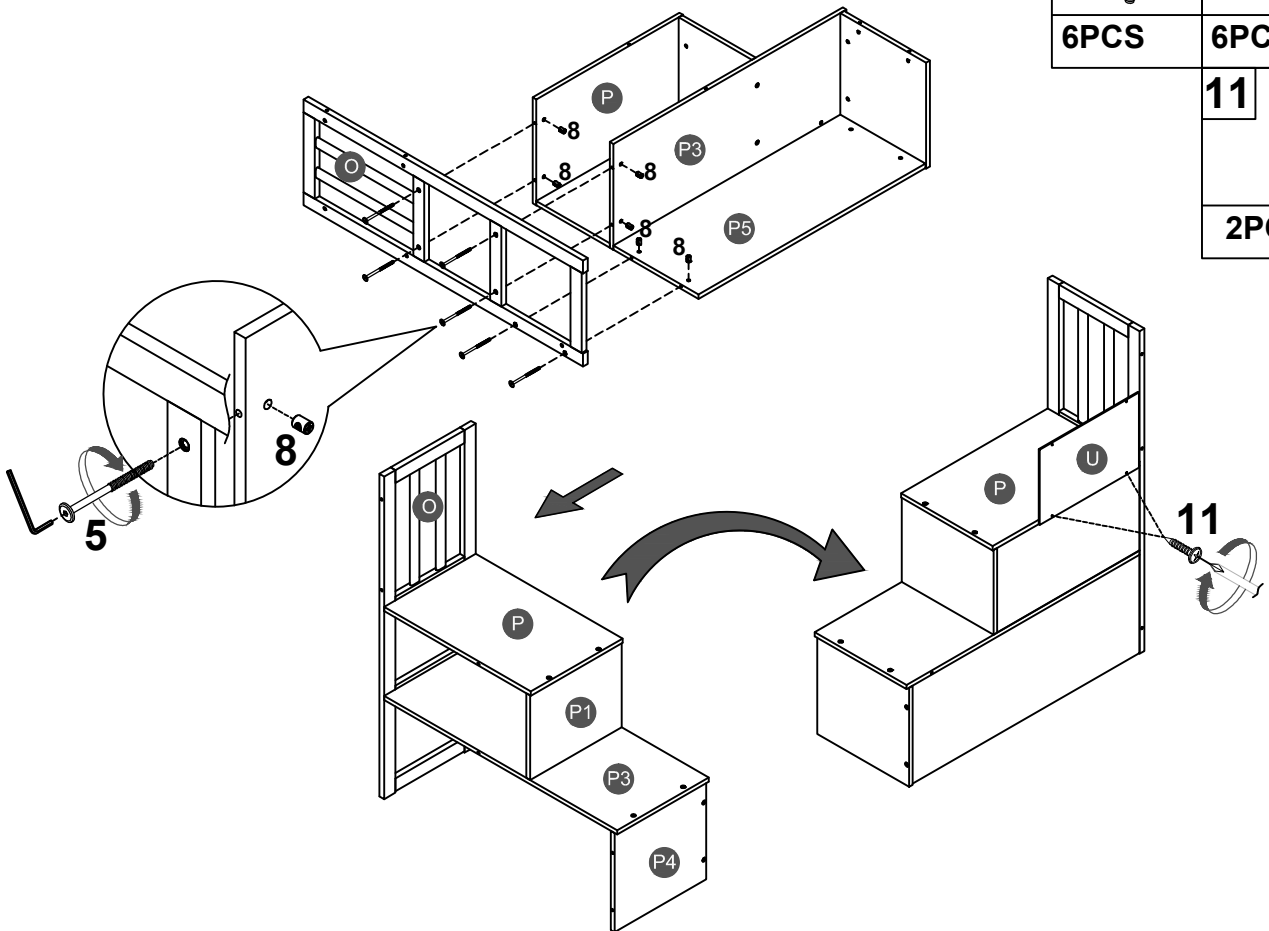
**STEP 3:**

<b>2</b>		<b>5</b>		<b>8</b>	
<b>4PCS</b>		<b>8PCS</b>		<b>8PCS</b>	

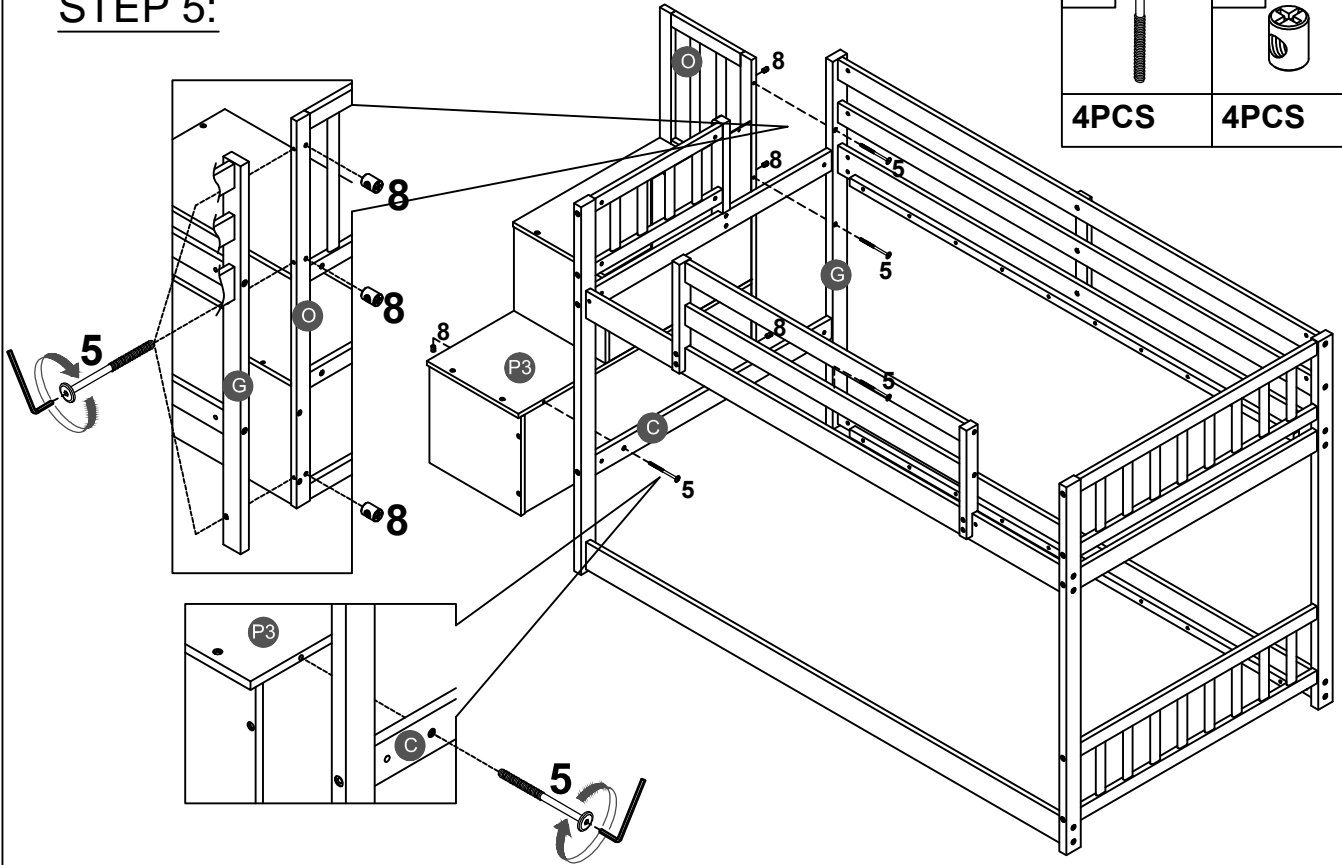




**STEP 4:**

<b>5</b>		<b>8</b>	
<b>6PCS</b>		<b>6PCS</b>	
		<b>11</b>	
		<b>2PCS</b>	

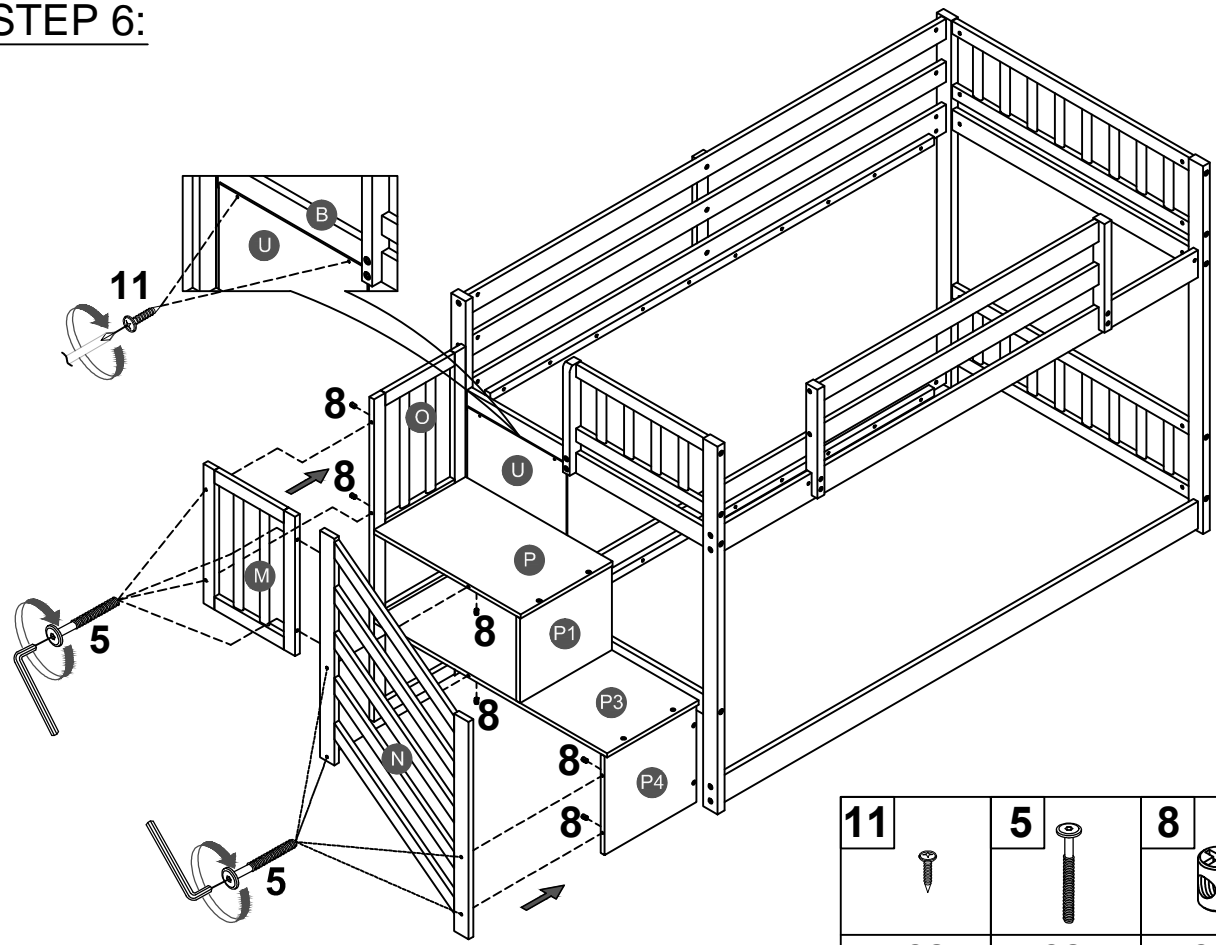





**STEP 5:**



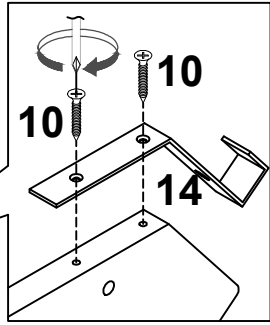
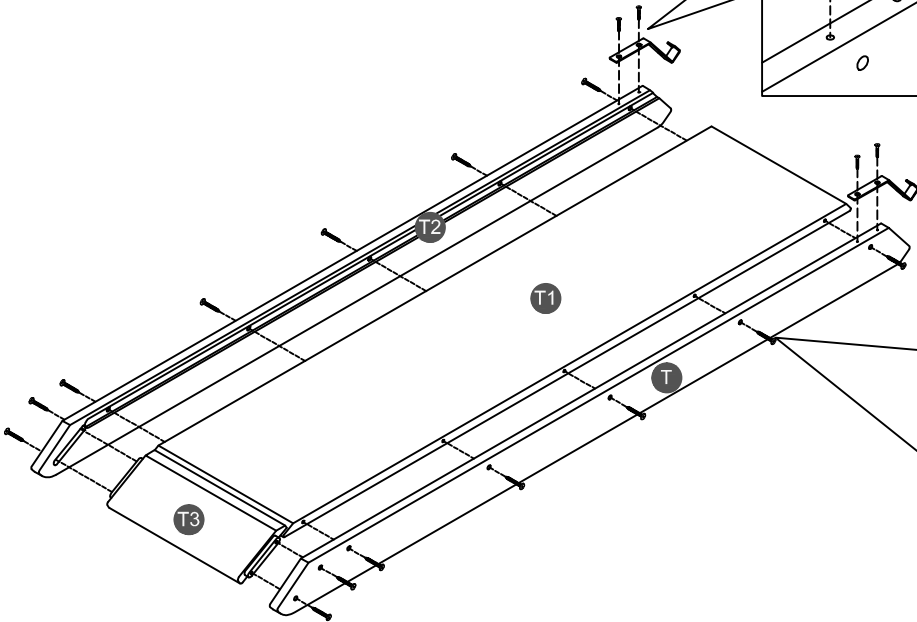
<b>5</b>		<b>8</b>	
<b>4PCS</b>		<b>4PCS</b>	




**STEP 6:**

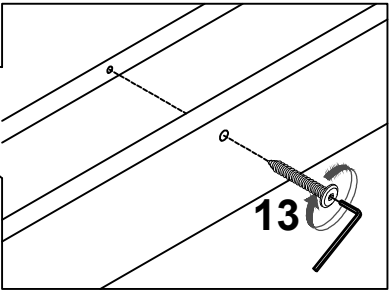


<b>11</b>		<b>5</b>		<b>8</b>	
<b>2PCS</b>		<b>8PCS</b>		<b>6PCS</b>	

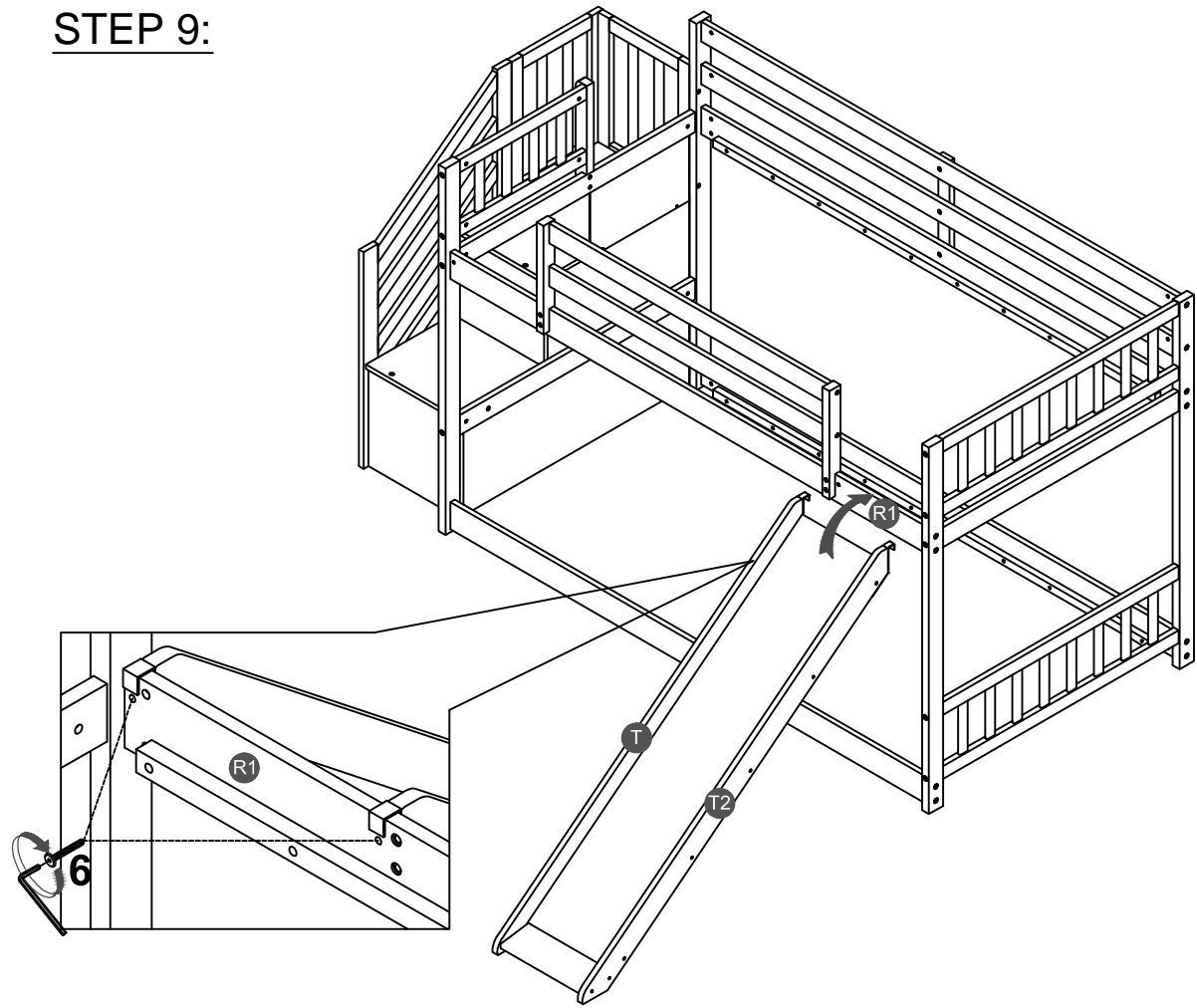
**STEP 8:**




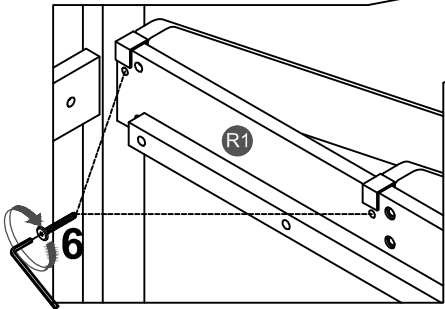
<b>13</b> 	<b>10</b> 
<b>14PCS</b>	<b>4PCS</b>
<b>14</b> 	
<b>2PCS</b>	




**STEP 9:**

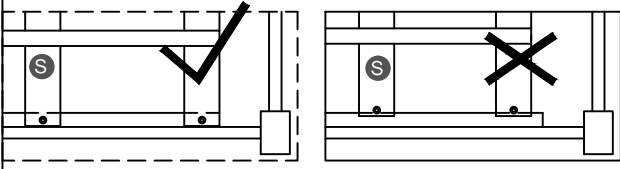
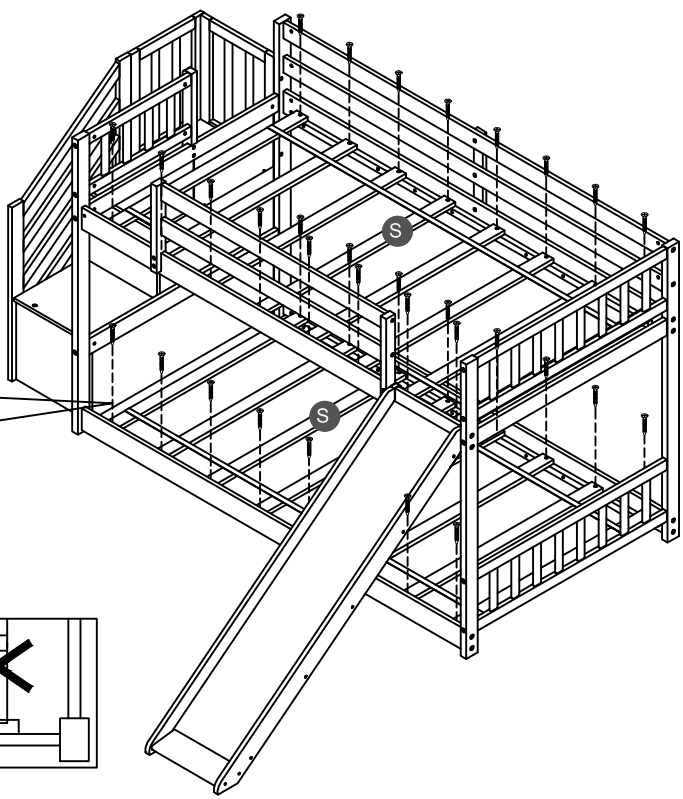
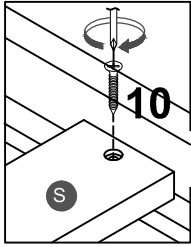


<b>6</b> 
<b>2PCS</b>



**STEP 8:**

**10**  
  
**32PCS**



Note: Do not lock the screws of the bed slats to the outermost edge of the bed slats, you need to leave a certain space at the edges, otherwise it will cause the board to break

