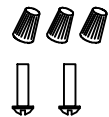
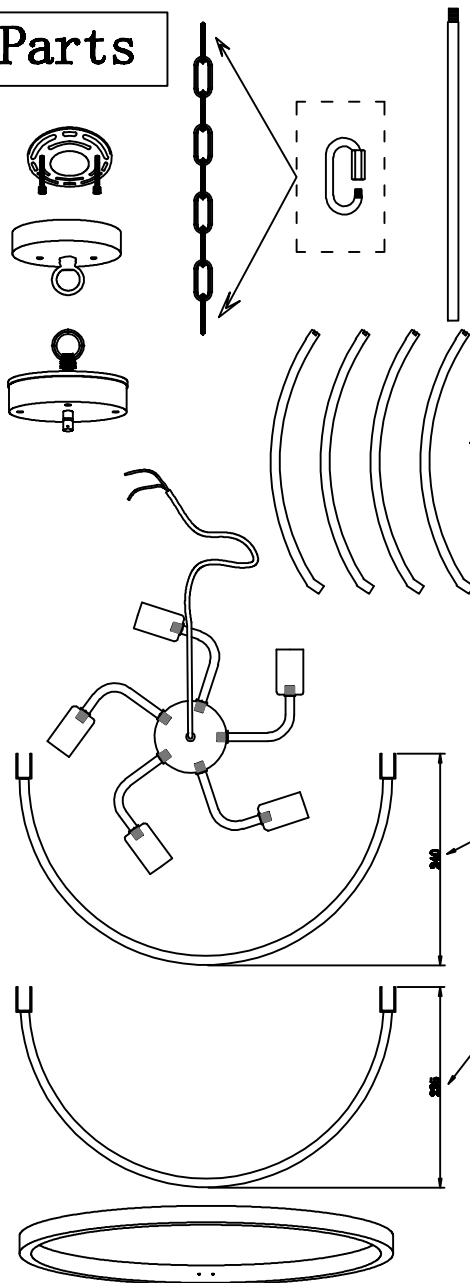


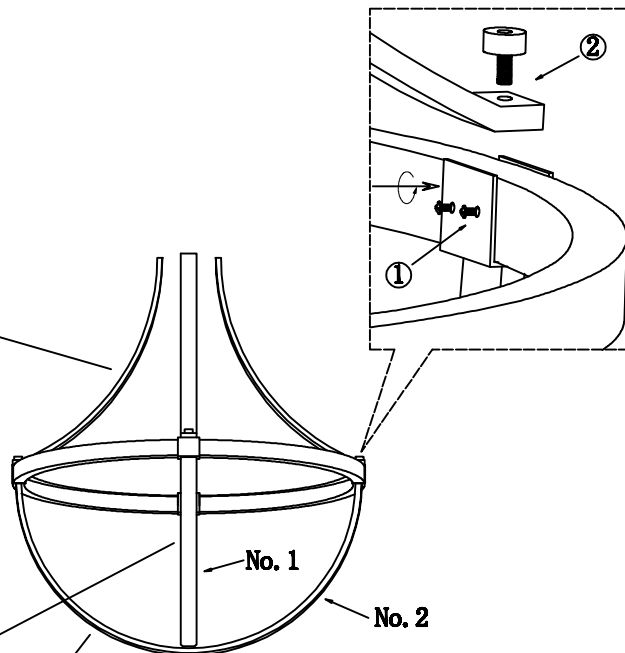
Parts



4*8 8PCS

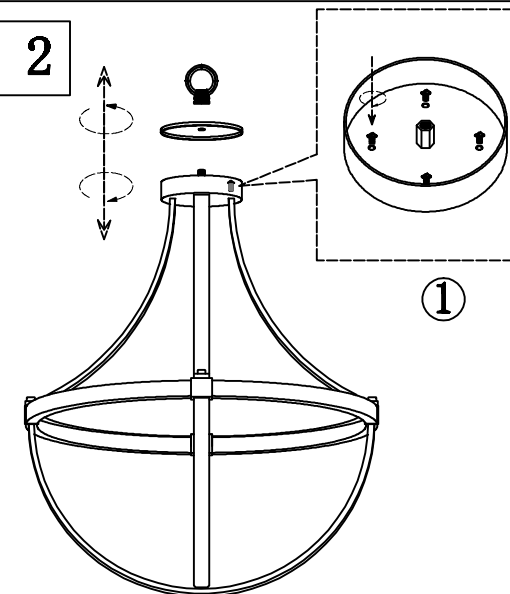
4PCS

Steps 1



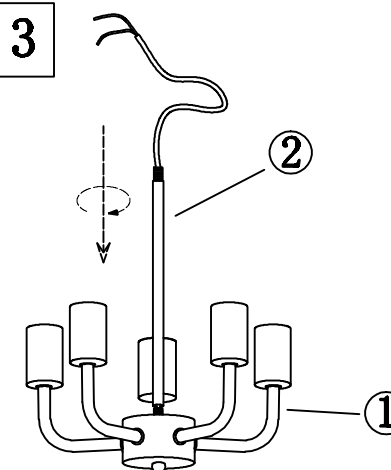
1. Assemble the two semicircular hardware and the circular hardware circle as shown in the figure (first install the No. 1 part, and then install the No. 2.)
2. As shown in the figure, install the four hardware accessories on the lamp body with flat nuts.

Steps 2



1. Remove the hanging ring and cover as shown in the picture, install the lamp on the hardware frame and tighten it with screws, and finally install the cover and hanging ring.

Steps 3



1. Rotate the 5 head tubes 90 degrees clockwise as shown in the figure.
2. Install the tube on the lamp body