

H76.2 W246.4D101.6(CM)  
H30 W97 D40 (INCH)

**Please read the instructions and warnings carefully before use to ensure safe and satisfactory operation of this product.**

---

This product is **HEAVY**, please unwrap your piece carefully, ensuring it is as close as possible to point of use. **Take care when lifting** to avoid personal injury and (or) damage to the product.

#### **Care and Maintenance for Wood**

We recommend dusting surfaces with a clean, soft, dry or slightly damp cloth.

Always clean the surface by rubbing in the direction of the grain.

We recommend polishing your furniture twice a year with a non-silicone cleaning agents or polish to clean the surfaces of this product.

Waxes should be avoided because their regular use may result in a build-up of wax film on the surface of the furniture.

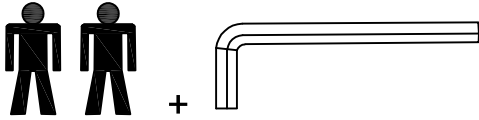
Remove liquid spills promptly.

Be sure to use pads under hot or very cold dishes, beverages, vases, etc. to protect the furniture surface.

Please note long periods of heat or excessive dampness can cause splitting, warping and swelling in solid wood.

Keep away from direct sunlight.

# Necessary Tools

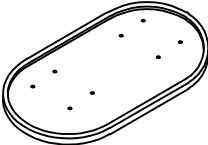

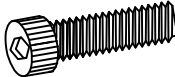
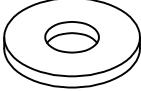
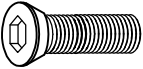
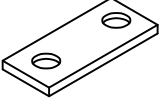

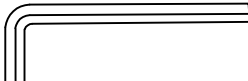


Please check assembly pack before attempting to assemble this product. A full checklist for components provided is given in this leaflet.

The fitting pack contains **SMALL ITEMS** which should be **KEPT AWAY FROM YOUNG CHILDREN**.

You will require Allen Key to assemble this product. The Allen key is provided in the Assembly Pack.

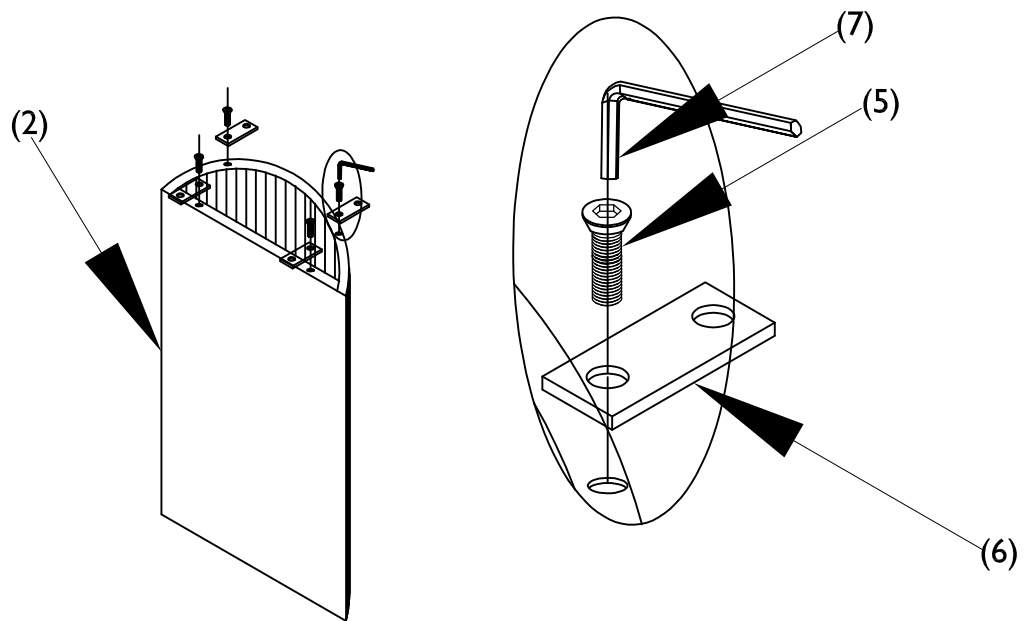
The following list of components and hardware are required for assembly.

SNO	PICTURE	NAME	QTY
1		TOP	1
2		LEG	2
3		SOCKET HEAD ALLEN BOLT (8X25)	8
4		WASHER (8X20)	8
5		CSK ALLEN BOLT (6X16)	8
6		METAL PLAT-80X40X5 MM	8
7		ALLEN KEY (4 MM)	1
8		ALLEN KEY (6 MM)	1

# Assembly Instructions

## STEP-1:

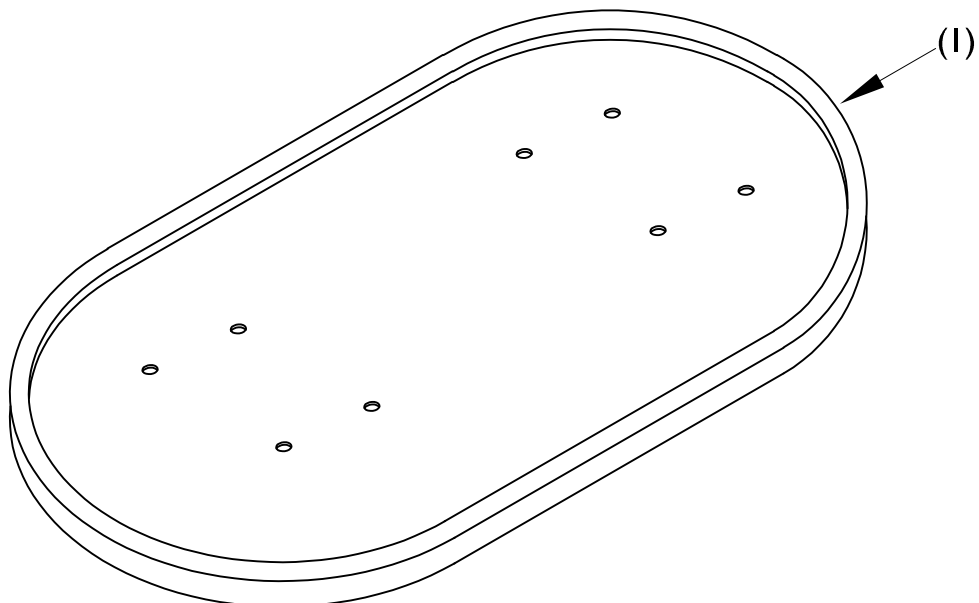
keep the leg upside down on clean and soft surface to prevent it from scratching.



**FIGURE 1**

## STEP-2:

Now take the leg and insert it into the slot provided in the table top as shown in figure 2.



**FIGURE 2**

# Assembly Instructions

## STEP-3:

keep the leg upside down on clean and soft surface to prevent it from scratching.

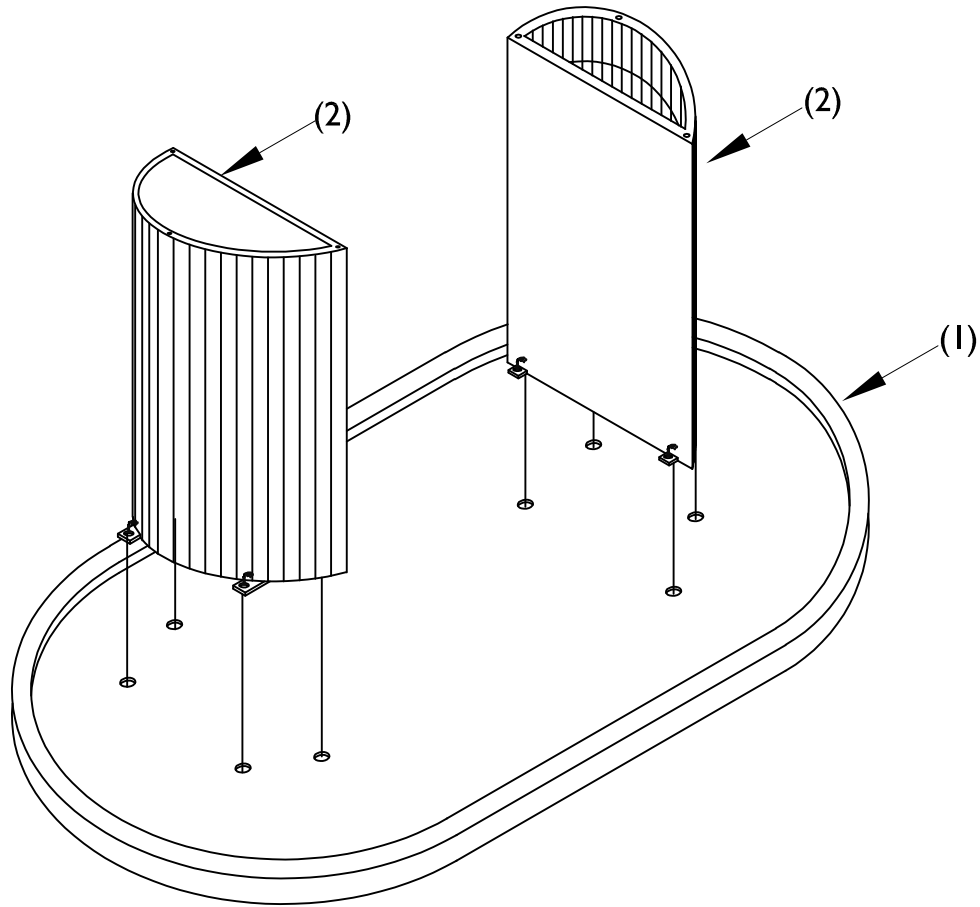


FIGURE 3

## STEP-4:

keep the table top upside down on clean and soft surface to prevent it from scratching.

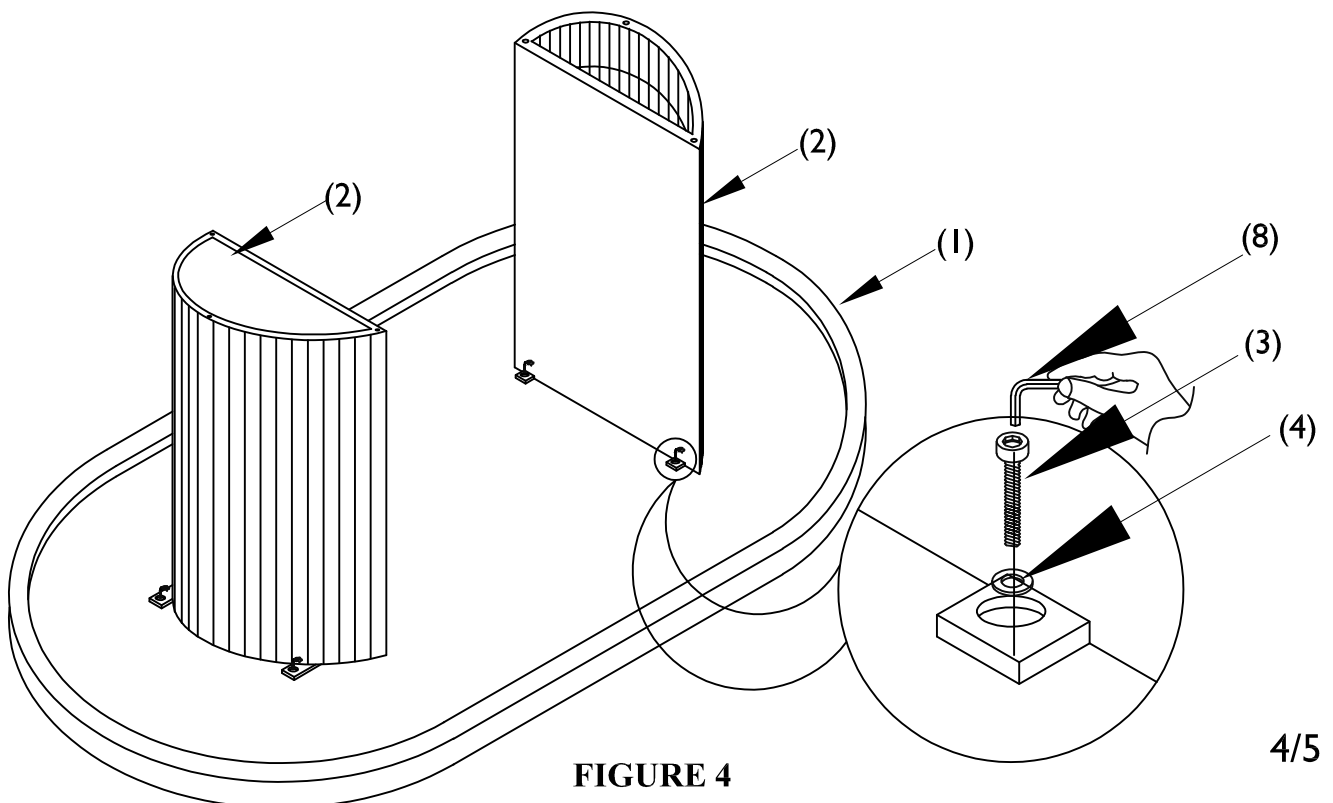


FIGURE 4

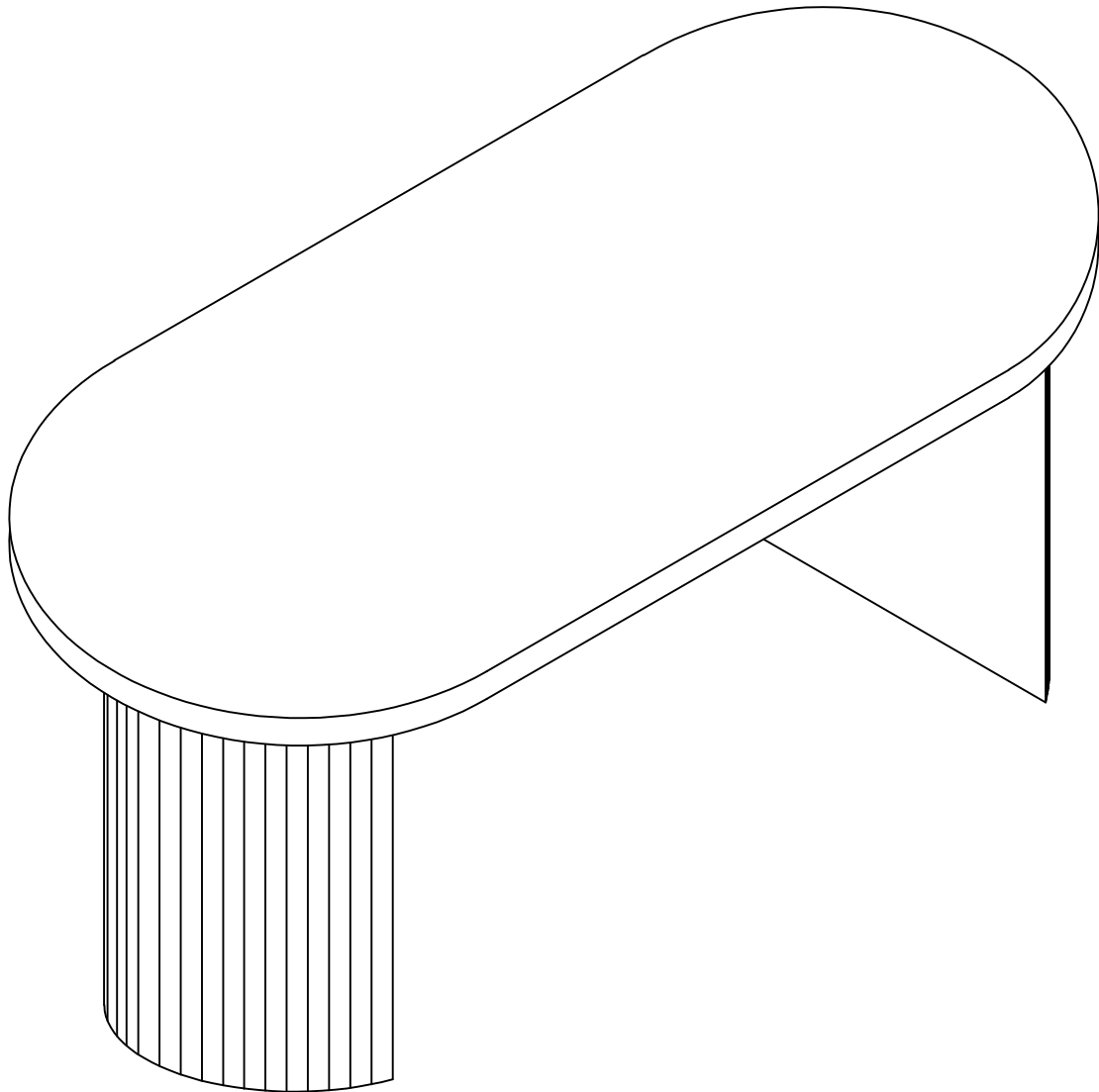
---

## Assembly Instructions

---

STEP-5:

keep the table top upside down on clean and soft surface to prevent it from scratching.



**FIGURE 5**