

# ASSEMBLY INSTRUCTIONS



*Fine Furniture for every stage of life*

***Full Storage Bed***

# ASSEMBLY INSTRUCTIONS

## ASSEMBLY TIPS:

1. Remove hardware from box and sort by size.
2. Please check to see that all hardware and parts are present prior to start of assembly.
3. Please follow attached instructions in the same sequence as numbered to assure fast & easy assembly.



### WARNING!

1. Don't attempt to repair or modify parts that are broken or defective. Please contact the store immediately.
2. This product is for home use only and not intended for commercial establishments.

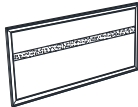
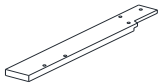
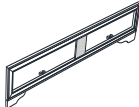
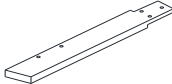


ASSEMBLY TIME

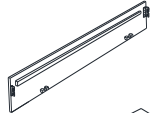


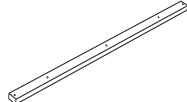
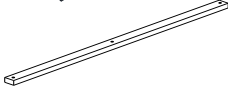

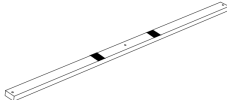

20 MINUTES

## PARTS IDENTIFICATION

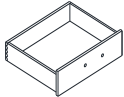

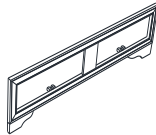
### B1 ( BOX 1 )

A	HEADBOARD PANEL		1PC	C	RIGHT HEADBOARD LEG		1PC
B	FOOTBOARD		1PC	D	LEFT HEADBOARD LEG		1PC

### B2 ( BOX 2 )

E	BED RAIL		2PCS	H	BED SLAT SUPPORT WITH LEVELER		5PCS
F	CONCEAL PANEL		4PCS	I	DRAWER BOTTOM TRESTLE BAR		1PC
G	BED SLAT		3PCS	J	DRAWER SUPPORT RAIL		2PCS
G2	BED SLAT WITH STOPPER		2PCS	K	DRAWER SUPPORT LEG WITH LEVELER		1PC

### B3 ( BOX 3 )

L	DRAWER BOX		2PCS	HB	(B1) FROM BOX 1 HEADBOARD COMPLETE		1PC	B	(B1) FROM BOX 1 FOOTBOARD		1PC
---	------------	---	------	----	---	---	-----	---	---------------------------------	---	-----

# ASSEMBLY INSTRUCTIONS

## ASSEMBLY TIPS:

1. Remove hardware from box and sort by size.
2. Please check to see that all hardware and parts are present prior to start of assembly.
3. Please follow attached instructions in the same sequence as numbered to assure fast & easy assembly.







### WARNING!





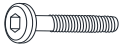

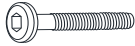

1. Don't attempt to repair or modify parts that are broken or defective. Please contact the store immediately.
2. This product is for home use only and not intended for commercial establishments.

## HARDWARE IDENTIFICATION

### Z-B1 (BOX 1) - HARDWARE PACK IS LOCATED IN (B1)

1	<b>BOLT</b> (M6 x 30mm - BLK)		6PCS	3	<b>FLAT WASHER</b> (1/4" ID x 13mm - BLK)		6PCS
2	<b>LOCK WASHER</b> (1/4" - BLK)		6PCS	4	<b>ALLEN WRENCH</b> (M4 x 60mm - BLK)		1PC

### Z-B2 (BOX 2) - HARDWARE PACK IS LOCATED IN (B2)

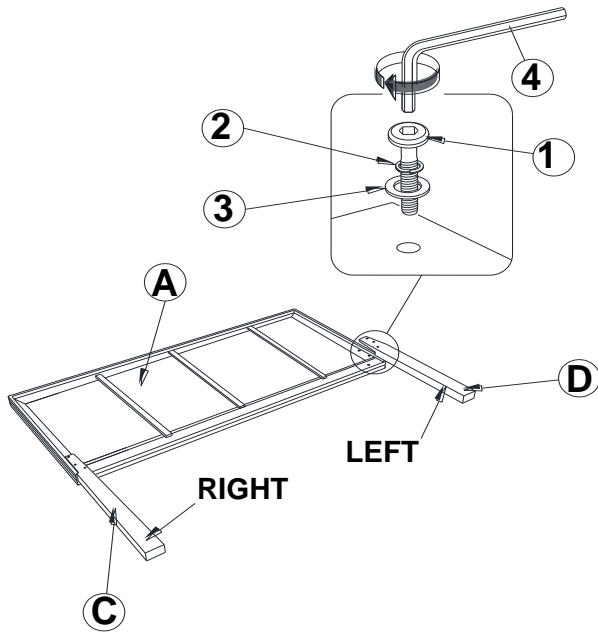
5	<b>FLAT HEAD SCREW</b> (M4 x 32mm - RBW)		14PCS	9	<b>LOCK WASHER</b> (1/4" - BLK)		2PCS
6	<b>PAN HEAD SCREW</b> (M3.5 x 20mm - BLK)		20PCS	10	<b>FLAT WASHER</b> (1/4" ID x 13mm - BLK)		2PCS
7	<b>SHORT BOLT</b> (M6 x 35mm - BLK)		2PCS	11	<b>SMALL ALLEN WRENCH</b> (M4 x 60mm - BLK)		1PC
8	<b>LONG BOLT</b> (M6 x 50mm - BLK)		6PCS	12	<b>BIG ALLEN WRENCH</b> (M5 x 65mm - BLK)		1PC

### NOTE:

Phillips head screw driver is required in the assembly process; however, manufacturer does not provide this item.

# ASSEMBLY INSTRUCTIONS

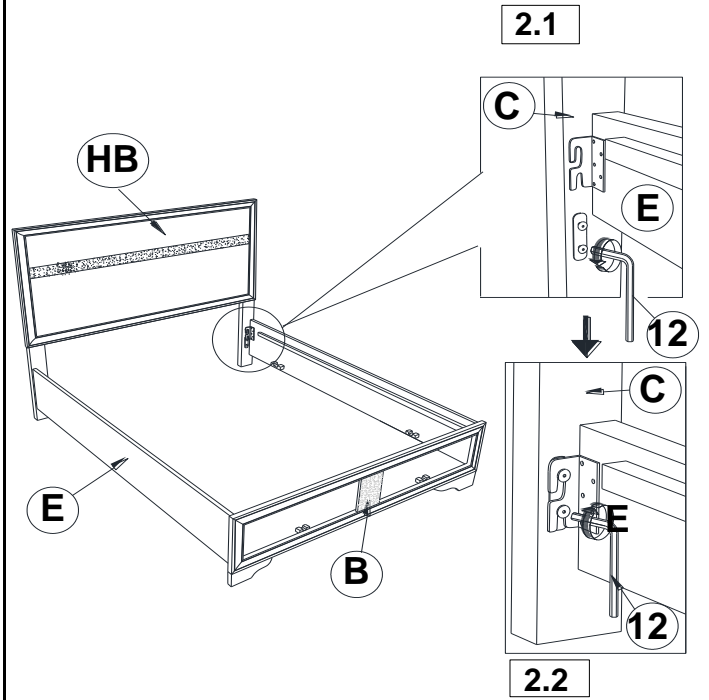
## STEP 1



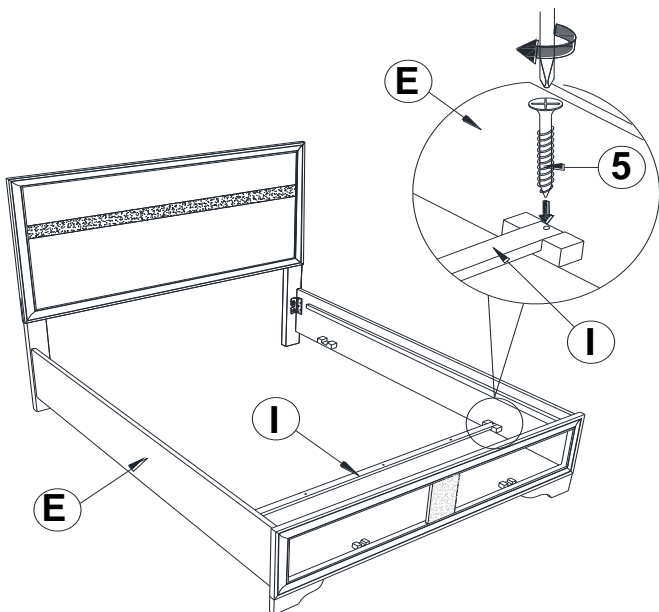
**\*\*BACK VIEW\*\***

Note : Please take note of the marking sticker (L&R) on the leg.

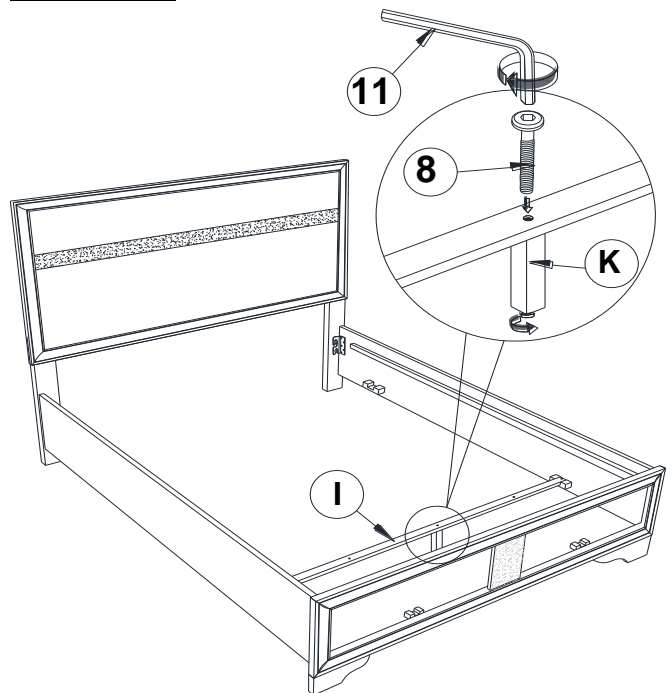
## STEP 2



## STEP 3

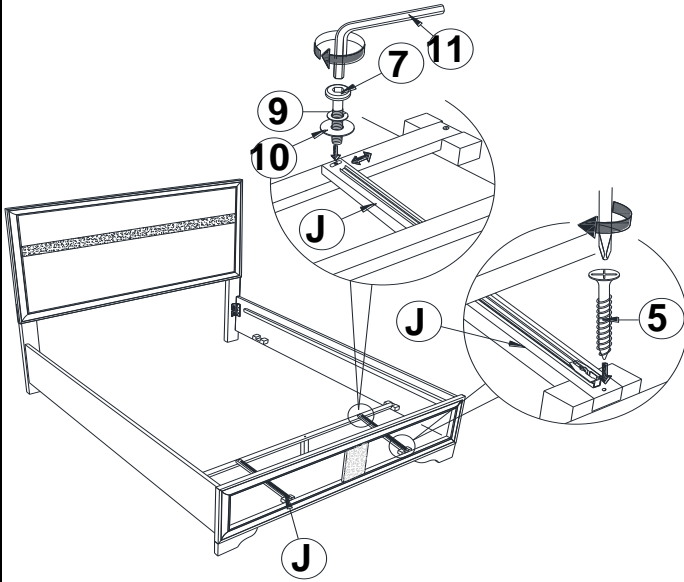


## STEP 4

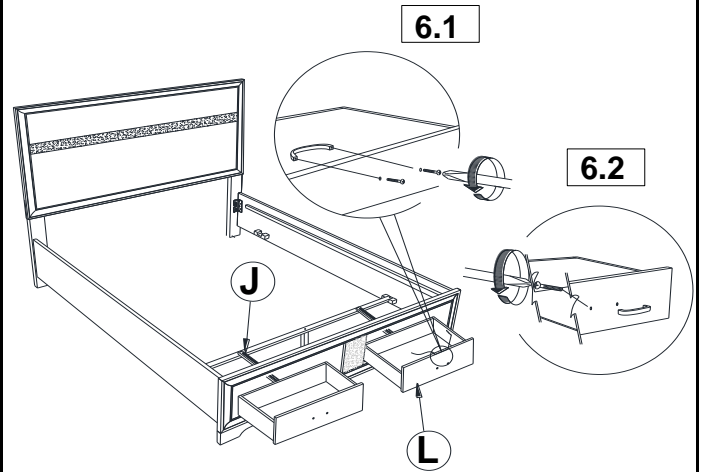


# ASSEMBLY INSTRUCTIONS

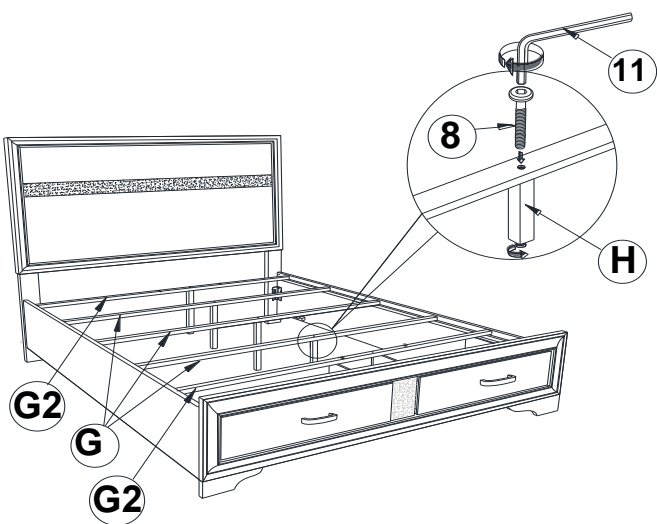
## STEP 5



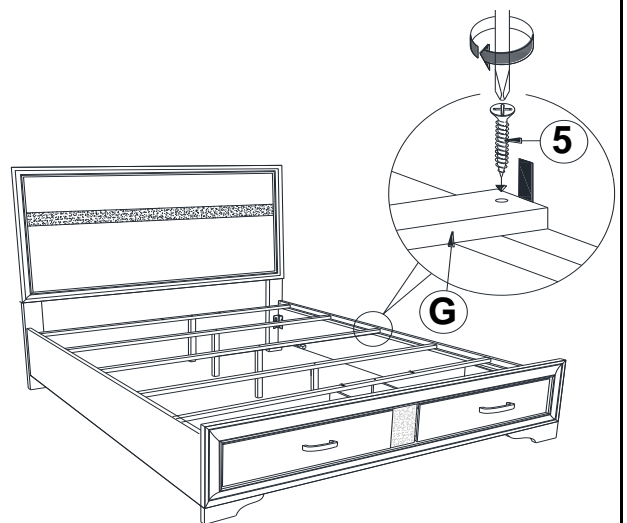
## STEP 6



## STEP 7

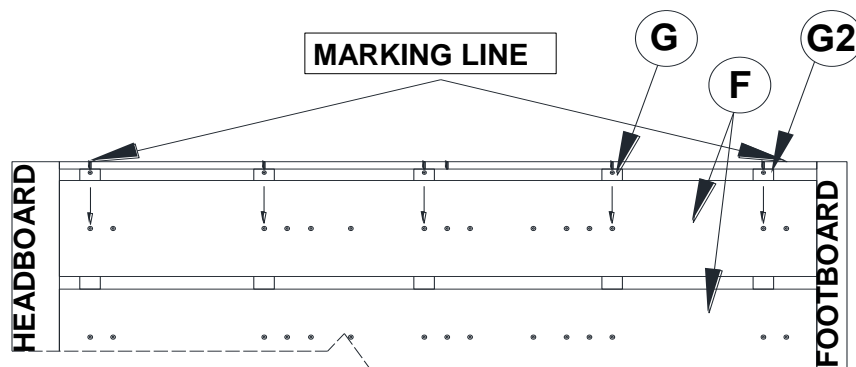


## STEP 8

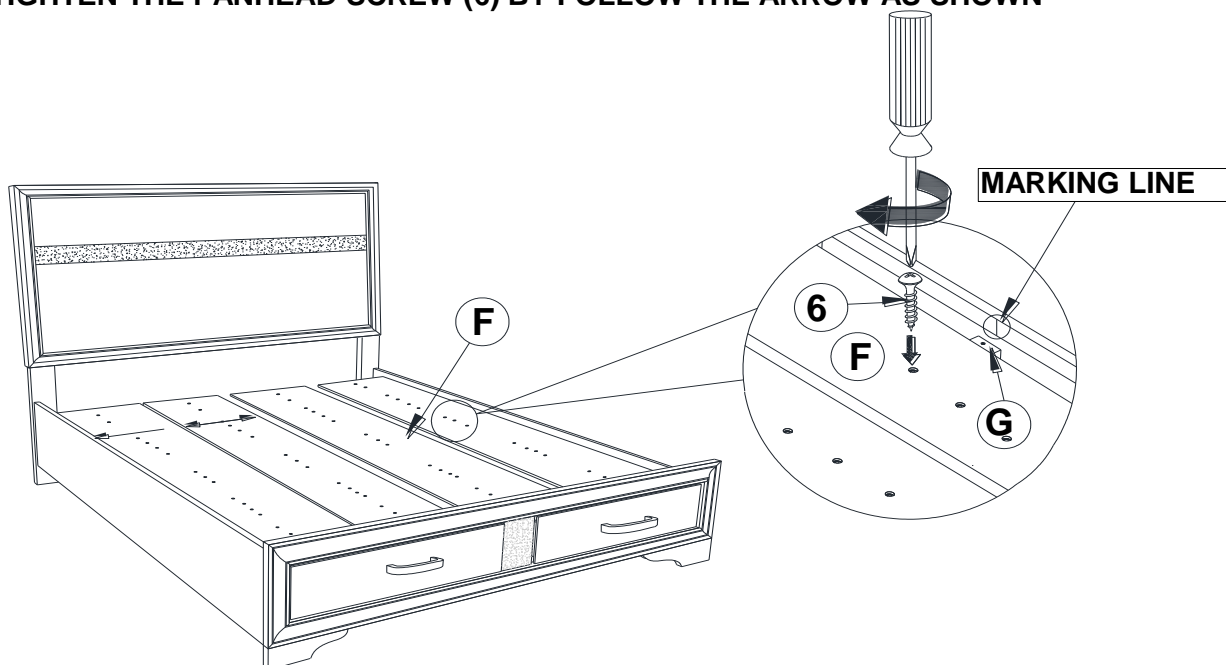


# ASSEMBLY INSTRUCTIONS

## STEP 9

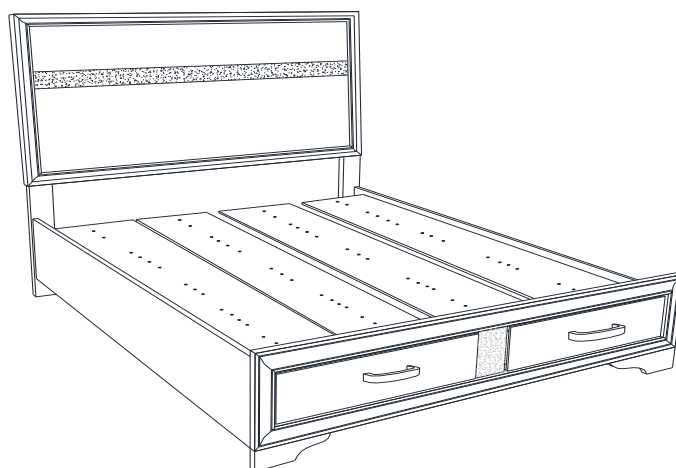


TIGHTEN THE PANHEAD SCREW (6) BY FOLLOW THE ARROW AS SHOWN



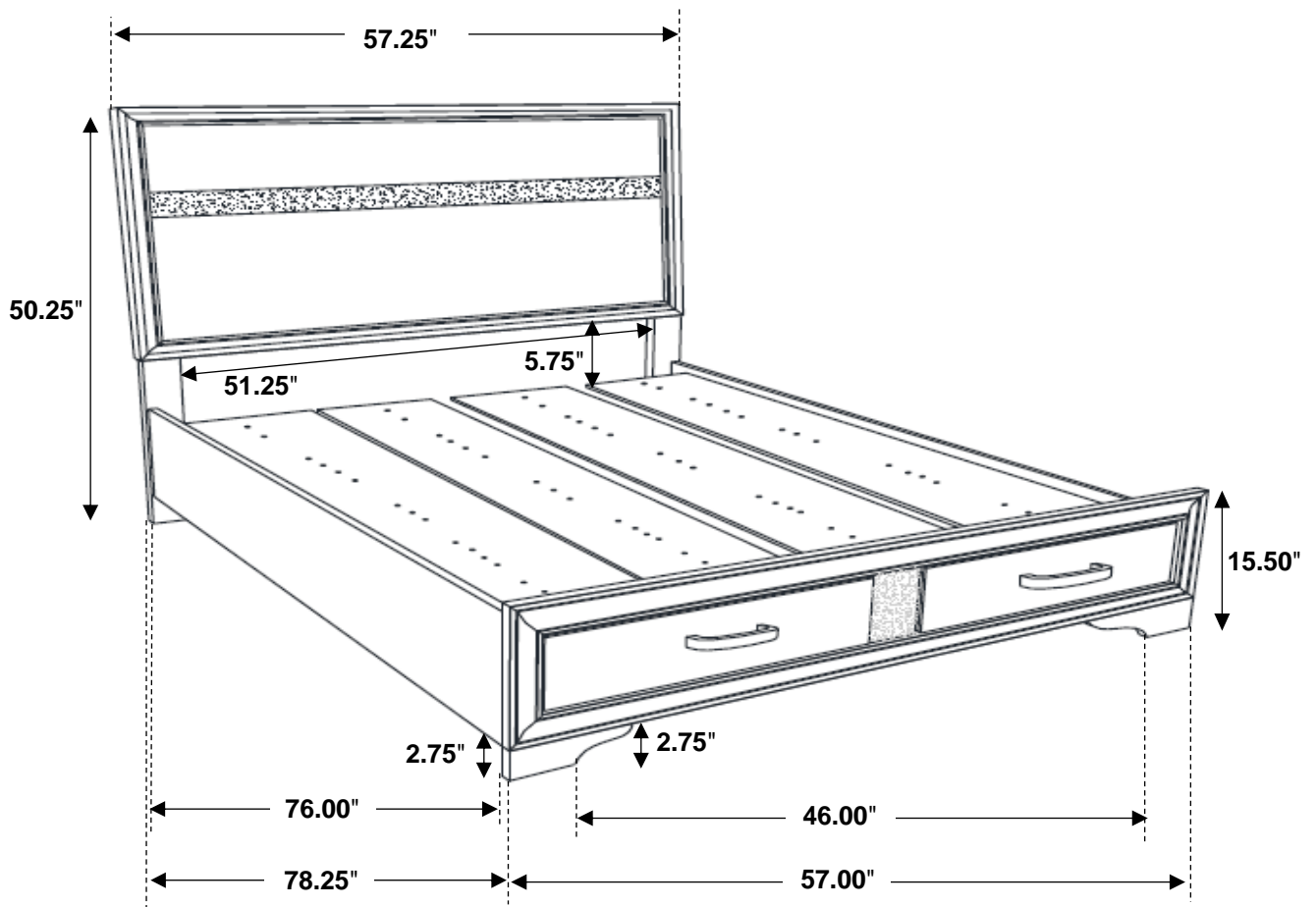
## STEP 10

## COMPLETE



**Inner Size: 54.75"W X 76.00"D**

**Inner Size of Drawer: 23.25"W X 15.00"D X 4.00"H X 0.25"T**



**Note: Dimension tolerance  $\pm 5\%$**

# ASSEMBLY INSTRUCTIONS



*Fine Furniture for every stage of life*

***Nightstand***

REVISION 0 : 08/08/2016  
REVISION 1 : 07/24/2017  
REVISION 2 : 09/04/2018  
REVISION 3 : 10/25/2019

# ASSEMBLY INSTRUCTIONS

## ASSEMBLY TIPS:

1. Remove hardware from box and sort by size.
2. Please check to see that all hardware and parts are present prior to start of assembly.
3. Please follow attached instructions in the same sequence as numbered to assure fast & easy assembly.



### WARNING!

1. Don't attempt to repair or modify parts that are broken or defective. Please contact the store immediately.
2. This product is for home use only and not intended for commercial establishments.

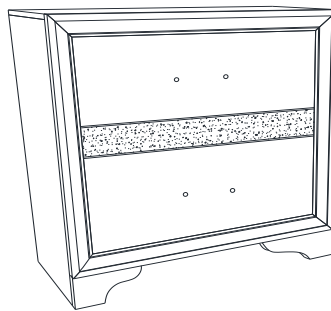


ASSEMBLY TIME

5 MINUTES

## PARTS IDENTIFICATION

A NIGHTSTAND

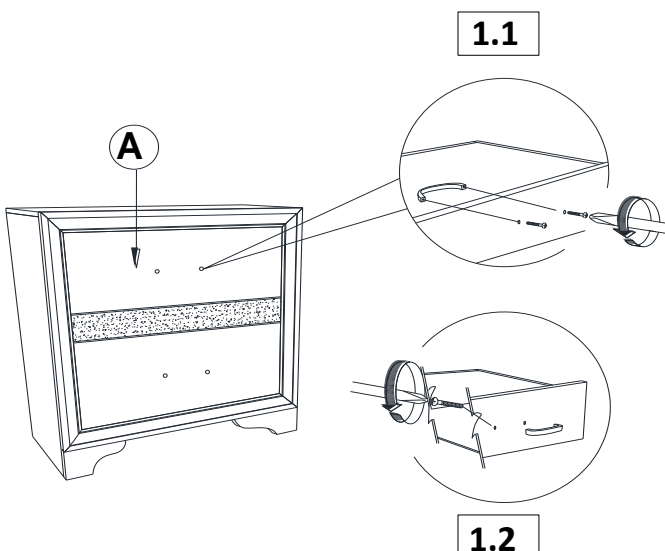


1PC

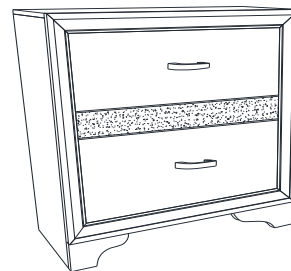
### NOTE:

Phillips head screw driver is required in the assembly process; however, manufacturer does not provide this item.

## STEP 1



## STEP 2 COMPLETE





# ASSEMBLY INSTRUCTIONS



*Fine Furniture for every stage of life*

## *Dresser*

REVISION 0 : 08/08/2016  
REVISION 1 : 07/24/2017  
REVISION 2 : 09/04/2018  
REVISION 3 : 10/25/2019

# ASSEMBLY INSTRUCTIONS

## ASSEMBLY TIPS:

1. Remove hardware from box and sort by size.
2. Please check to see that all hardware and parts are present prior to start of assembly.
3. Please follow attached instructions in the same sequence as numbered to assure fast & easy assembly.



### WARNING!

1. Don't attempt to repair or modify parts that are broken or defective. Please contact the store immediately.
2. This product is for home use only and not intended for commercial establishments.

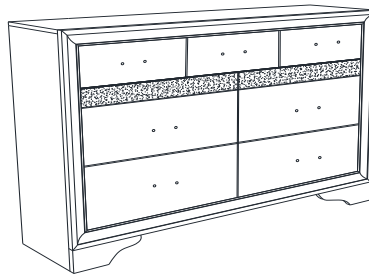


ASSEMBLY TIME

5 MINUTES

## PARTS IDENTIFICATION

A DRESSER

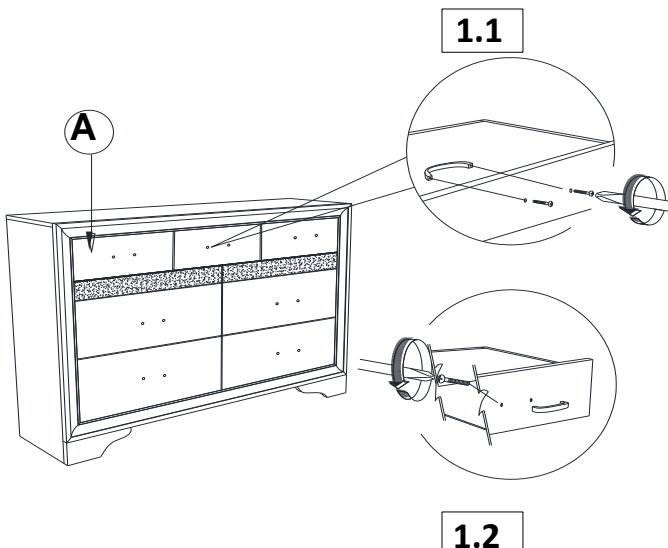


1PC

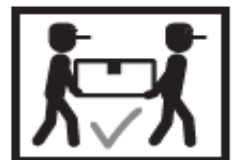
### NOTE:

Phillips head screw driver is required in the assembly process; however, manufacturer does not provide this item.

## STEP 1



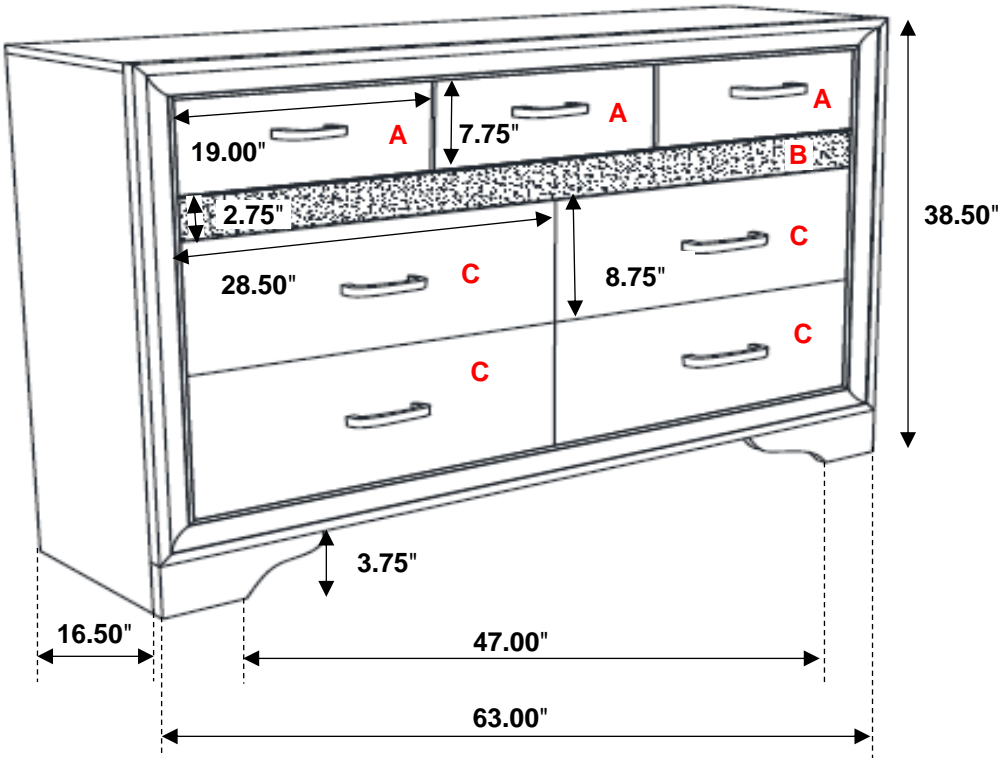
## STEP 2 COMPLETE



Inner Size of Drawer A: 17.00"W X 12.50"D X 5.00"H X 0.25"T

Inner Size of Drawer B: 26.00"W X 12.50"D X 1.25"H X 0.25"T

Inner Size of Drawer C: 26.75" W X 12.50"D X 6.00"H X 0.25"T



Note: Dimension tolerance  $\pm 5\%$

# ASSEMBLY INSTRUCTIONS



*Fine Furniture for every stage of life*

***Mirror***

REVISION 0 : 08/08/2016  
REVISION 1 : 09/04/2018  
REVISION 2 : 12/07/2018  
REVISION 3 : 10/25/2019  
REVISION 4 : 08/25/2023

# ASSEMBLY INSTRUCTIONS

## ASSEMBLY TIPS:

1. Remove hardware from box and sort by size.
2. Please check to see that all hardware and parts are present prior to start of assembly.
3. Please follow attached instructions in the same sequence as numbered to assure fast & easy assembly.



### WARNING!

1. Don't attempt to repair or modify parts that are broken or defective. Please contact the store immediately.
2. This product is for home use only and not intended for commercial establishments.

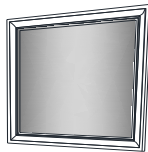


ASSEMBLY TIME

10 MINUTES

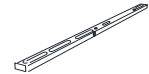
## PARTS IDENTIFICATION

A MIRROR



1PC

C MIRROR SUPPORT  
(PACKED WITH MIRROR)



2PCS

B DRESSER FROM  
BOX



1PC

## HARDWARE IDENTIFICATION

1 SHORT BOLT  
(M6 x 35mm - BLK)



4PCS

4 FLAT WASHER  
(1/4" ID x 19mm - BLK)



8PCS

2 LONG BOLT  
(M6 x 40mm - BLK)



4PCS

5 ALLEN WRENCH  
(M4 x 60MM - BLK)



1PC

3 LOCK WASHER  
(1/4" - BLK)

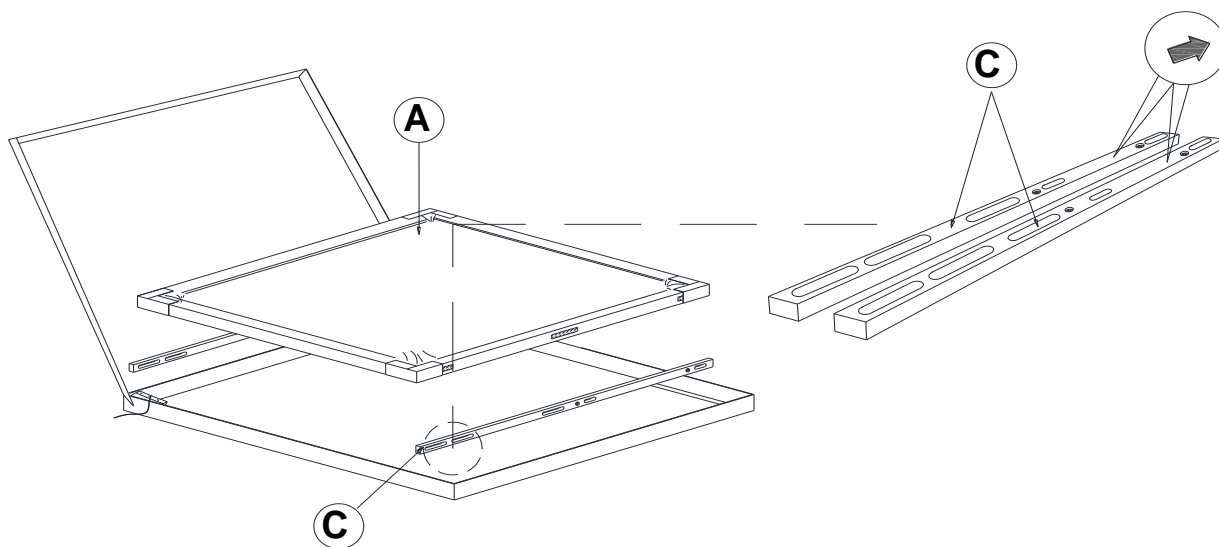


8PCS

# ASSEMBLY INSTRUCTIONS

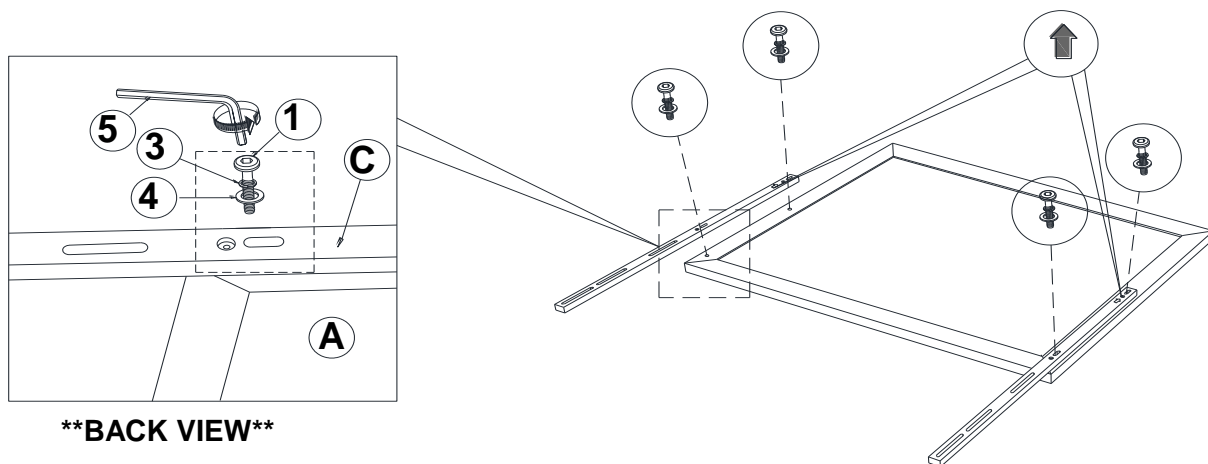
## STEP 1

ARROW MARKING FACE UPWARD



## STEP 2

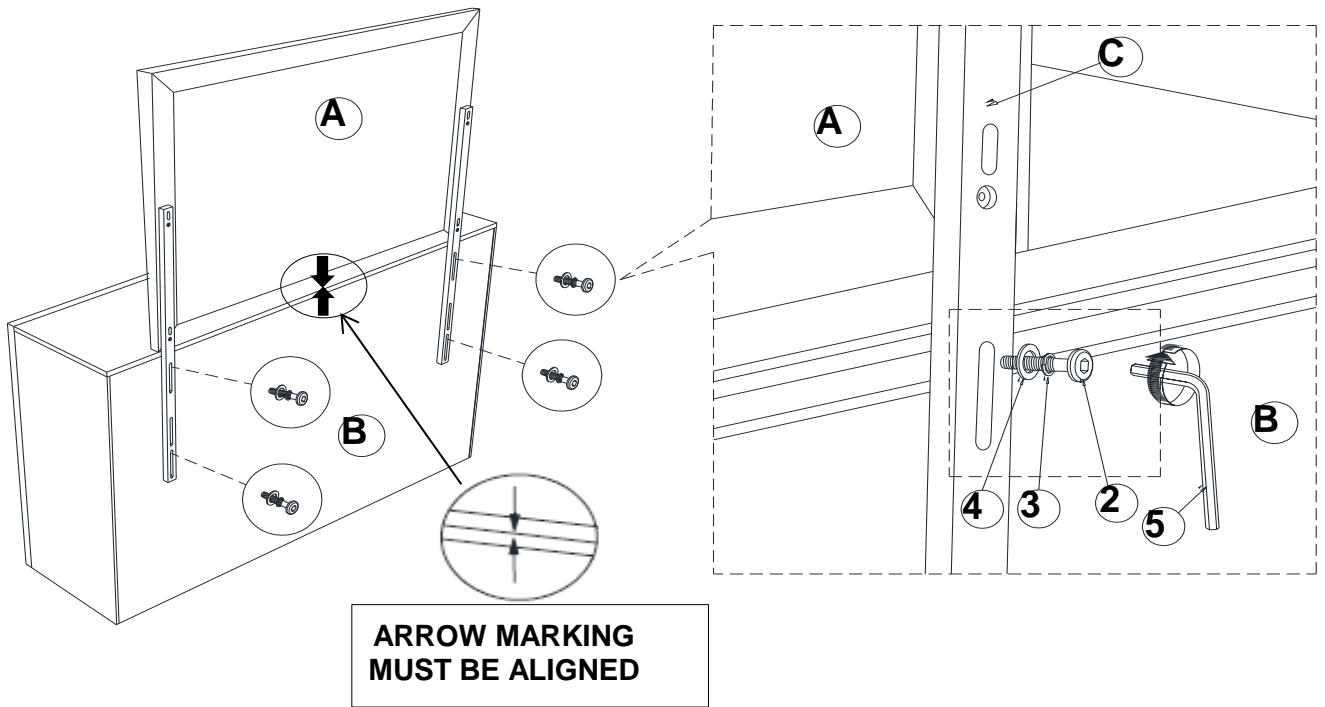
ARROW MARKING FACE UPWARD



**\*\*BACK VIEW\*\***

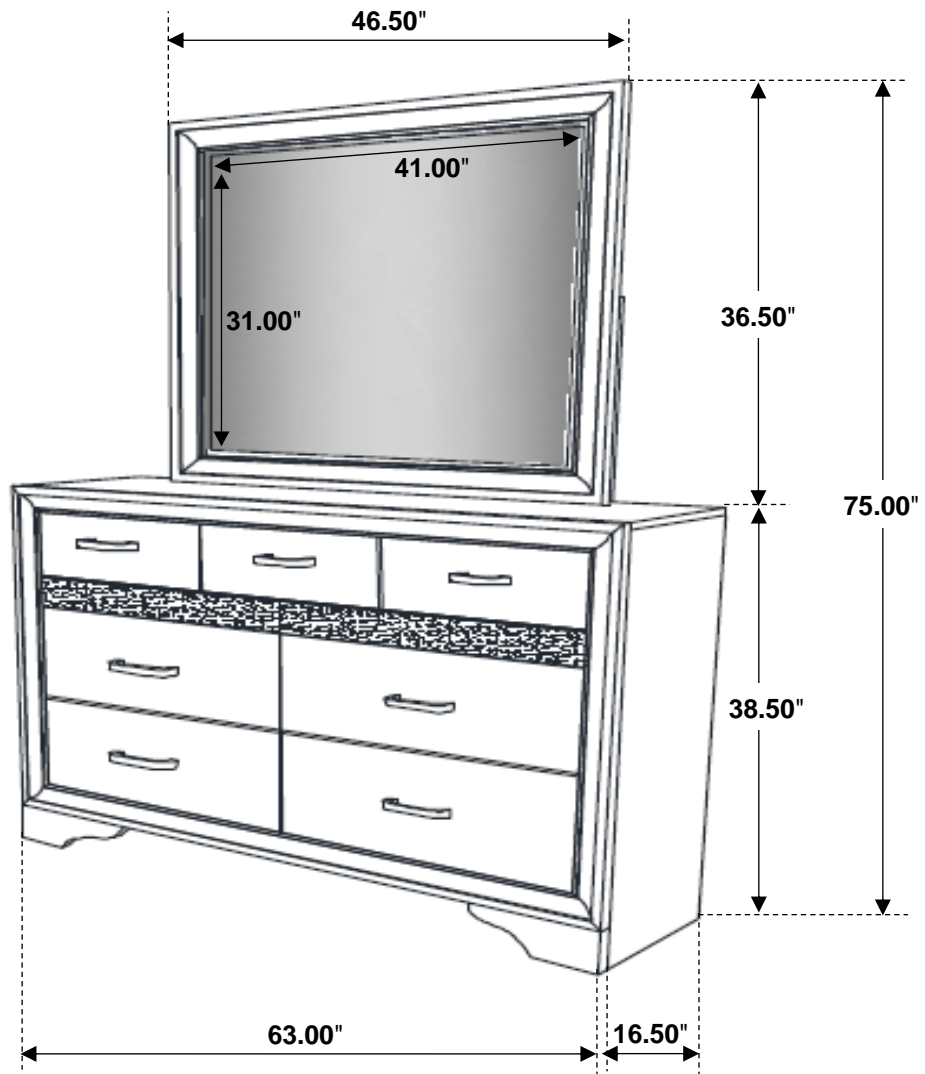
# ASSEMBLY INSTRUCTIONS

## STEP 3



## STEP 4 COMPLETE





**Note: Dimension tolerance  $\pm 5\%$**

# ASSEMBLY INSTRUCTIONS



*Fine Furniture for every stage of life*

***Chest***

REVISION 0 : 08/08/2016  
REVISION 1 : 07/24/2017  
REVISION 2 : 09/04/2018  
REVISION 3 : 10/25/2019

**PAGE 1 OF 2**

# ASSEMBLY INSTRUCTIONS

## ASSEMBLY TIPS:

1. Remove hardware from box and sort by size.
2. Please check to see that all hardware and parts are present prior to start of assembly.
3. Please follow attached instructions in the same sequence as numbered to assure fast & easy assembly.



### WARNING!

1. Don't attempt to repair or modify parts that are broken or defective. Please contact the store immediately.
2. This product is for home use only and not intended for commercial establishments.



ASSEMBLY TIME

5 MINUTES

## PARTS IDENTIFICATION

A

CHEST

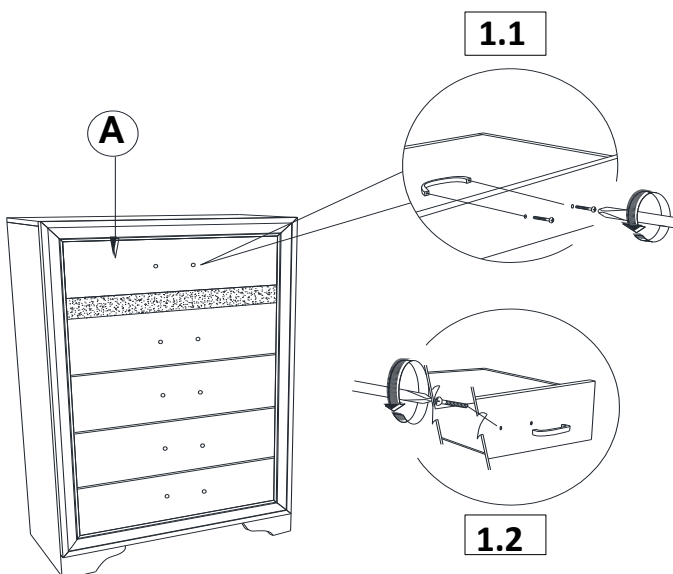


1PC

### NOTE:

Phillips head screw driver is required in the assembly process; however, manufacturer does not provide this item.

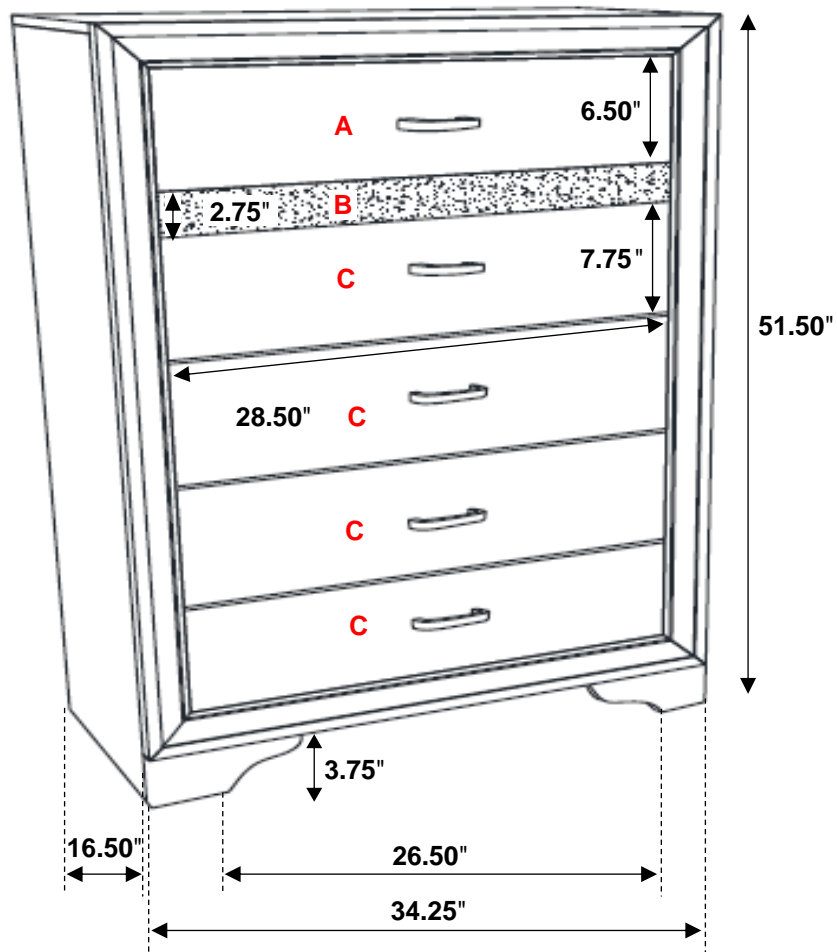
## STEP 1



## STEP 2 COMPLETE



Inner Size of Drawer A: 26.50"W X 12.50"D X 4.00"H X 0.25"T  
Inner Size of Drawer B: 25.50"W X 12.50"D X 1.18"H X 0.25"T  
Inner Size of Drawer C: 26.50"W X 12.50"D X 5.00"H X 0.25"T



Note: Dimension tolerance  $\pm 5\%$