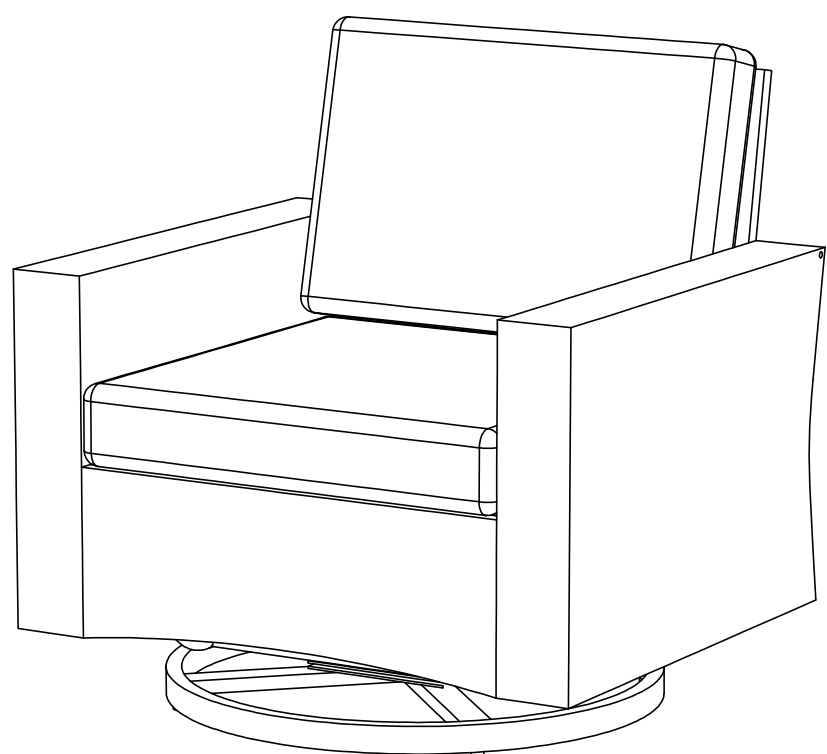
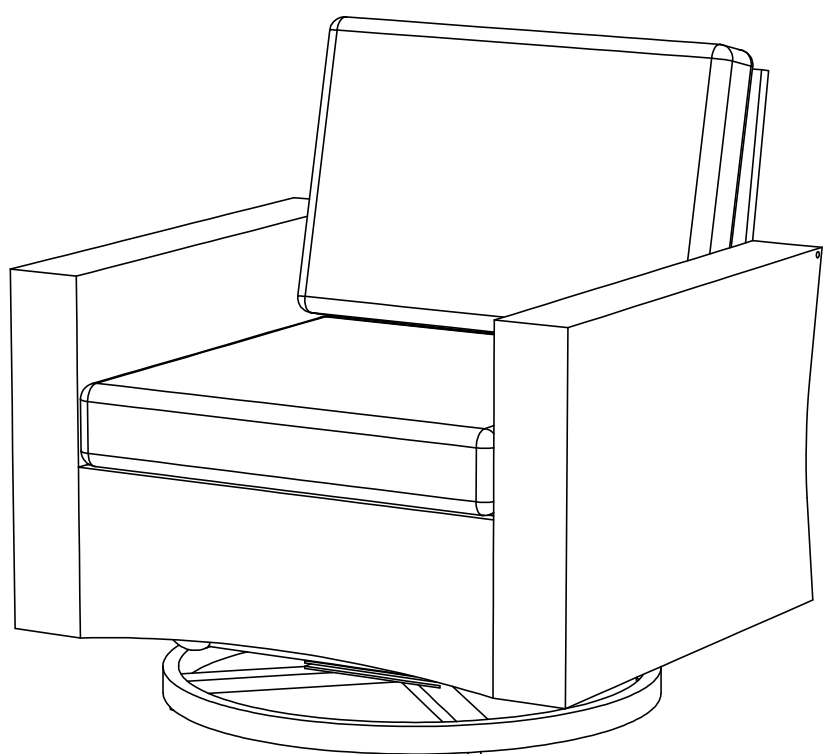
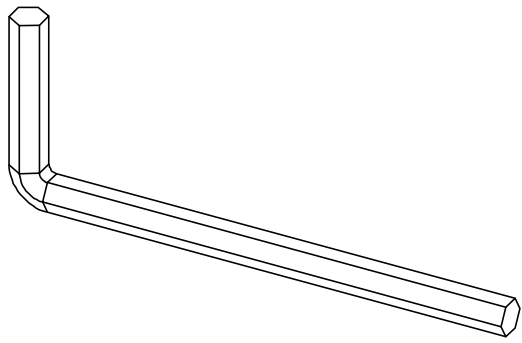


# Assembly Instructions

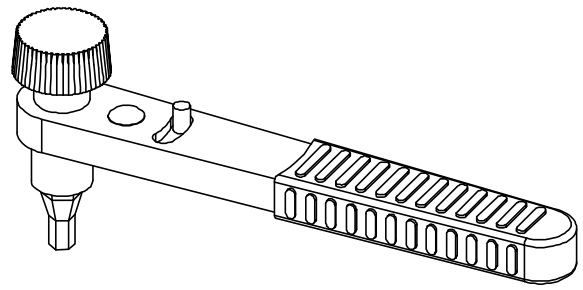
## Outdoor Wicker Swivel Rocking Chair



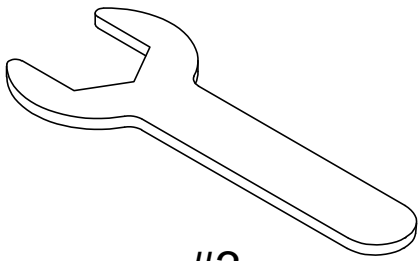
# HARDWARE INCLUDED



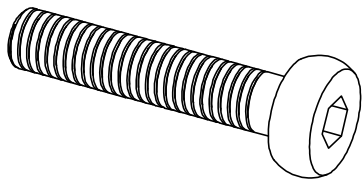
#1



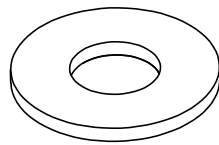
#2



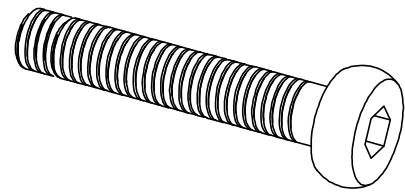
#3



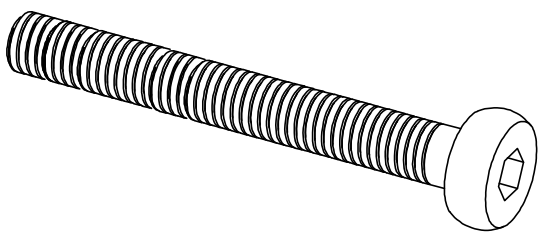
AA



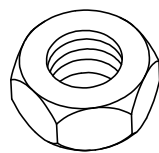
BB



EE



FF

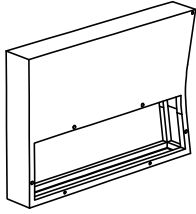
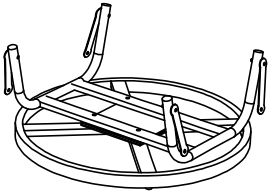
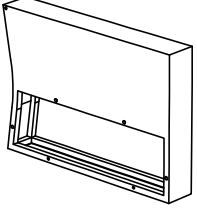
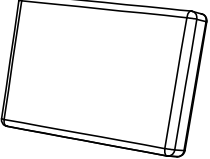
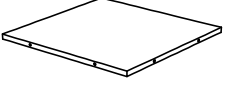
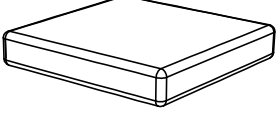

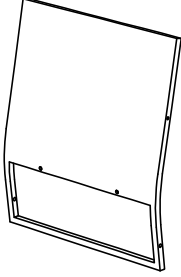
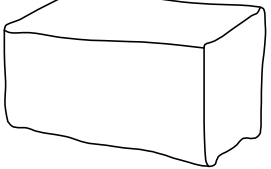


GG

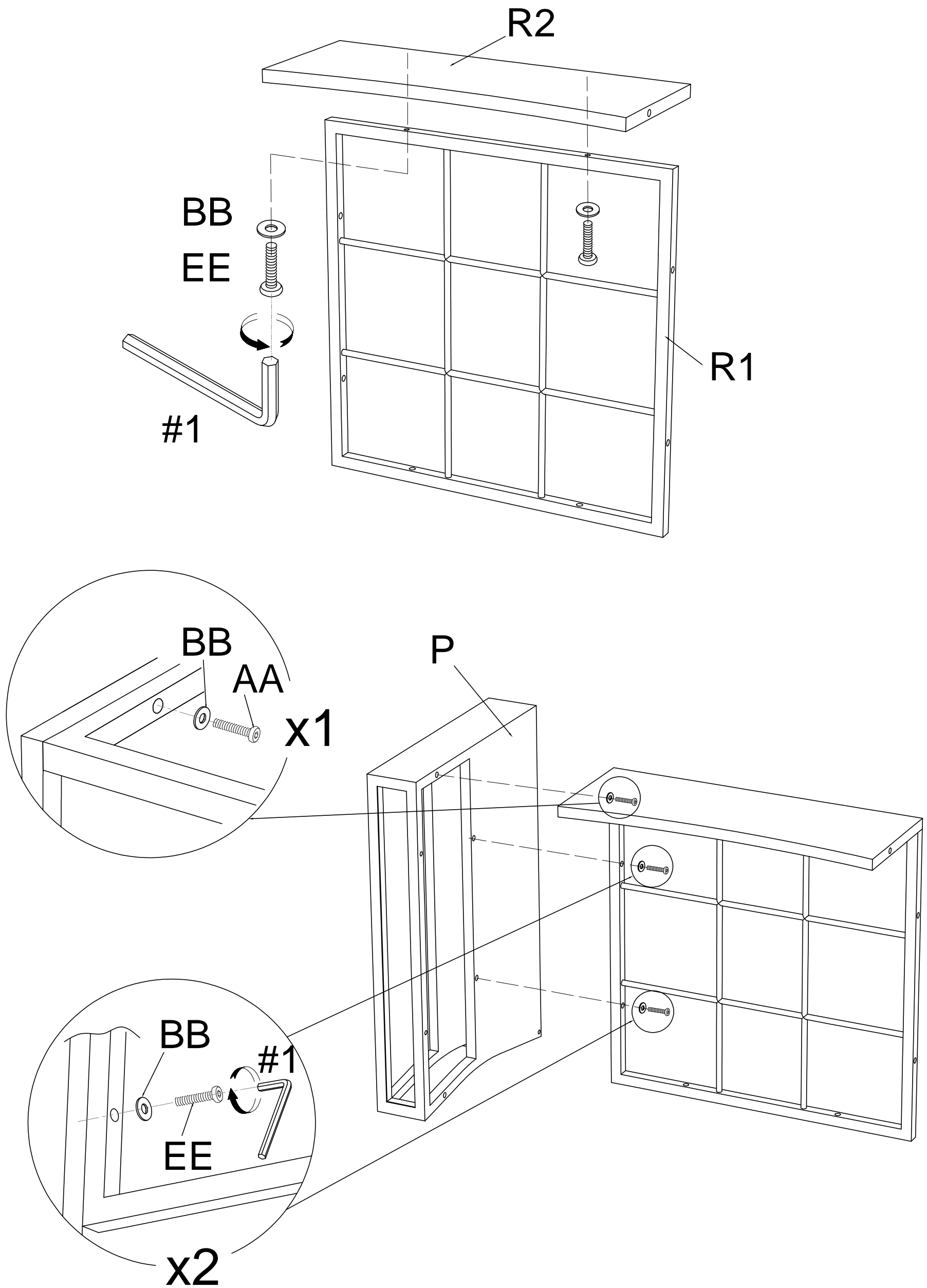
Part	Description	Quantity
#1	Allen Wrench	1
#2	Ratchet Wrench	1
#3	wrench	1

Part	Description	Quantity
AA	M6*35 Bolt	8
BB	Washer	42
EE	M6*40 Bolt	22
FF	M9*105 Bolt	4
GG	M6*40 Bolt	8

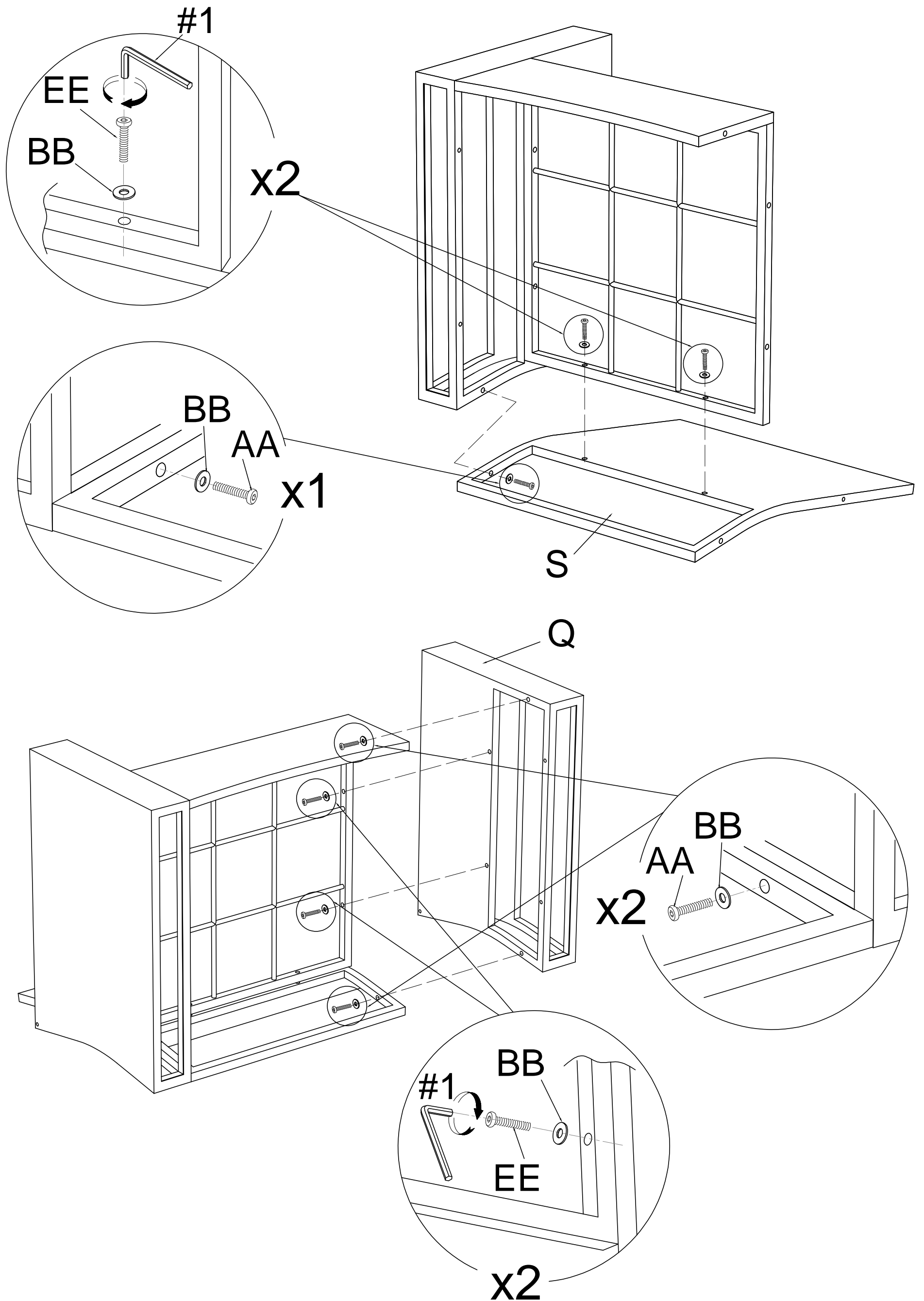
# PACKAGE CONTENTS

Part	Description	Image	Quantity	Part	Description	Image	Quantity
P	Right Armrest		2	T	Swivel Rocker Base		2
Q	Left Armrest		2	U	Back Cushion		2
R1	Chair seat panel		2	V	Seat Cushion		2
R2	Chair seat top panel		2				
S	Single Chair Back		2	J5	Cover		1

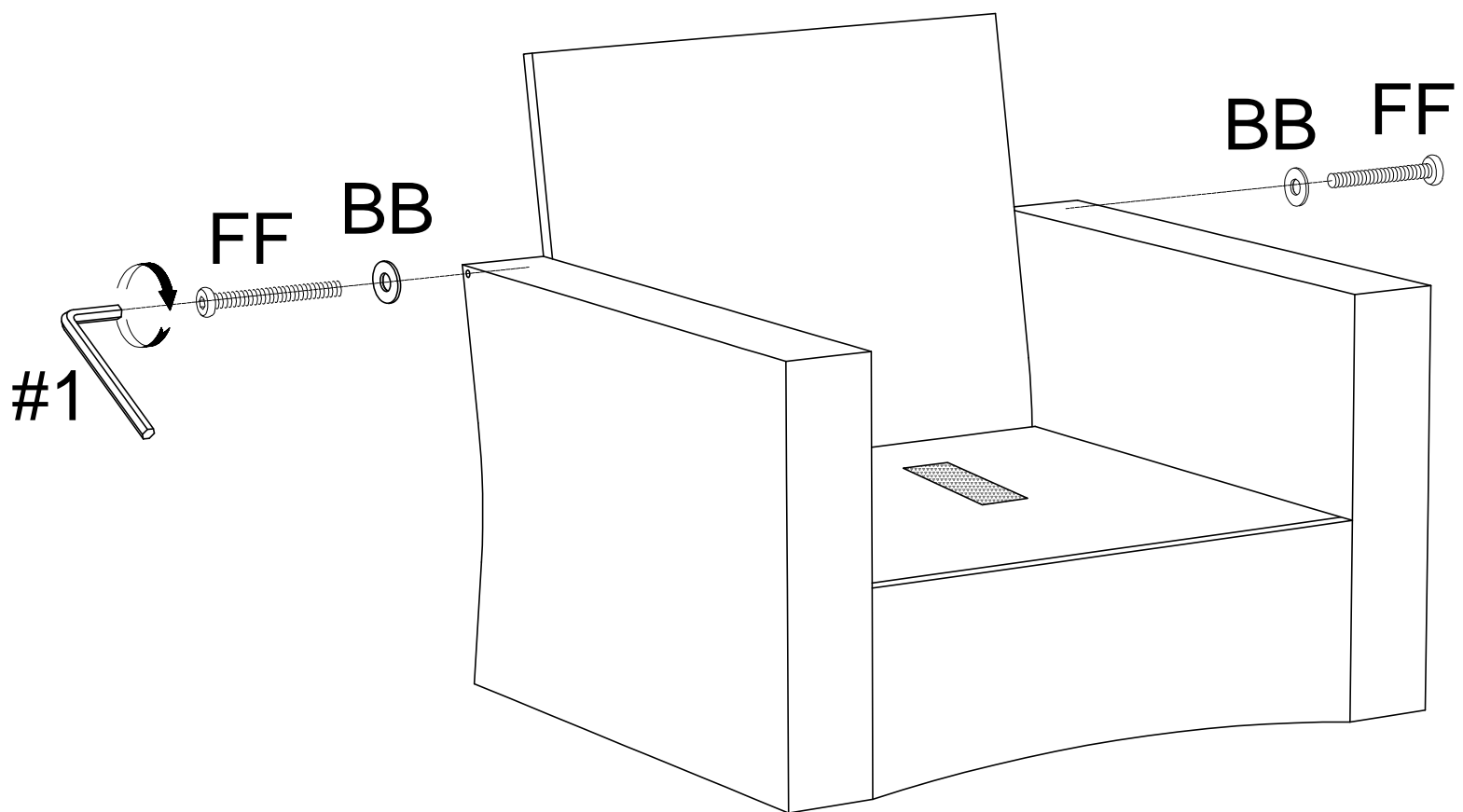
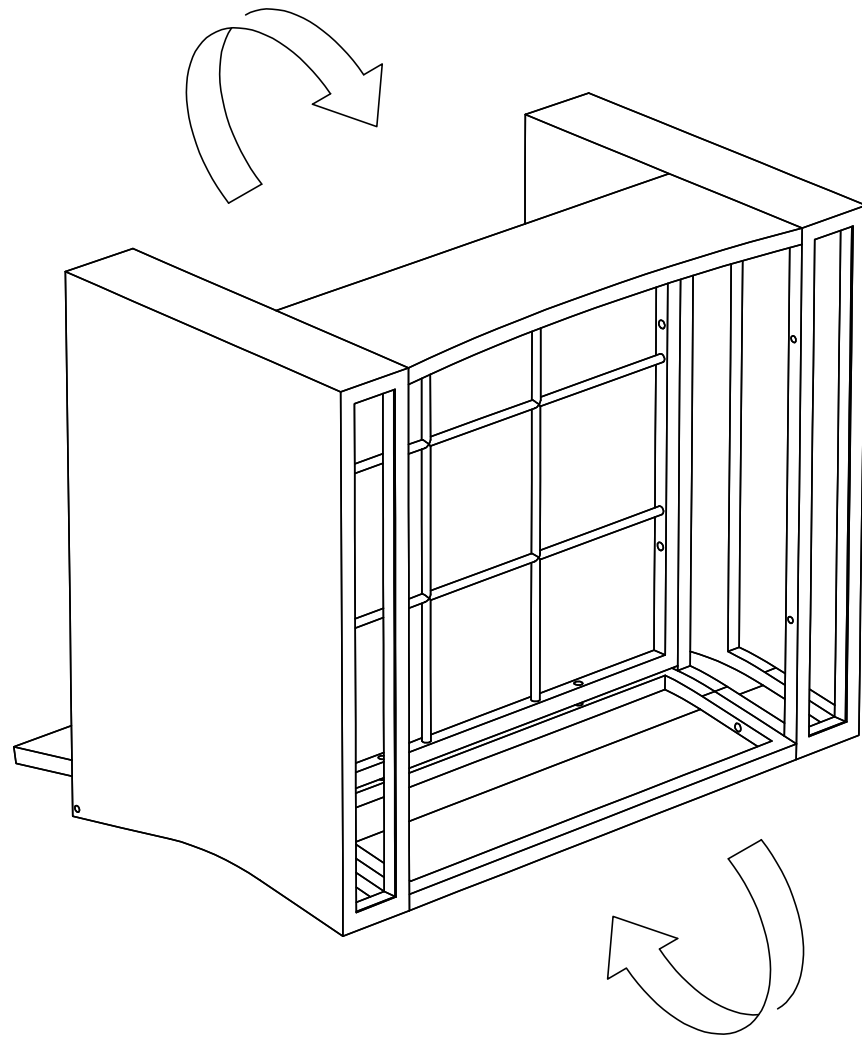
# Assembly of Single Chair



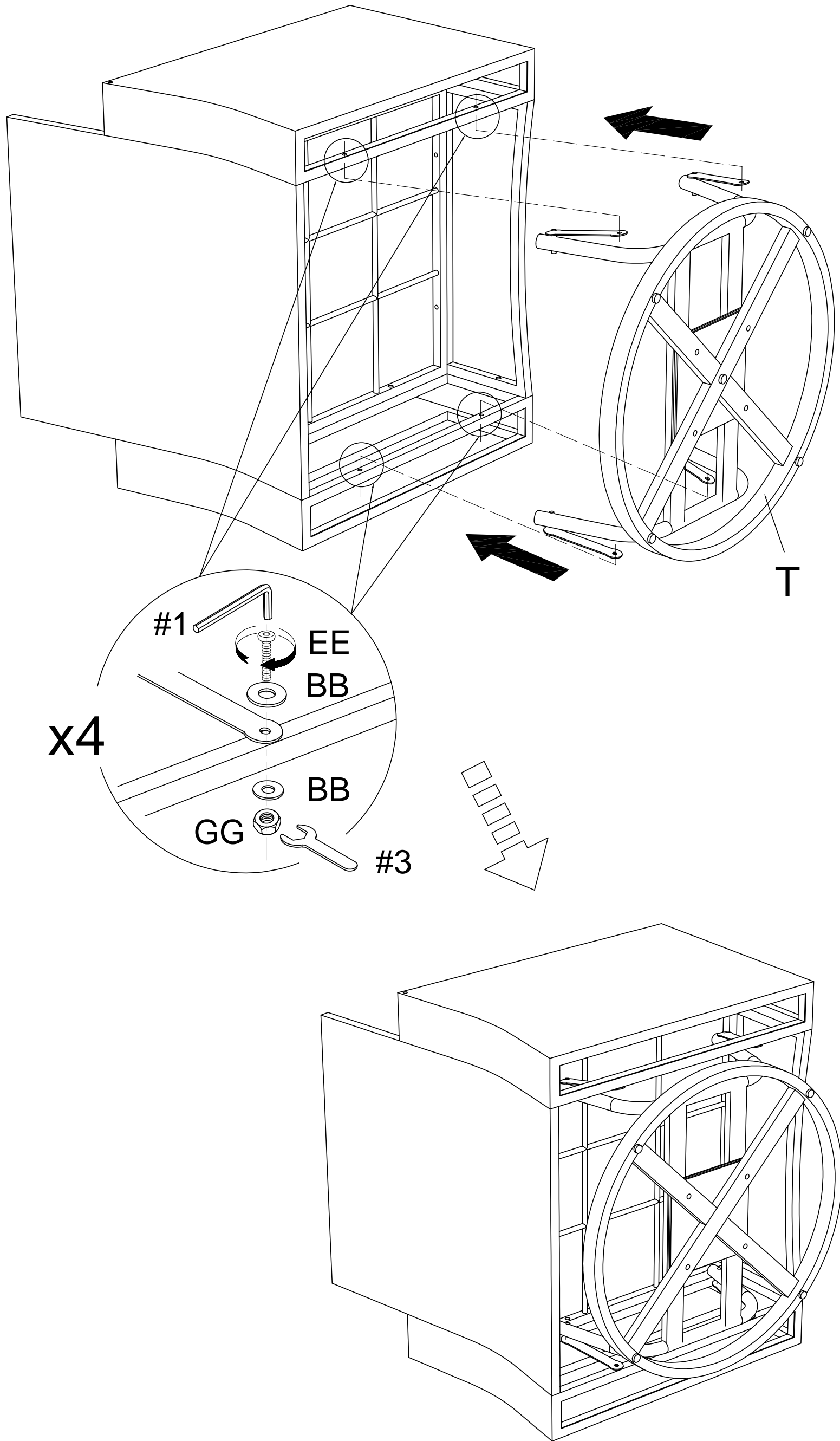
# Assembly of Single Chair



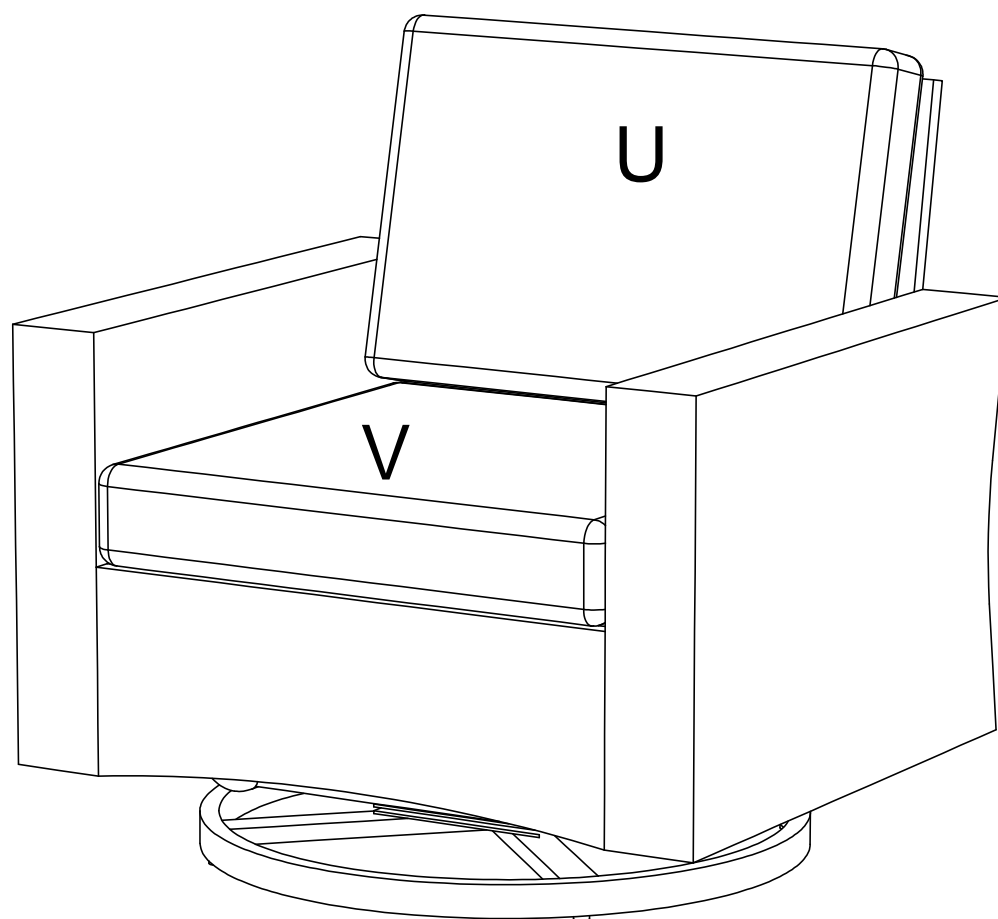
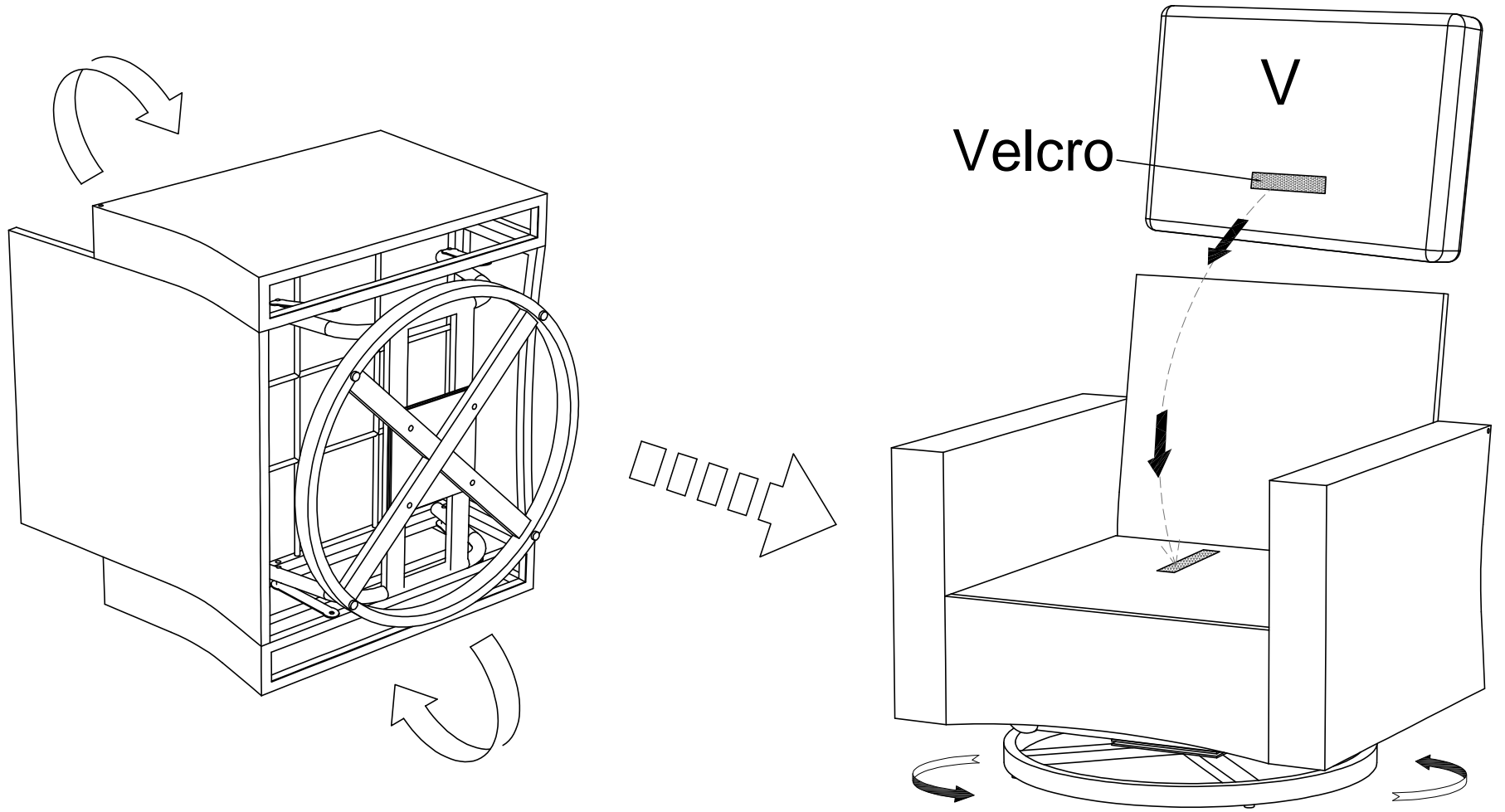
# Assembly of Single Chair

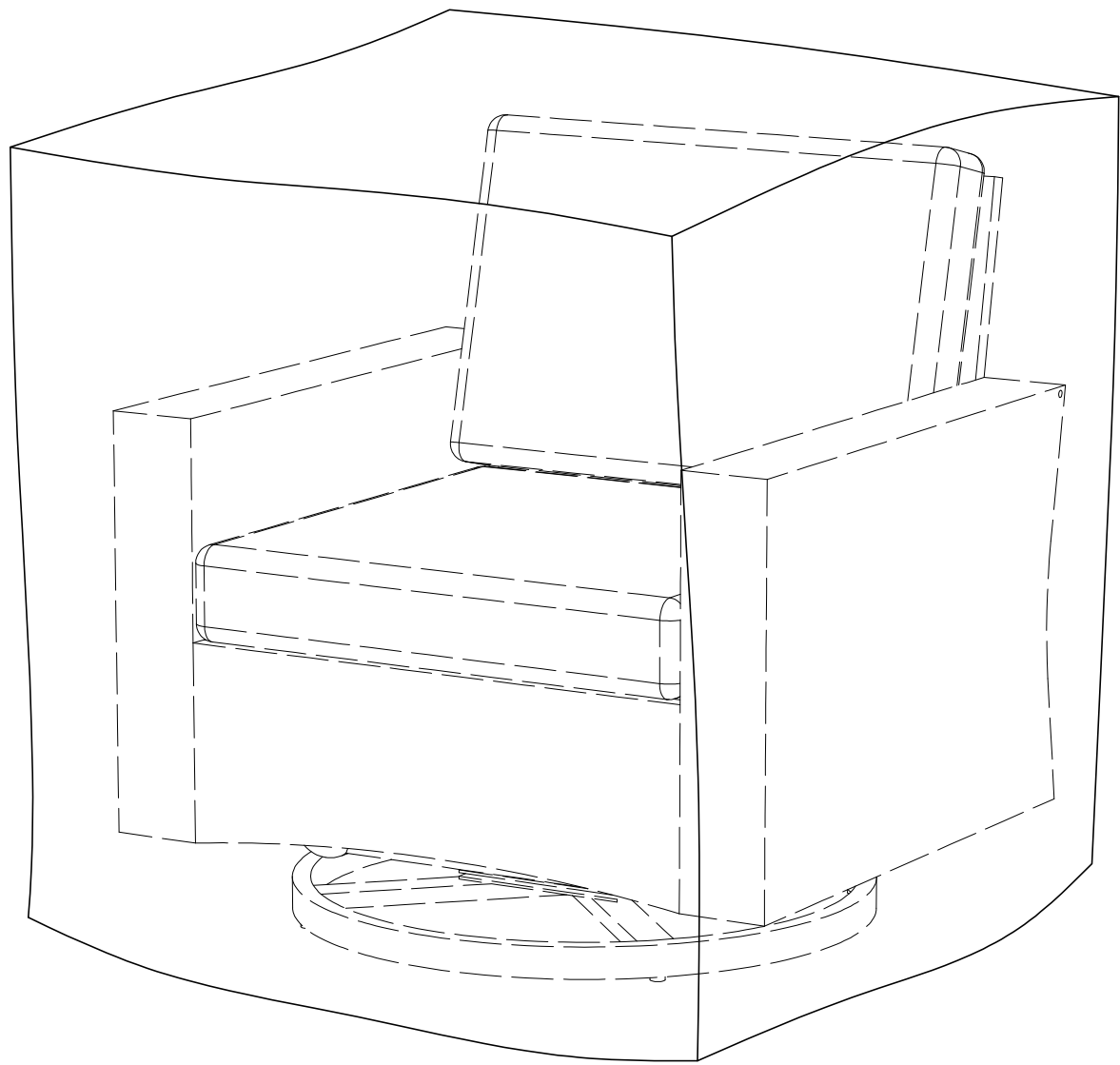
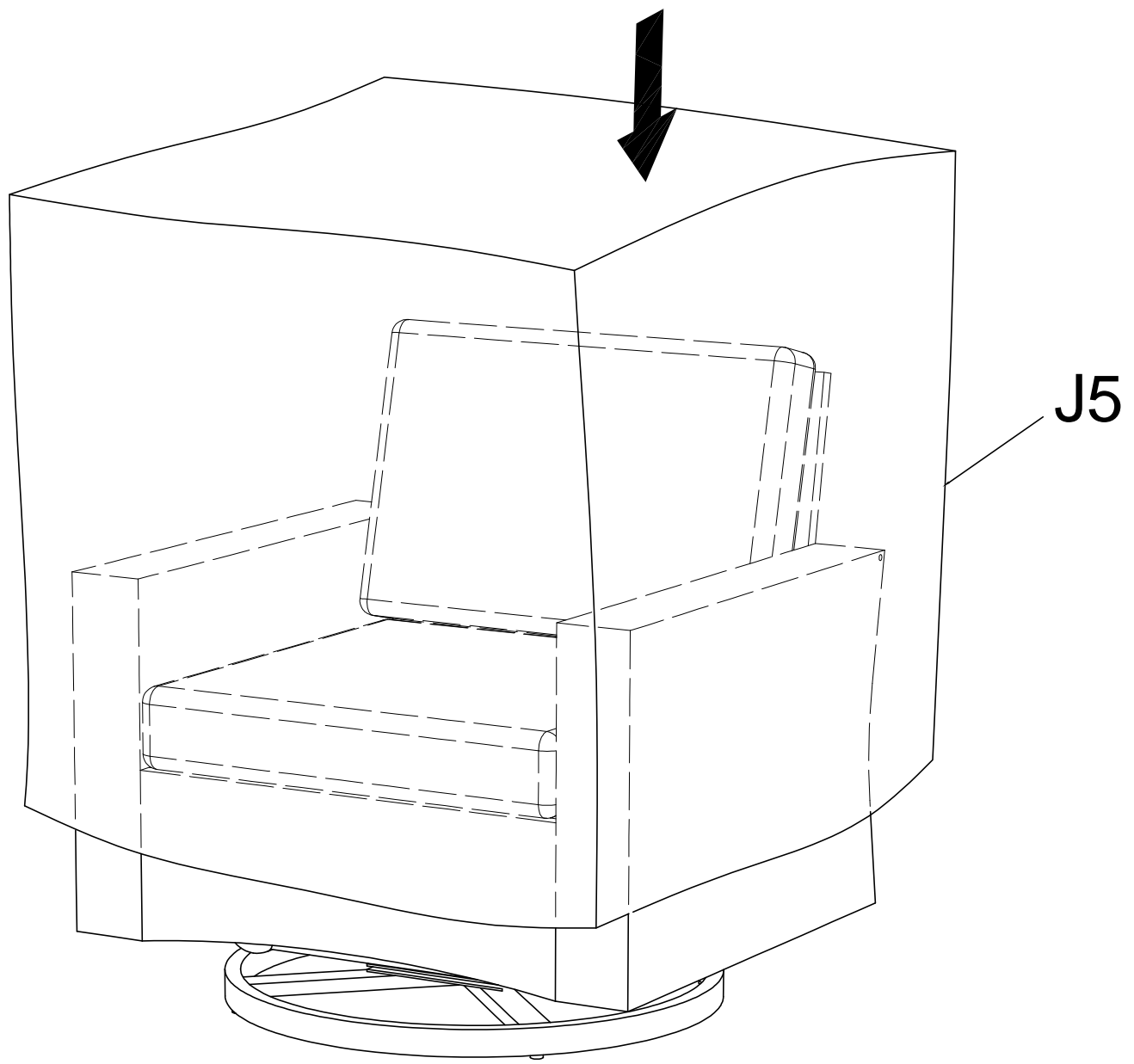


# Assembly of Single Chair



# Assembly of Single Chair





**If you find deep wrinkles due to the compression on the cushion cover, warm iron the fabric to remove the wrinkles**

**Due to the compression, it may take a while for the cushions to recover to original thickness.**

