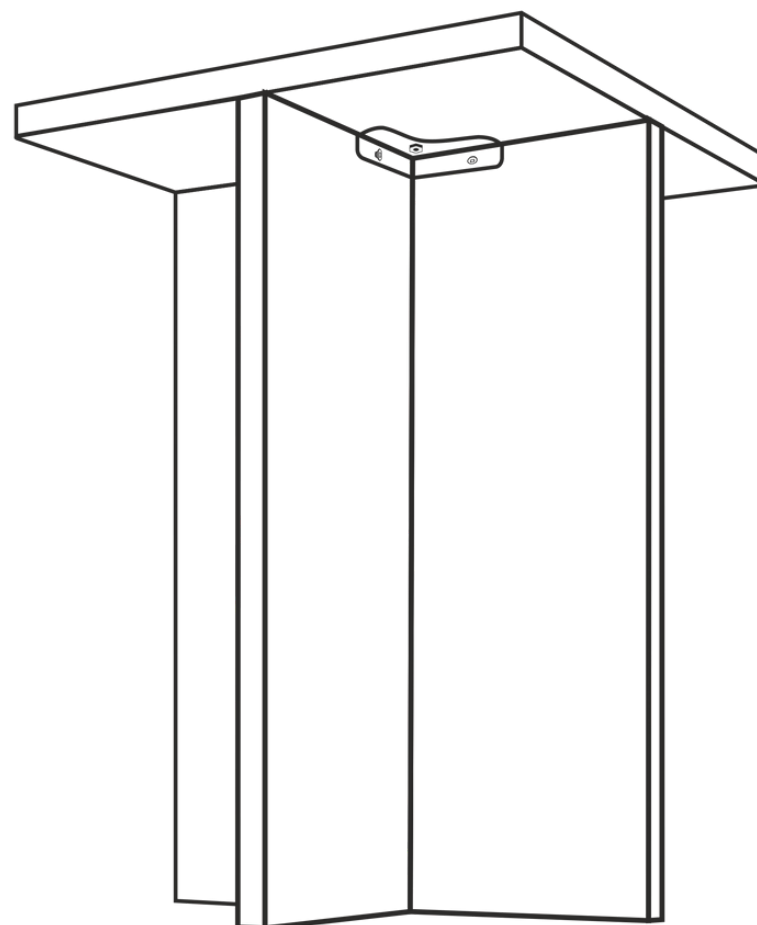


ASSEMBLY INSTRUCTIONS.

ACCENT TABLE GOLDEN FOREST MARBLE



THANK YOU FOR YOUR PURCHASE

PARTS

PARTS LIST

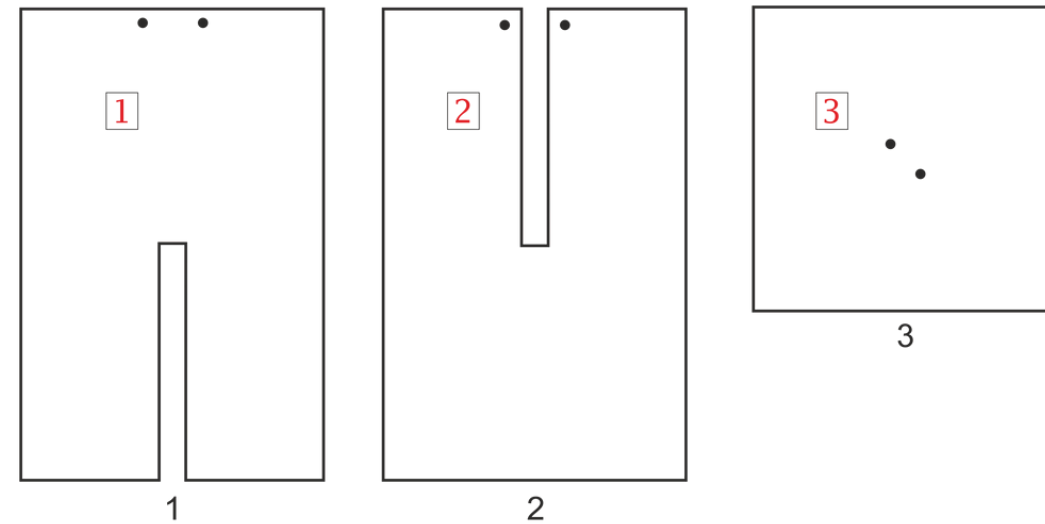
NO.	DESCRIPTION	IMAGE	QTY
A	Leg 1		1
B	Leg 2		1
C	Top		1

NOTES.

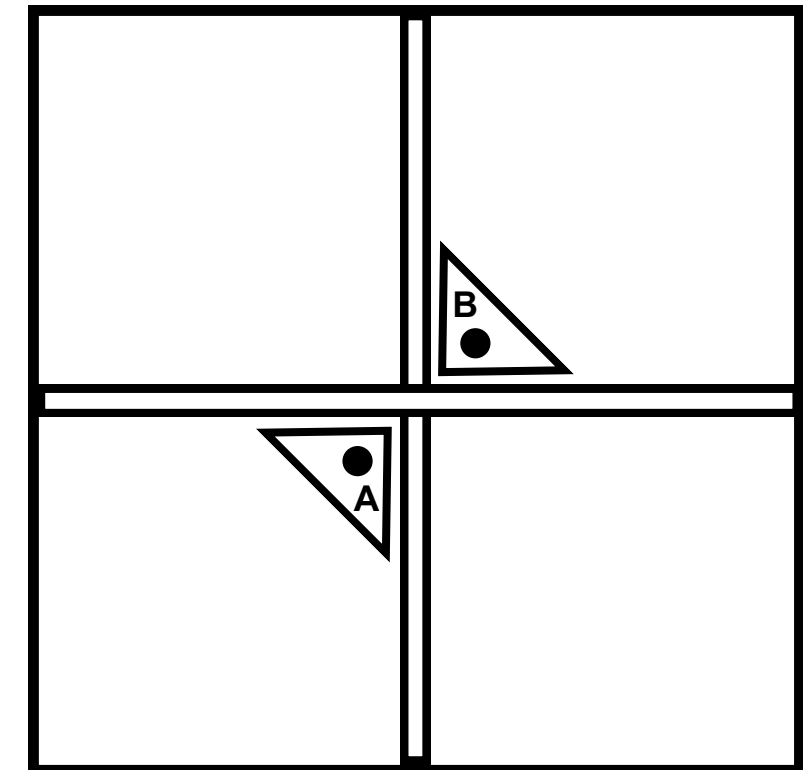
Thank you for this quality product!
Be sure to check all packing material carefully for small part that May have come loose inside the carton during shipping.

CAUTION: The item is heavy, assembly should be performed by two people.

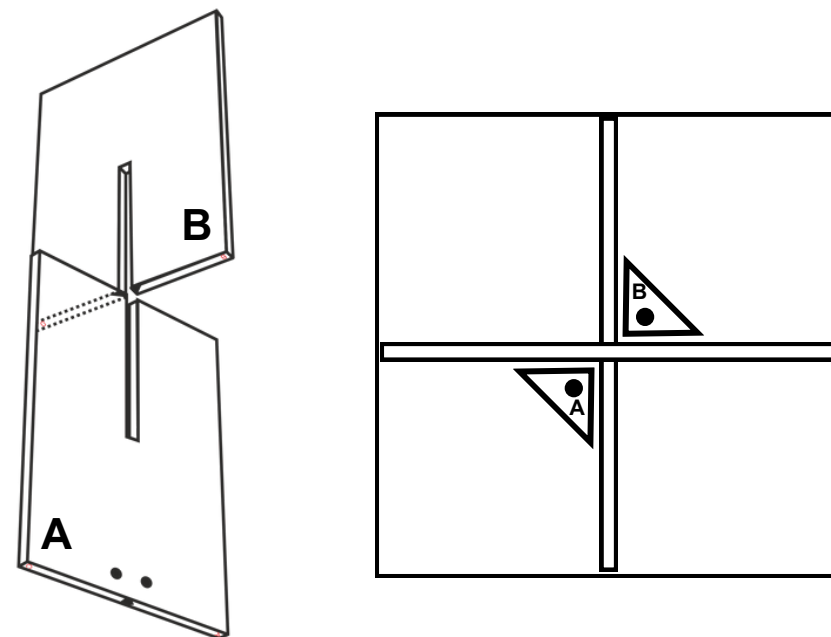
STEP 1.
Place the three stone parts labeled 1 2 3 flat on the floor



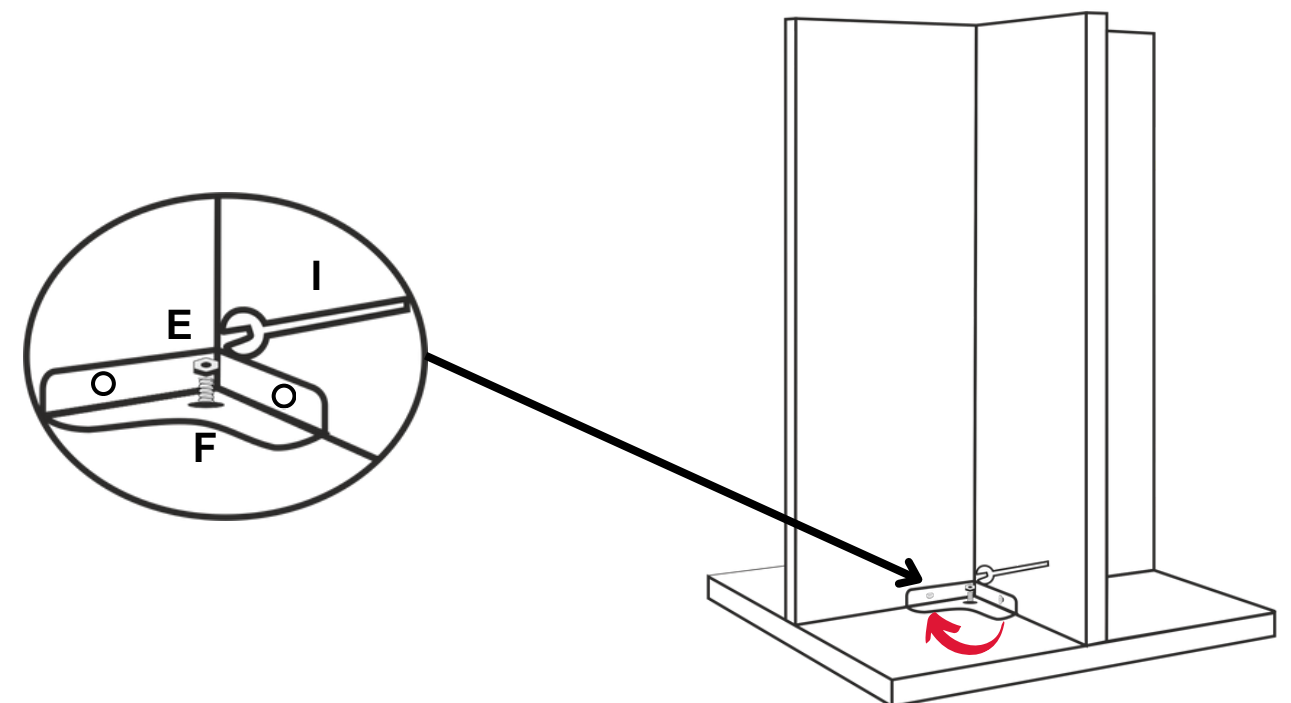
STEP 2.
Top need to flatten on floor & match the Leg(A) with A mark & Leg(B) with B mark



STEP 3.
Hold Part 2 upright with someone's help slide the Part 1 ensuring the sticker match together A with A & B with B




STEP 4.
The marble top need to be tighten with the help of bolt & spanner



HARDWARE

HARDWARE LIST

D	Bolts 33mm X 6mm		4
E	Nuts 8mm		6
F	Washer		10
G	L Key		1
H	Metal Angle		2
I	Spanner		1

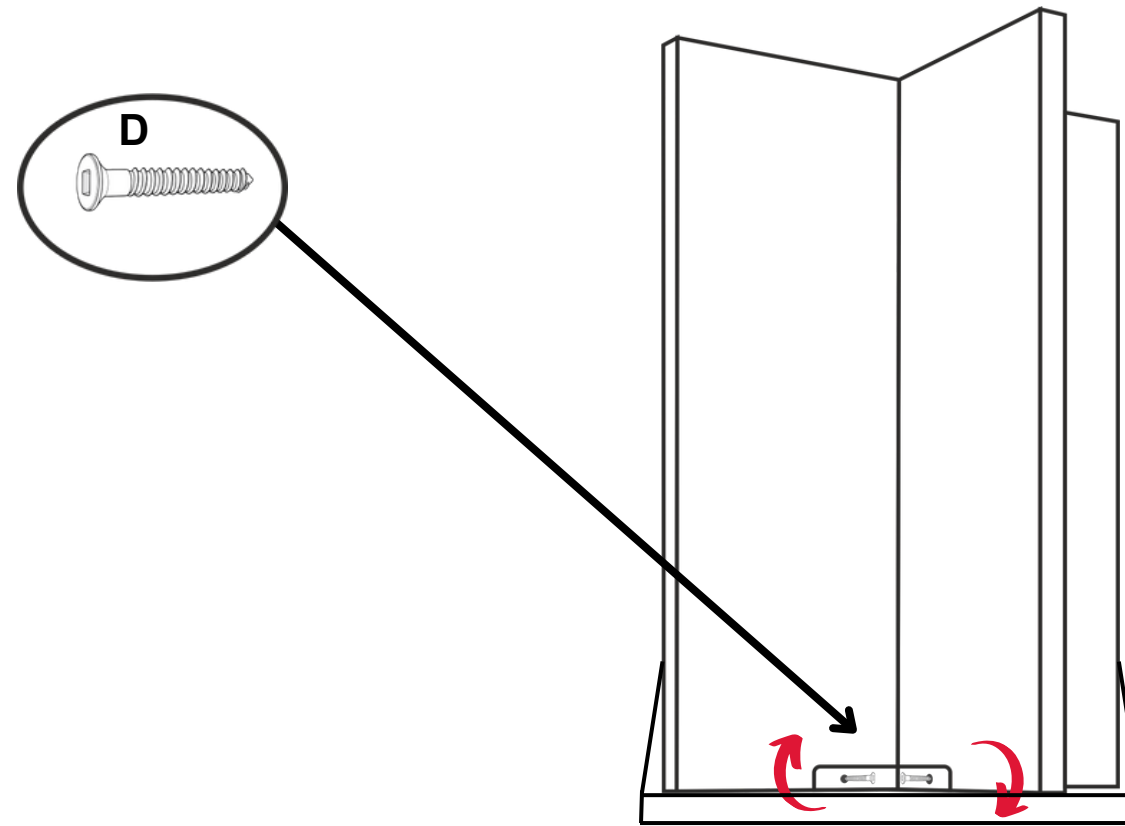
NOTES.

Thank you for this quality product!
Be sure to check all packing material carefully for small part that May have come loose inside the carton during shipping.

CAUTION: The item is heavy, assembly should be performed by two people.

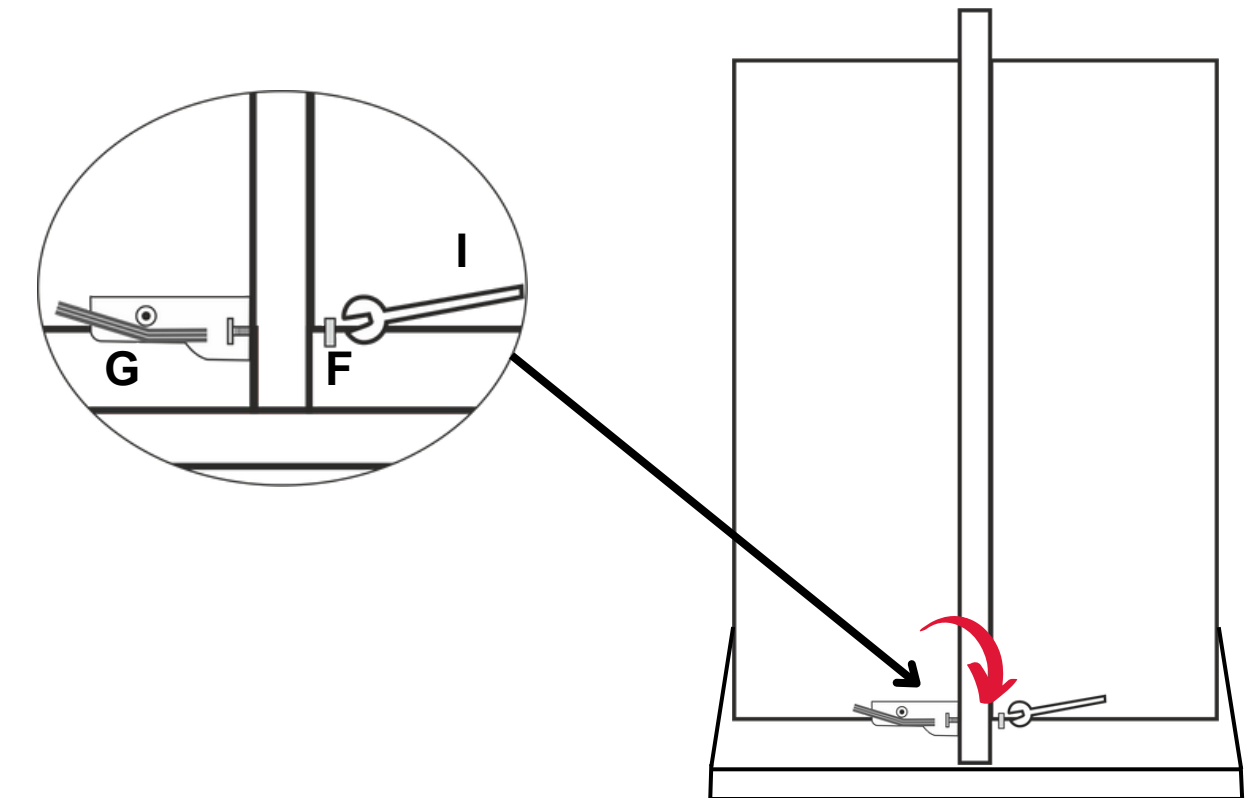
STEP 4.

We have to screw the metal angle with marble legs



STEP 5.

Metal angle and marble legs need to tighten with the help of L key and Spanner



STEP 7.

Just turn your table upside down with the help of two person & your table is ready to use

