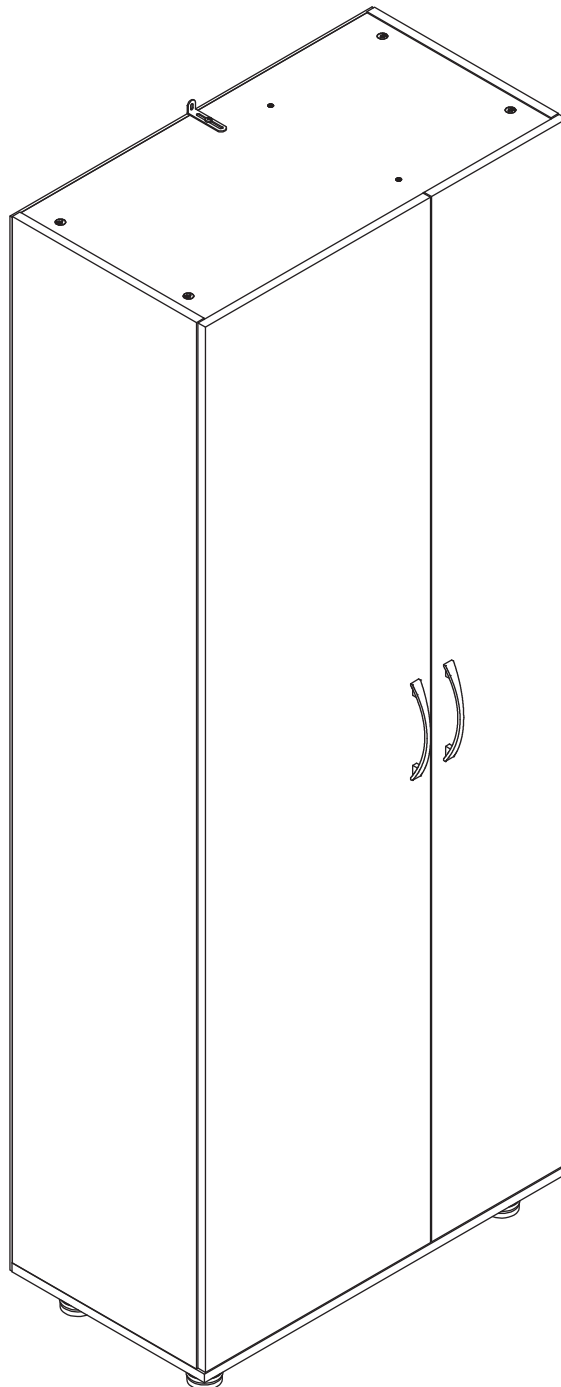


ASSEMBLY INSTRUCTION



INSTALLATION PREPARATION

Dear Customer,

Thank you for choosing us. Before you begin assembly, check that you have all the parts and hardware shown on this page.

If there is any item missing, please mark the item, indicating quantity required and send picture to us. We will arrange replacement at first time.

If feel question in assemble, Please feel free to ask us. Customer satisfaction is our prime.

Your order means a lot to us!

Thank you!

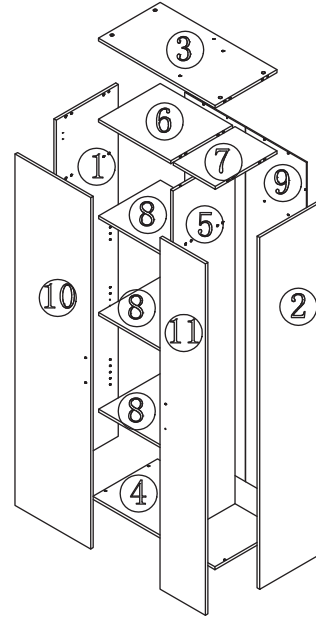
TOOLS NEEDED

Crosshead screwdriver

Flat-head screwdriver



PARTS LIST



HARDWARE LIST

A:Cam lock
Φ15*11mm



12 PCS

B:Cam bolt
Φ6*35mm



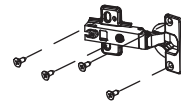
12 PCS

C:Wooden Dowel
Φ8*30mm



12 PCS

D:Full Cover Hinge



6 PCS

E:Handle



2 PCS

F:Pull Screw
M4*18



4 PCS

G:Screw
M5*40



8 PCS

H:Screw
M4*13



21 PCS

I:Shelf Support



12 PCS

J:Plug(low)
Φ15*3mm



12 PCS

K:Foot



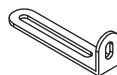
5 PCS

L:Screw
M4*20



22 PCS

M:safety bracket



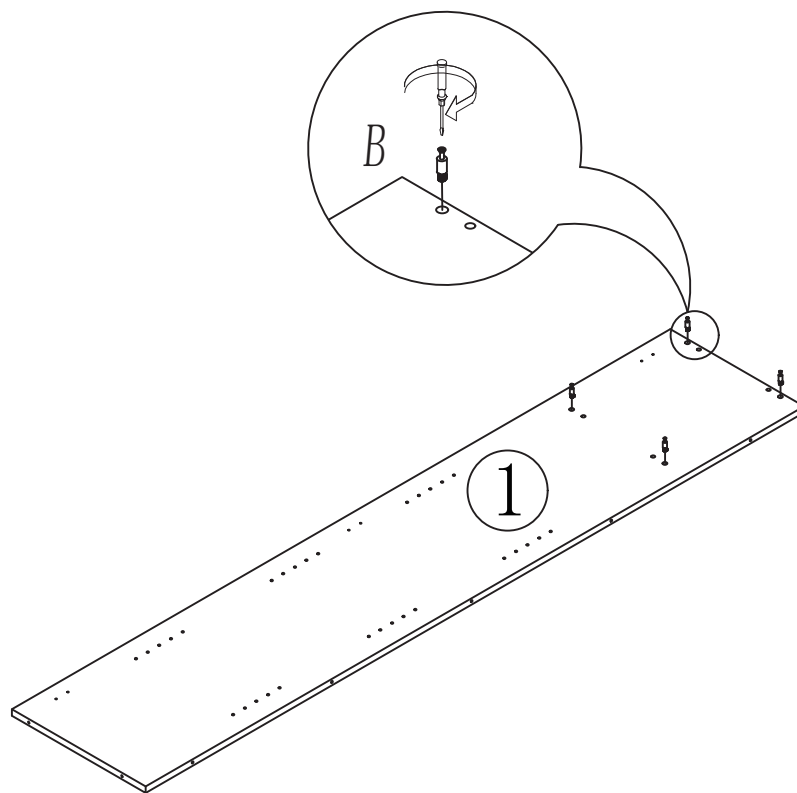
1 PCS

N:Expansion screw
M6*60

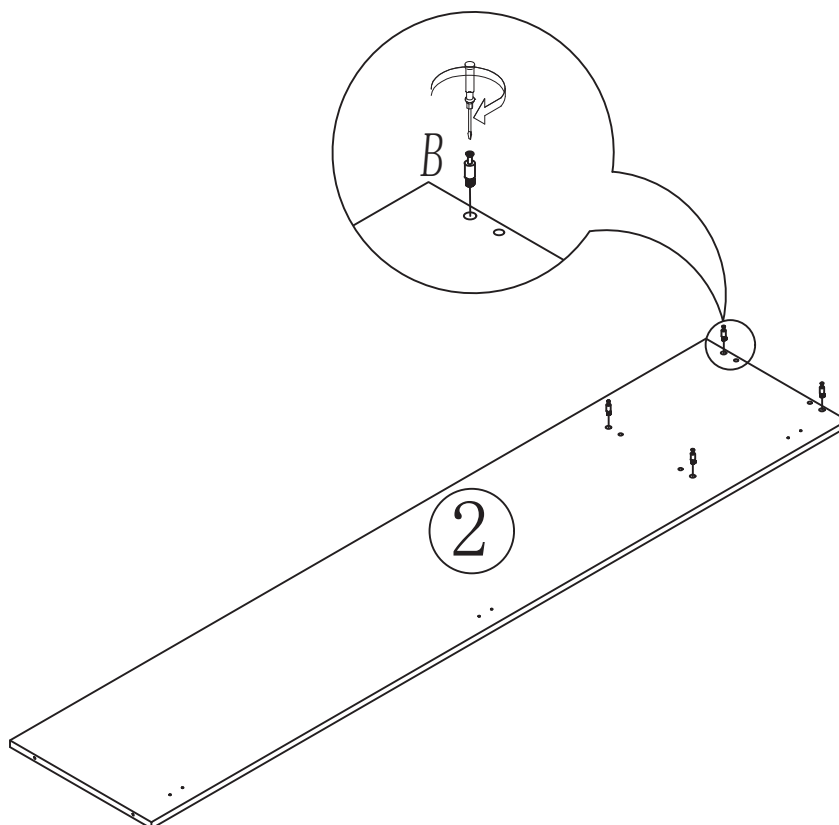


1 PCS

STEP 01

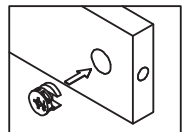
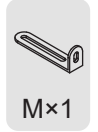
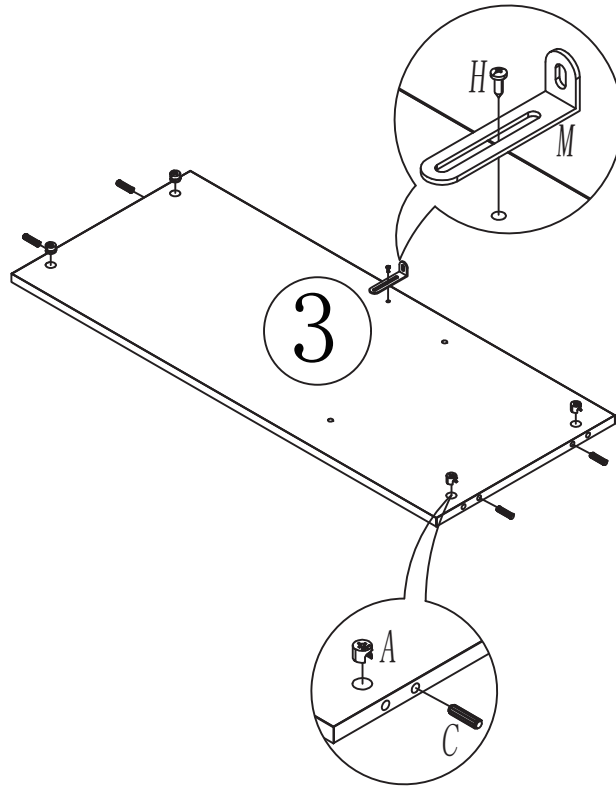


STEP 02



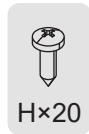
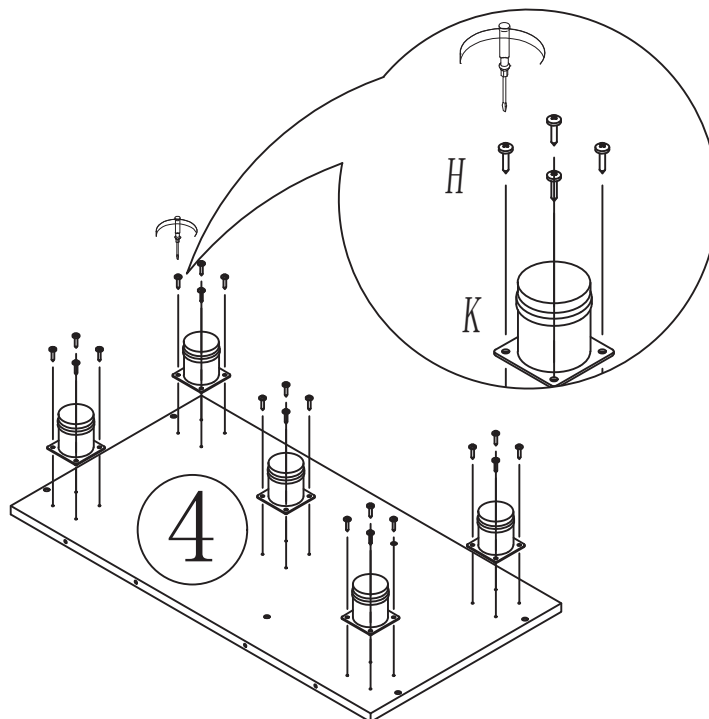
INSTALLATION PREPARATION

STEP 03



Direction of arrow to the side hole

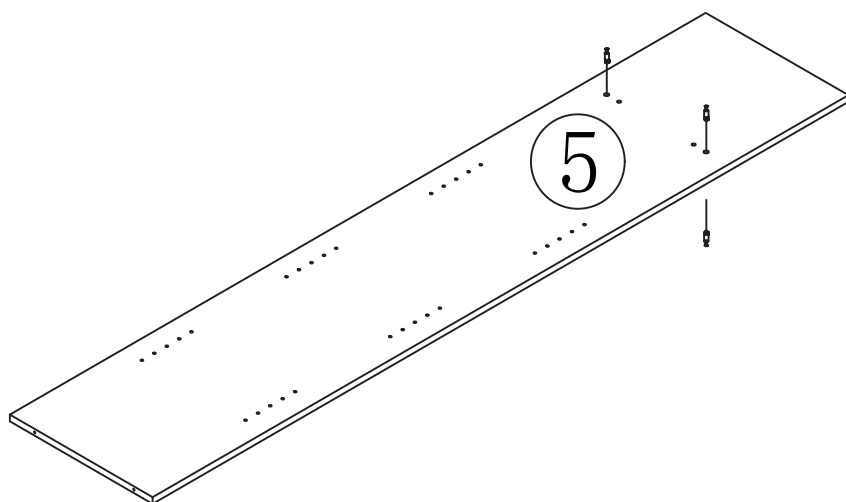
STEP 04



STEP 05



B×4



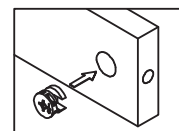
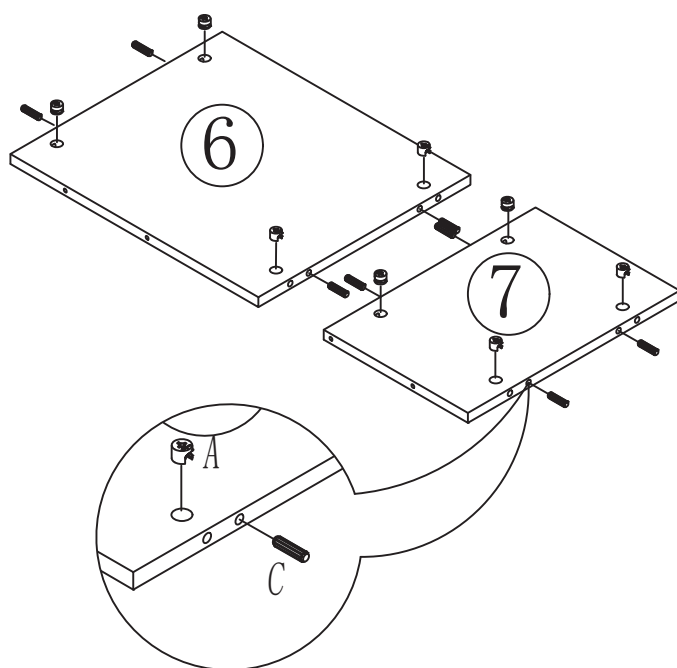
STEP 06



A×8

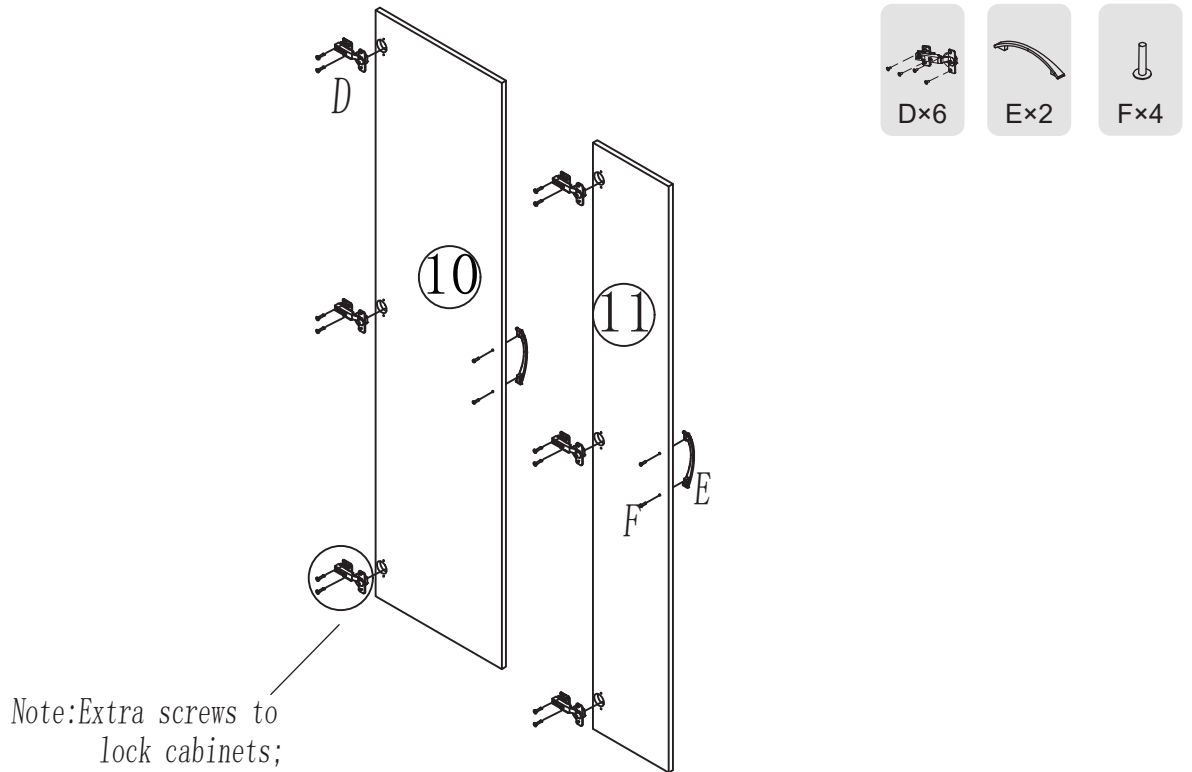


C×8

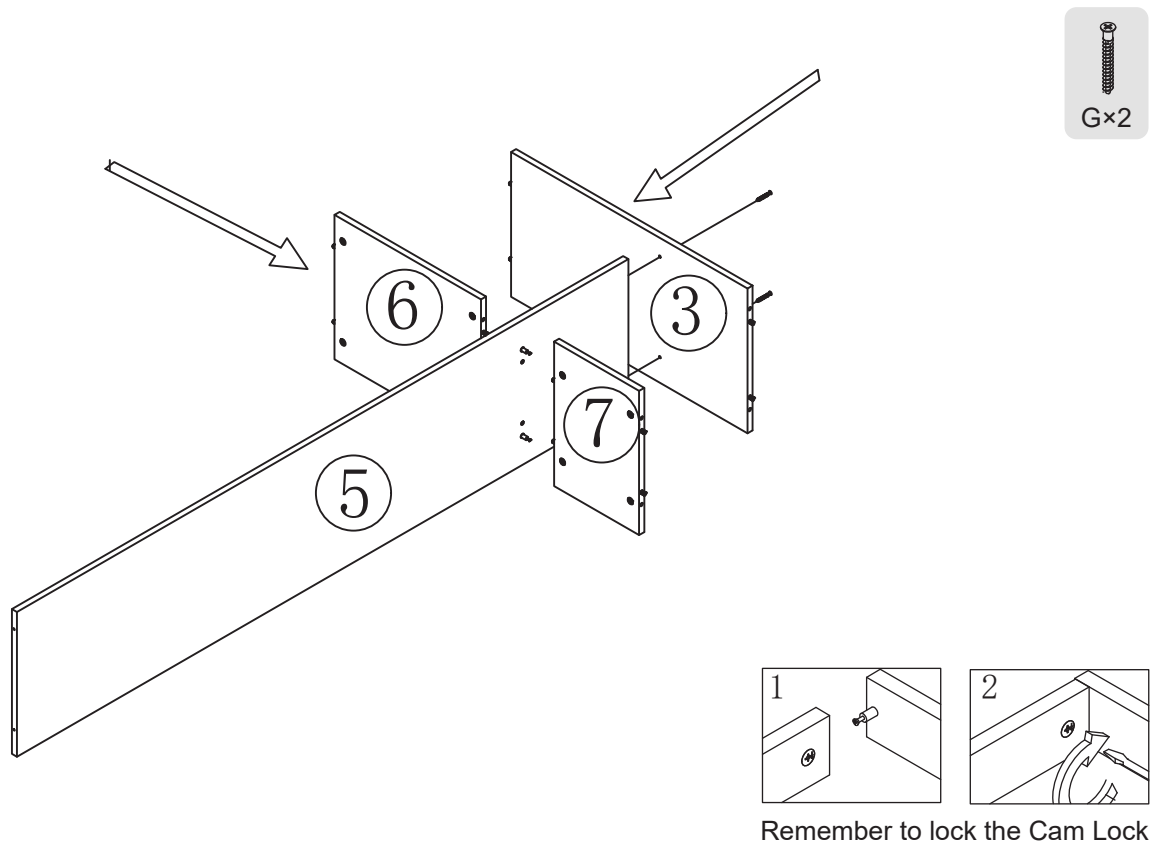


Direction of arrow to the side hole

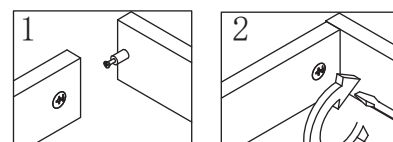
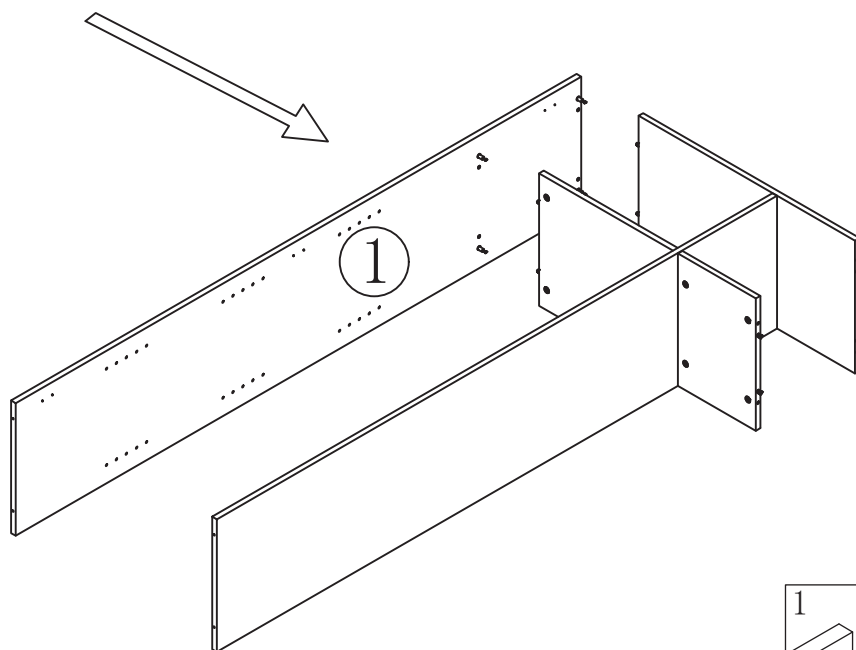
STEP 07



STEP 08

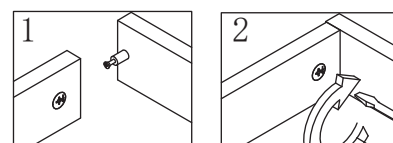
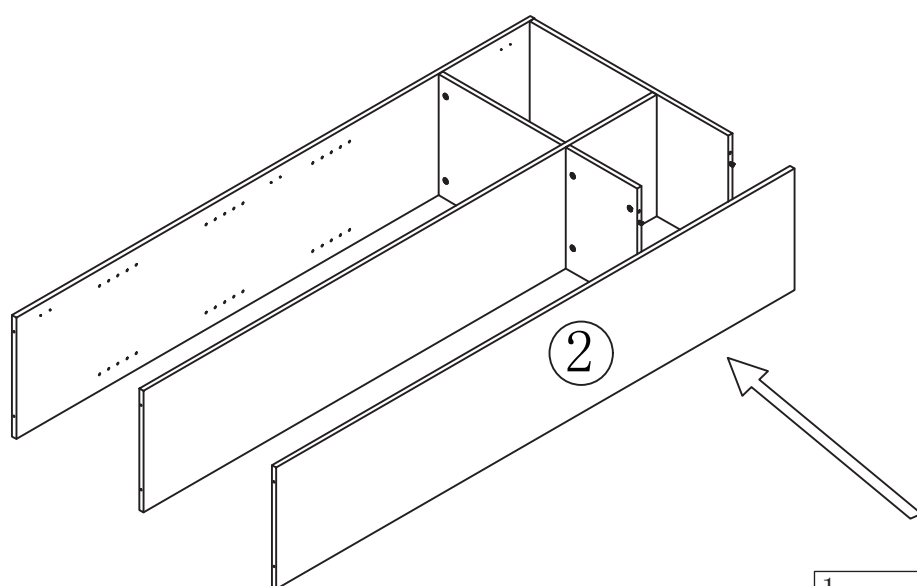


STEP 09



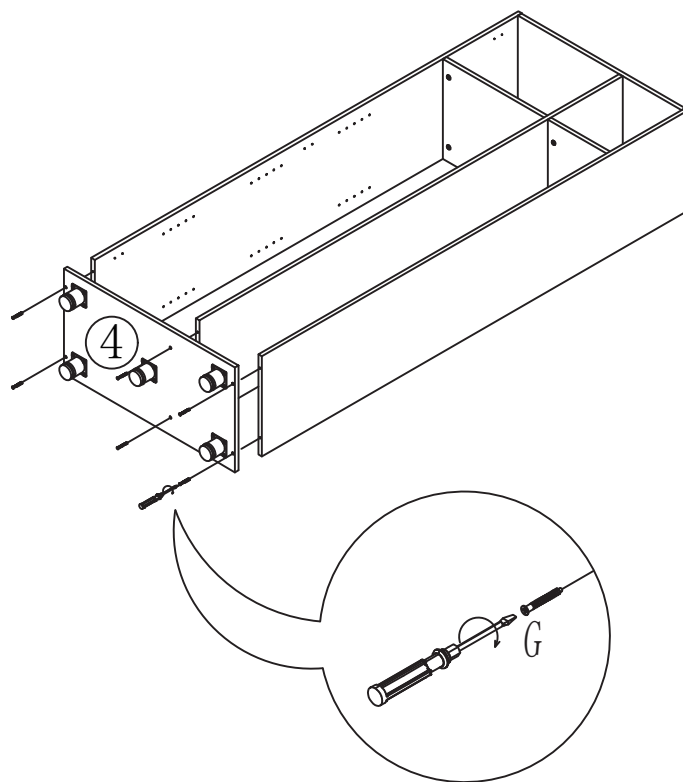
Remember to lock the Cam Lock

STEP 10

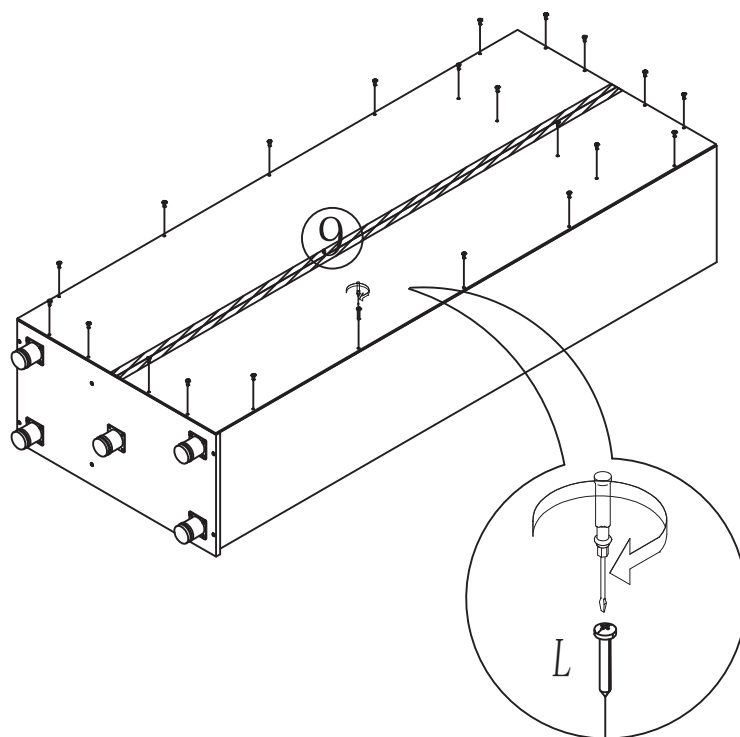


Remember to lock the Cam Lock

STEP 11

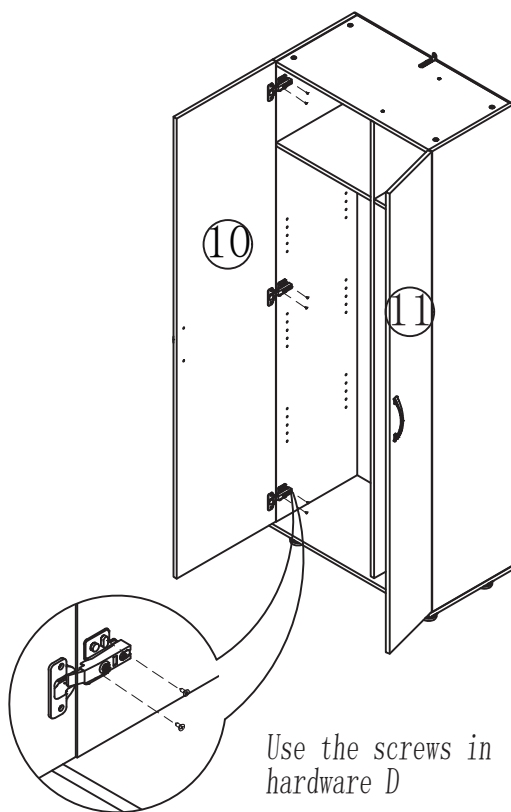


STEP 12

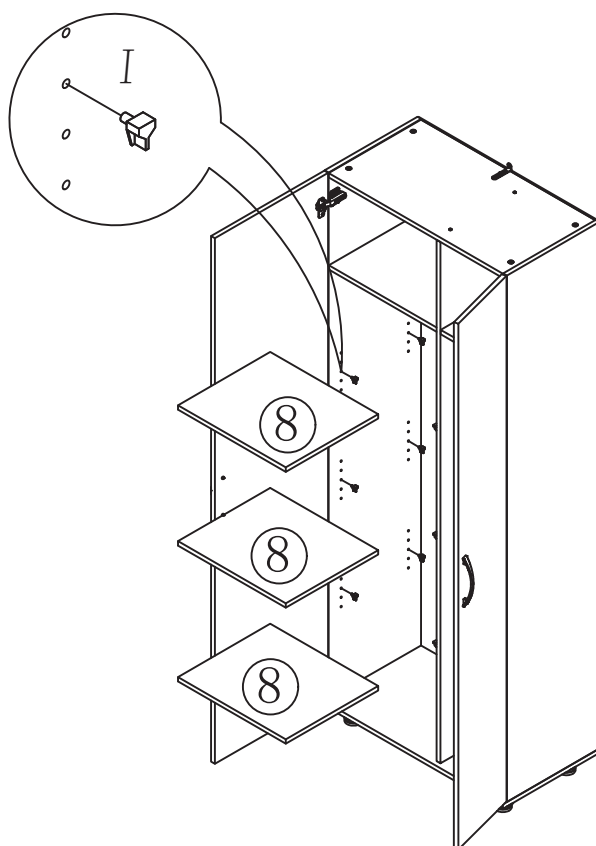


Note: Unfold the back panel.

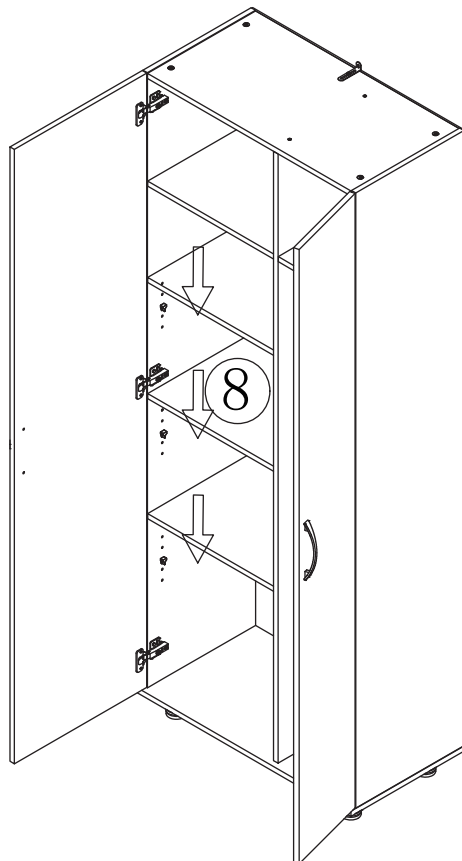
STEP 13



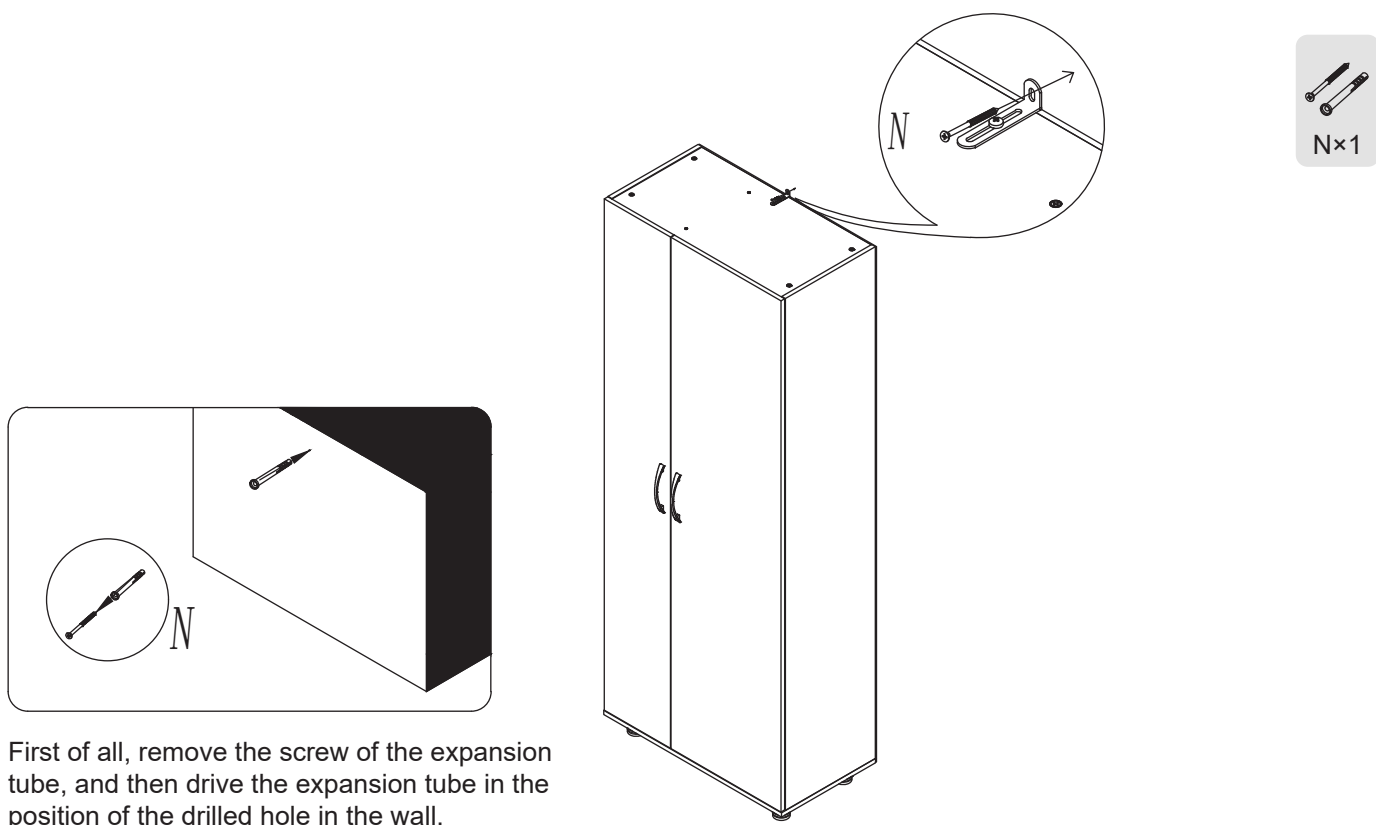
STEP 14



STEP 15



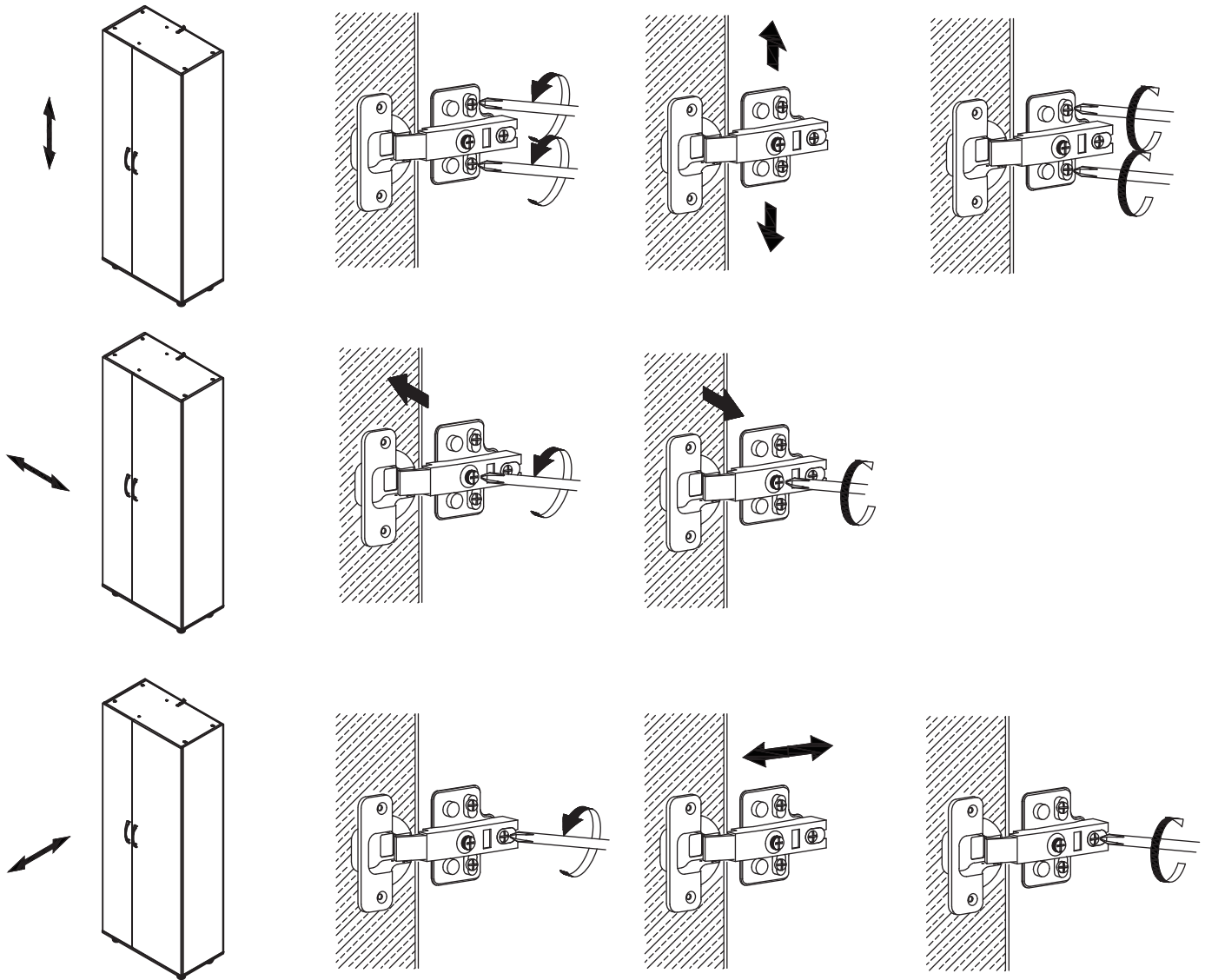
STEP 16



First of all, remove the screw of the expansion tube, and then drive the expansion tube in the position of the drilled hole in the wall.

INSTALLATION PREPARATION

If there is misalignment after you install, adjust the screw to the best condition.



Thank you for your recent order.

We strive to provide customers with great services and satisfaction.

If any questions, please contact us.

Our customer support team is ready to help!