

# WARNING!!

Children have died from furniture tipover. Tip restraints have been included with this product; you must install the tip restraints according to these instructions in order to minimize the risk of furniture tipping.

NEVER allow children to climb or hang on furniture, including drawers or cabinet doors.

In addition to installing the restrains, to help prevent tip-over











1. NEVER put a TV or other heavy objects on top of this product".
2. Do not stand on the product

 <b>WARNING</b>	
	<p><b>Children have died from furniture tipover. To reduce the risk of furniture tipover:</b></p> <ul style="list-style-type: none"><li>-ALWAYS install anti-tip device provided.</li><li>-NEVER put a TV on this product.</li><li>-NEVER allow children to stand, climb, or hang on any drawers, doors, or shelves.</li><li>-NEVER open more than one drawer at a time.</li><li>-Place heaviest items in the lowest drawers.</li></ul>
	<p><i>This is a permanent label. Do not remove!</i></p>

# Assembly Instructions

**Caution : You must read this before you proceed**

## **Care & Maintenance**

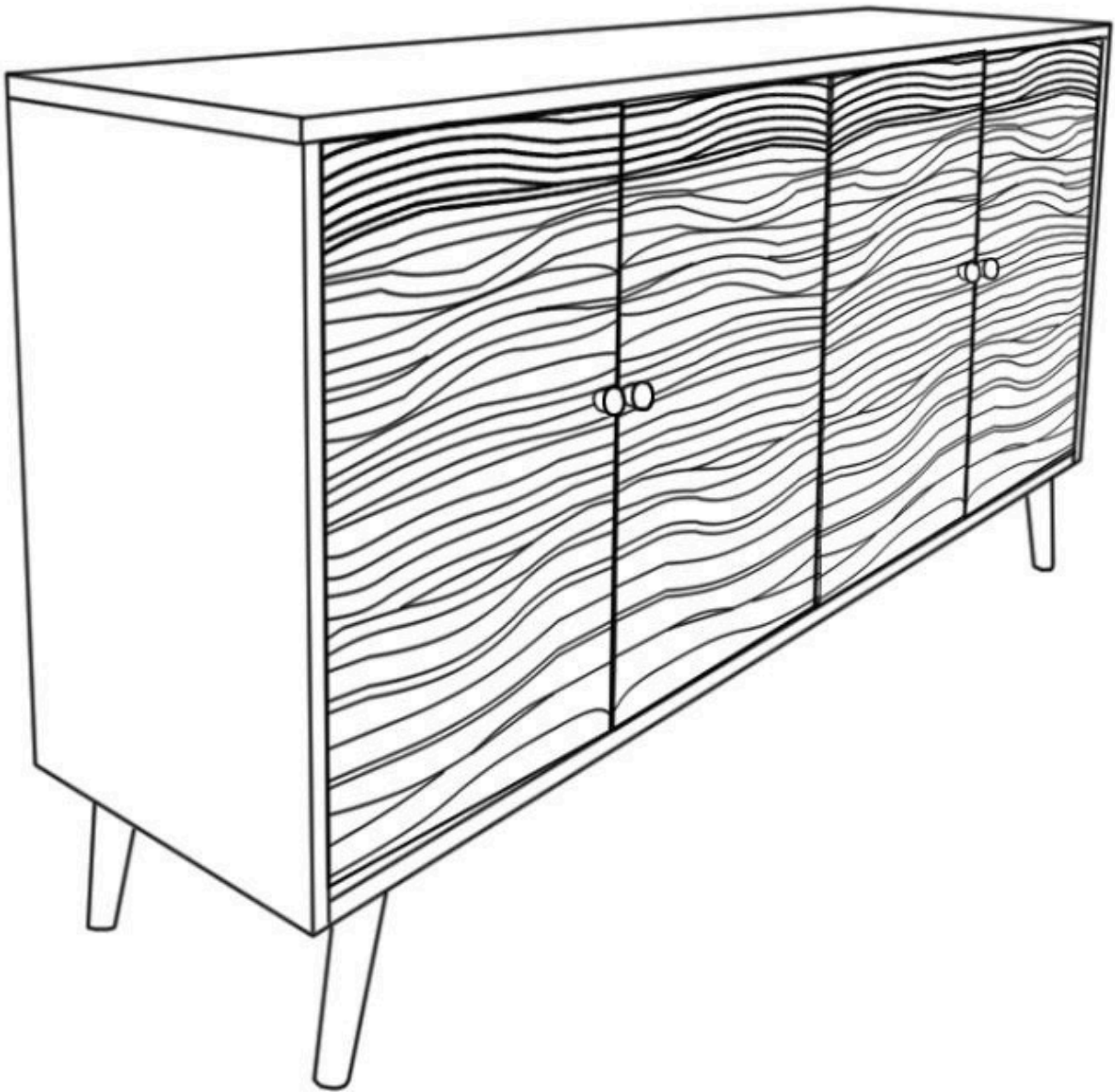
- ⊘  • Not for commercial use. For residential use only.
- ✓  • Furniture may scratch floors. We recommend using furniture pads to protect your floors.
- ⊘  • Do not put hot items directly on furniture surface.
- ⊘  • Do not clean furniture with harsh cleansers or polish.
- ⊘  • Do not place furniture under direct sunlight.
- ⊘  • Do not place furniture near heating or cooling vents.
- ⊘  • Do not write on furniture without a padded barrier to protect the surface.
- ⊘  • Do not place furniture outside . For indoor use only.
- ⊘  • Stains may be removed with mild soap solution and damp cloth.
- ⊘  • Children should not climb or jump on the furniture.






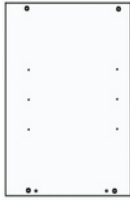


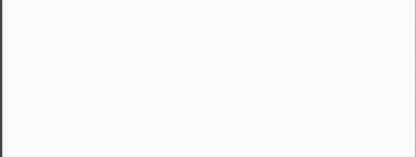
- Dust and pick-up spills using a clean, non-colored, lint-free cloth.

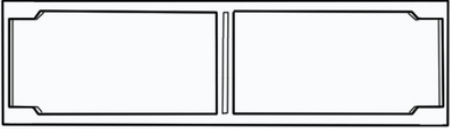

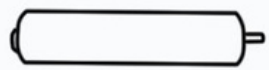



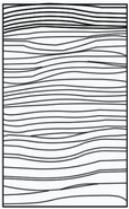

Please look in carton for hardware packs and legs.

Sideboard







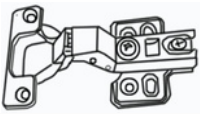


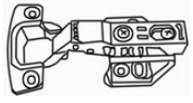

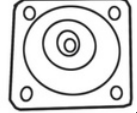







# Parts List

Label	Picture	Description	QTY
A		Top Panel	1
B		Right Side Board	1
C		Middle Clapboard	1
D		Left Side Board	1
E		Back board of the top	2
F		Slot	2
G		Back board of the top	2

H		Bottom panel	1
I		Foot of edge	4
J		Middle foot	1
K		Shelf Board	2
L		Left door	1
M		Middle door 1	1
N		Middle door 2	1
O		Right door	1

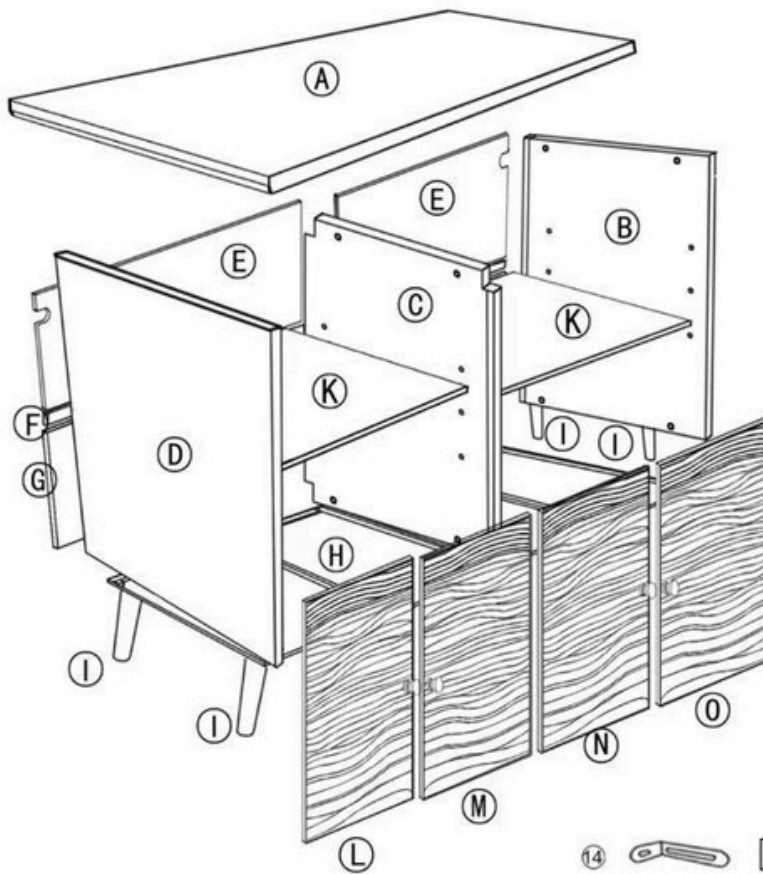
Hardware

Label	Picture	Description	QTY
①		Wood Tenon	4
②		Long Bolt (M6*35mm)	12+1
③		Flat Washer	12+1
④		Allen Wrench	1
⑤		Shelf support pin	8+1
⑥		Screw (M4*16mm)	48+2
⑦		Curved Door hinge	4
⑧		Bolt (M4*25mm)	4
⑨		Handle	4
⑩		Straight Door hinge	4
⑪		Iron sheet of the middle foot	1
⑫		Iron sheet of the edgefoot	4
⑬		Screw (M4*20mm)	20+1
Tipover Restraint Device Hardware			

⑭		Anti-Tipping sheet iron	2
⑮		Expansion screw	2
⑯		Screw (M4*30mm)	2
⑰		Screw ( M4*14mm)	2

# Assembly Preparation

Before Beginning Assembly :



①		X4	
②		X12+1	
③		X12+1	
④		X1	
⑤		X8+1	
⑥		X48+2	
⑦		X4	
⑧		X4	
⑨		X4	
⑩		X4	
⑪		X1	
⑫		X4	
⑬		X20+1	
⑭		X2	
⑮		X2	
⑯		X2	
⑰		X2	



• Read instructions, cover to cover-



• Have 2 adults on hand for assembly-



• Do not assemble on flooring or carpet-



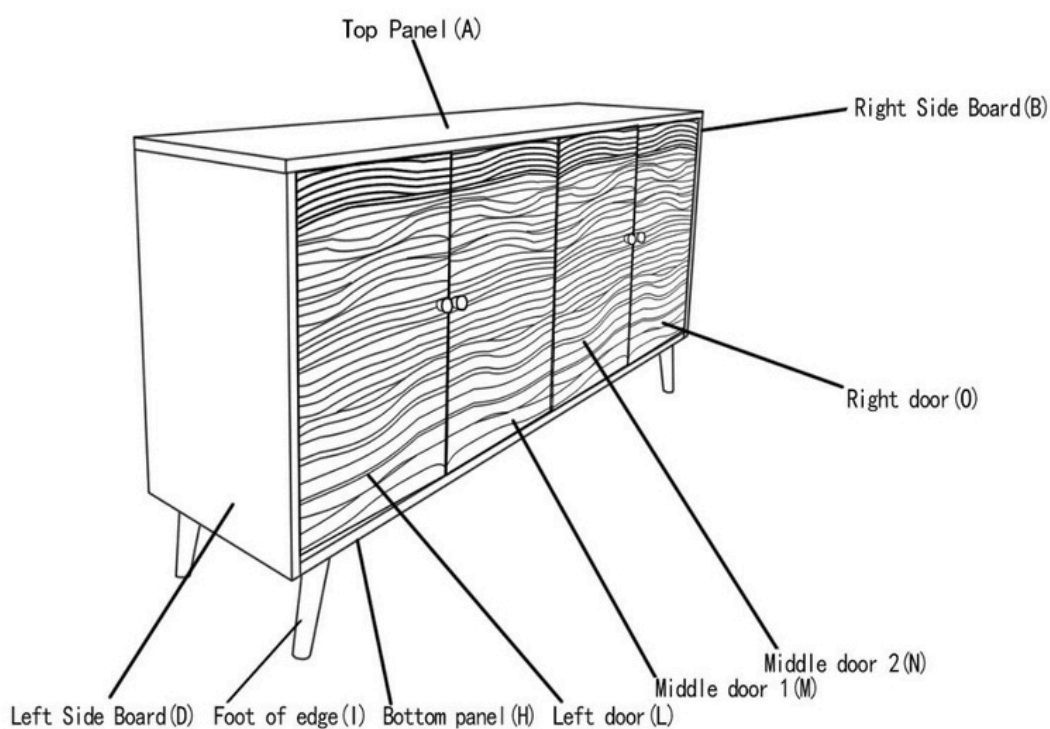
• Assemble on a clean non-marring surface (packing foam)-



• Save all packaging until finished-

# Assembly Steps

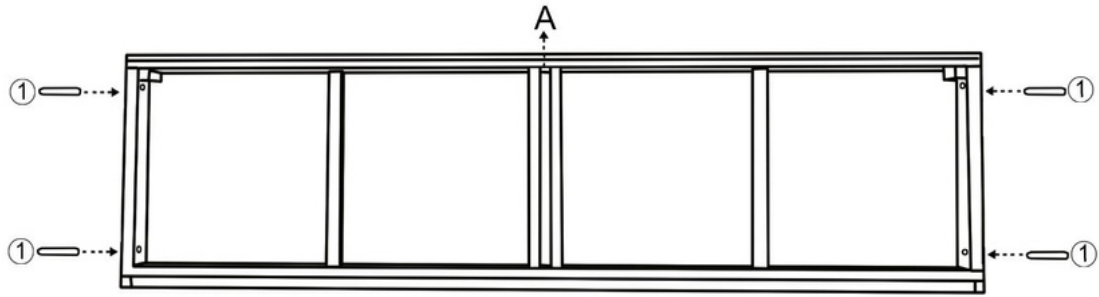
## Overview



Front Facing

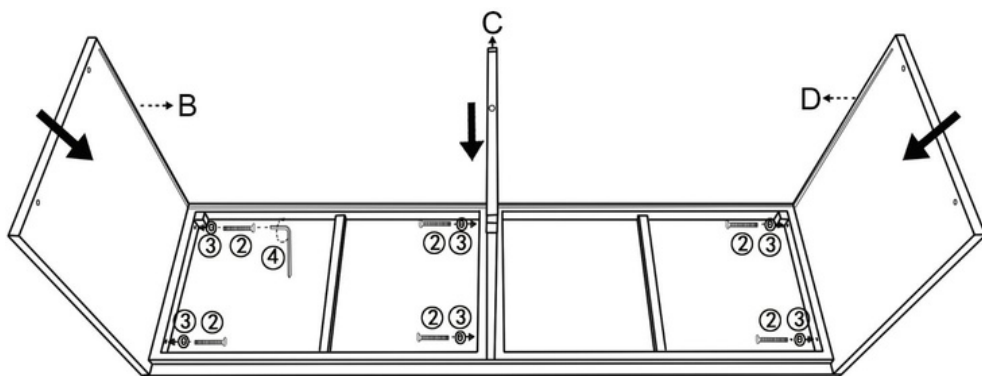
This Sideboard has multiple parts and may require up to 45 minutes to assemble. To give you an overview of the sideboard parts, the above picture is to help you put the various parts into perspective. Please read through the instructions below to familiarise yourself with the parts and steps before assembly.

### Step 1



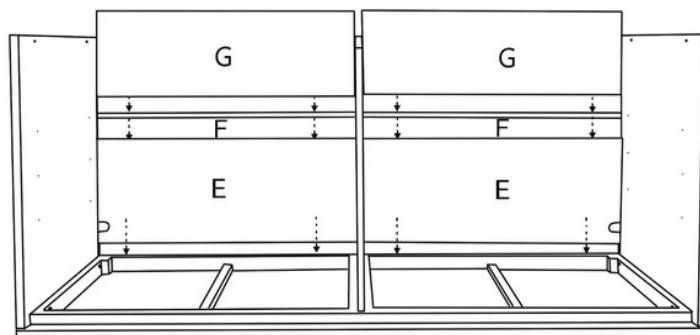
Install the Wooden Tenons(①) into the sides of the Top Panel (A) as picture above.

### Step 2



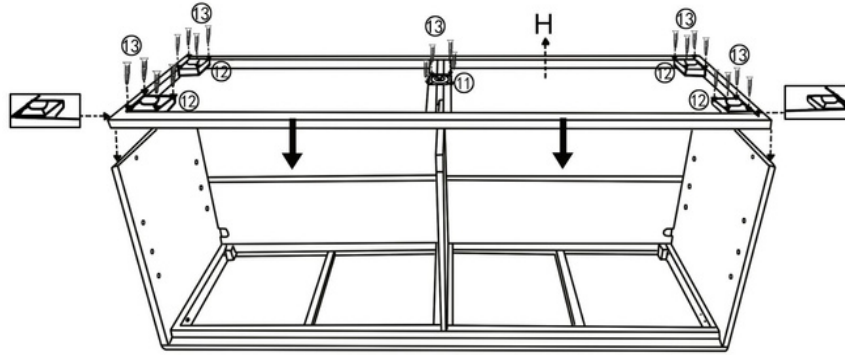
Attach the right side board(B), left side board(D) and middle clapboard (C) to the top panel(A), use long bolt(②)and flat washer(③) align with board hole position. Allen wrench (④) is used to assist rotation tightening. ATTENTION: All the grooves must be stay in one side(backside).The short distance from the edge to the hole is upside for middle clapboard(C).

### Step 3



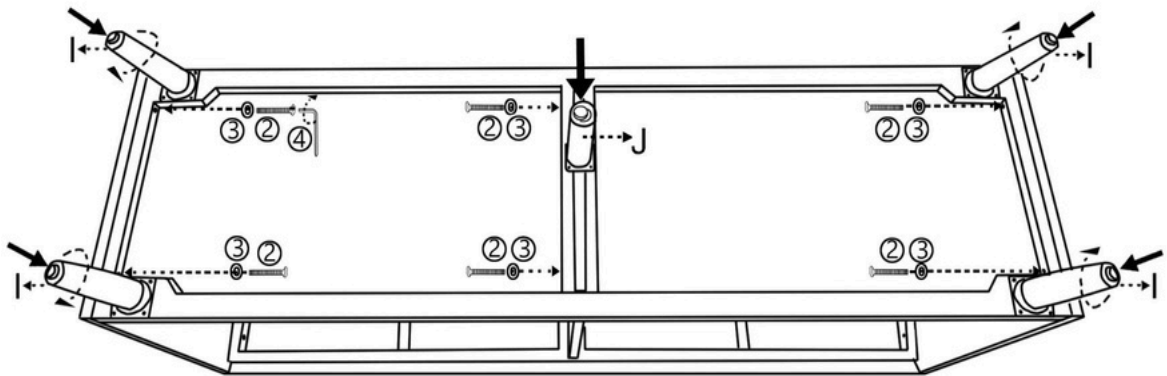
Insert the back board of the top(E), slot(F) and the back board of the bottom(G) to the grooves.

### Step 4



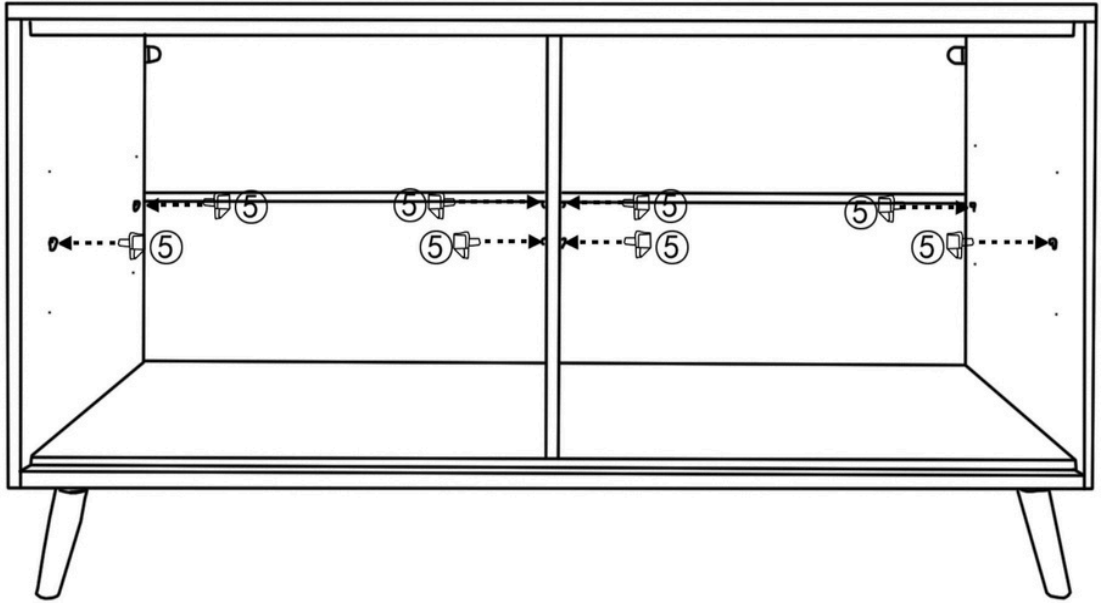
Install the bottom panel(H) as the above picture, then install iron sheet of the middle foot(①①) and iron sheet of the edge foot( ①②) with screw (①③)  
ATTENTION: The thicker part of iron sheet of the edge foot(①②) is facing inward as picture.

### Step 5



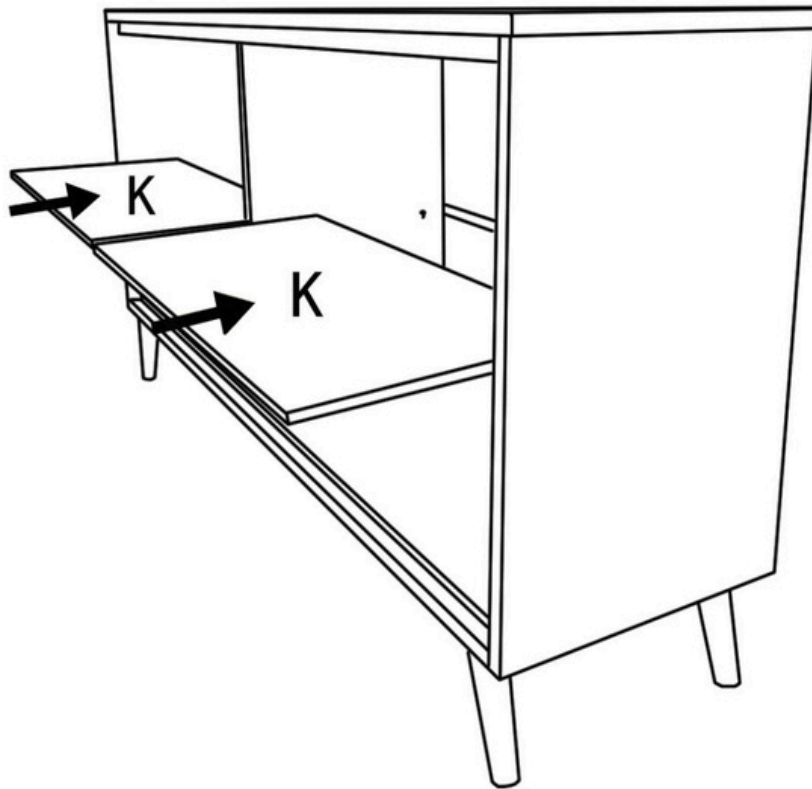
Use long bolt(②)and flat washer(③) align with board hole position to fix the bottom panel(H); Insert the foot of edge(I) and the middle foot(J) into the hole of bottom panel(H) as the picture and rotate to tighten them.

Step 6



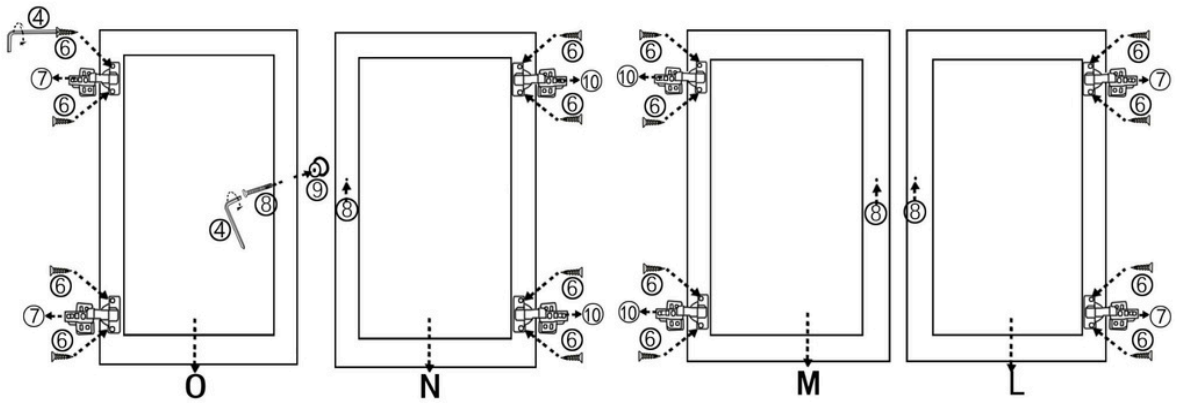
Stand the mounted sideboard up, and insert shelf support pin(⑤) into each panel hole.

Step 7



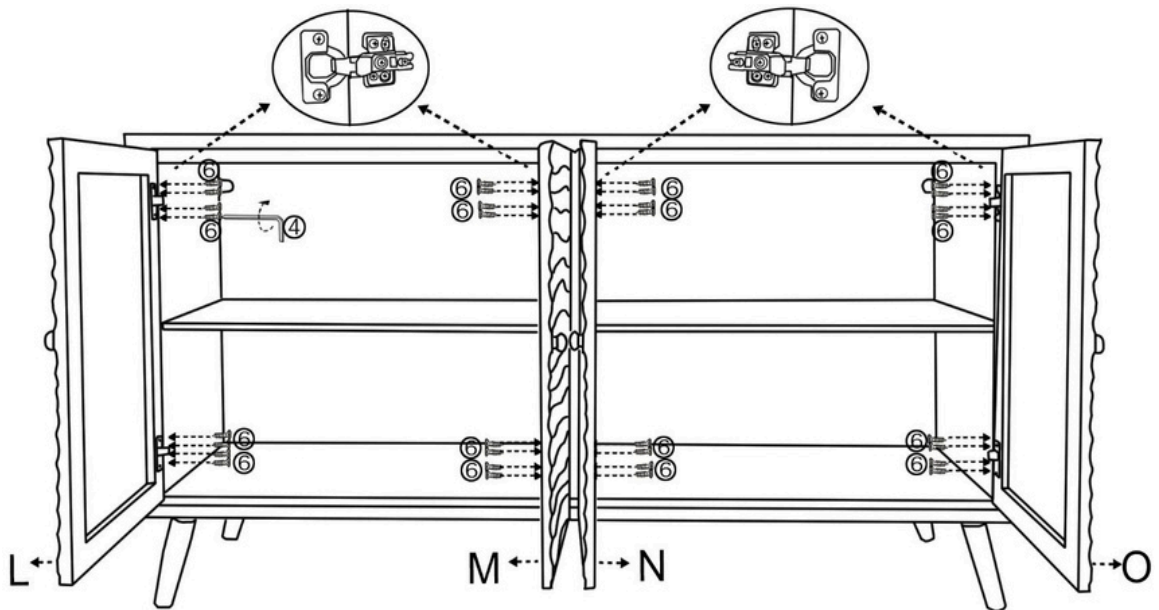
Put the Shelf Board(K) on the shelf support pin(⑤).

## Step 8



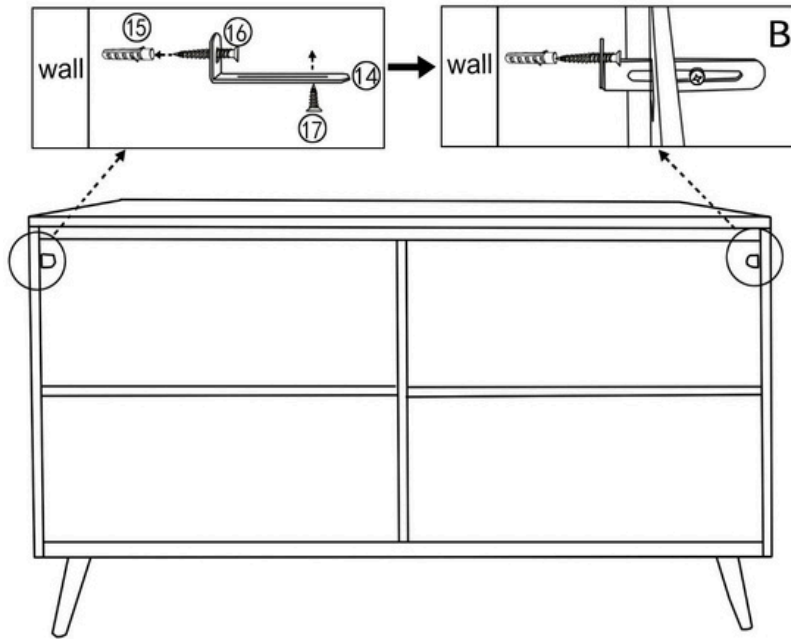
Install the connecting curved door hinge(7) on the hole side of the left door(L) and right door (O), and the straight door hinge(10) on the hole side of the middle door 1(M) and middle door 2(N) with screw(6). Install the handle(9) on the front of doors' predrilled hole position with bolt(8).

## Step 9



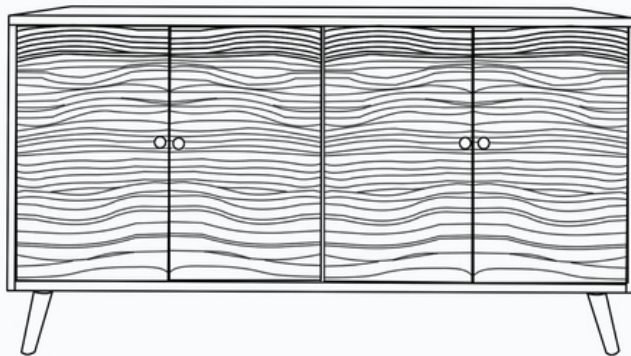
As shown on the order of picture, use the screw(6) to connect the curved door hinge(7) and the straight door hinge(10) to the sideboard body.

**Step 10**



Align with the pre-drilled hole on the back board of the top(E), screw the expansion screw (15) into the wall. Install the short side of Anti-Tipping sheet iron(14) on the wall with screw(16), then using the long side of Anti-tipping sheet iron (14) connected to the inside of the right side board(B) and left side board(D) by screw(17)

**Step 11**



The sideboard is ready for use.  
This cabinet can only be used on flat and level surface.

## Questions & Answers about Proposition 65

- What is Proposition 65?

Proposition 65 requires businesses to provide warnings to Californians about significant exposures to chemicals that cause cancer, birth defects or other reproductive harm. These chemicals can be in the products that Californians purchase, in their homes or workplaces, or that are released into the environment. By requiring that this information be provided, Proposition 65 enables Californians to make informed decisions about their exposures to these chemicals. Proposition 65 also prohibits California businesses from knowingly discharging significant amounts of listed chemicals into sources of drinking water. Proposition 65 requires California to publish a list of chemicals known to cause cancer, birth defects or other reproductive harm. This list, which must be updated at least once a year, has grown to include approximately 900 chemicals since it was first published in 1987.

- What types of chemicals are on the Proposition 65 list?

The list contains a wide range of naturally occurring and synthetic chemicals that include additives or ingredients in pesticides, common household products, food, drugs, dyes, or solvents. Listed chemicals may also be used in manufacturing and construction, or they may be byproducts of chemical processes, such as motor vehicle exhaust.

- What does a warning mean?

If a warning is placed on a product label or posted or distributed at a workplace, a business, or in rental housing, the business issuing the warning is aware or believes that it is exposing individuals to one or more listed chemicals. By law, a warning must be given for listed chemicals unless the exposure is low enough to pose no significant risk of cancer or is significantly below levels observed to cause birth defects or other reproductive harm.