

ASSEMBLY INSTRUCTIONS



Fine Furniture for every stage of life

Mirror

REVISION 0 : 11/26/2013
REVISION 1 : 09/07/2018
REVISION 2 : 01/02/2019
REVISION 3 : 07/05/2019

PAGE 1 OF 4

ASSEMBLY INSTRUCTIONS

ASSEMBLY TIPS:

1. Remove hardware from box and sort by size.
2. Please check to see that all hardware and parts are present prior to start of assembly.
3. Please follow attached instructions in the same sequence as numbered to assure fast & easy assembly.



WARNING!

1. Don't attempt to repair or modify parts that are broken or defective. Please contact the store immediately.
2. This product is for home use only and not intended for commercial establishments.



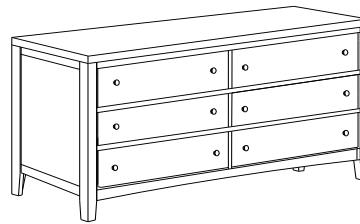
ASSEMBLY TIME

10 MINUTES

PARTS IDENTIFICATION

A

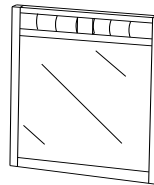
DRESSER
FROM BOX



1PC

B

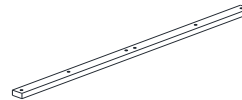
MIRROR



1PC

C

MIRROR SUPPORT
(PACK WITH DRESSER)



2PCS

HARDWARE IDENTIFICATION

1

FLAT HEAD SCREW
(M4 x 32mm - RBW)



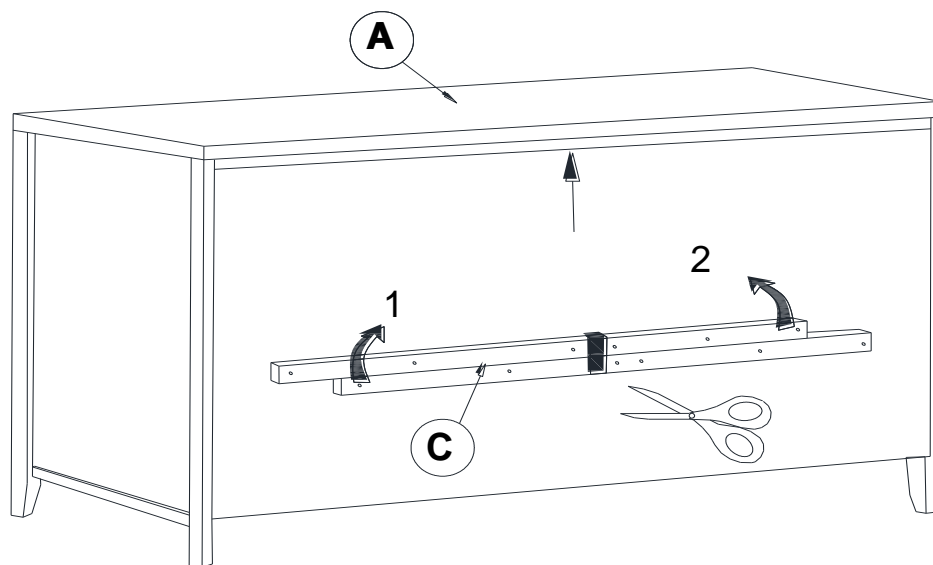
10PCS

NOTE:

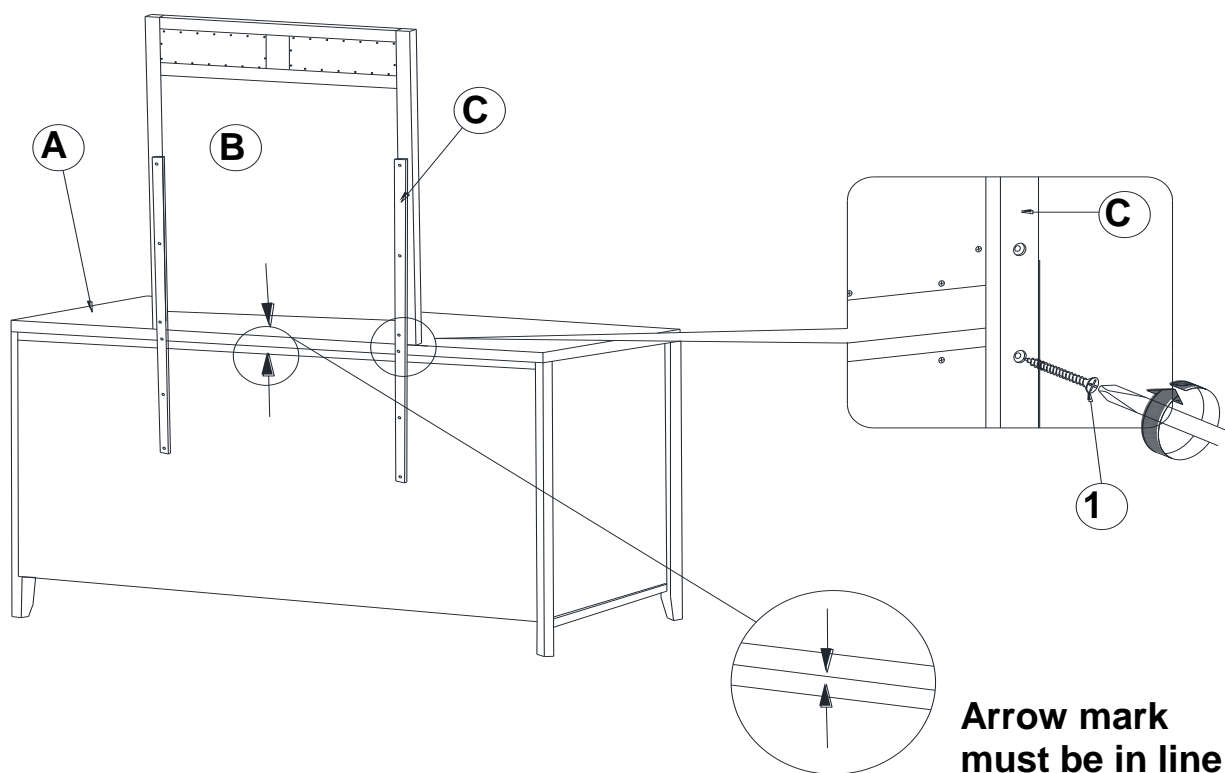
Phillips head screw driver is required in the assembly process; however, manufacturer does not provide this item.

ASSEMBLY INSTRUCTIONS

STEP 1



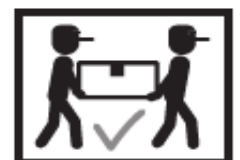
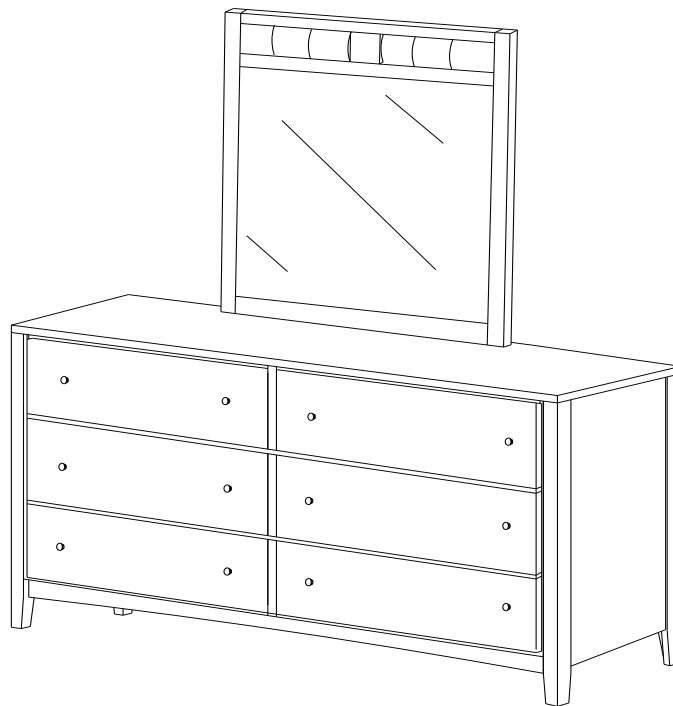
STEP 2



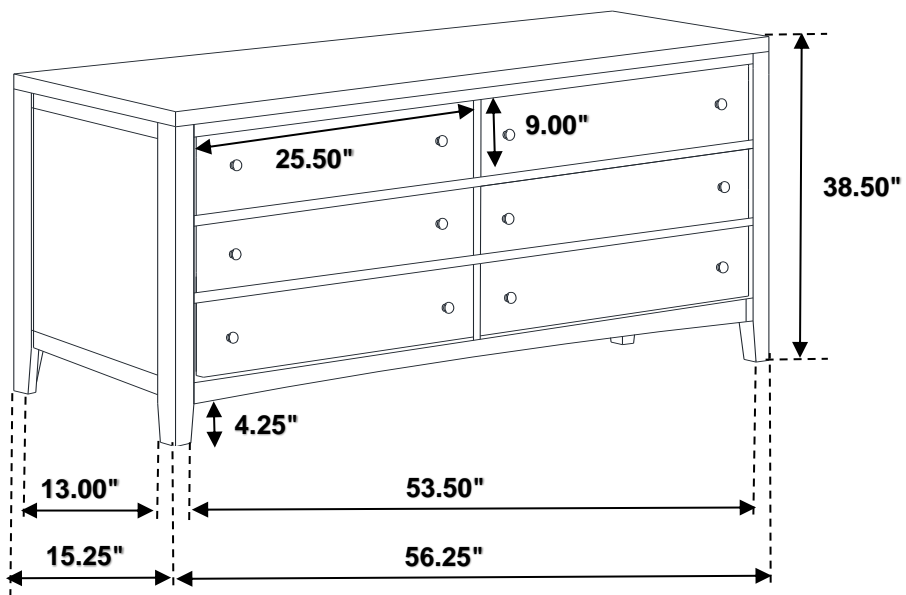
ASSEMBLY INSTRUCTIONS

STEP 3

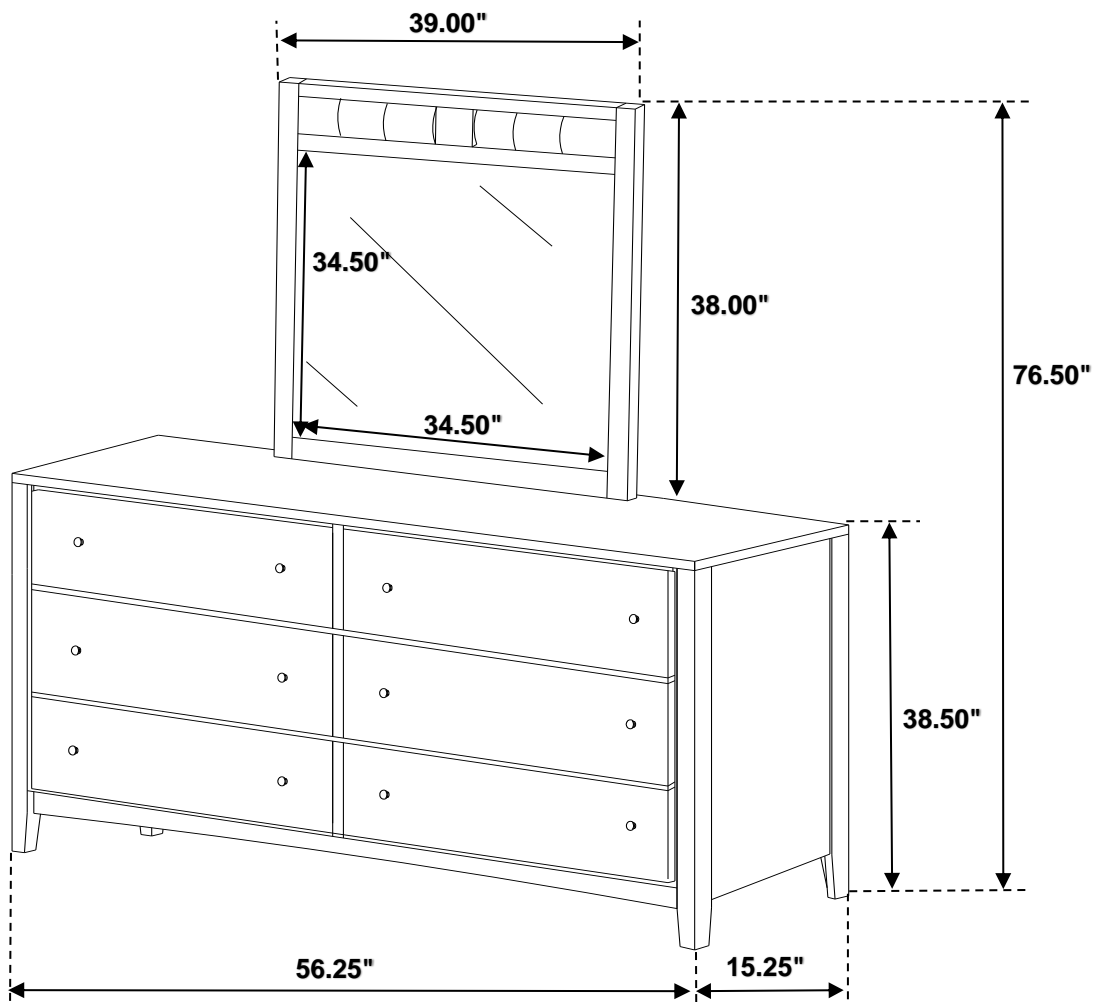
COMPLETE



Inner Size of Drawer : 23.00"W X 12.50"D X 5.25"H x 0.25"T



Note: Dimension tolerance $\pm 5\%$



Note : Dimension tolerance $\pm 5\%$